



US00D936427S

(12) **United States Design Patent**  
**Elkhatib**

(10) **Patent No.:** **US D936,427 S**

(45) **Date of Patent:** **\*\* Nov. 23, 2021**

(54) **HEALTHCARE PLATE**

D859,929 S \* 9/2019 De Oliveira ..... D7/587  
D871,157 S \* 12/2019 Redjal ..... D7/584

(71) Applicant: **International Tableware, Inc.**, Toledo, OH (US)

\* cited by examiner

(72) Inventor: **Mouin B. Elkhatib**, Toledo, OH (US)

*Primary Examiner* — Charles D Hanson

(73) Assignee: **INTERNATIONAL TABLEWARE INC.**, Toledo, OH (US)

(74) *Attorney, Agent, or Firm* — Michael E. Dockins; Shumaker, Loop & Kendrick, LLP

(\*\*) Term: **15 Years**

(57) **CLAIM**

The ornamental design for healthcare plate, as shown and described.

(21) Appl. No.: **29/686,628**

**DESCRIPTION**

(22) Filed: **Apr. 5, 2019**

(51) **LOC (13) Cl.** ..... **07-02**

(52) **U.S. Cl.**

USPC ..... **D7/586**

(58) **Field of Classification Search**

USPC ..... D7/586, 587

CPC ..... A47G 19/025; A47G 19/02

See application file for complete search history.

FIG. 1 is a perspective view of a plate according to an embodiment of the invention;

FIG. 2 is a top plan view thereof;

FIG. 3 is a bottom plan view thereof;

FIG. 4 is a front elevational view thereof;

FIG. 5 is a cross-sectional front elevational view taken along line 5-5 of FIG. 2;

FIG. 6 is a perspective view thereof shown in a warmer; and, FIG. 7 is cross-sectional front view of the plate and warmer of FIG. 6.

A rear elevational view, left side elevational view, and right side elevational view of the plate are not shown because such views are identical to the front elevational view shown in FIG. 4.

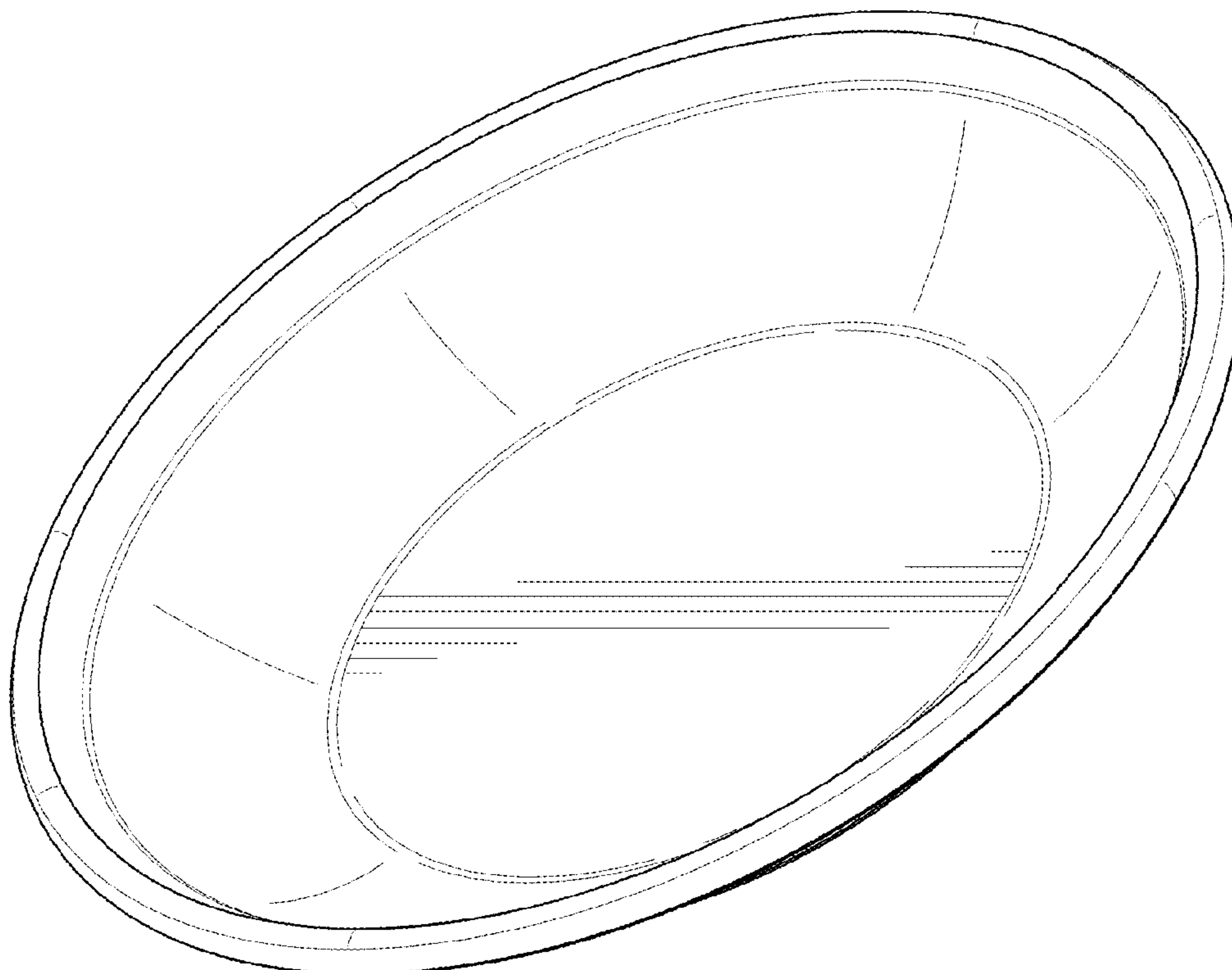
The ornamental design which is claimed is shown in solid lines in the drawings. The broken phantom lines depict unclaimed subject matter only and form no part of the claimed design.

(56) **References Cited**

**U.S. PATENT DOCUMENTS**

- 3,190,486 A \* 6/1965 Rech ..... A47G 19/02 220/574
- D482,574 S \* 11/2003 Mountain ..... D7/586
- D674,657 S \* 1/2013 Fields ..... D7/376
- D738,165 S \* 9/2015 Liu ..... D7/586
- D821,152 S \* 6/2018 Wu ..... D7/584
- D854,888 S \* 7/2019 Arseneau ..... D7/586

**1 Claim, 6 Drawing Sheets**



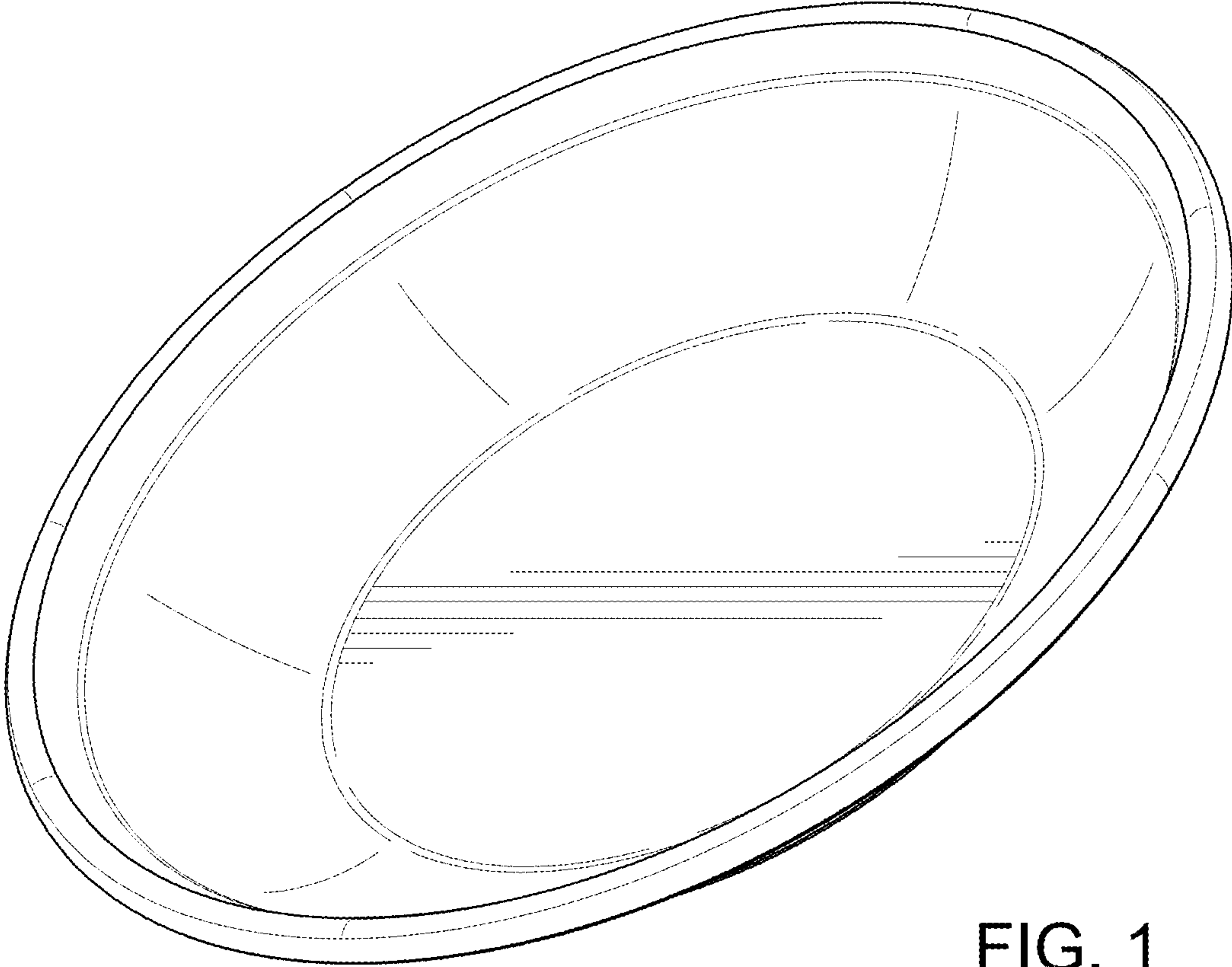


FIG. 1

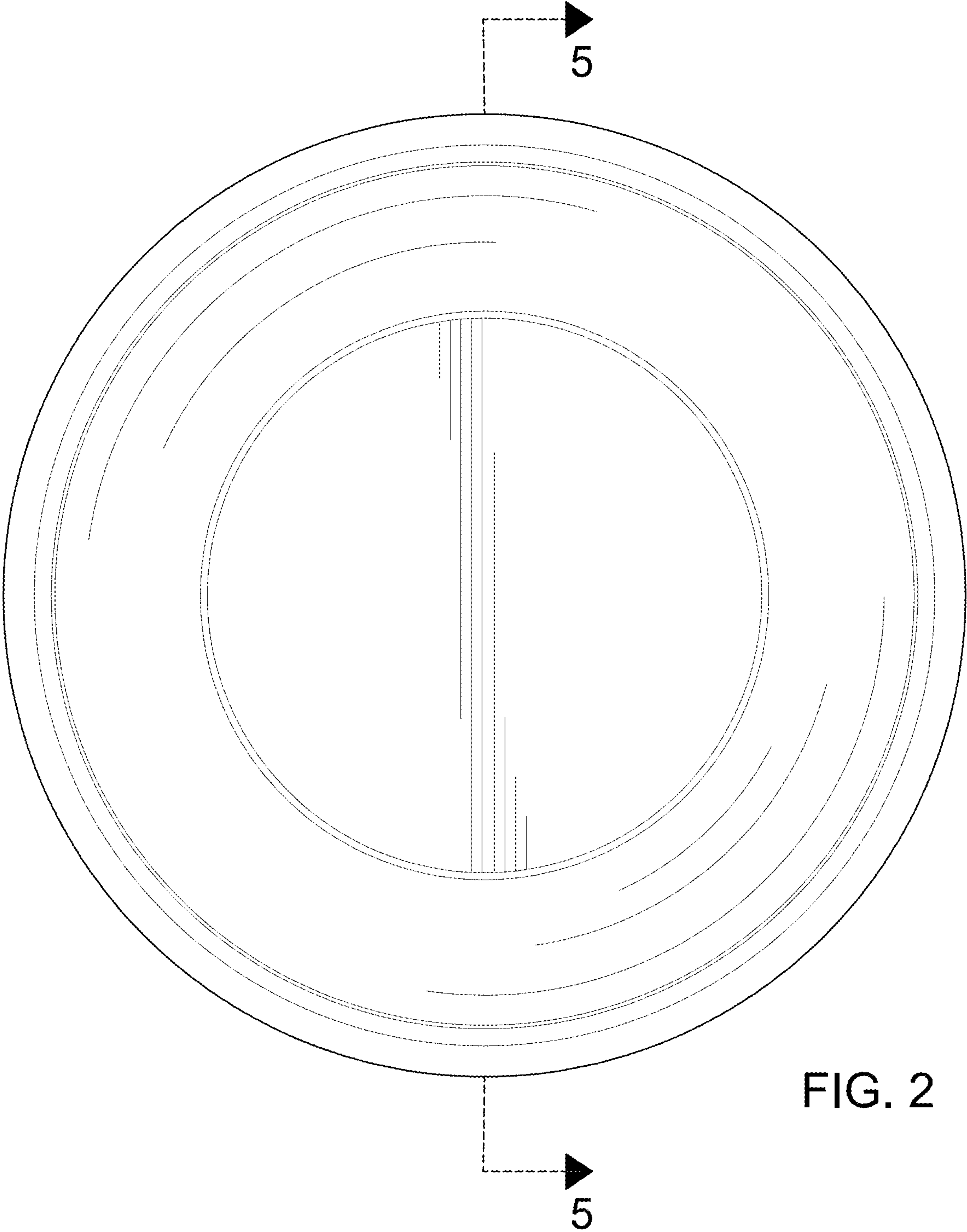


FIG. 2

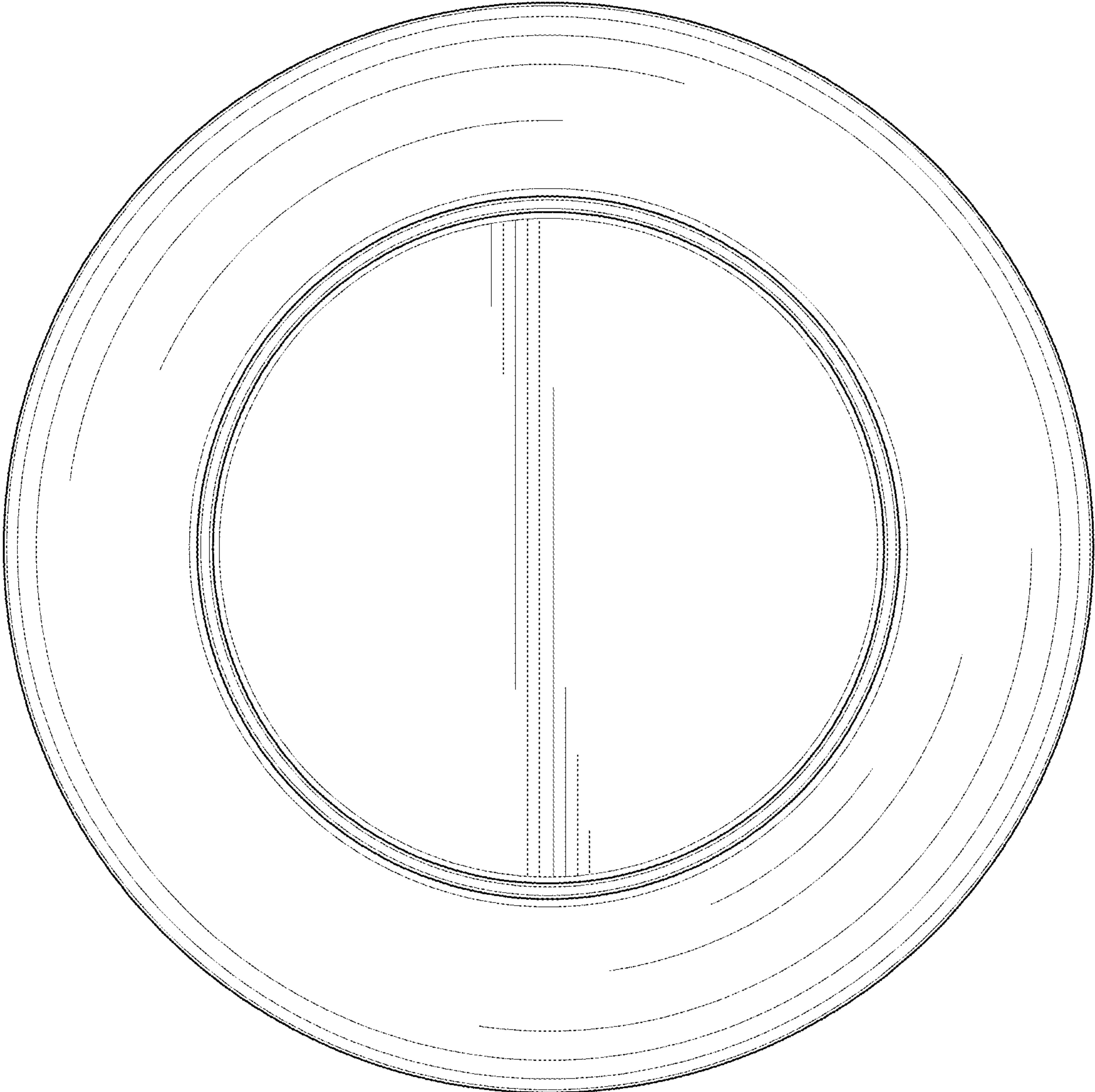


FIG. 3

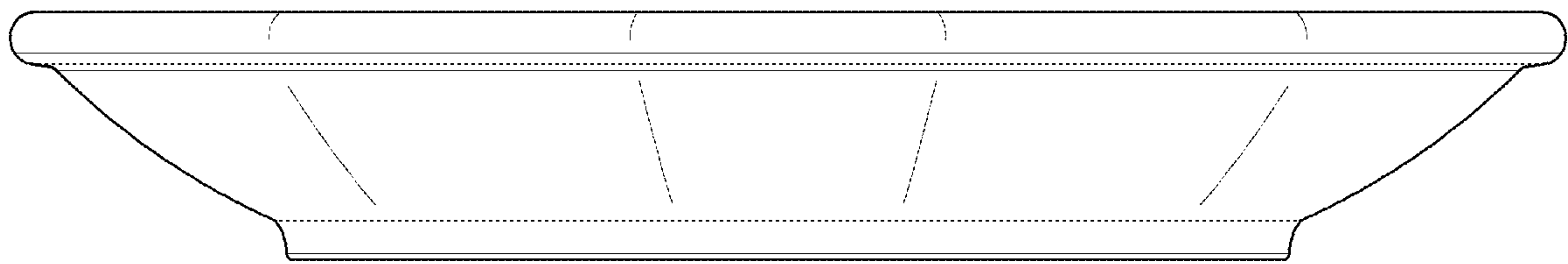


FIG. 4

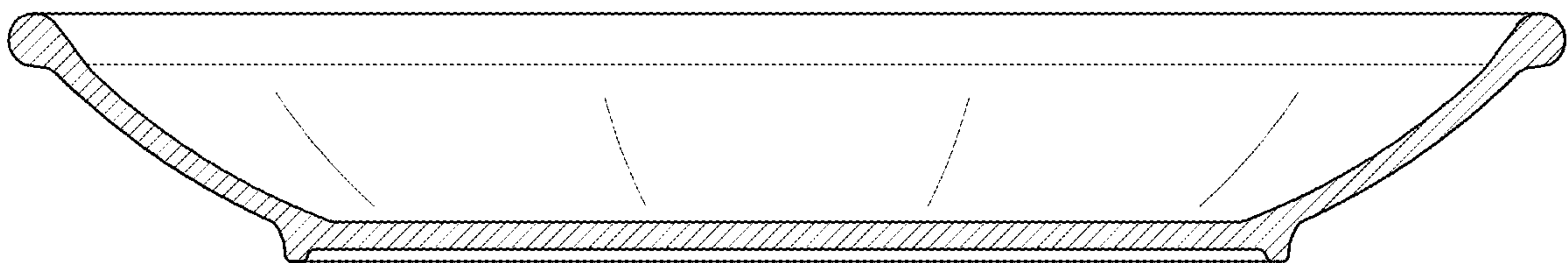


FIG. 5



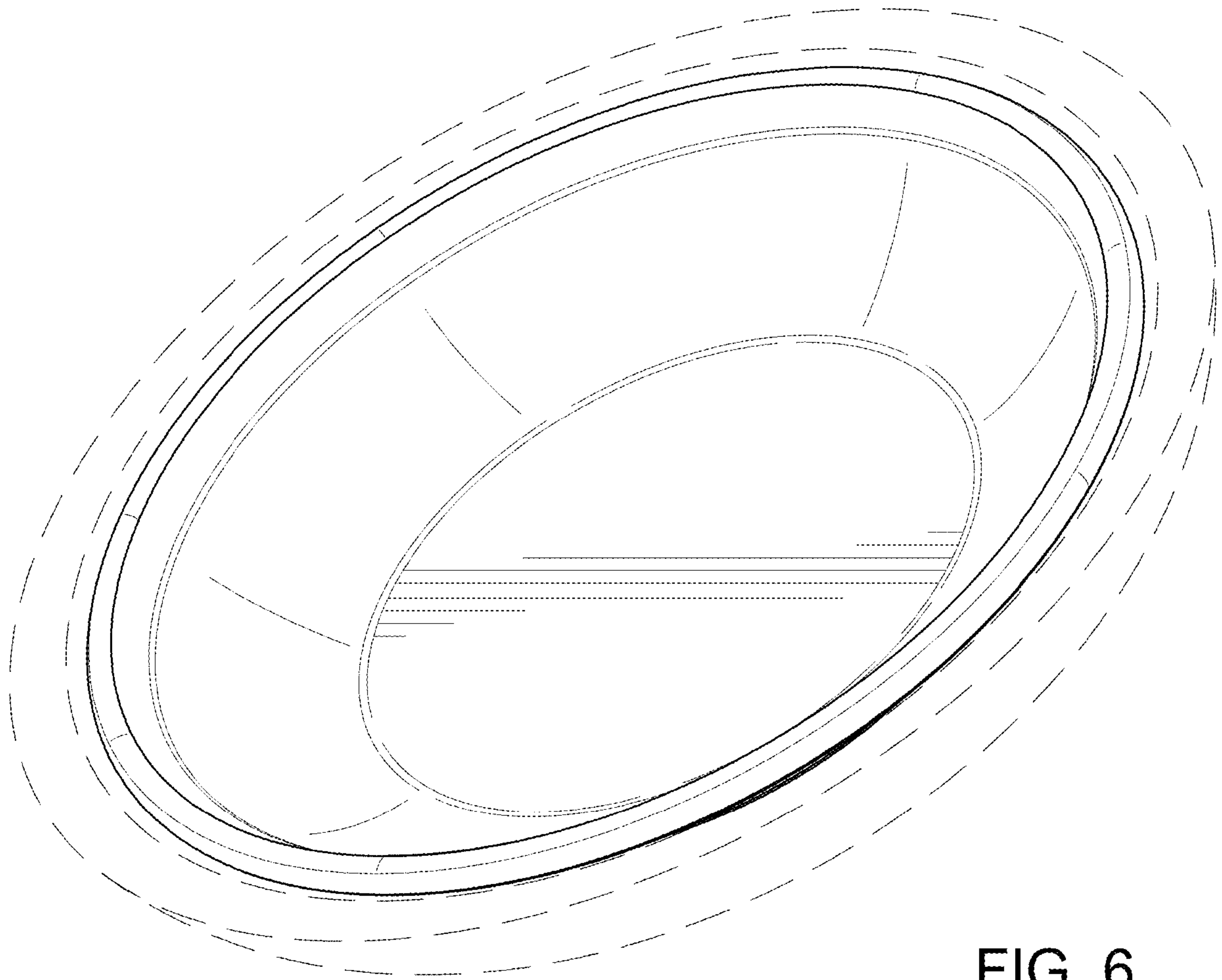


FIG. 6

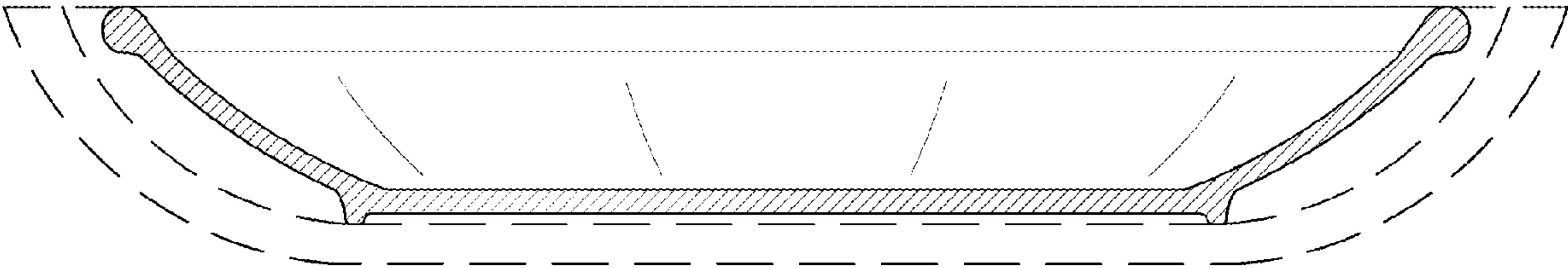


FIG. 7