

US00D936426S

(12) **United States Design Patent** (10) **Patent No.:** **US D936,426 S**
Sun (45) **Date of Patent:** **** Nov. 23, 2021**

(54) **FOOD TRAY WITH KETCHUP HOLDER**
(71) Applicant: **NINGBO HAISHU KELI PLASTIC INDUSTRY CO., LTD.,** Ningbo (CN)
(72) Inventor: **Keda Sun,** Ningbo (CN)
(73) Assignee: **NINGBO HAISHU KELI PLASTIC INDUSTRY CO., LTD.,** Ningbo (CN)
(**) Term: **15 Years**
(21) Appl. No.: **29/775,280**

D336,217 S * 6/1993 Picozza D7/553.6
D484,364 S 12/2003 Bailey et al.
D516,382 S * 3/2006 King D7/553.8
D531,054 S * 10/2006 Sagel D9/737
D701,430 S * 3/2014 Hohnstein D7/553.8
D738,164 S * 9/2015 Menjor D7/553.8
D750,976 S * 3/2016 Tilahun D9/761
D769,132 S * 10/2016 Tilahun D9/761
D795,016 S * 8/2017 Crawford D7/553.8
D806,534 S 1/2018 Chou
D813,057 S * 3/2018 Clark D9/761
D831,429 S * 10/2018 Floco D7/553.8
D833,228 S * 11/2018 Mieszkowski D7/552.2
D842,044 S * 3/2019 Floco D7/553.8
D858,205 S * 9/2019 Manos D7/553.8

* cited by examiner

(22) Filed: **Mar. 22, 2021**
(51) **LOC (13) Cl.** **07-01**
(52) **U.S. Cl.**
USPC **D7/553.8**
(58) **Field of Classification Search**
USPC D7/396.4, 501, 505, 571, 541-543, 545,
D7/546, 549, 552.1, 553, 553.1, 553.5,
D7/553.6, 553.8, 554.2, 555, 566;
D9/424, 716, 761
CPC . B65D 1/34; B65D 1/36; B65D 21/00; B65D
21/0209; B65D 21/0204; A47G 19/02;
A47J 19/06
See application file for complete search history.

Primary Examiner — Kelley A Donnelly

(57) **CLAIM**

The ornamental design for a food tray with ketchup holder, as shown and described.

DESCRIPTION

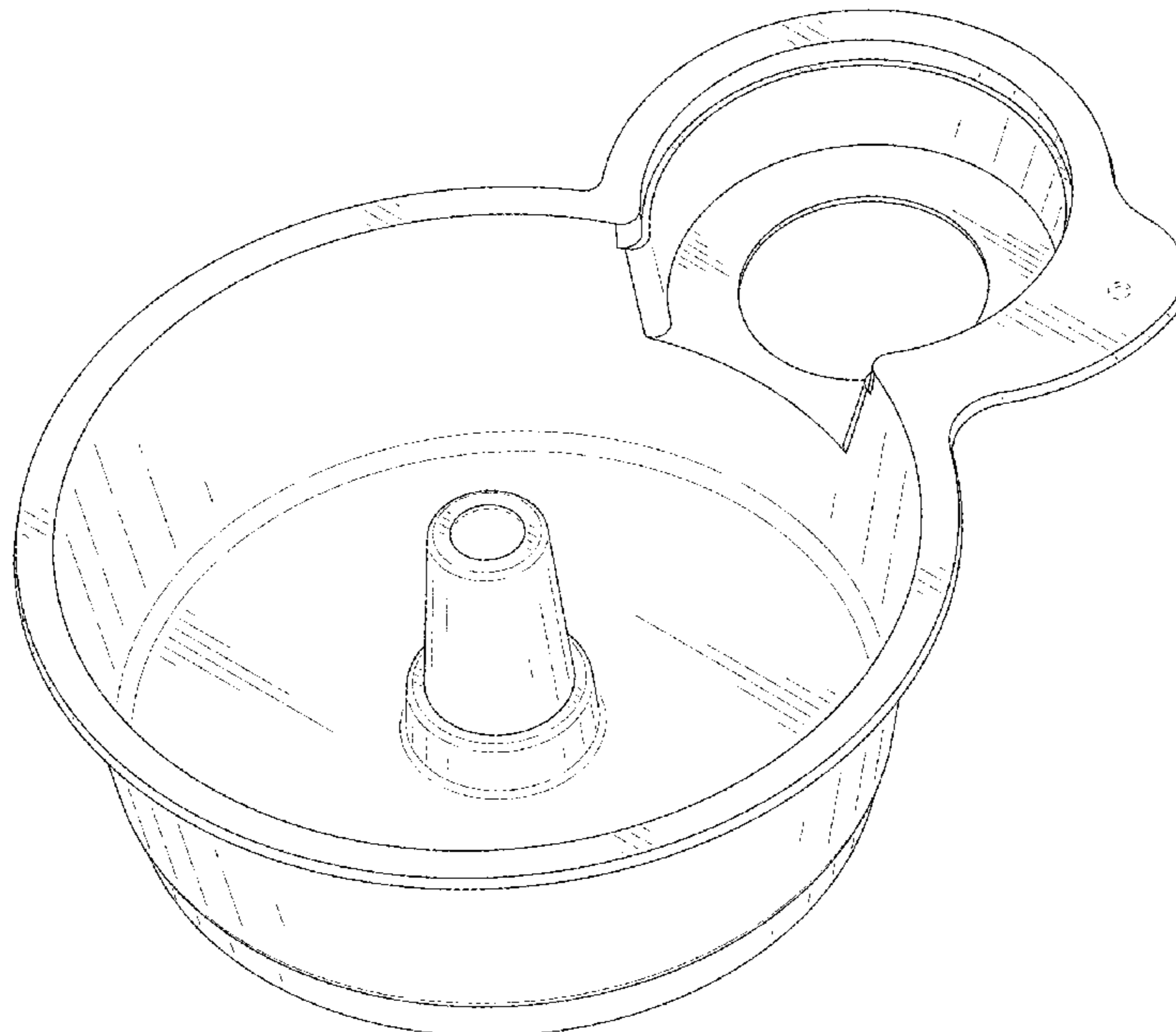
FIG. 1 is a perspective view of a food tray with ketchup holder showing my new design;
FIG. 2 is another perspective view thereof;
FIG. 3 is a front elevational view thereof;
FIG. 4 is a rear elevational view thereof;
FIG. 5 is a left side elevational view thereof;
FIG. 6 is a right side elevational view thereof;
FIG. 7 is a top plan view thereof; and,
FIG. 8 is a bottom plan view thereof.
The broken lines in the drawings depict portions of the food tray with ketchup holder that form no part of the claimed design.

(56) **References Cited**

U.S. PATENT DOCUMENTS

D89,791 S * 5/1933 Pittman D7/555
D250,565 S * 12/1978 Stowell D7/543
D298,296 S * 11/1988 Washburn D7/553.6
D298,898 S * 12/1988 Roshau D7/550.1
D305,712 S * 1/1990 Bauman D7/553.8
D307,529 S * 5/1990 Baetens D7/505
4,989,742 A * 2/1991 Powell A47G 19/06
206/549
D331,860 S * 12/1992 Stanfield D7/505

1 Claim, 8 Drawing Sheets



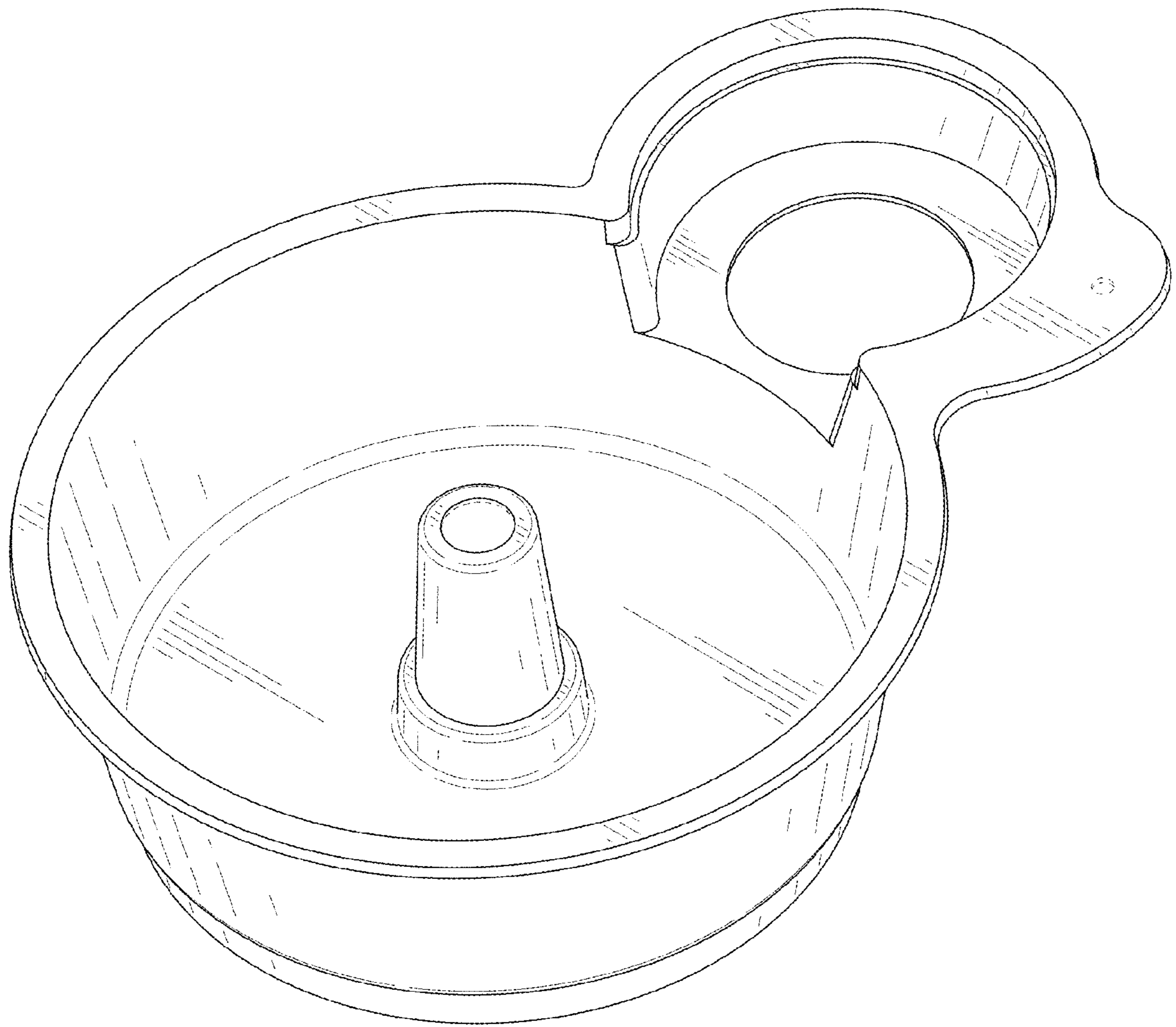


FIG. 1

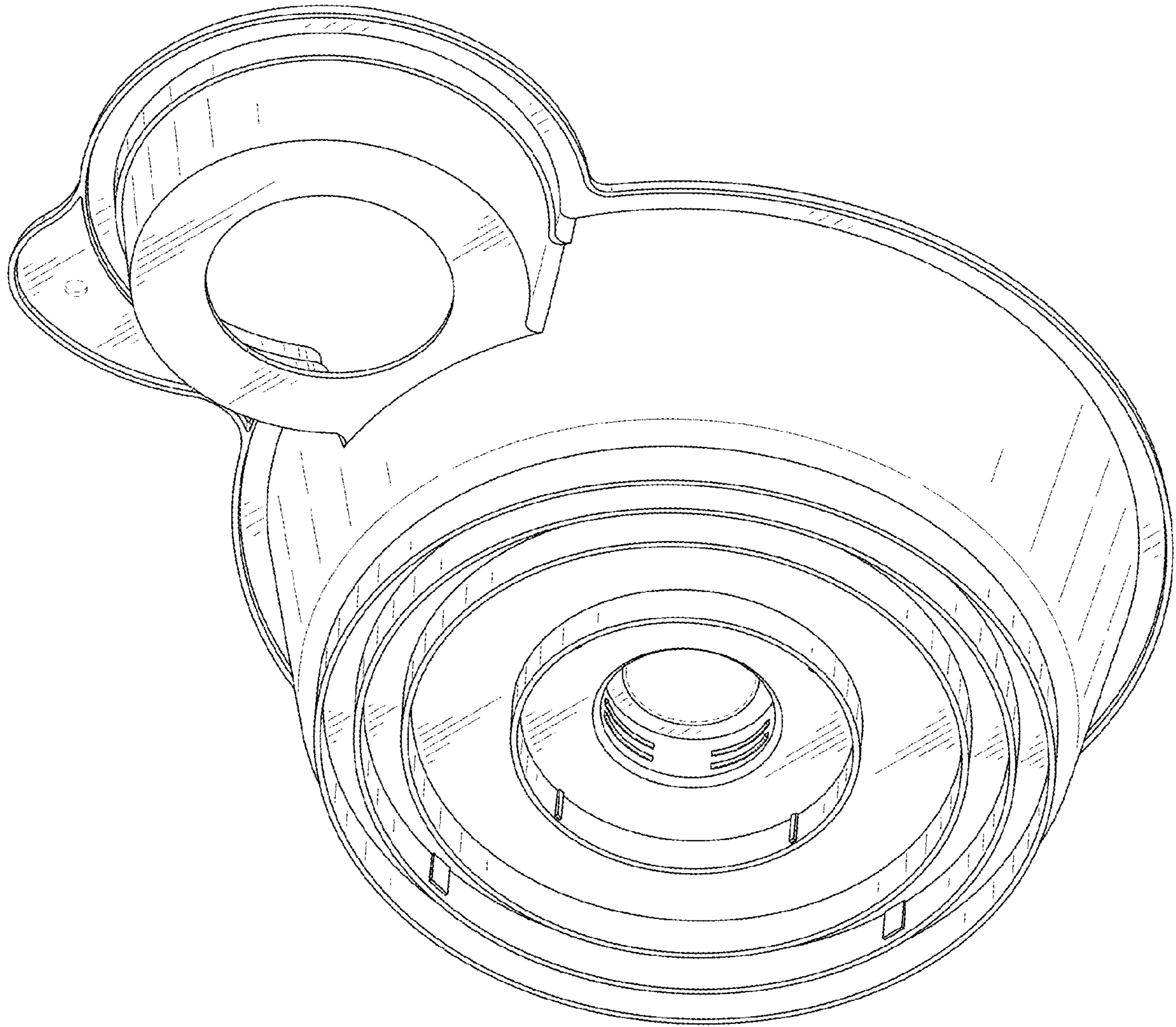


FIG. 2

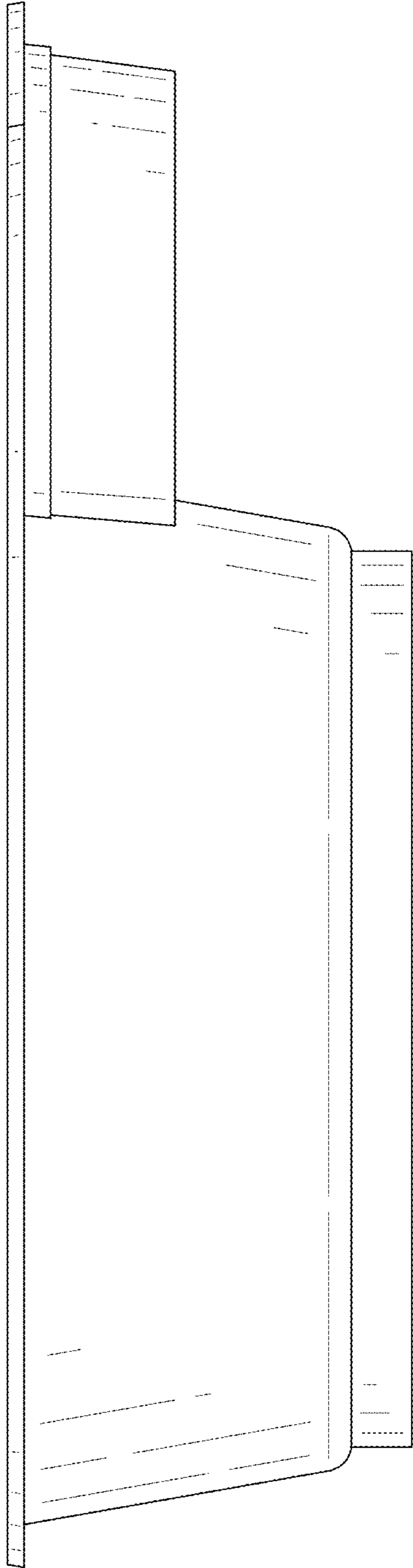


FIG. 3

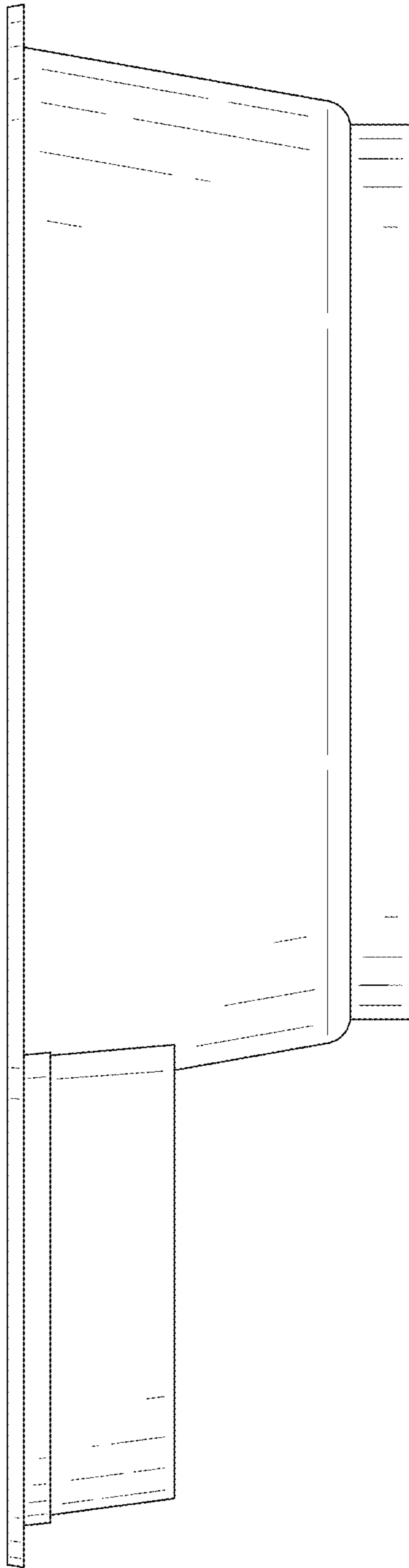


FIG. 4

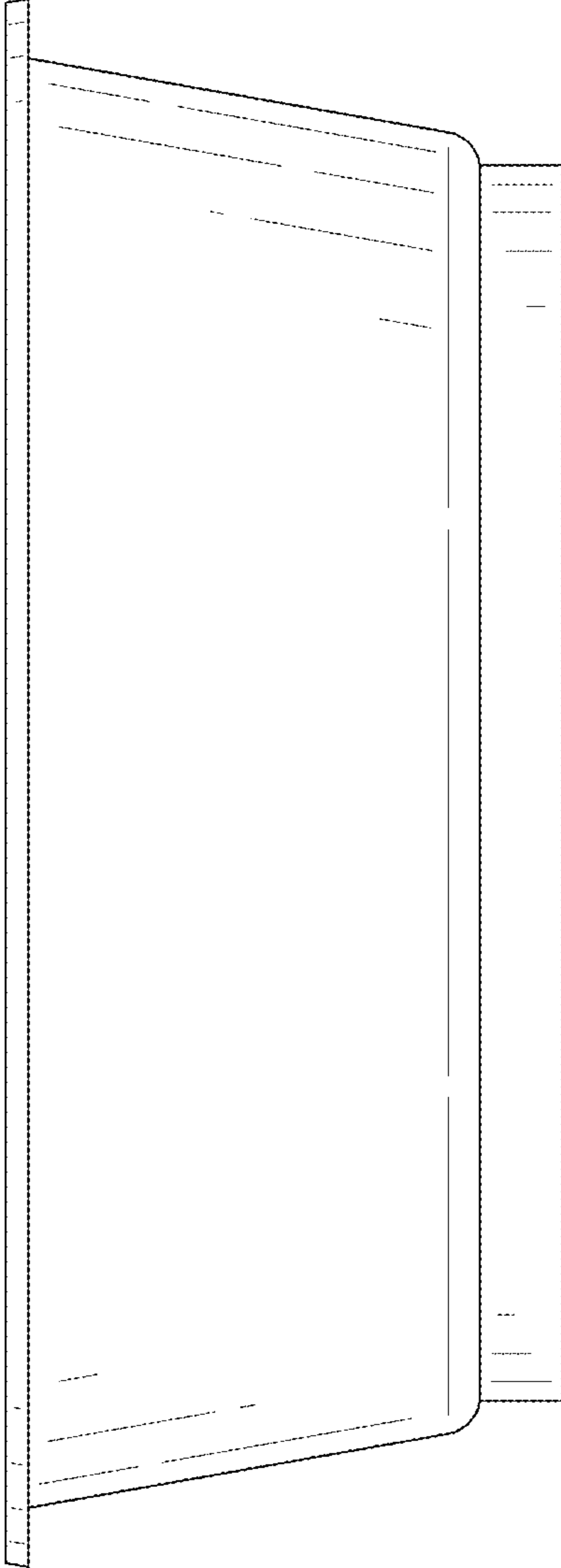


FIG. 5

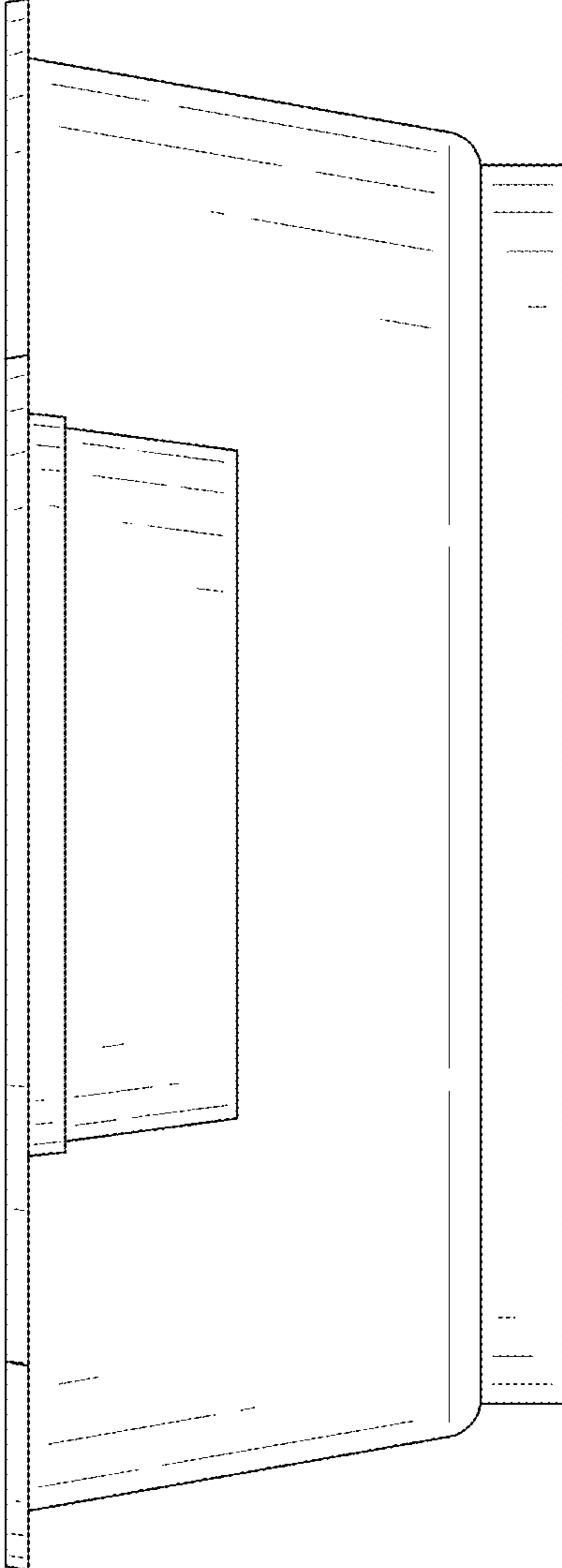


FIG. 6

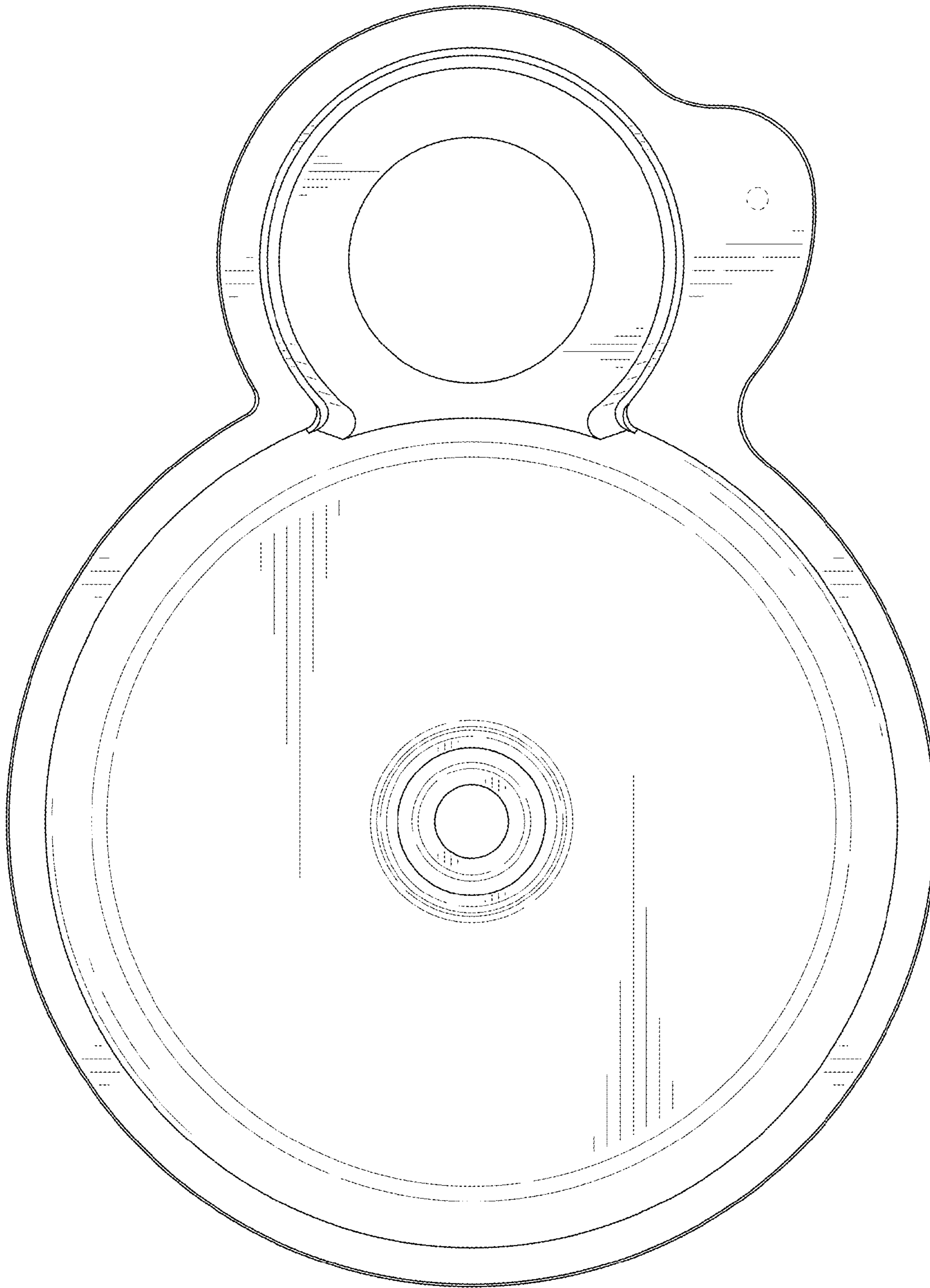


FIG. 7

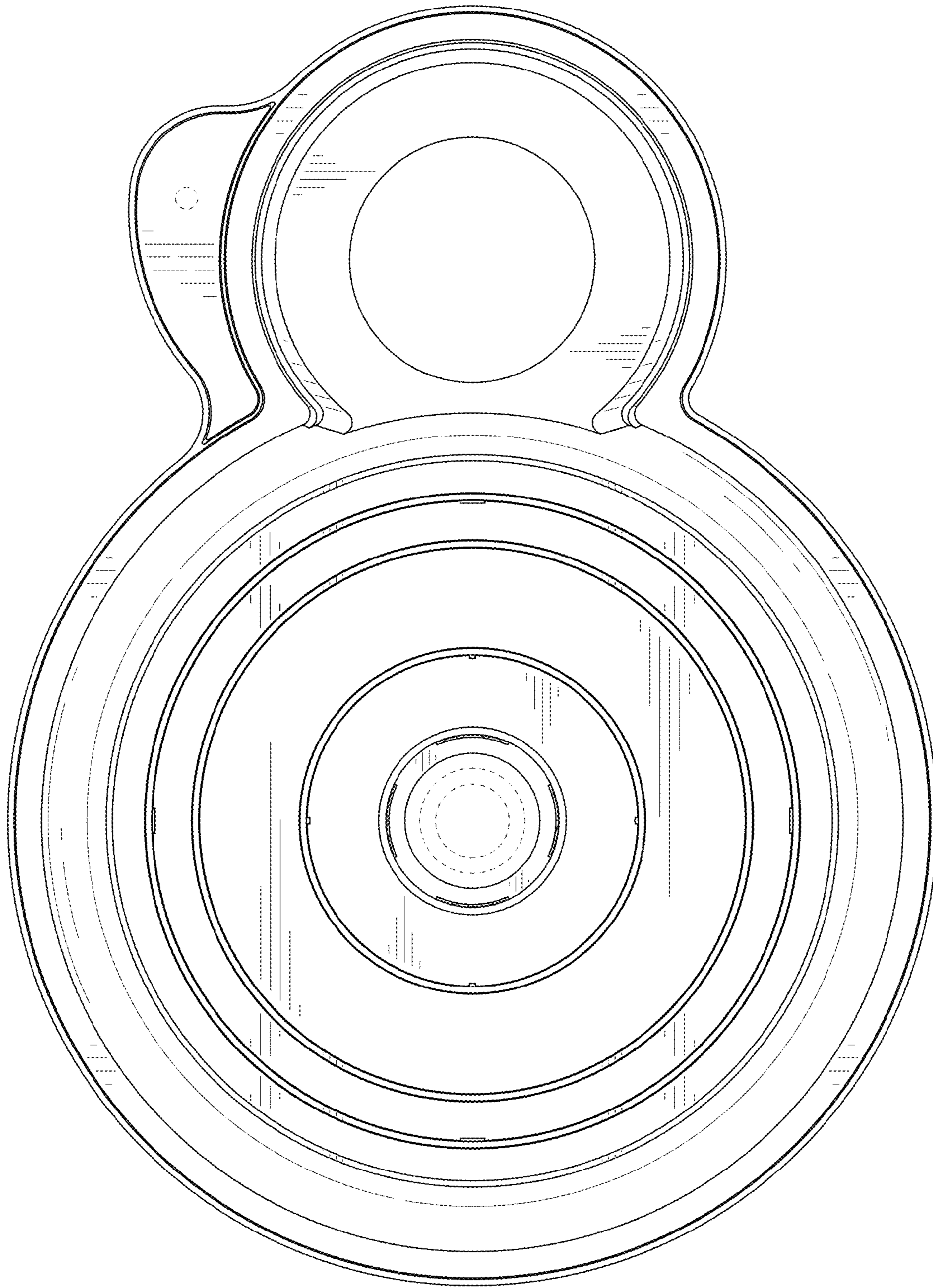


FIG. 8