

US00D936420S

(12) **United States Design Patent** (10) **Patent No.:** **US D936,420 S**  
**Shackelford** (45) **Date of Patent:** **\*\* Nov. 23, 2021**

(54) **ROTATING UTILITY TRAY**

(71) Applicant: **George Shackelford**, Murrieta, CA (US)

(72) Inventor: **George Shackelford**, Murrieta, CA (US)

(\*\*) Term: **15 Years**

(21) Appl. No.: **29/719,700**

(22) Filed: **Jan. 7, 2020**

(51) **LOC (13) Cl.** ..... **07-01**

(52) **U.S. Cl.**  
 USPC ..... **D7/501**

(58) **Field of Classification Search**  
 USPC ..... D7/501, 500, 553.6, 554.1, 590, 600.2;  
 211/74, 133.4  
 CPC ..... A47J 47/16; A47B 49/004  
 See application file for complete search history.

D613,596 S \* 4/2010 Mangapora ..... D7/501  
 7,934,449 B2 \* 5/2011 Anderson ..... B65D 1/36  
 206/508  
 D680,374 S \* 4/2013 Goodman ..... D7/501  
 D700,478 S \* 3/2014 Simmons ..... D7/501  
 D708,257 S \* 7/2014 Camarata ..... D19/77  
 D759,408 S \* 6/2016 Denby ..... D6/677  
 D774,597 S \* 12/2016 Lowery ..... D21/336  
 D793,130 S \* 8/2017 Ellison ..... D6/677.1  
 D801,106 S \* 10/2017 Mirchandani ..... D7/357  
 D803,007 S \* 11/2017 Liao ..... D7/610  
 D817,076 S \* 5/2018 Dugan ..... A47G 19/065  
 D7/357  
 D830,746 S \* 10/2018 Johnson ..... D6/677.1  
 D854,323 S \* 7/2019 Calhoun ..... D3/304  
 D883,720 S \* 5/2020 Johnson ..... D6/677.1  
 D913,023 S \* 3/2021 Chiang ..... D6/678.2

\* cited by examiner

*Primary Examiner* — Cynthia R Underwood  
 (74) *Attorney, Agent, or Firm* — The Law Office Of  
 Austin Bonderer, PC; Austin Bonderer

(56) **References Cited**

U.S. PATENT DOCUMENTS

D149,046 S \* 3/1948 Blumenthal et al. .... D7/501  
 D200,117 S \* 1/1965 Kolarik ..... D7/590  
 D210,896 S \* 4/1968 Heck ..... D7/501  
 3,951,079 A \* 4/1976 Tolleson ..... A47F 5/02  
 108/94  
 5,441,164 A \* 8/1995 Beck ..... A47G 19/06  
 220/574  
 D401,810 S \* 12/1998 Swift ..... D7/553.6  
 5,894,944 A \* 4/1999 Swift ..... A47G 23/08  
 211/78  
 5,960,982 A \* 10/1999 Perlis ..... A47G 19/065  
 206/558  
 D486,991 S \* 2/2004 Lee ..... D7/357  
 D575,986 S \* 9/2008 Cetera ..... D7/501  
 D577,962 S \* 10/2008 Bauer ..... D7/552.2  
 D587,529 S \* 3/2009 Pratt ..... D7/553.8  
 D609,058 S \* 2/2010 Roth ..... D7/602

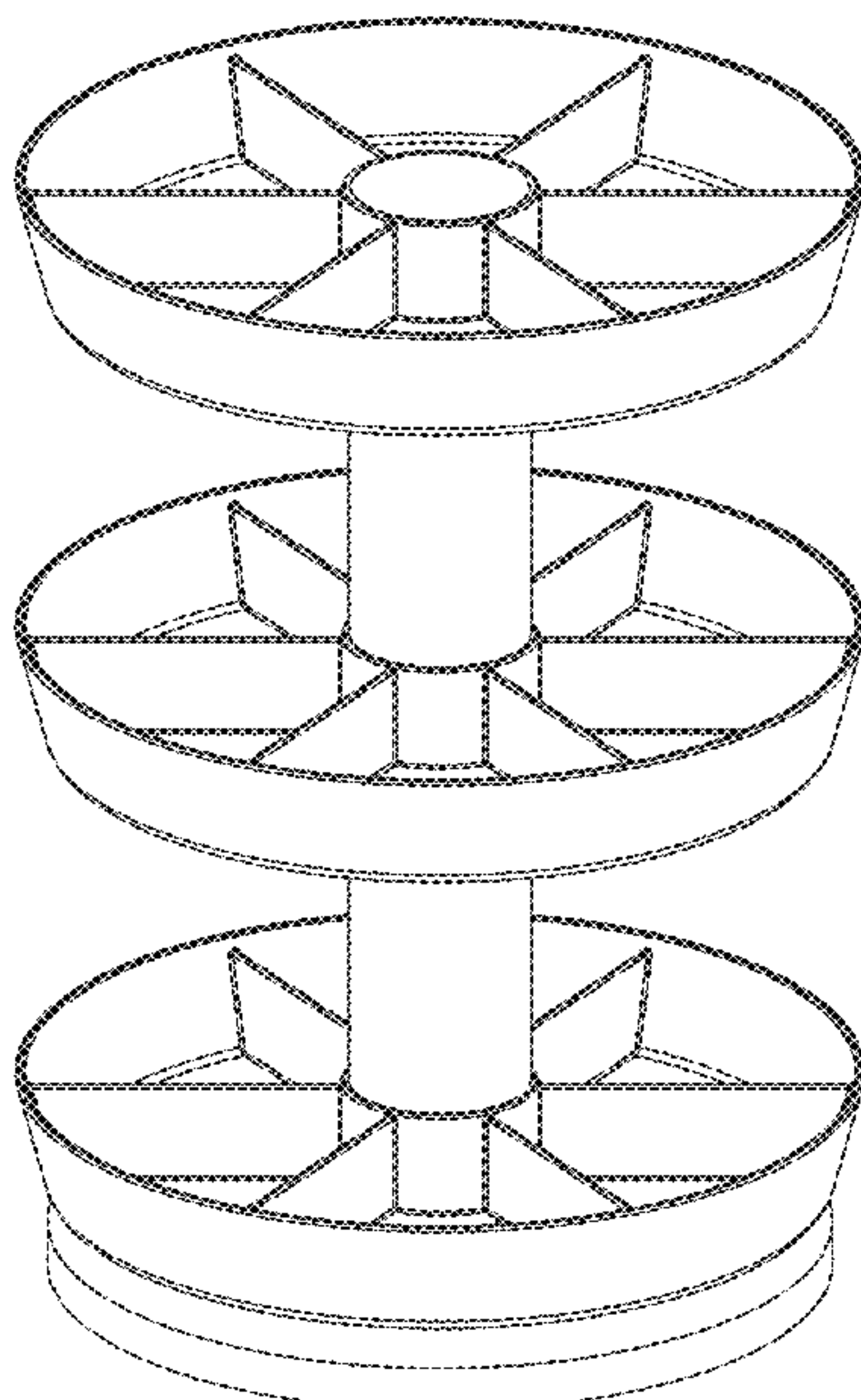
(57) **CLAIM**

The ornamental design for a rotating utility tray, as shown and described.

**DESCRIPTION**

FIG. 1 is a perspective view of the rotating utility tray showing the new design;  
 FIG. 2 is a front view thereof;  
 FIG. 3 is a rear view thereof  
 FIG. 4 is a right side view thereof;  
 FIG. 5 is a left side view thereof;  
 FIG. 6 is a top view thereof;  
 FIG. 7 is a bottom view thereof;  
 FIG. 8 is another perspective view thereof;  
 FIG. 9 is a bottom perspective view thereof; and,  
 FIG. 10 is an exploded view thereof.

**1 Claim, 4 Drawing Sheets**



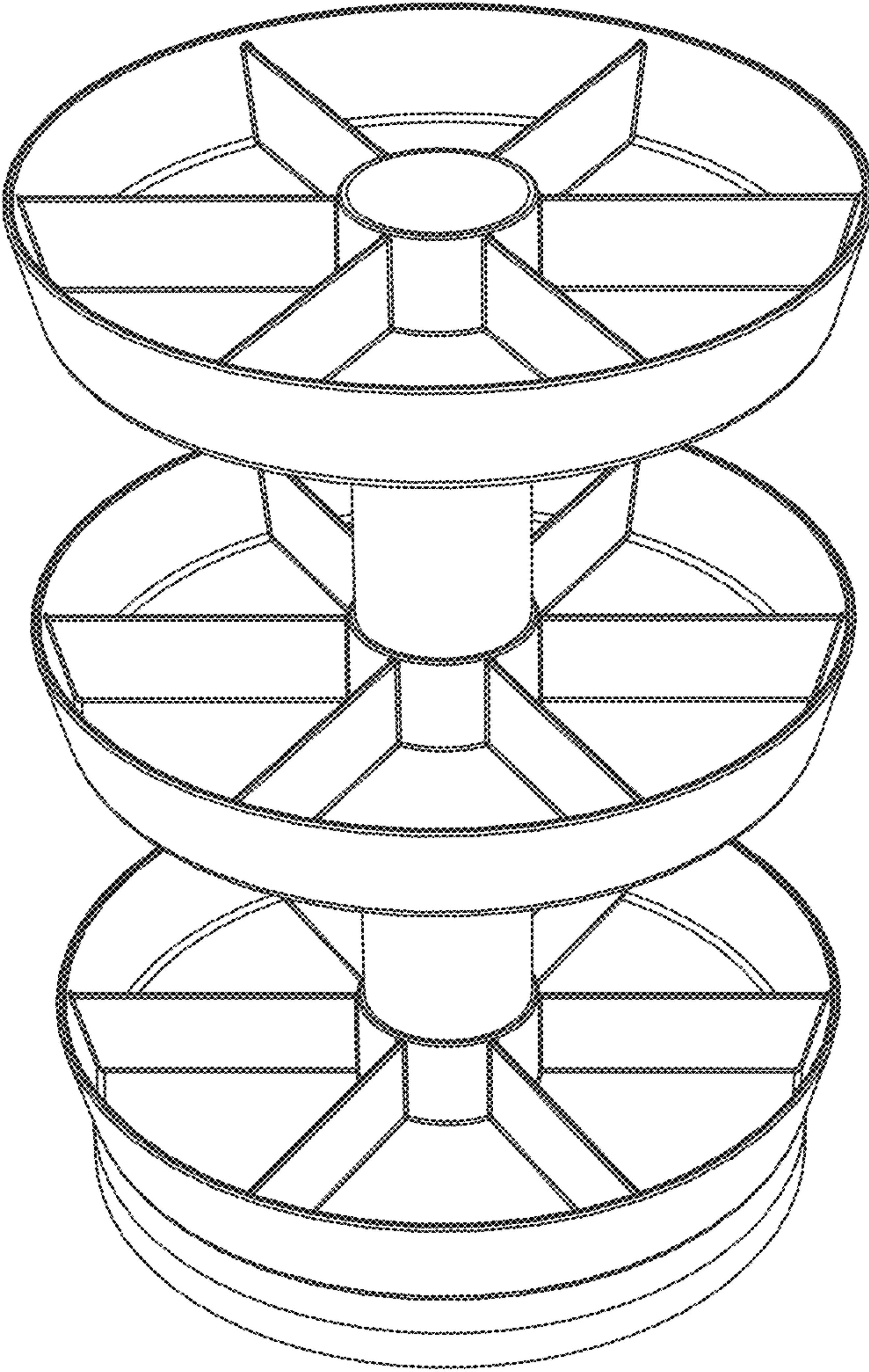
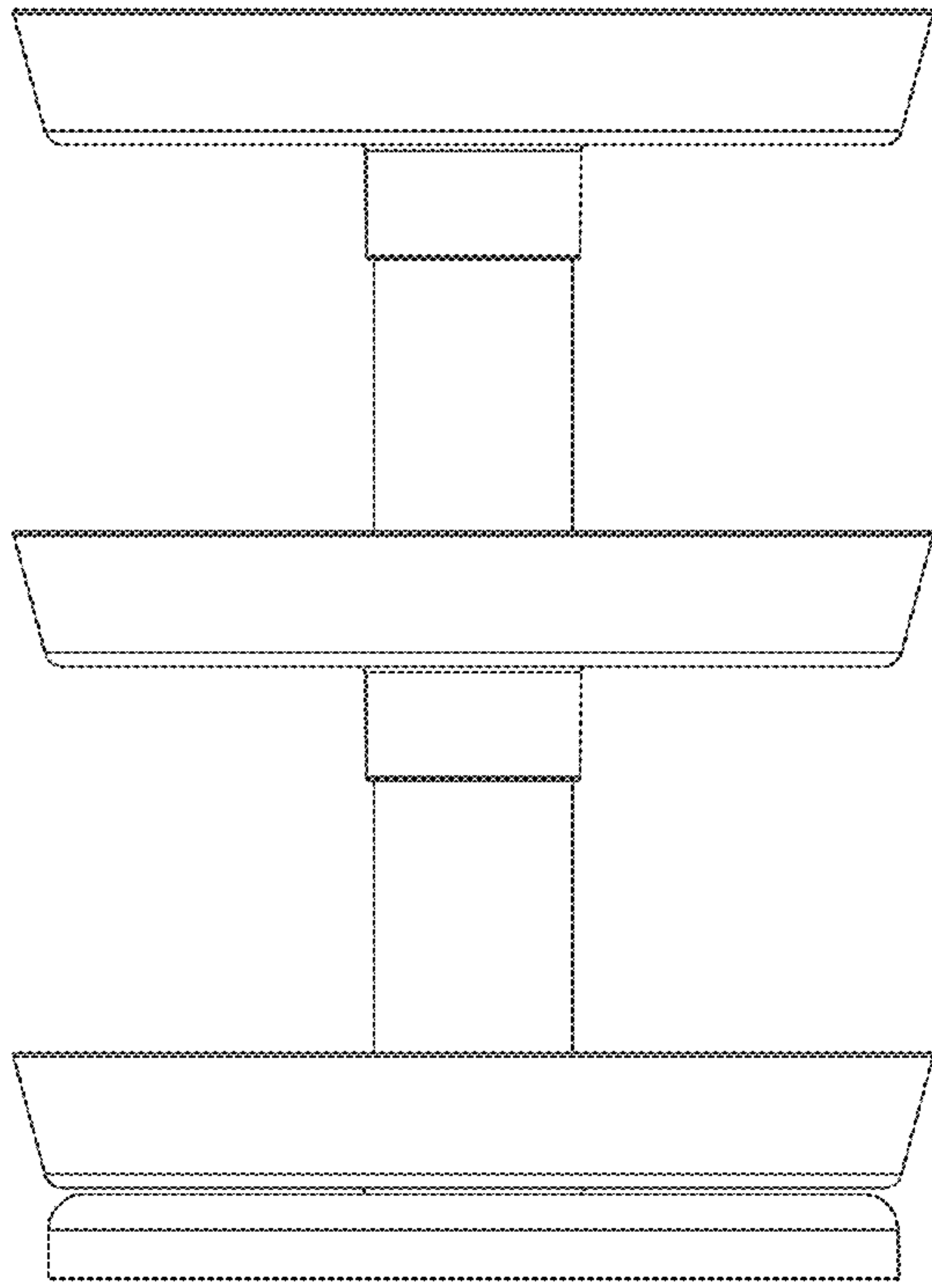
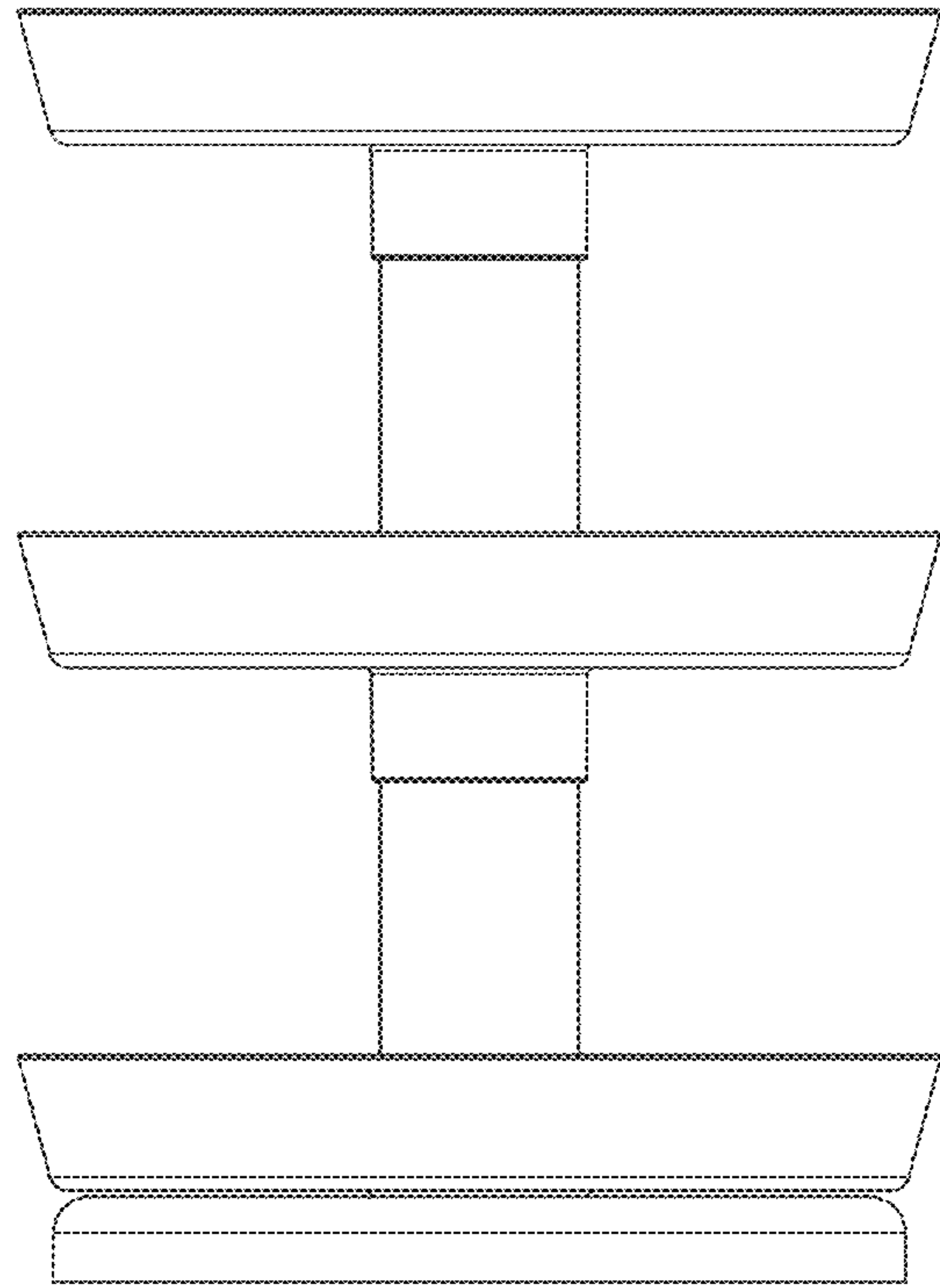


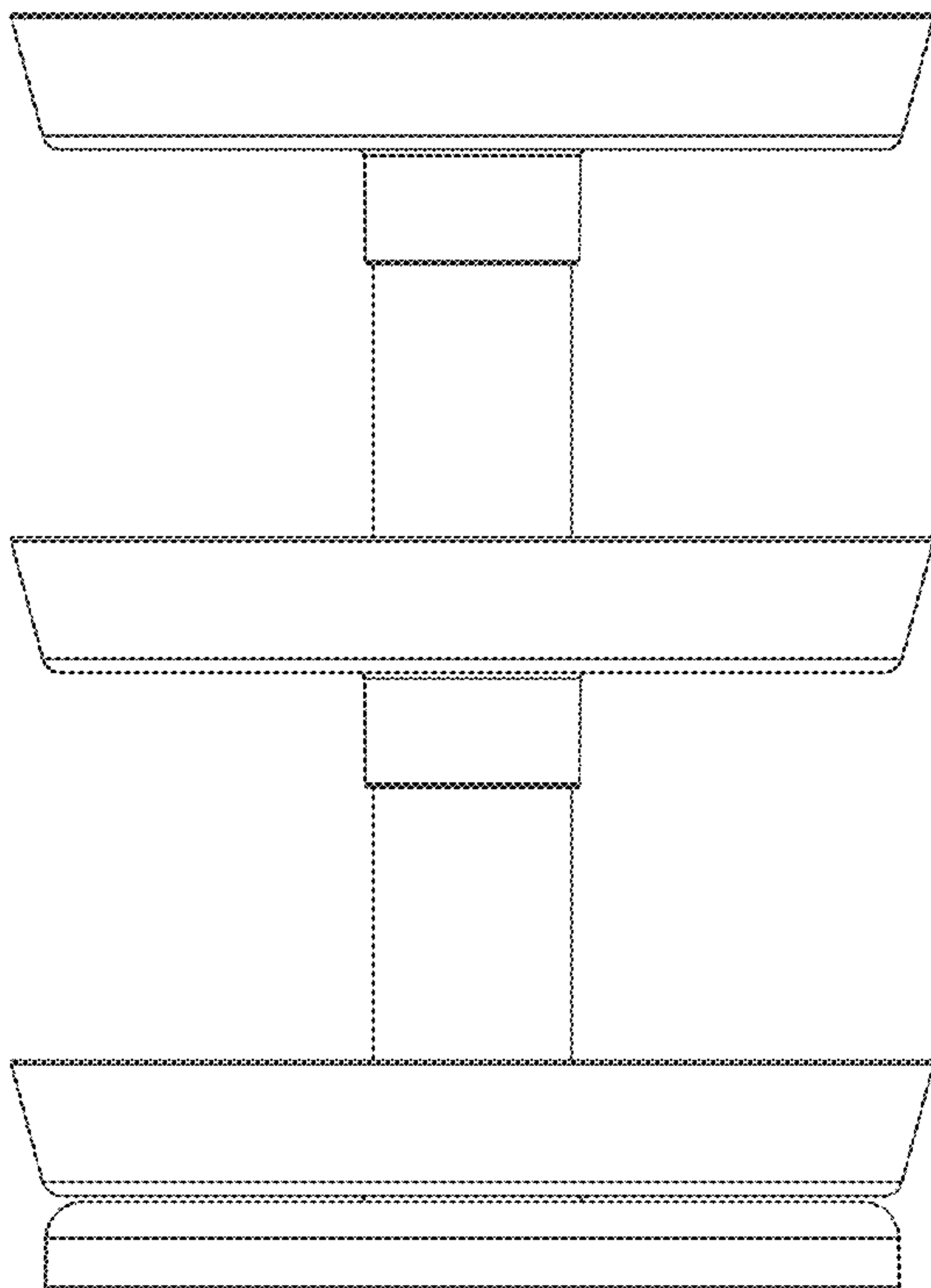
FIG. 1



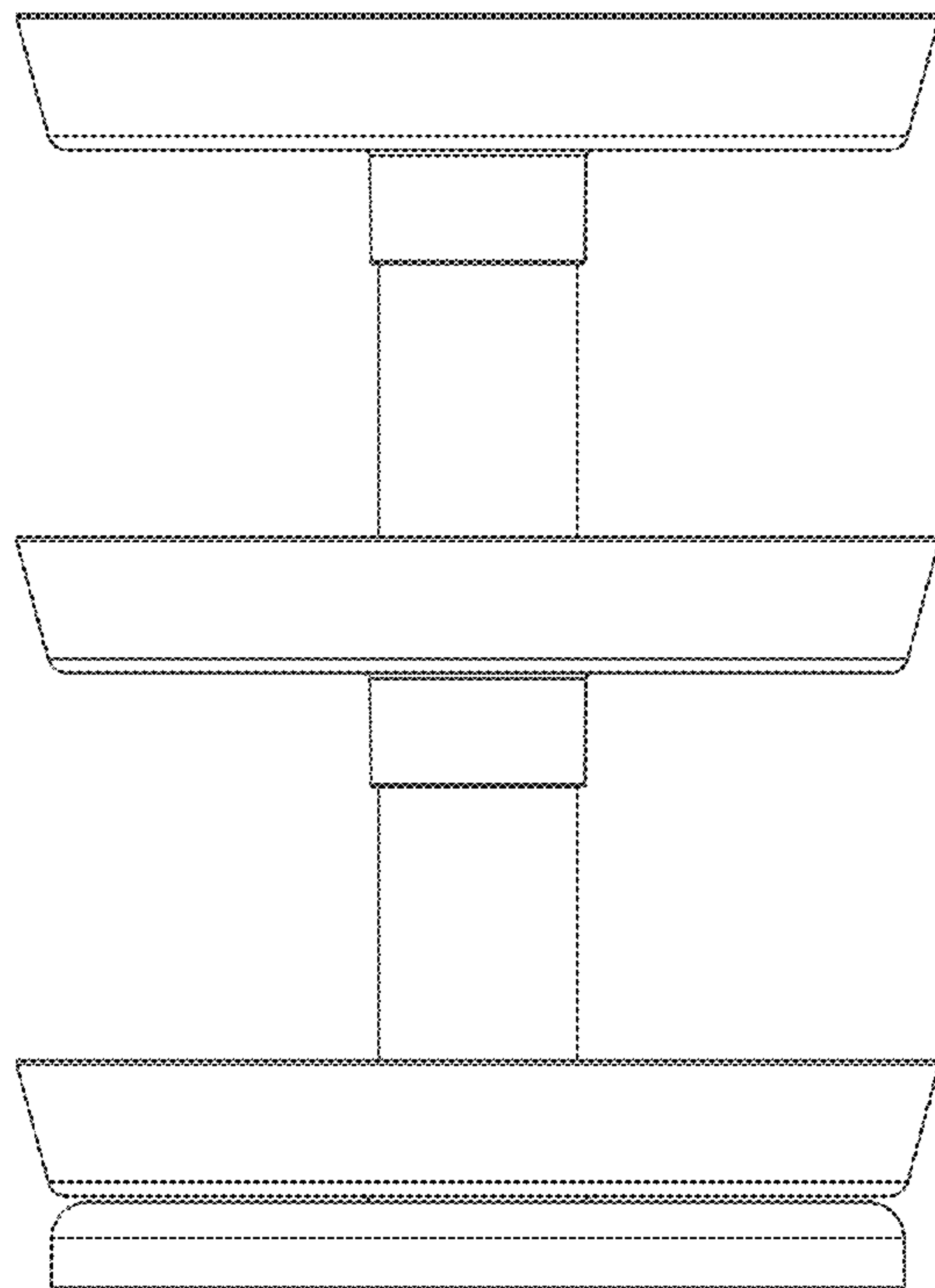
**FIG. 2**



**FIG. 3**



**FIG. 4**



**FIG. 5**



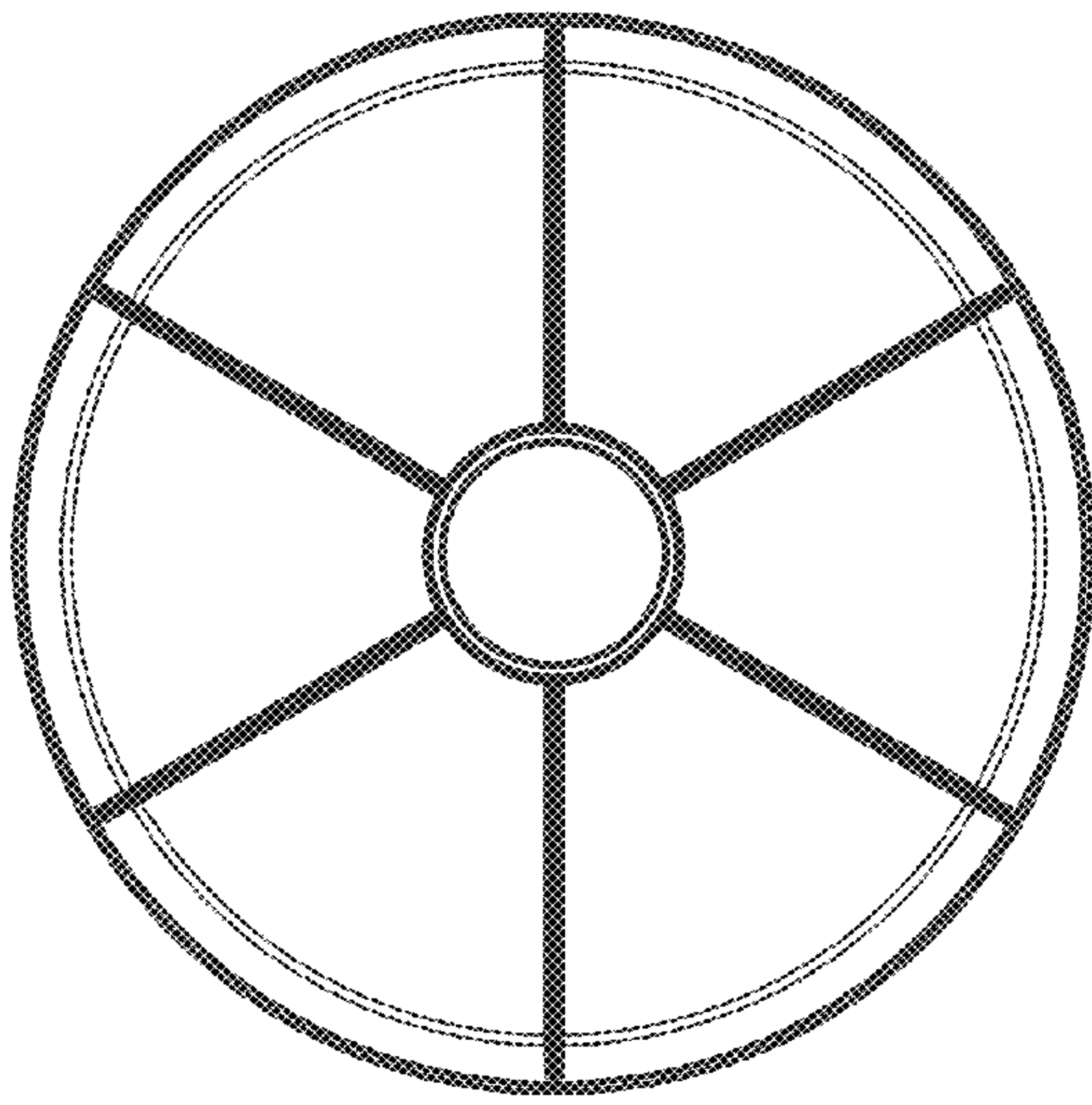


FIG. 6

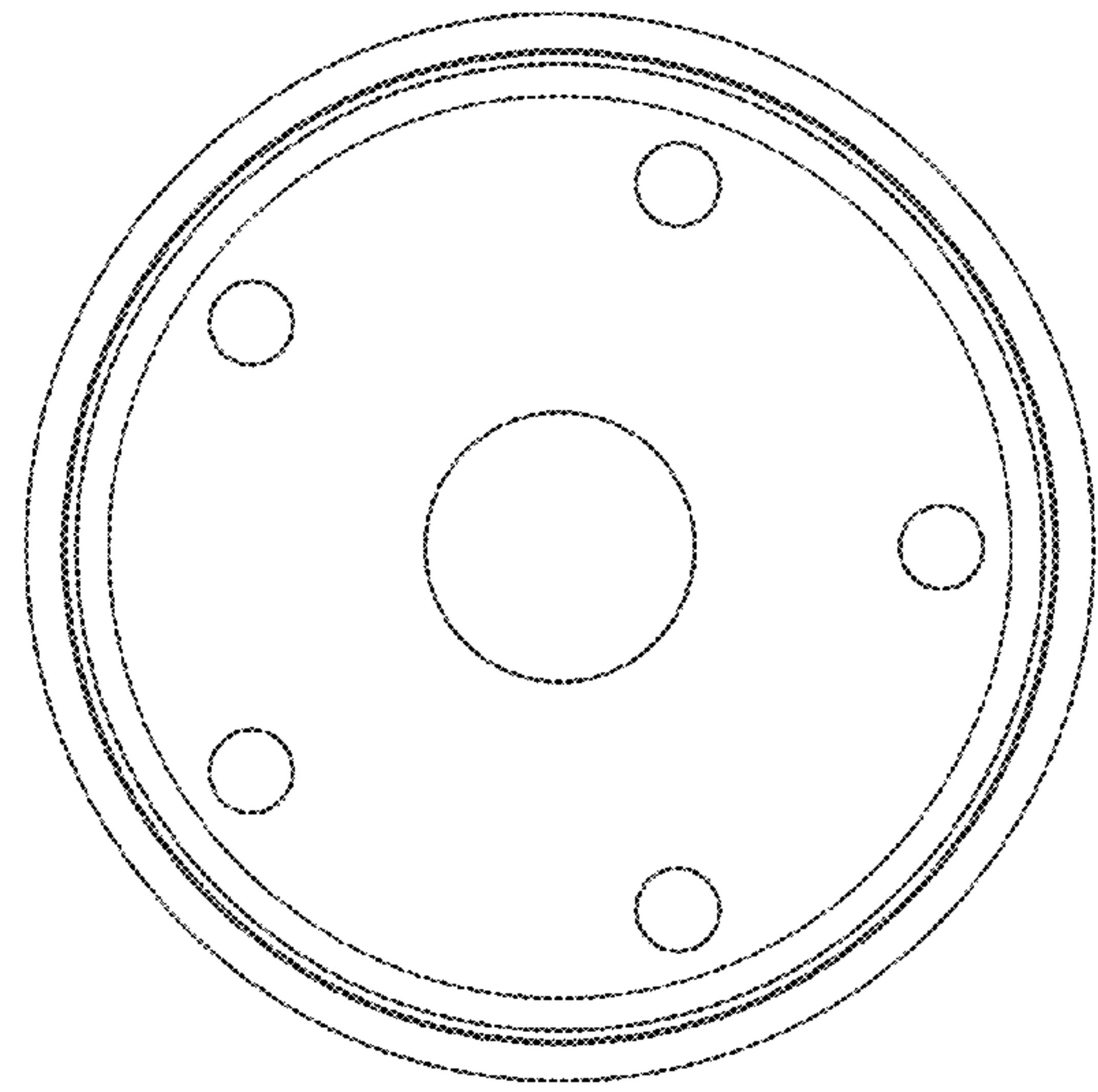


FIG. 7

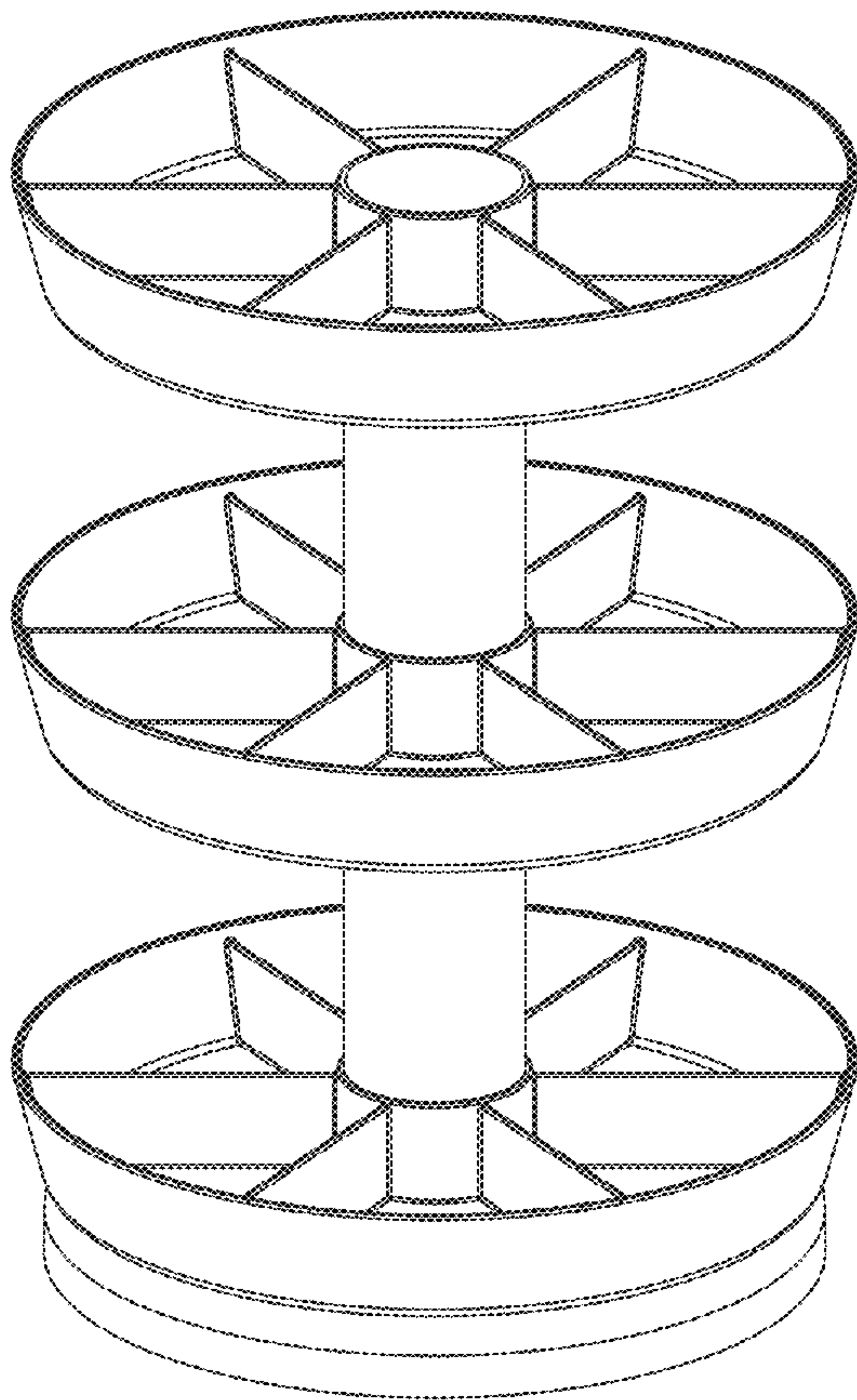


FIG. 8

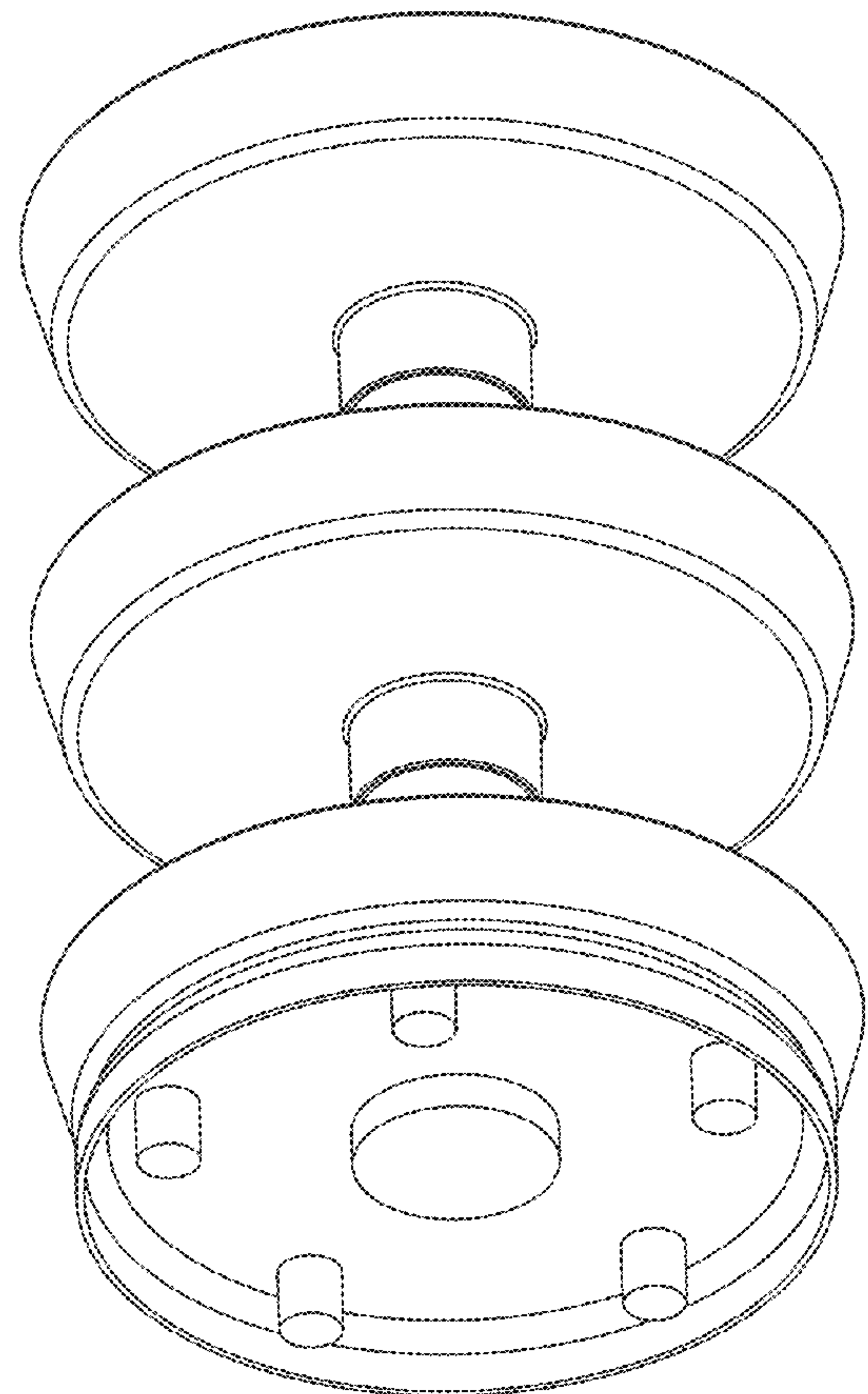


FIG. 9

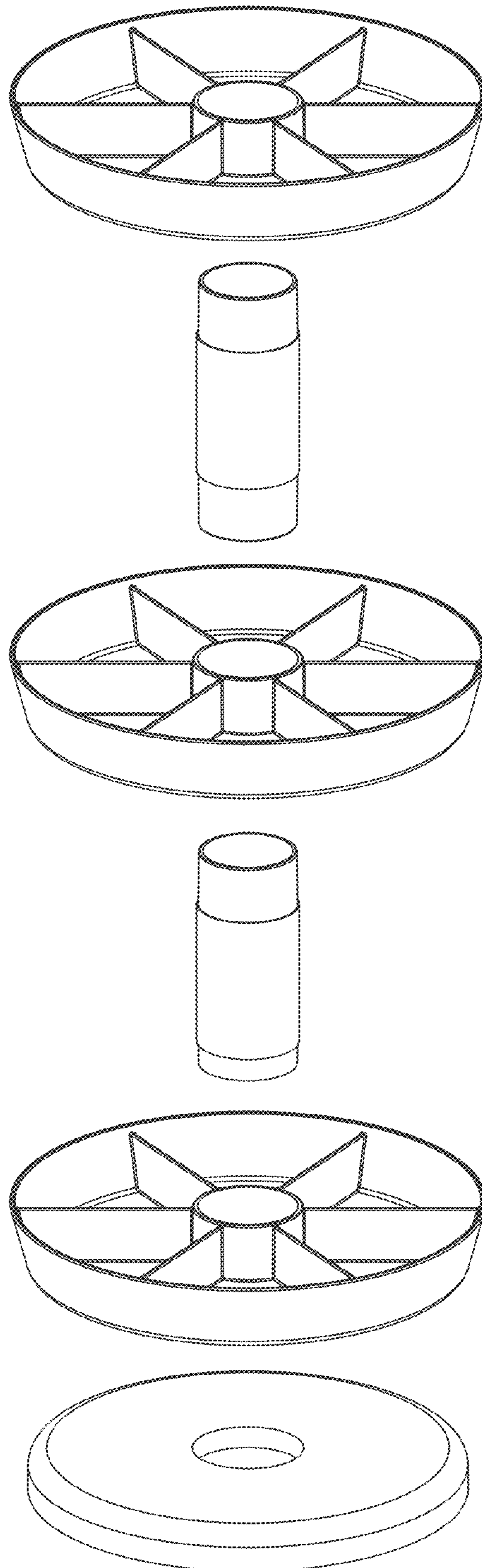


FIG. 10