



US00D936419S

(12) **United States Design Patent** (10) **Patent No.:** **US D936,419 S**
Cheng (45) **Date of Patent:** **** Nov. 23, 2021**

(54) **MIXING TOOL IMPLEMENT**
(71) Applicant: **Allway Tools Inc.**, West Babylon, NY (US)
(72) Inventor: **Yuan Fang Cheng**, Syosset, NY (US)
(73) Assignee: **Allway Tools Inc**, Bronx, NY (US)
(**) Term: **15 Years**
(21) Appl. No.: **29/748,055**
(22) Filed: **Aug. 27, 2020**
(51) **LOC (13) Cl.** **07-99**
(52) **U.S. Cl.**
USPC **D7/412**
(58) **Field of Classification Search**
USPC D7/368, 688, 694, 371, 376, 380, 383,
D7/412; D15/126, 132, 138, 139
CPC A21C 1/02; A21C 1/04; A23N 1/00; A23N
1/02; A47J 43/04
See application file for complete search history.

(56) **References Cited**
U.S. PATENT DOCUMENTS
D290,084 S * 6/1987 Klapperich D7/688
D366,596 S * 1/1996 Hewin D7/412
D529,526 S * 10/2006 Gringer D15/147
D566,143 S * 4/2008 Rosso D15/138
D576,186 S * 9/2008 Rosso B01F 7/00633
D15/138
D637,871 S * 5/2011 Frank D7/412
D664,807 S * 8/2012 Annis D7/412
D681,690 S * 5/2013 Xia D15/29
D697,942 S * 1/2014 Puczok D15/5
D706,581 S * 6/2014 Pendleton D7/412
D729,573 S * 5/2015 Moon D7/412
D746,883 S * 1/2016 Strommer D15/138
D764,253 S * 8/2016 Gringer D8/105
D768,437 S * 10/2016 Lane D7/412

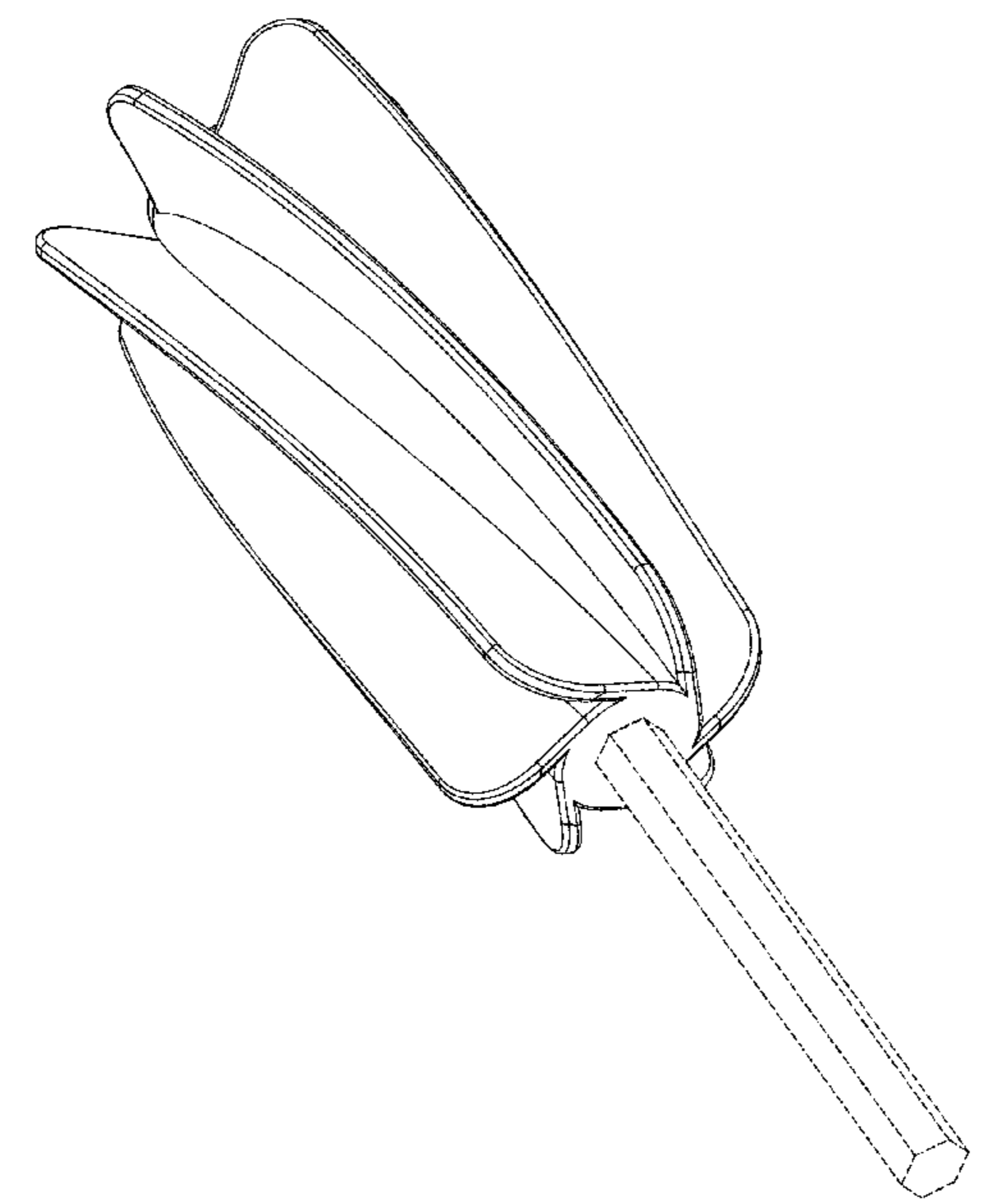
D810,507 S * 2/2018 Gaeta D7/397
D818,772 S * 5/2018 Raymond D7/412
D865,822 S * 11/2019 Murray D15/138
D916,564 S * 4/2021 Kent D7/412
D917,229 S * 4/2021 Kent D7/412
D925,970 S * 7/2021 McConnell D7/379
D928,563 S * 8/2021 Garman D7/412

* cited by examiner
Primary Examiner — Michael C Stout
Assistant Examiner — Fritzgerald L Butac
(74) *Attorney, Agent, or Firm* — Anthony Sgroi, Jr.

(57) **CLAIM**
The ornamental design for the mixing tool implement, as shown and described.

DESCRIPTION
FIG. 1 is a front view of a mixing tool implement, according to the new design;
FIG. 2 is a side view of the mixing tool implement of FIG. 1, the opposite side being identical thereto;
FIG. 3 is a rear view of the mixing tool implement of FIG. 1;
FIG. 4 is a bottom view of the mixing tool implement of FIG. 1;
FIG. 5 is top view of the mixing tool implement of FIG. 1;
FIG. 6 is first top perspective view of the mixing tool implement of FIG. 1;
FIG. 7 is second top perspective view of the mixing tool implement of FIG. 1;
FIG. 8 is first bottom perspective view of the mixing tool implement of FIG. 1; and,
FIG. 9 is second bottom perspective view of the mixing tool implement of FIG. 1.
The broken lines show portions of a mixing tool implement which form no part of the claimed design.

1 Claim, 9 Drawing Sheets



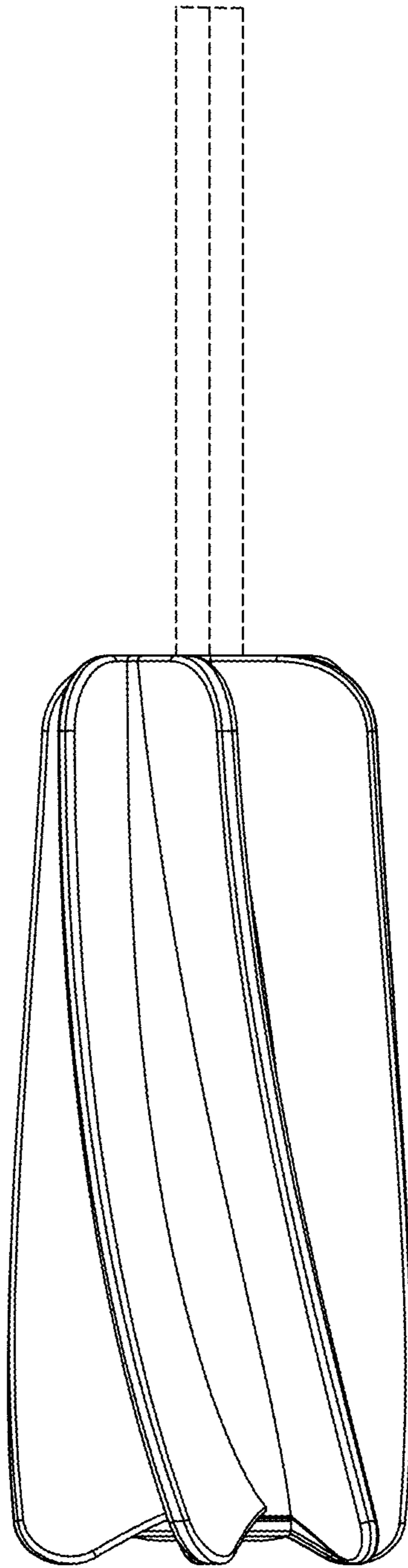


FIG 1

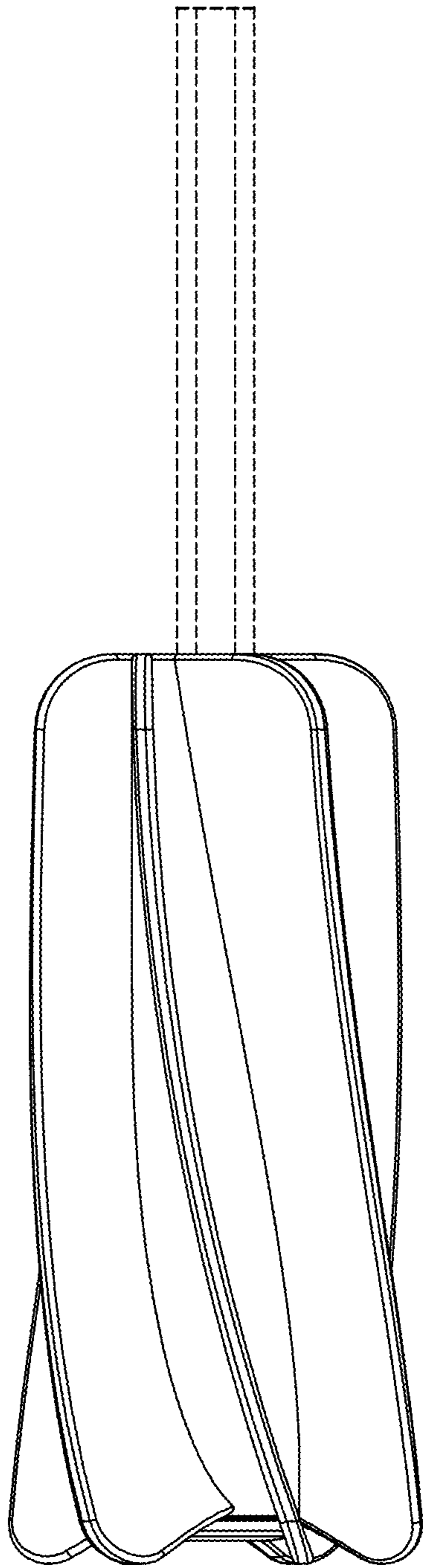


FIG 2

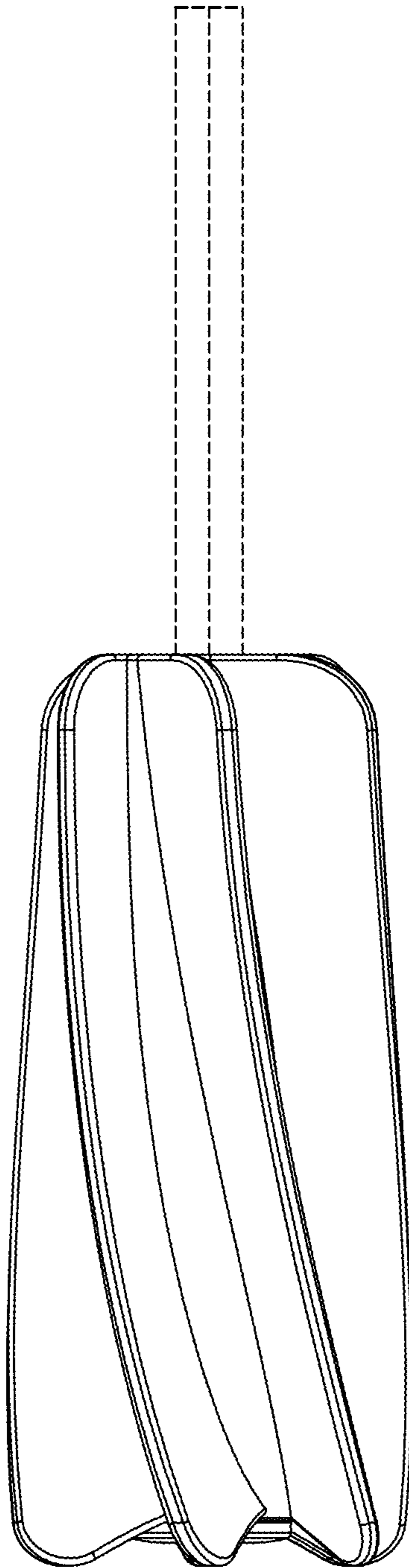


FIG 3

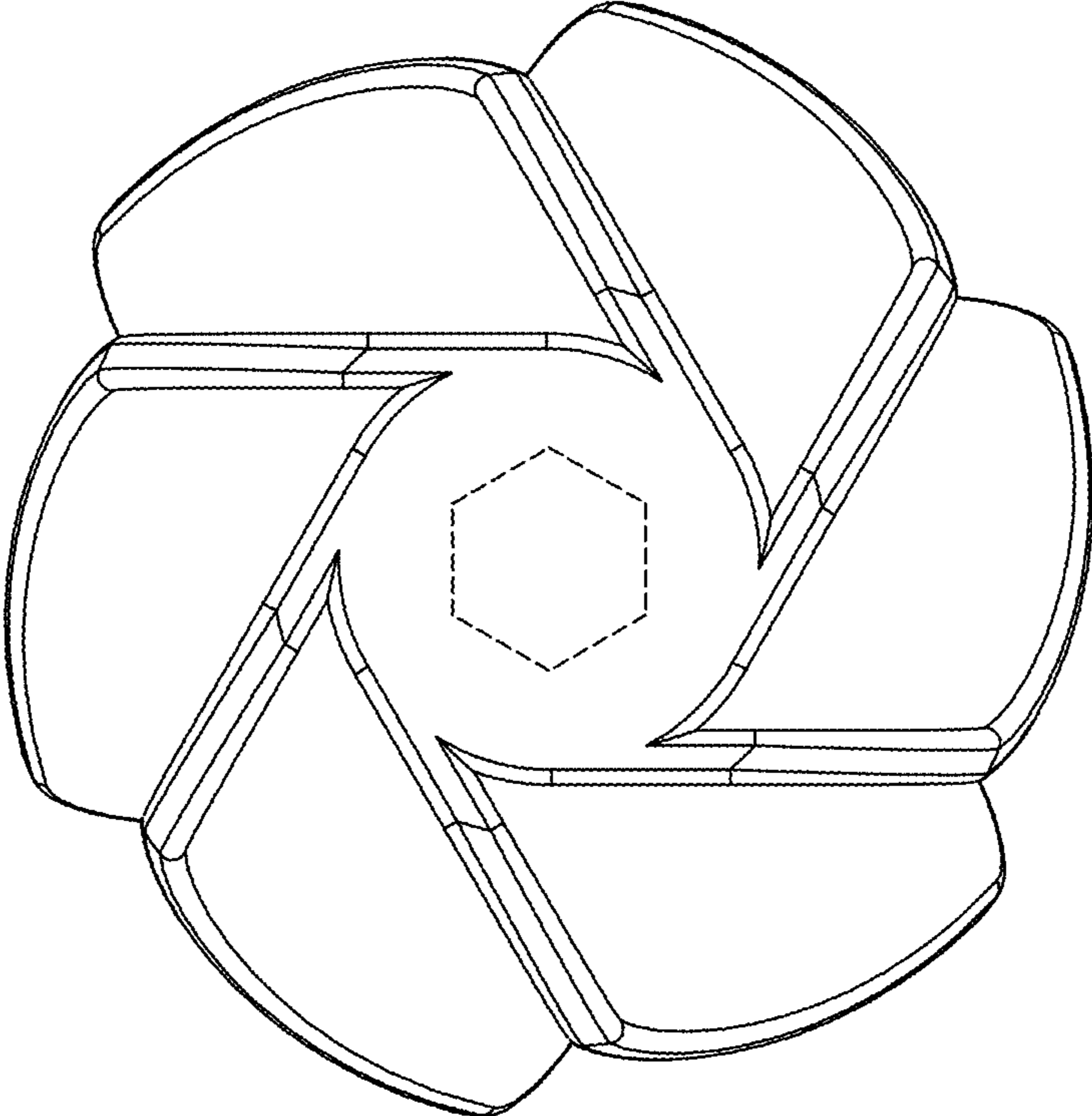


FIG 4

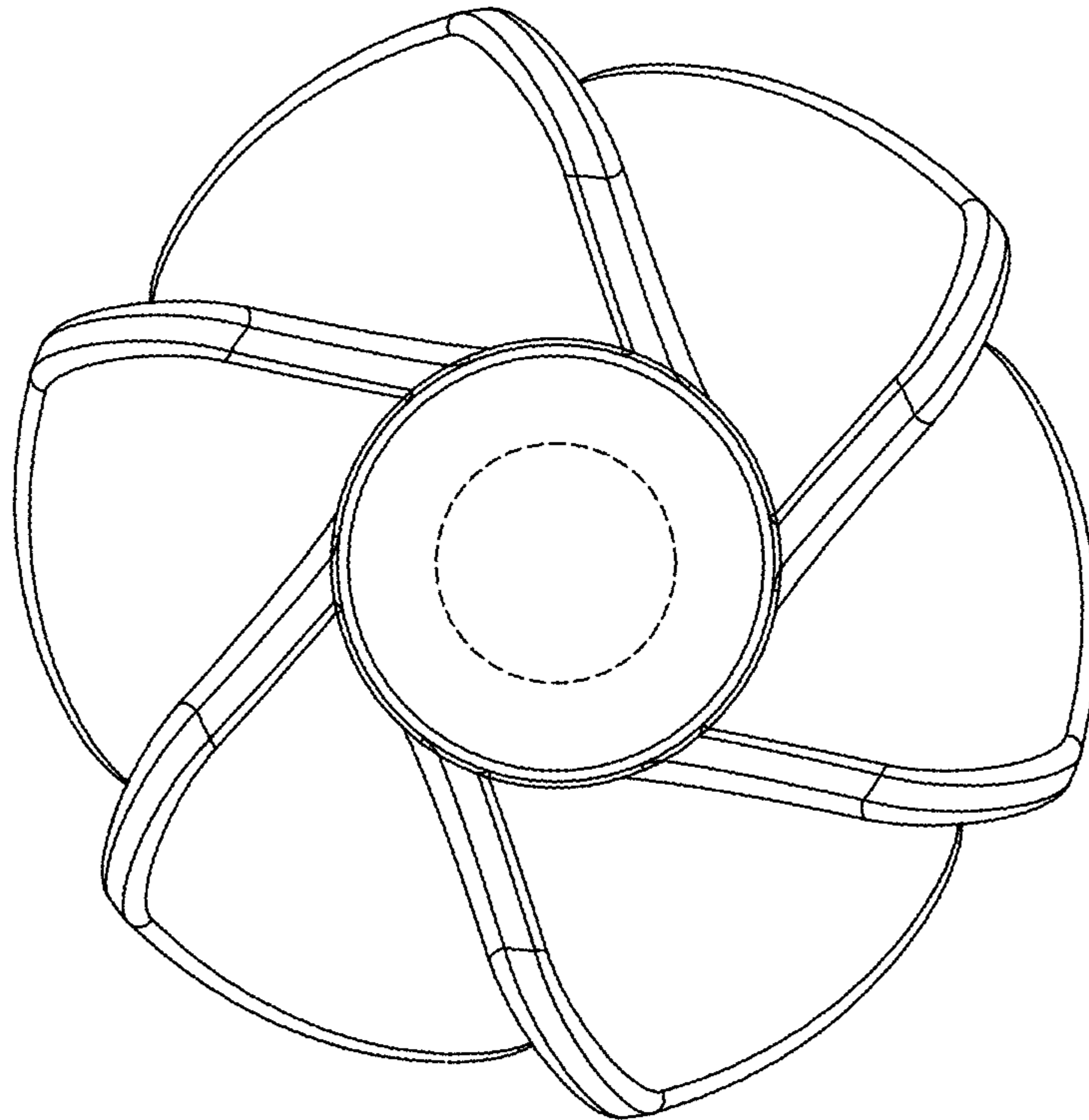


FIG 5

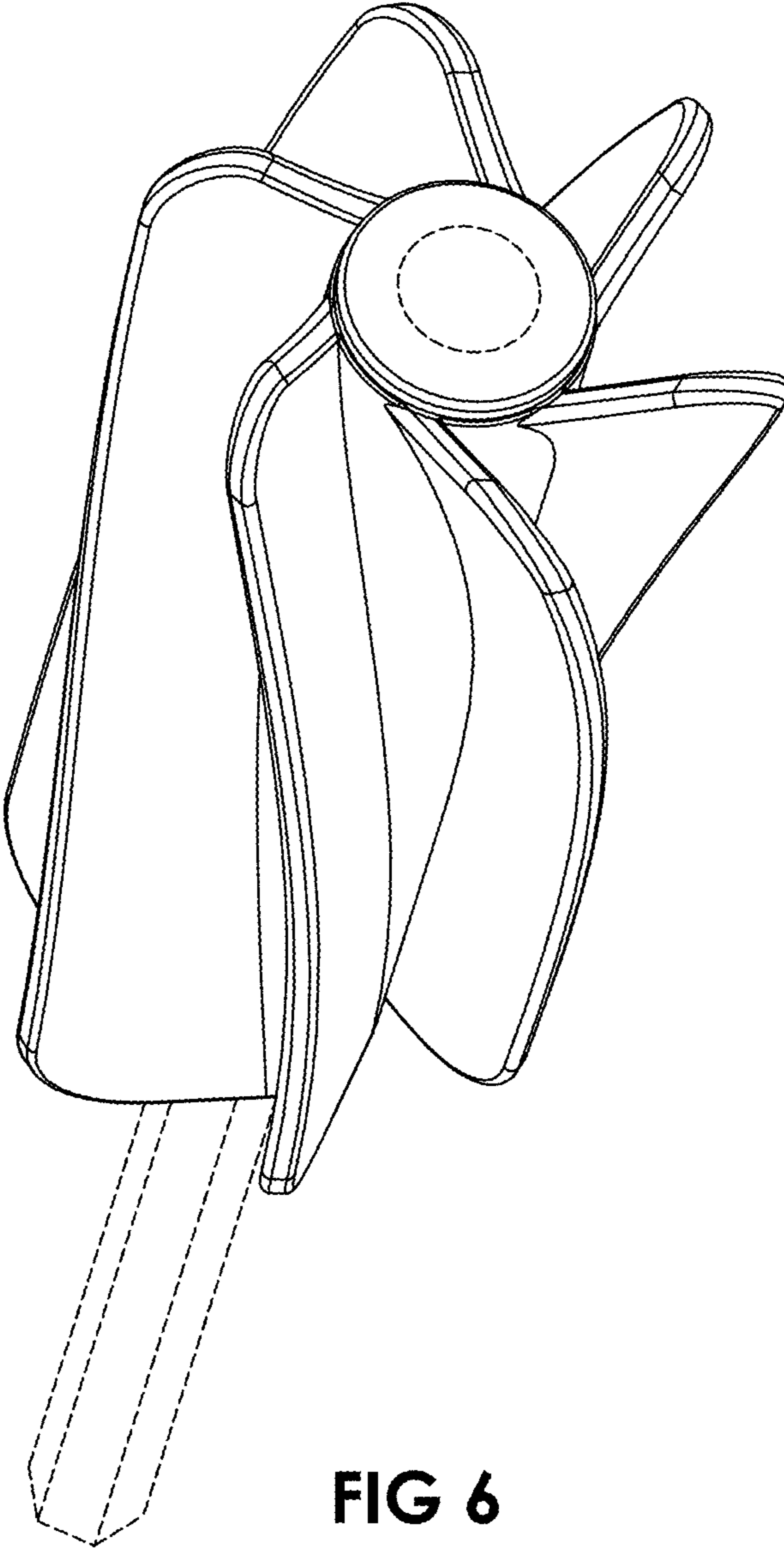


FIG 6

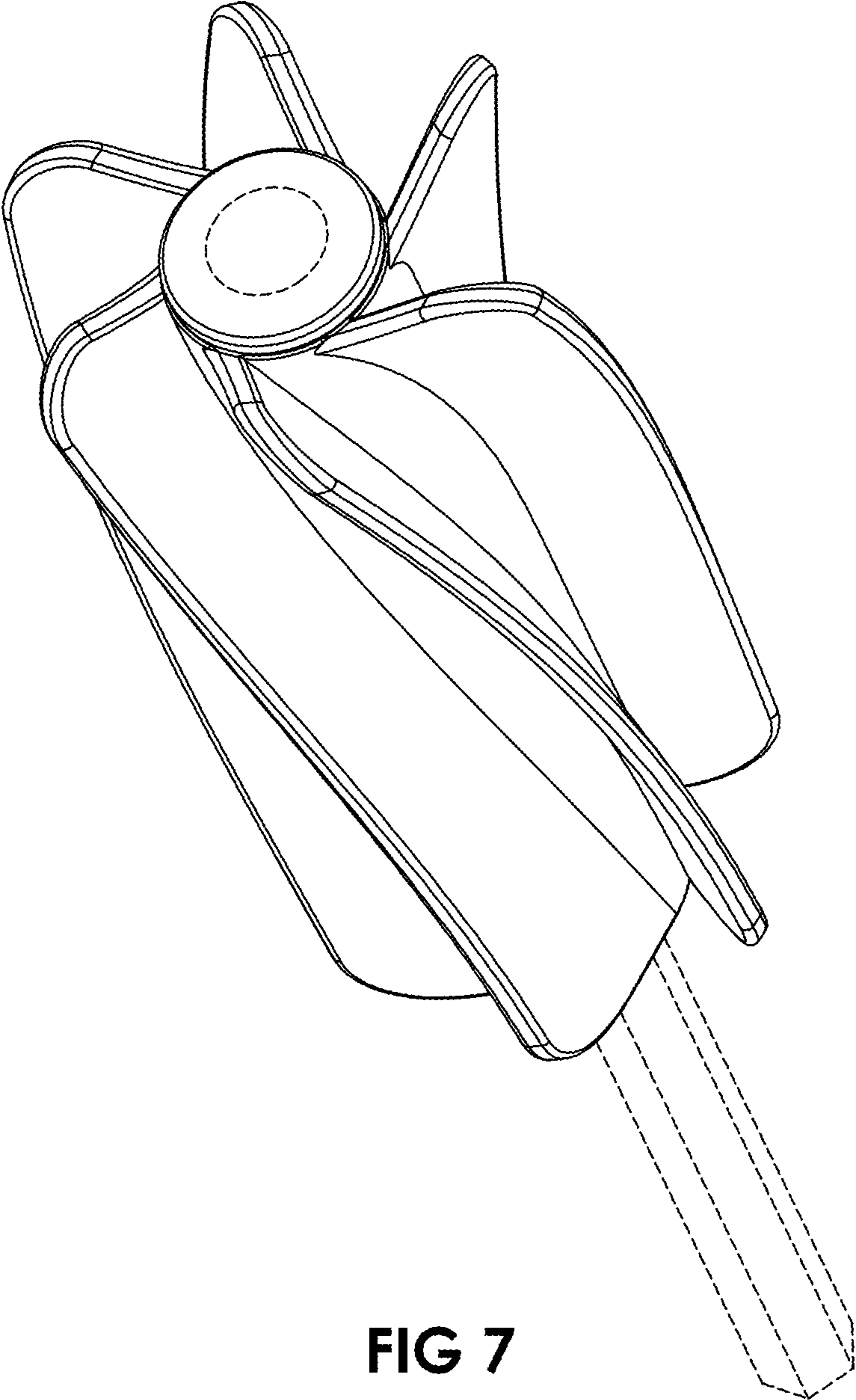


FIG 7

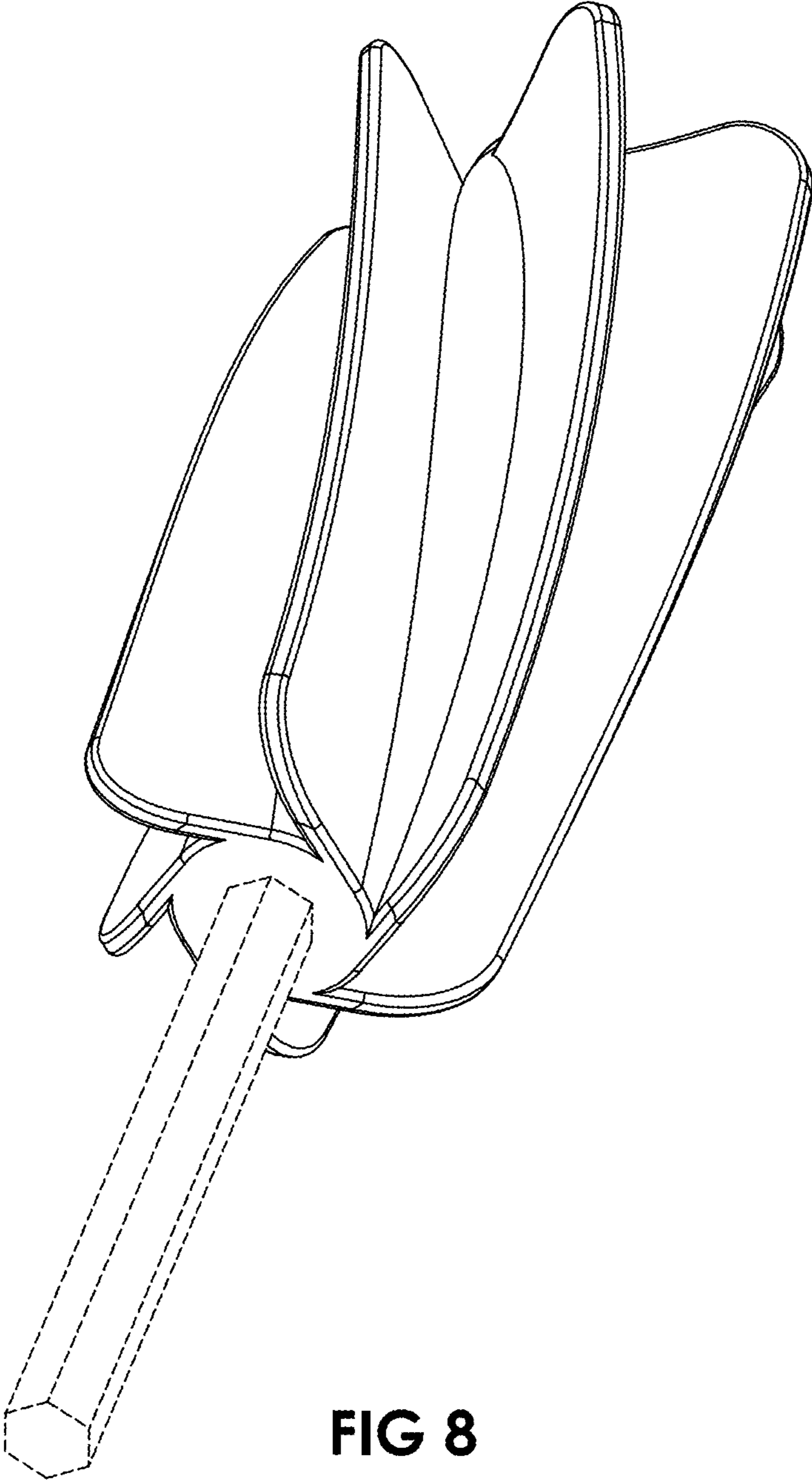


FIG 8

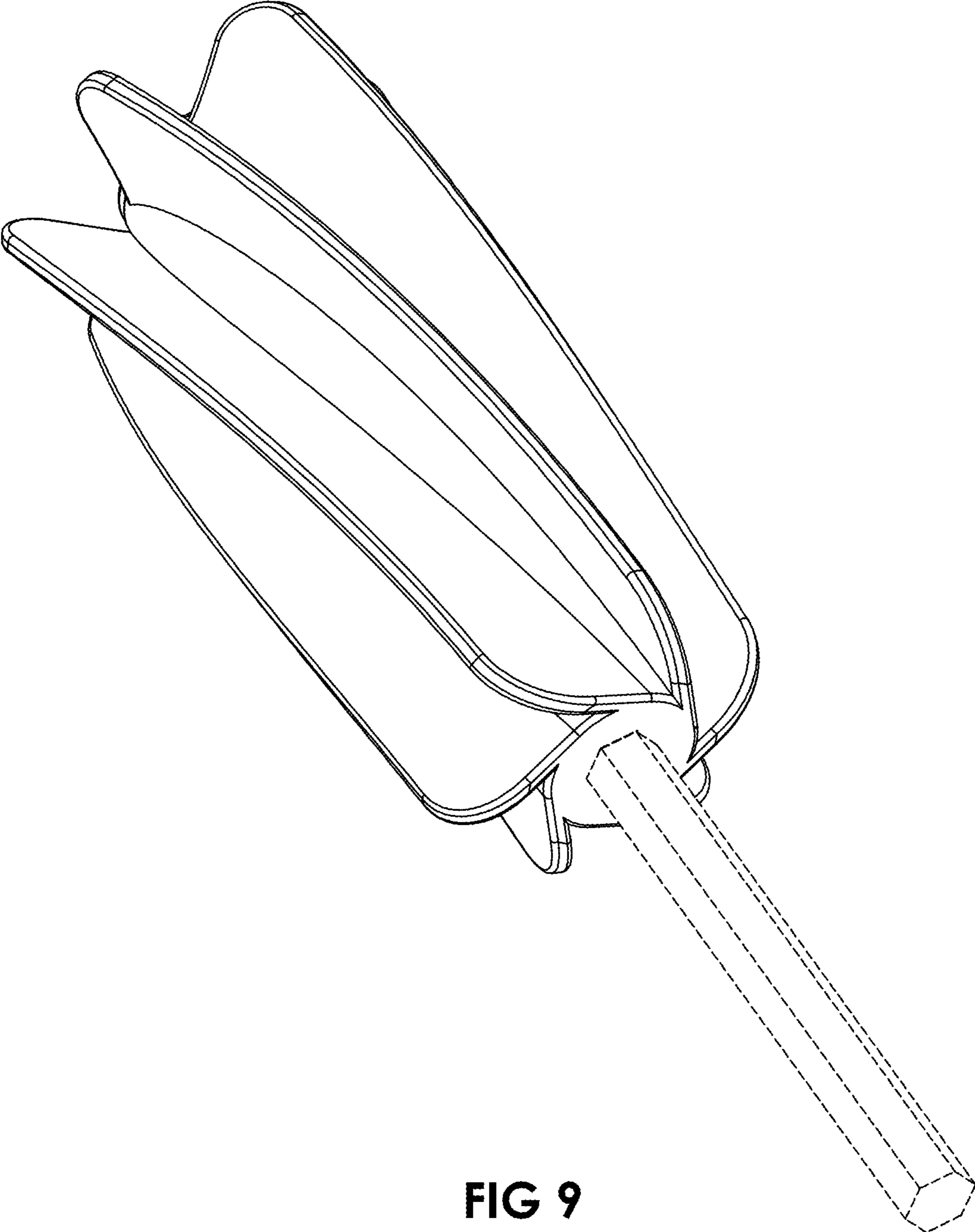


FIG 9