



US00D936418S

(12) **United States Design Patent** (10) **Patent No.:** **US D936,418 S**
Berberet et al. (45) **Date of Patent:** **** Nov. 23, 2021**

(54) **GAS GRATE**

- (71) Applicant: **WHIRLPOOL CORPORATION**,
Benton Harbor, MI (US)
- (72) Inventors: **Suzanne M. Berberet**, St. Joseph, MI
(US); **Michael C. Lah**, Benton Harbor,
MI (US)
- (73) Assignee: **Whirlpool Corporation**, Benton
Harbor, MI (US)
- (**) Term: **15 Years**
- (21) Appl. No.: **29/747,793**
- (22) Filed: **Aug. 25, 2020**

Related U.S. Application Data

- (62) Division of application No. 29/641,020, filed on Mar.
19, 2018, now Pat. No. Des. 896,585.
- (51) **LOC (13) Cl.** **07-99**
- (52) **U.S. Cl.**
USPC **D7/408**
- (58) **Field of Classification Search**
USPC D7/339-341, 346, 347, 362, 402,
D7/407-409; D23/397, 402

(Continued)

(56) **References Cited**

U.S. PATENT DOCUMENTS

- D251,106 S 2/1979 Petursson
- D282,139 S 1/1986 Radford

(Continued)

Primary Examiner — Susan E Krakower
Assistant Examiner — Andrew Kerr
 (74) *Attorney, Agent, or Firm* — Price Heneveld LLP

(57) **CLAIM**

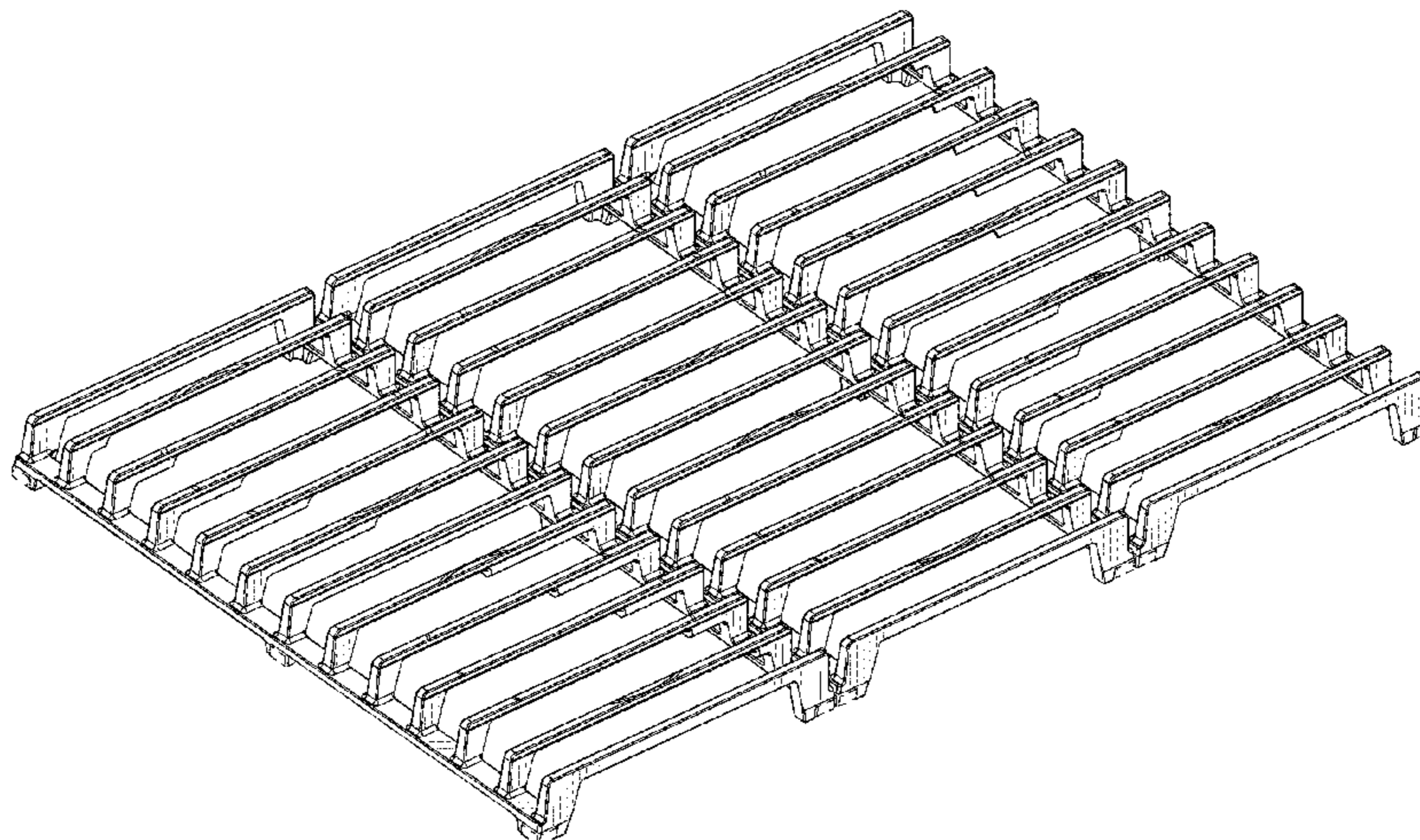
We claim the ornamental design for a gas grate, as shown and described.

DESCRIPTION

FIG. 1 is a top perspective view of a gas grate of the present disclosure;

FIG. 2 is a first side elevational view of the gas grate of FIG. 1;
 FIG. 3 is a second side elevational view of the gas grate of FIG. 1;
 FIG. 4 is a third side elevational view of the gas grate of FIG. 1;
 FIG. 5 is a fourth side elevational view of the gas grate of FIG. 1;
 FIG. 6 is a top plan view of the gas grate of FIG. 1;
 FIG. 7 is a bottom plan view of the gas grate of FIG. 1;
 FIG. 8 is a bottom perspective view of the gas grate of FIG. 1;
 FIG. 9 is a top perspective view of a gas grate of the present disclosure;
 FIG. 10 is a first side elevational view of the gas grate of FIG. 9;
 FIG. 11 is a second side elevational view of the gas grate of FIG. 9;
 FIG. 12 is a third side elevational view of the gas grate of FIG. 9;
 FIG. 13 is a fourth side elevational view of the gas grate of FIG. 9;
 FIG. 14 is a top plan view of the gas grate of FIG. 9;
 FIG. 15 is a bottom plan view of the gas grate of FIG. 9;
 FIG. 16 is a bottom perspective view of the gas grate of FIG. 9;
 FIG. 17 is a top perspective view of a gas grate of the present disclosure;
 FIG. 18 is a first side elevational view of the gas grate of FIG. 17;
 FIG. 19 is a second side elevational view of the gas grate of FIG. 17;
 FIG. 20 is a third side elevational view of the gas grate of FIG. 17;
 FIG. 21 is a fourth side elevational view of the gas grate of FIG. 17;
 FIG. 22 is a top plan view of the gas grate of FIG. 17;
 FIG. 23 is a bottom plan view of the gas grate of FIG. 17;
 and,
 FIG. 24 is a bottom perspective view of the gas grate of FIG. 17.

(Continued)



The broken lines depict portions of the article that form no part of the claimed design.

1 Claim, 15 Drawing Sheets

(58) **Field of Classification Search**

CPC F24C 15/107; F24C 15/36; F24C 3/08;
F24C 3/082; F24C 7/067; F24C 7/062;
A47J 37/0709

See application file for complete search history.

(56) **References Cited**

U.S. PATENT DOCUMENTS

D293,069 S 12/1987 Cerola
D293,070 S 12/1987 Cerola
D303,605 S 9/1989 Davis et al.
D343,989 S 2/1994 Falk
D346,306 S 4/1994 Falk
D361,015 S 8/1995 Doty et al.
D364,535 S 11/1995 Moore
D369,062 S 4/1996 Holbrook, Jr.
D378,885 S 4/1997 Sparks
D383,355 S 9/1997 Uter
D393,567 S 4/1998 Ashcraft et al.
D393,774 S 4/1998 Ashcraft et al.
D401,112 S 11/1998 Miller

D427,487 S 7/2000 Holbrook
D551,501 S 9/2007 Baldwin
D610,405 S 2/2010 McConnell
D651,464 S 1/2012 Funnell et al.
D702,497 S 4/2014 Funnell, II et al.
D704,509 S 5/2014 Funnell, II et al.
D758,797 S 6/2016 Lee et al.
D767,324 S 9/2016 Funnell, II et al.
D790,905 S 7/2017 Sajjad et al.
D812,425 S 3/2018 Reischmann et al.
D820,042 S * 6/2018 Hollinger D7/409
D825,249 S * 8/2018 Kang D7/340
D827,358 S * 9/2018 Kang D7/346
D840,752 S 2/2019 Kamper et al.
D846,944 S * 4/2019 Incukur D7/408
D852,581 S 7/2019 Hackley
D855,375 S * 8/2019 Kim D7/340
D855,376 S * 8/2019 Kim D7/340
D859,916 S * 9/2019 Nilssen D7/409
D869,236 S * 12/2019 Kellermann D7/409
D874,865 S * 2/2020 Lim D7/346
D889,185 S * 7/2020 Kim D7/340
D891,863 S * 8/2020 Burch D7/408
D894,663 S * 9/2020 Harrell D7/346
D896,584 S * 9/2020 Harrell D7/408
2003/0022052 A1 1/2003 Kearl
2008/0087269 A1* 4/2008 Kang A47J 37/067
126/25 A
2008/0264404 A1 10/2008 Hoyles et al.
2010/0199967 A1 8/2010 Wieczorek

* cited by examiner

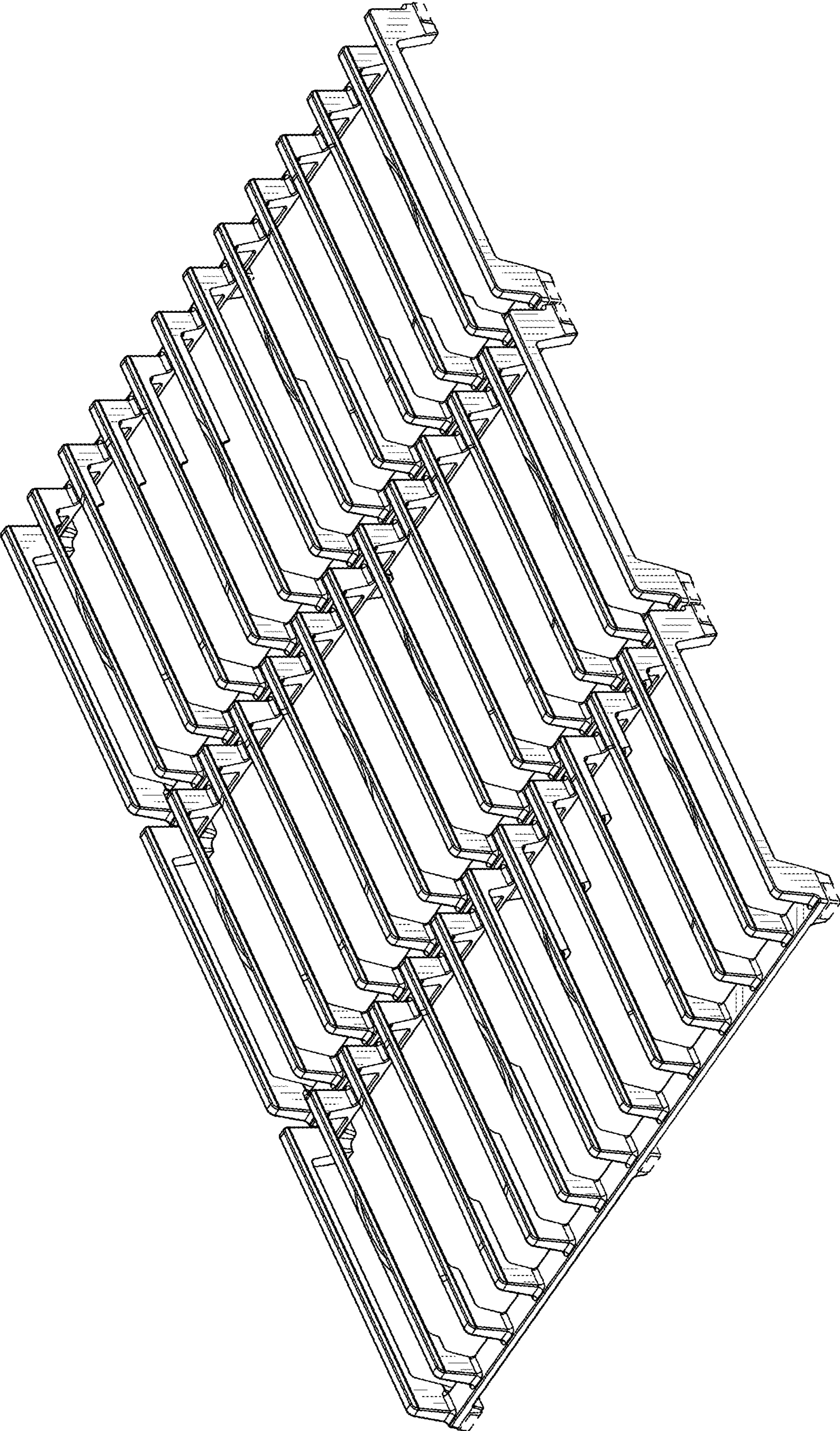


FIG. 1

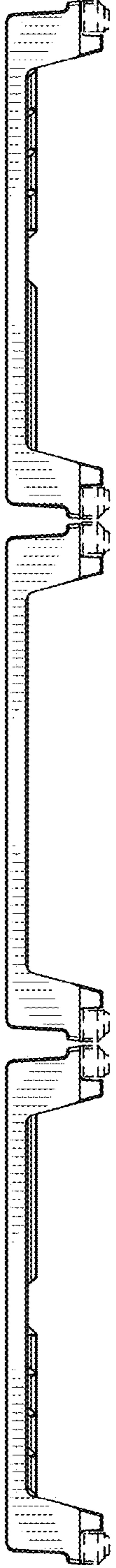


FIG. 2

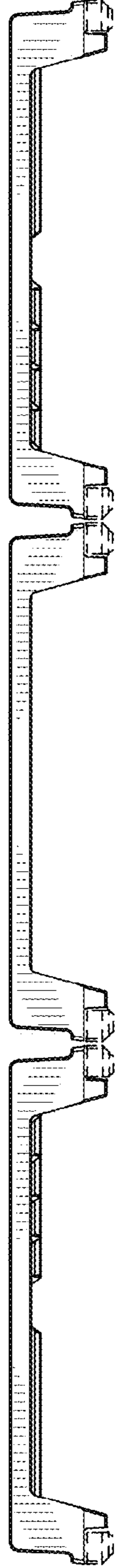


FIG. 3

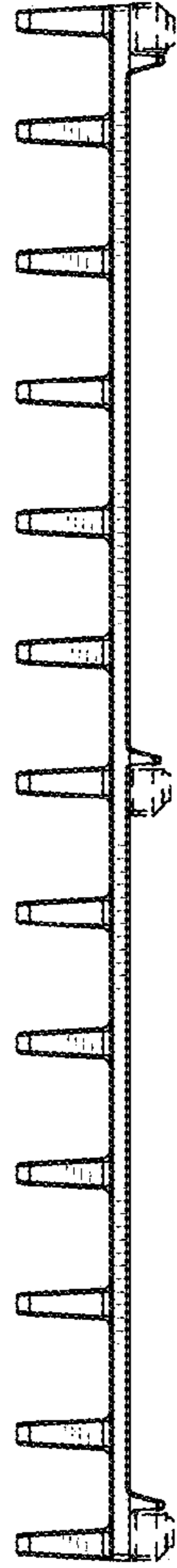


FIG. 4

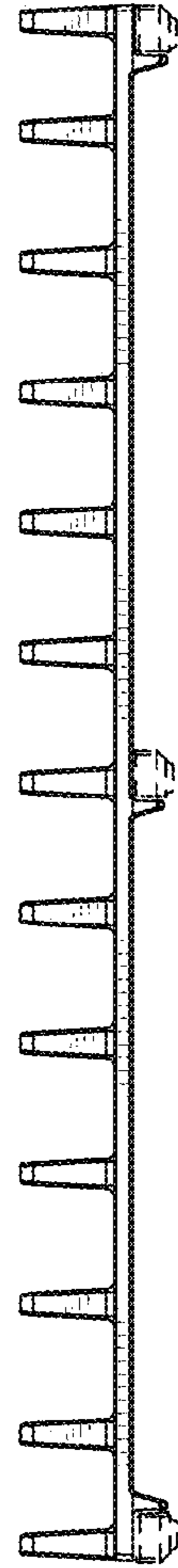


FIG. 5

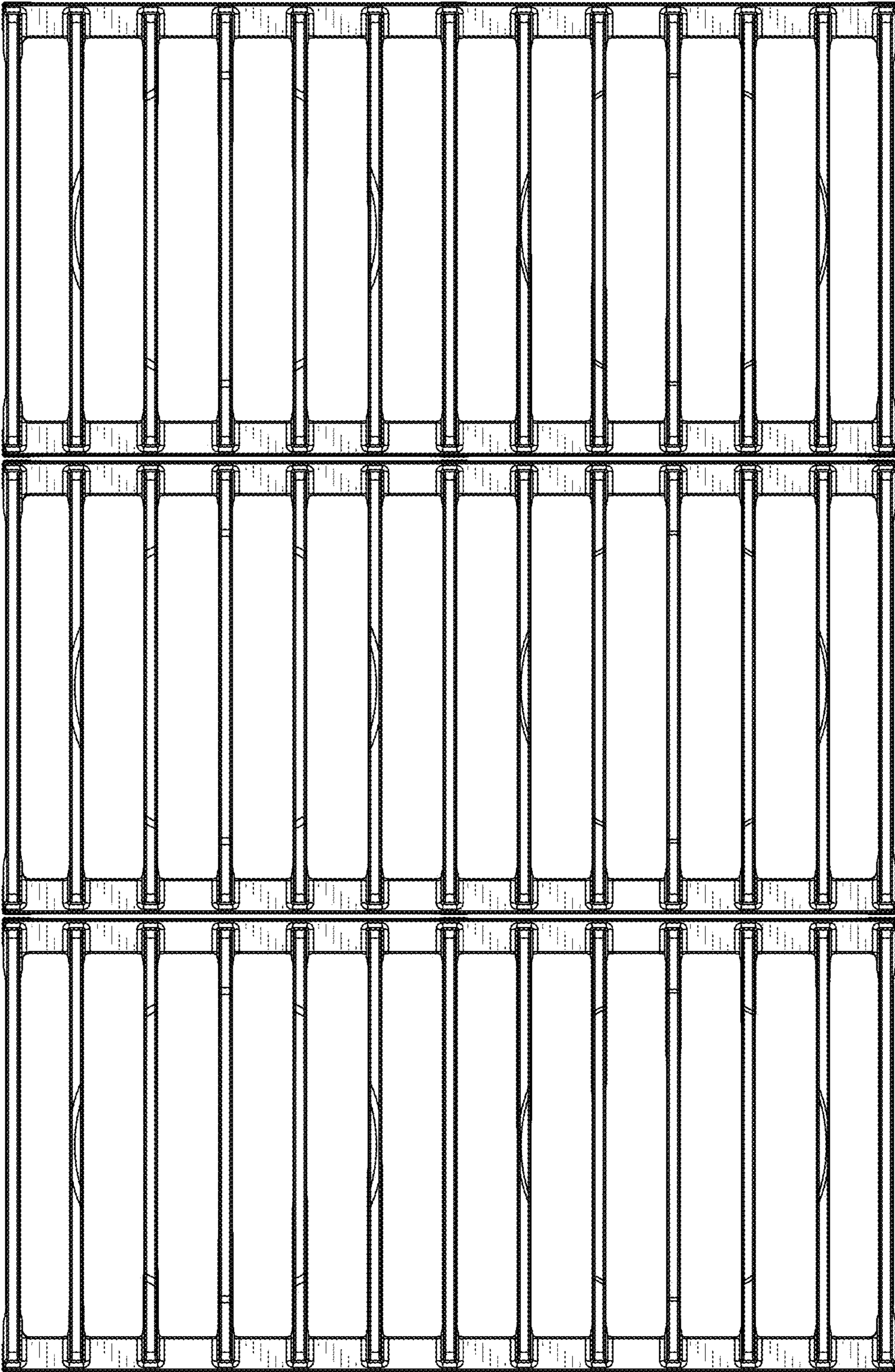


FIG. 6

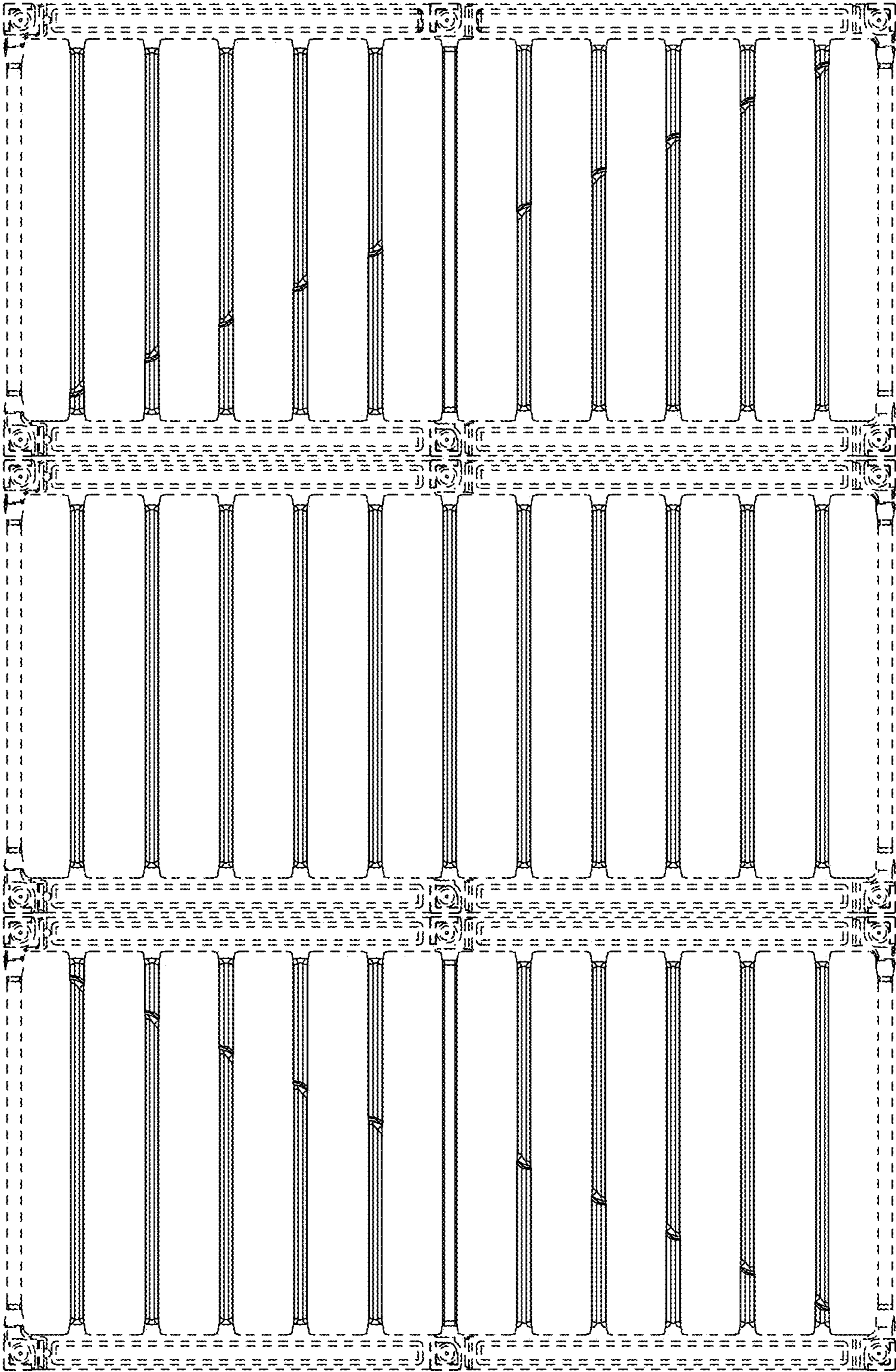


FIG. 7

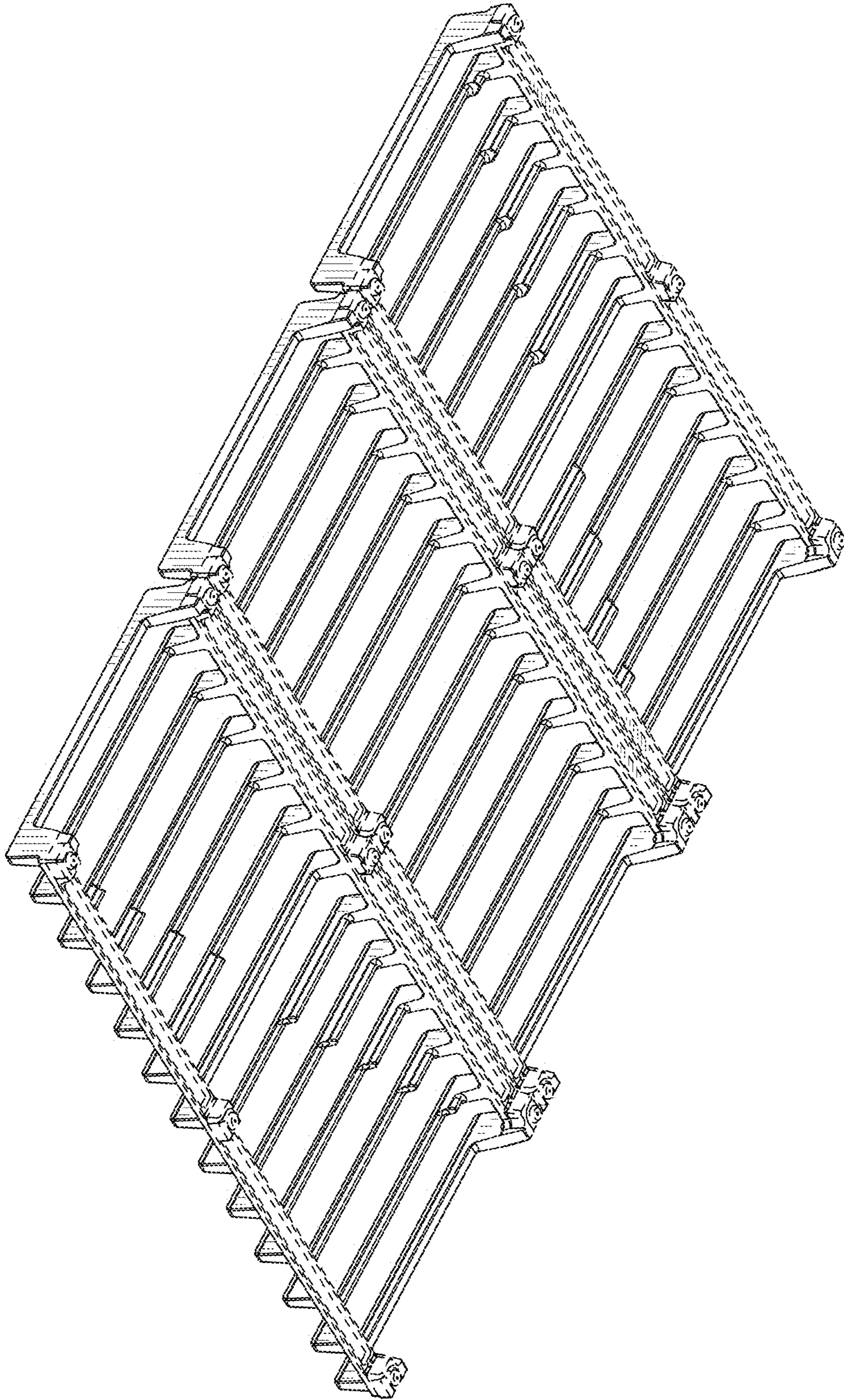


FIG. 8

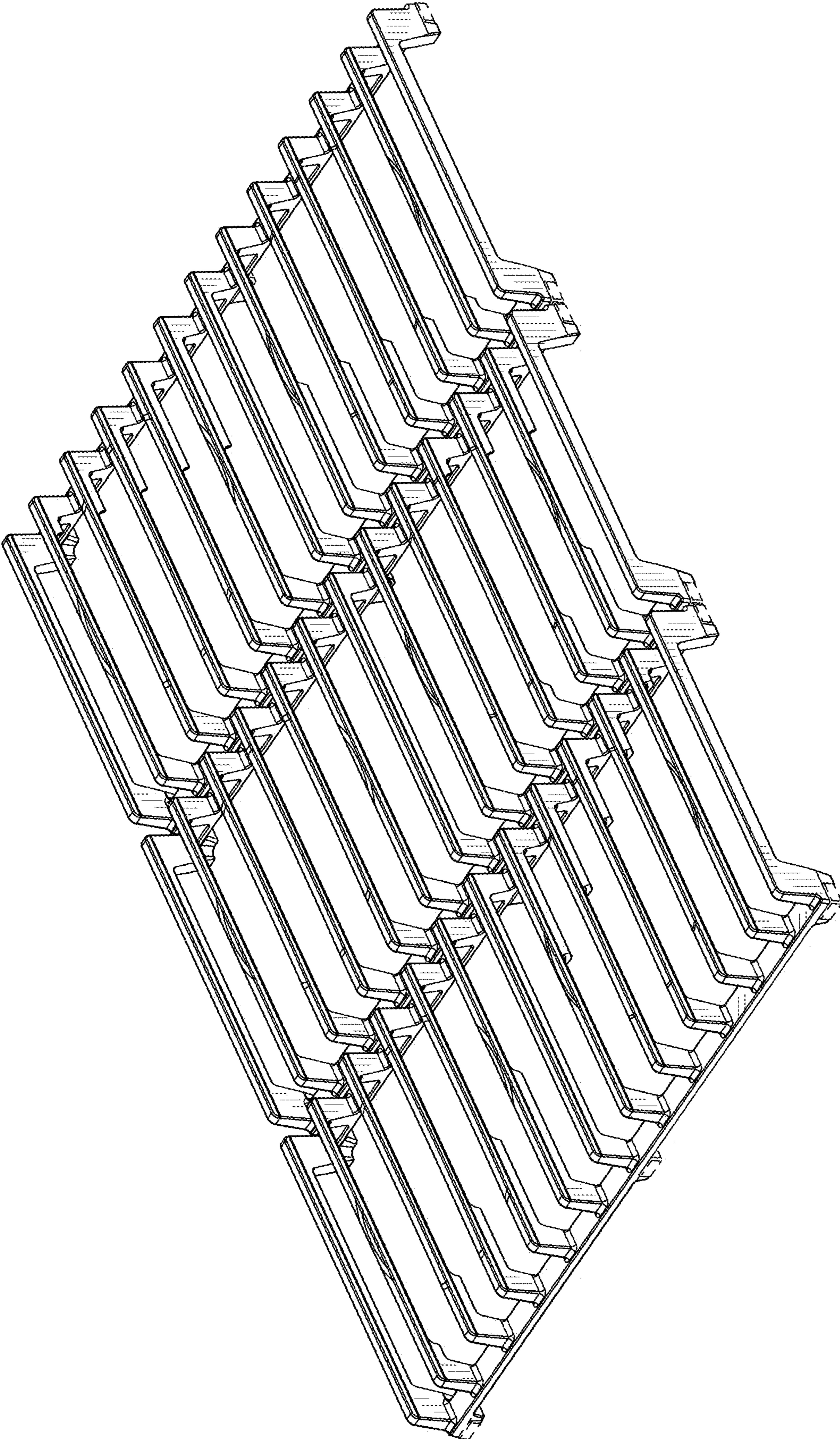


FIG. 9

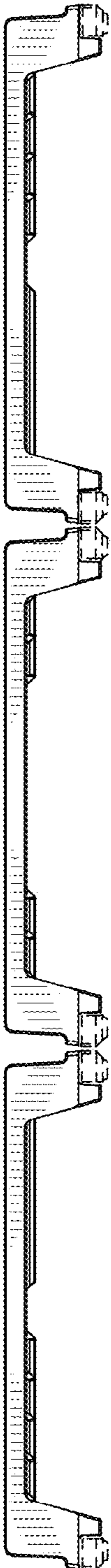


FIG. 10

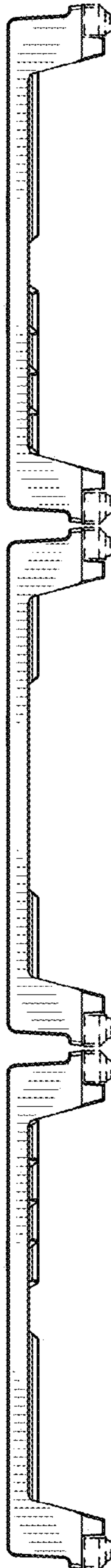


FIG. 11

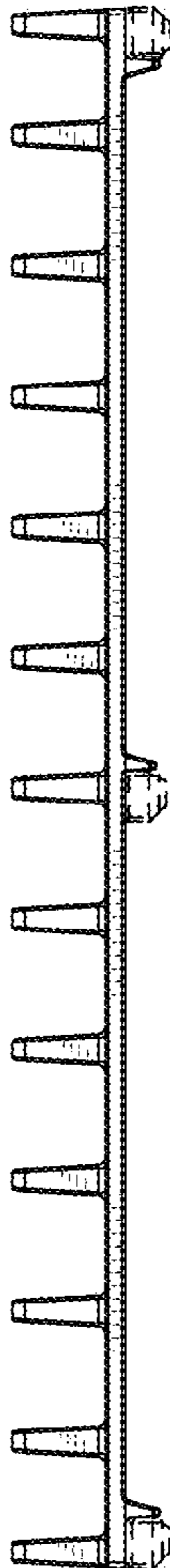


FIG. 12

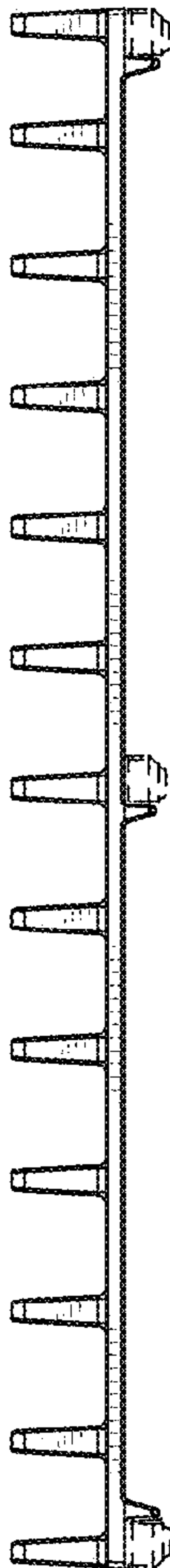


FIG. 13

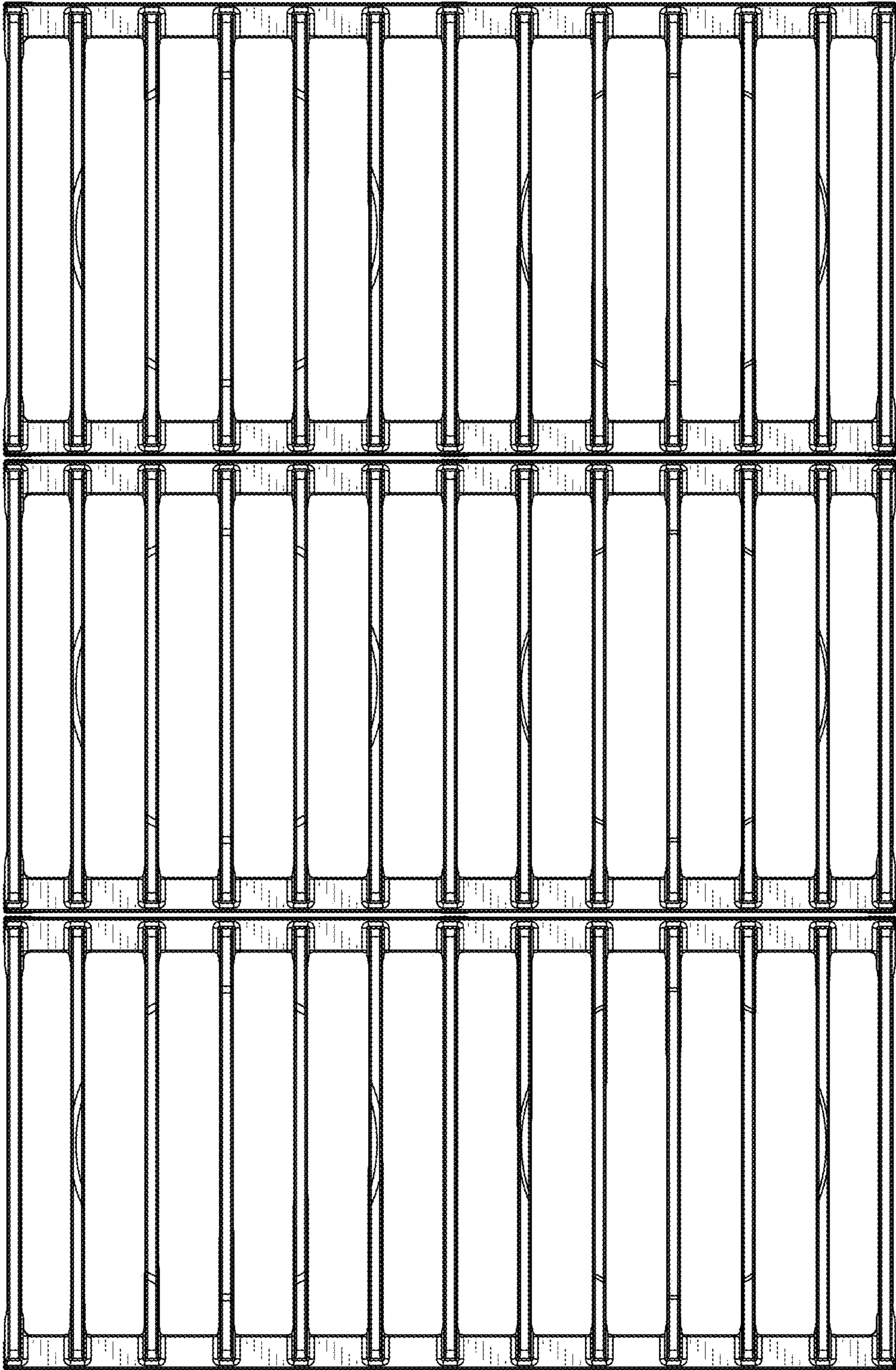


FIG. 14

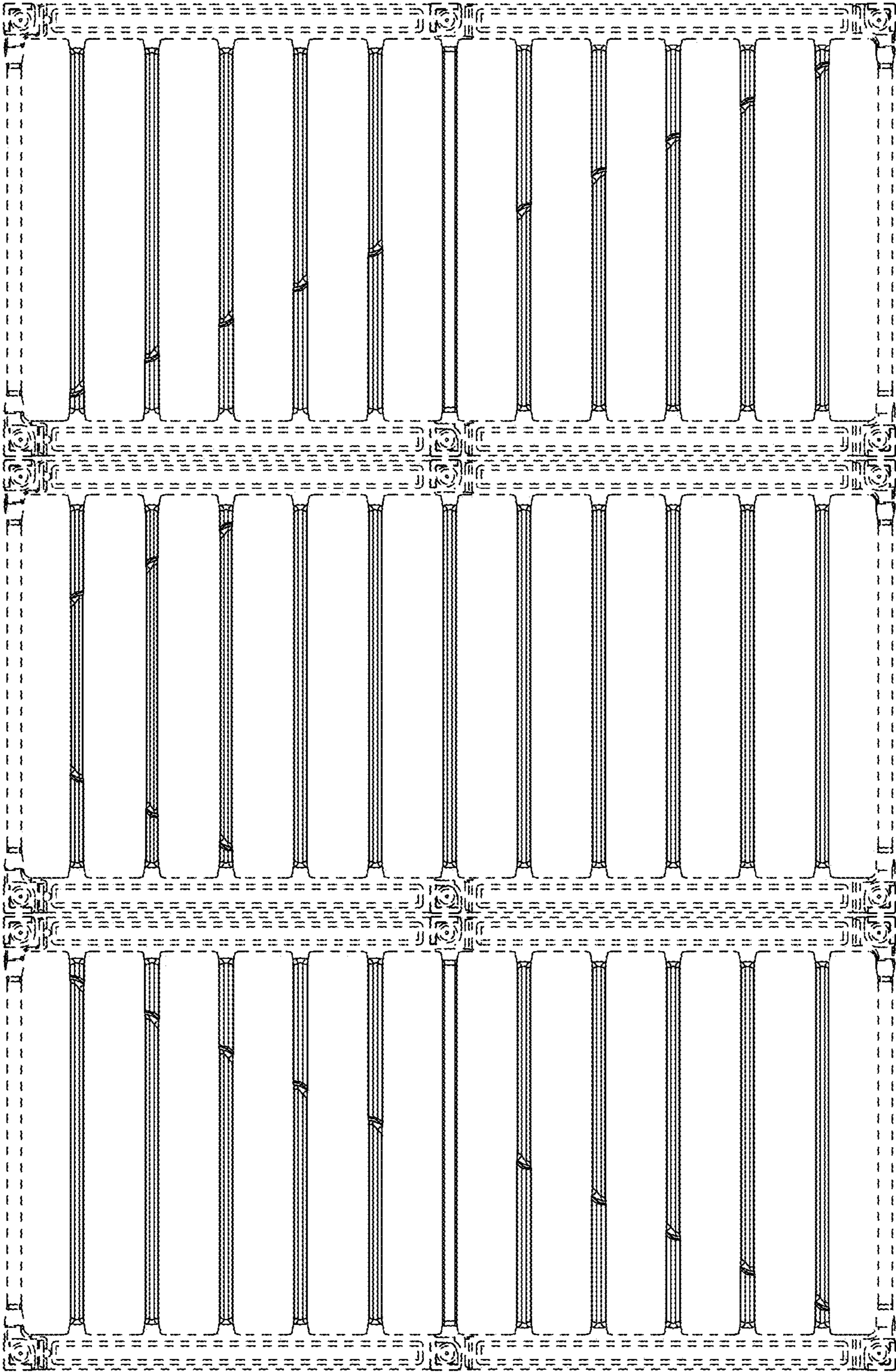


FIG. 15

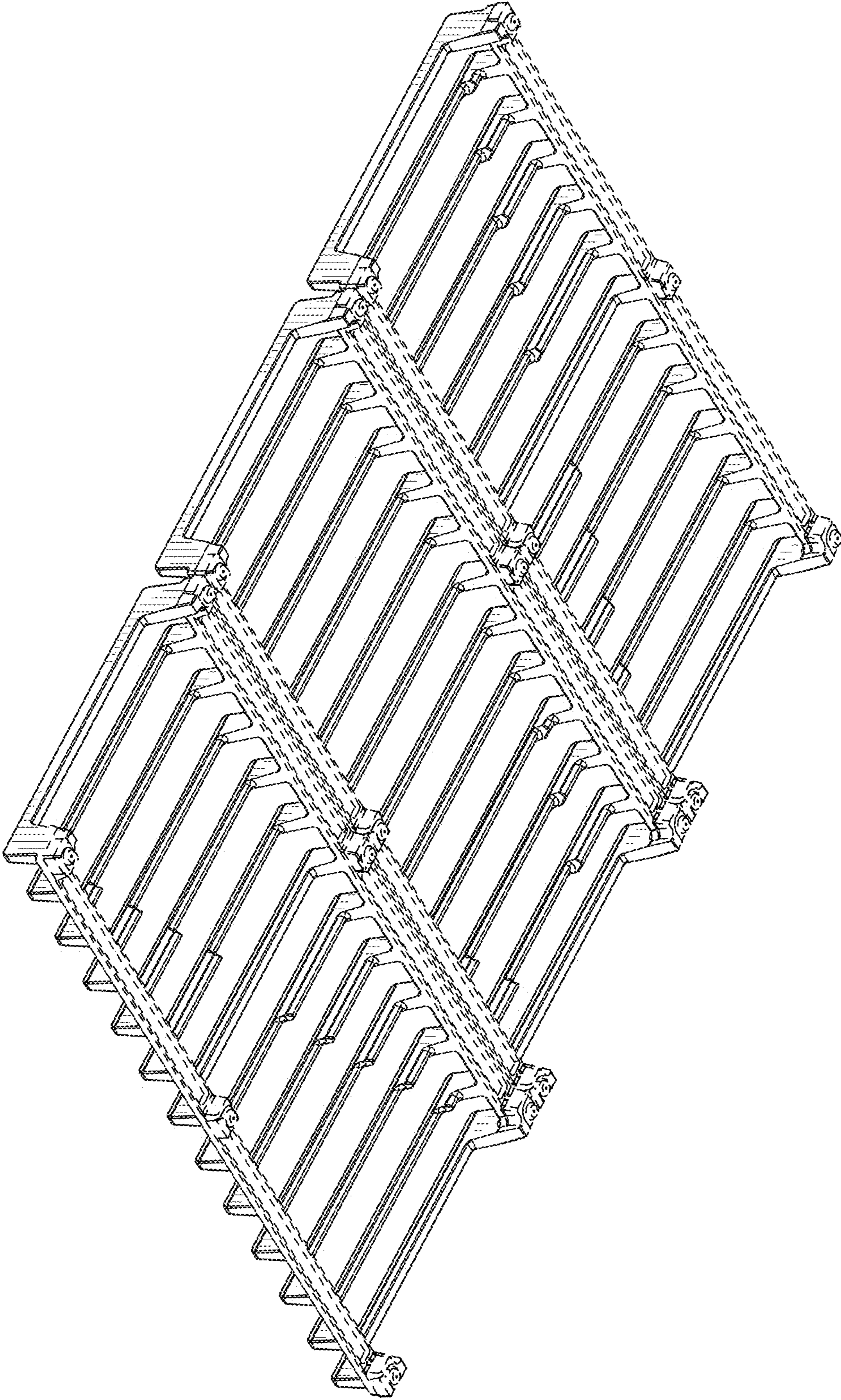


FIG. 16

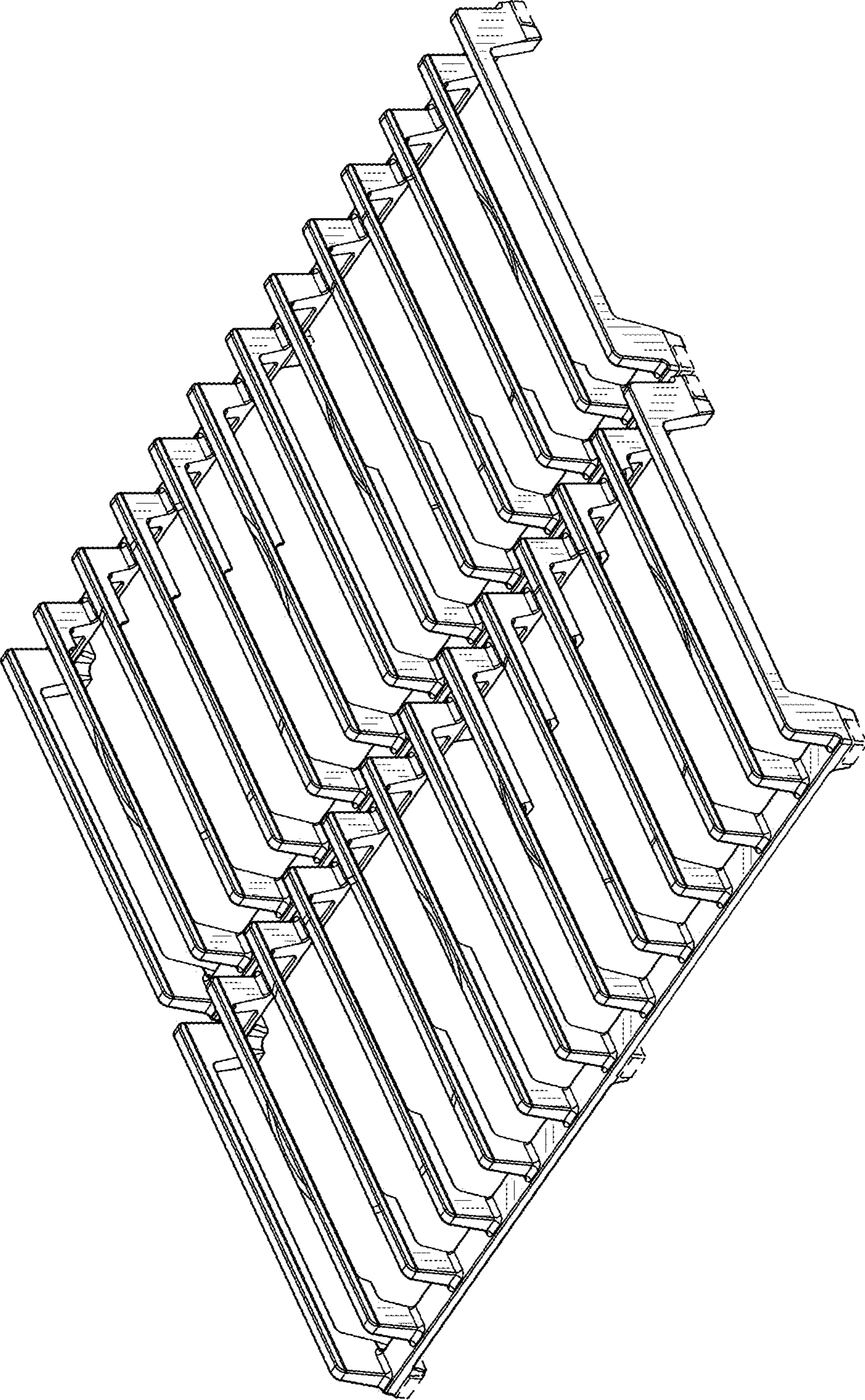


FIG. 17

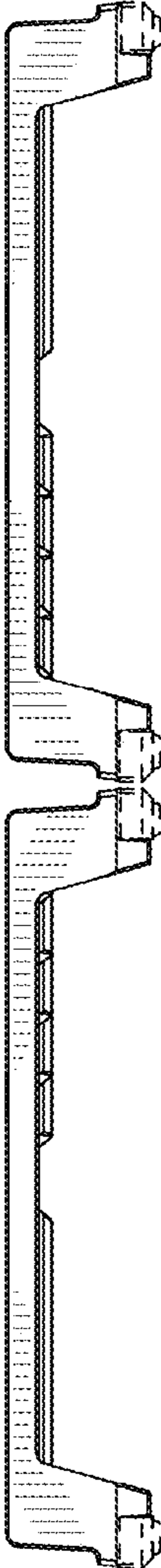


FIG. 18

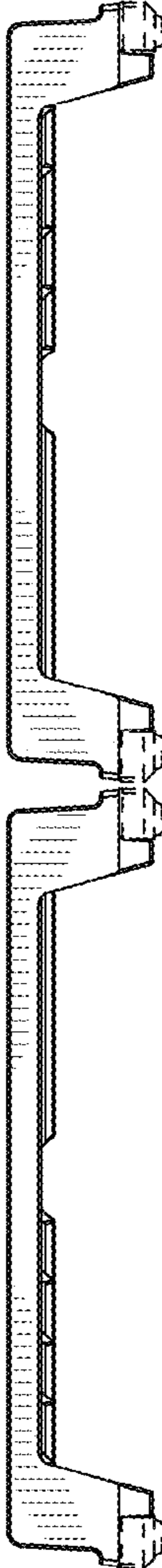


FIG. 19

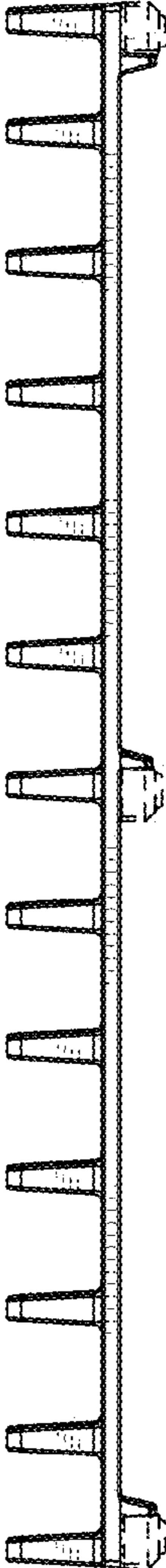


FIG. 20

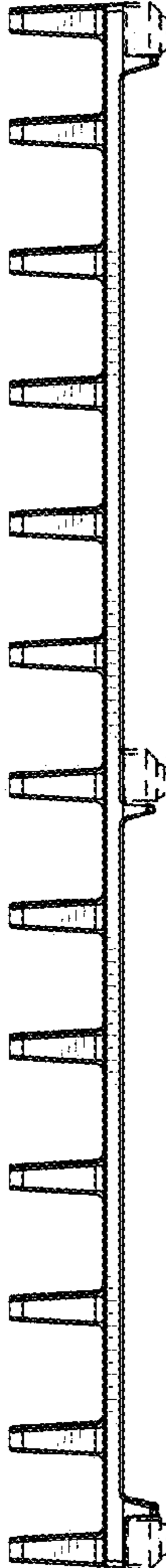


FIG. 21

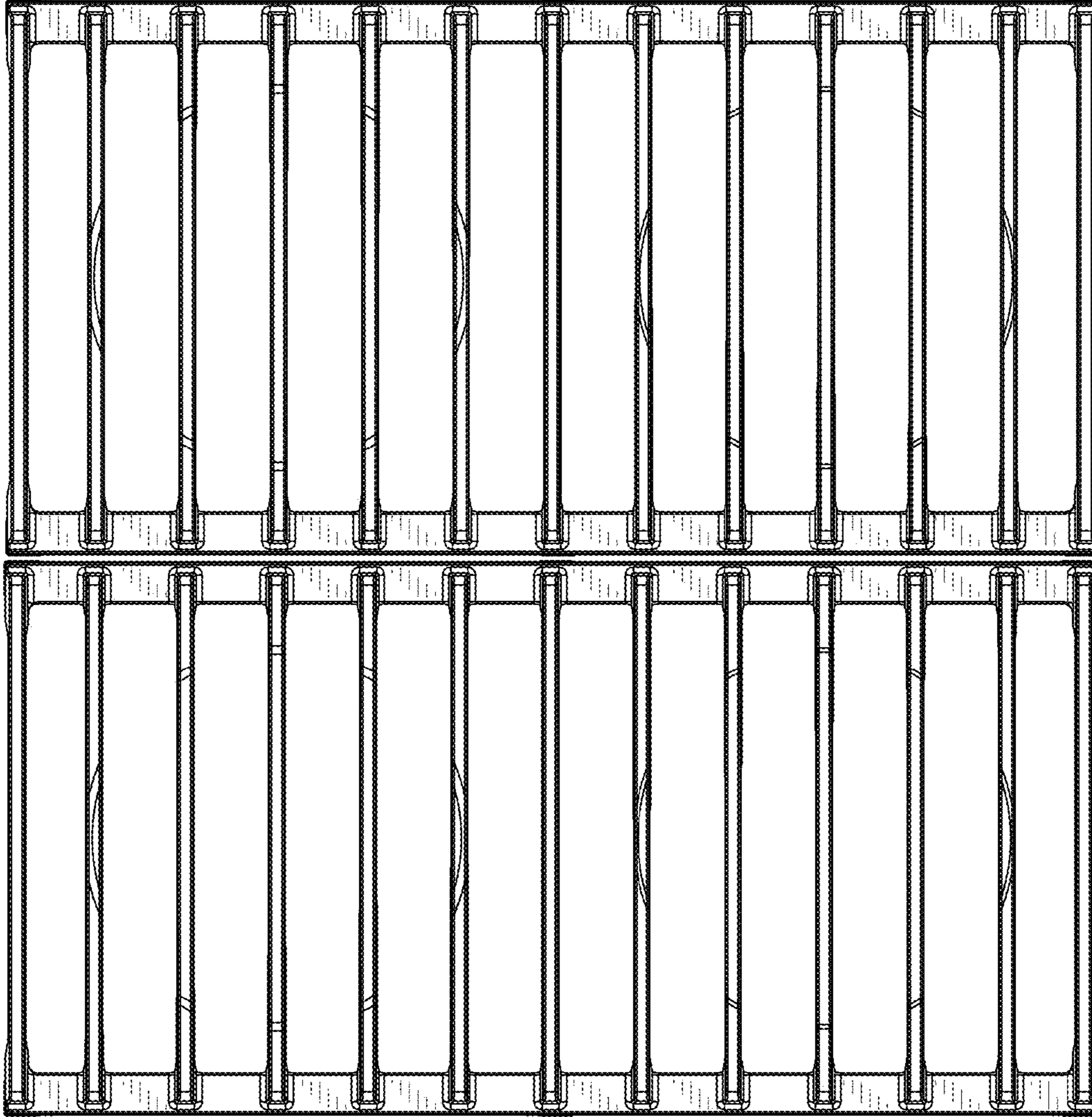


FIG. 22

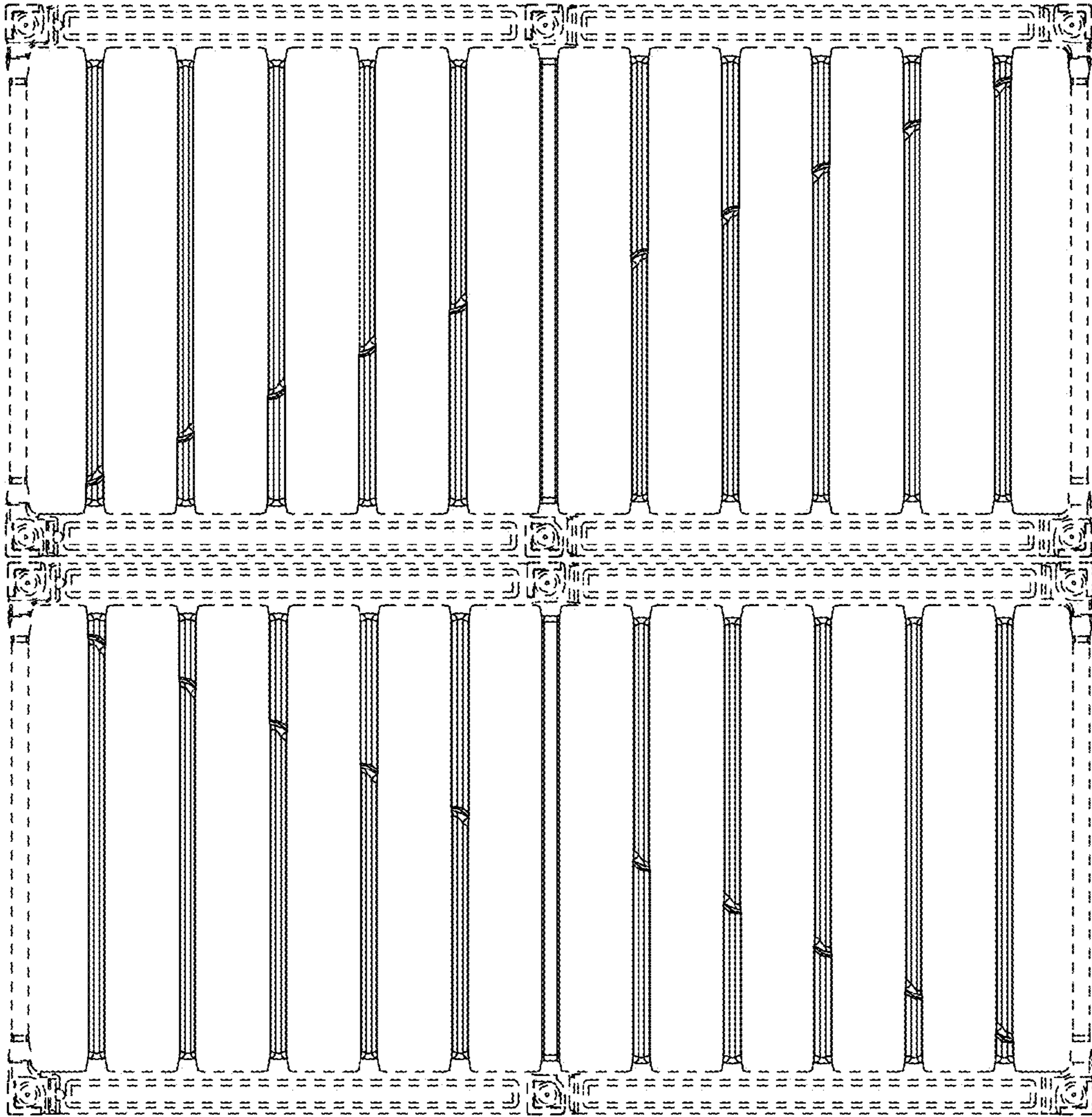


FIG. 23

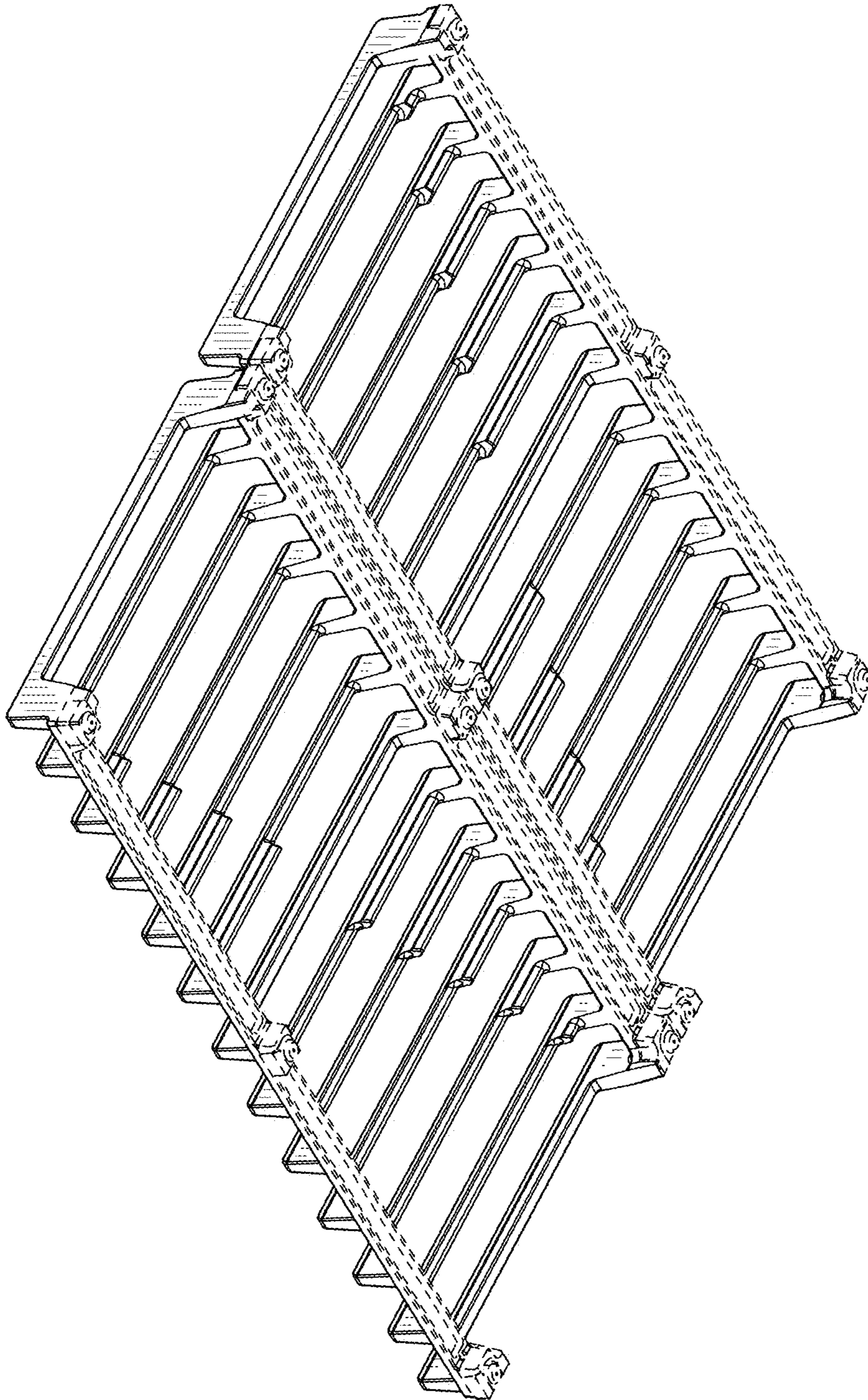


FIG. 24