



US00D936416S

(12) **United States Design Patent**
Yang

(10) **Patent No.:** **US D936,416 S**

(45) **Date of Patent:** **** Nov. 23, 2021**

(54) **COFFEE POWDER FILLING TOOL**

(71) Applicant: **Xiantao Yang**, Hu'nan (CN)

(72) Inventor: **Xiantao Yang**, Hu'nan (CN)

(**) Term: **15 Years**

(21) Appl. No.: **29/716,770**

(22) Filed: **Dec. 12, 2019**

(51) **LOC (13) Cl.** **07-02**

(52) **U.S. Cl.**
USPC **D7/400**

(58) **Field of Classification Search**
USPC D7/300, 387, 397, 399, 400, 401, 500,
D7/533, 536, 560-565, 584, 585, 590,
D7/600.1, 600.2, 600.4, 601, 602, 607,
D7/608, 619.1, 667, 700, 704; D6/677,
D6/677.5, 680, 682; D9/416, 424, 425,
D9/427-429, 438, 443, 447, 454, 500,
D9/516, 520; D23/213, 259, 262;
D8/382, 396

CPC .. A47J 31/00; A47J 31/02; A47J 31/06; A47J
31/0605; A47J 31/061; A47J 31/0636;
A47J 31/0642; A47J 31/0663; A47J
31/0668; A47J 31/0689; A47J 31/08;
A47J 31/20; A47J 31/44; A47J
2031/0694; B65D 85/8043; B65D
85/8046

See application file for complete search history.

(56) **References Cited**

U.S. PATENT DOCUMENTS

D4,260 S * 7/1870 Doyle D9/503
1,368,640 A * 2/1921 Melchior B67C 11/02
141/340
3,603,358 A * 9/1971 Mallindine B44D 3/128
141/98
D228,053 S * 8/1973 Knox D7/309
3,811,373 A * 5/1974 Telco B65D 85/8043
99/295

D266,860 S * 11/1982 Nelson D21/717
4,503,572 A * 3/1985 Dawson A61J 19/00
220/521
D349,211 S * 8/1994 Cerato D7/400
5,762,120 A * 6/1998 Smith B65B 39/00
141/331
D400,397 S * 11/1998 Stephan D7/510
D460,804 S * 7/2002 Bonzer D23/213
D577,253 S * 9/2008 Bodum D7/399
D696,388 S * 12/2013 Letnik D23/259
8,689,987 B2 * 4/2014 Lewis A61J 9/00
215/211
D765,468 S * 9/2016 Yen 7/392.1

(Continued)

OTHER PUBLICATIONS

Fellow Stagg Pour Over Brewing Set, first available Octobers, 2017, Amazon, [online], [site visited Apr. 15, 2021], Available from internet URL: <https://www.amazon.com/Pour-Over-Brewing-Dripper-Tasting-filters/dp/B0764XLSLS> (Year: 2017).*

(Continued)

Primary Examiner — Mary Ann Calabrese
Assistant Examiner — Natalya M Rapundalo

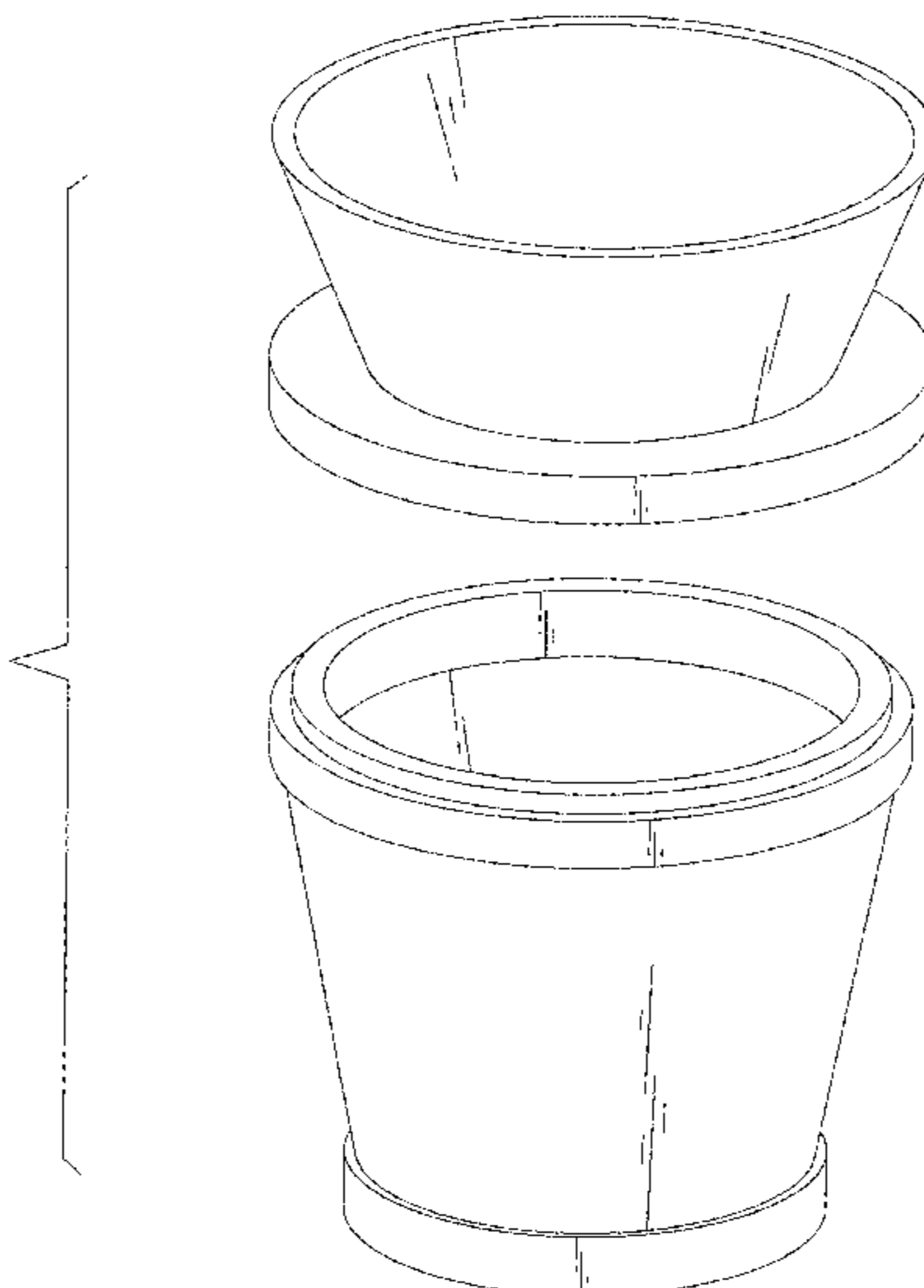
(57) **CLAIM**

The ornamental design for a coffee powder filling tool, as shown and described.

DESCRIPTION

FIG. 1 is an exploded perspective view of the coffee pod filling tool holder showing the claimed design;
FIG. 2 is a non-exploded perspective view thereof;
FIG. 3 is a top plan view thereof;
FIG. 4 is a rear elevational view thereof;
FIG. 5 is a right side view thereof;
FIG. 6 is a bottom plan view thereof;
FIG. 7 is a front elevational view thereof; and,
FIG. 8 is a left side view thereof.

1 Claim, 8 Drawing Sheets



(56)

References Cited

U.S. PATENT DOCUMENTS

D811,226 S	*	2/2018	Logel	D9/516
D812,433 S	*	3/2018	Kwok	7/553.4
D851,994 S	*	6/2019	Brady	D7/507
D871,130 S	*	12/2019	Reiner	A61J 9/00
				D7/391
D882,384 S	*	4/2020	Bastian	D8/382
D883,045 S	*	5/2020	Fudge	D7/700
D894,683 S	*	9/2020	Pola	B67C 11/02
				D7/507
D909,144 S	*	2/2021	Pisarevsky	B65B 39/00
				D7/608

OTHER PUBLICATIONS

Pour Over Coffee Maker Set Kit, first available Jan. 17, 2021, Amazon, [online], [site visited Apr. 15, 2021], Available from internet URL: <https://www.amazon.com/Paperless-Silicone-Collapsible-Insulated-Stainless/dp/B08T7YXNFK> (Year: 2021).*

Design No. 306295539, Aug. 25, 2020—China National Intellectual Property Administration (CNIPA) Publication Date—Jan. 26, 2021 Owner—Suzhou Lv Xiao and His Friends Coffee Trade Co Ltd, Designer—Lv Xiao WIPO, available at <https://www3.wipo.int/designdb/en/index.jsp> (Year: 2021).*

RECAPS Filling Tool Holder, first available Mar. 11, 2020, Amazon, [online], [site visited Jul. 28, 2021], Available from internet URL: <https://www.amazon.com/RECAPS-Filling-Holder-Compatible-Vertuoline/dp/B085RC2LCV> (Year: 2020).*

* cited by examiner

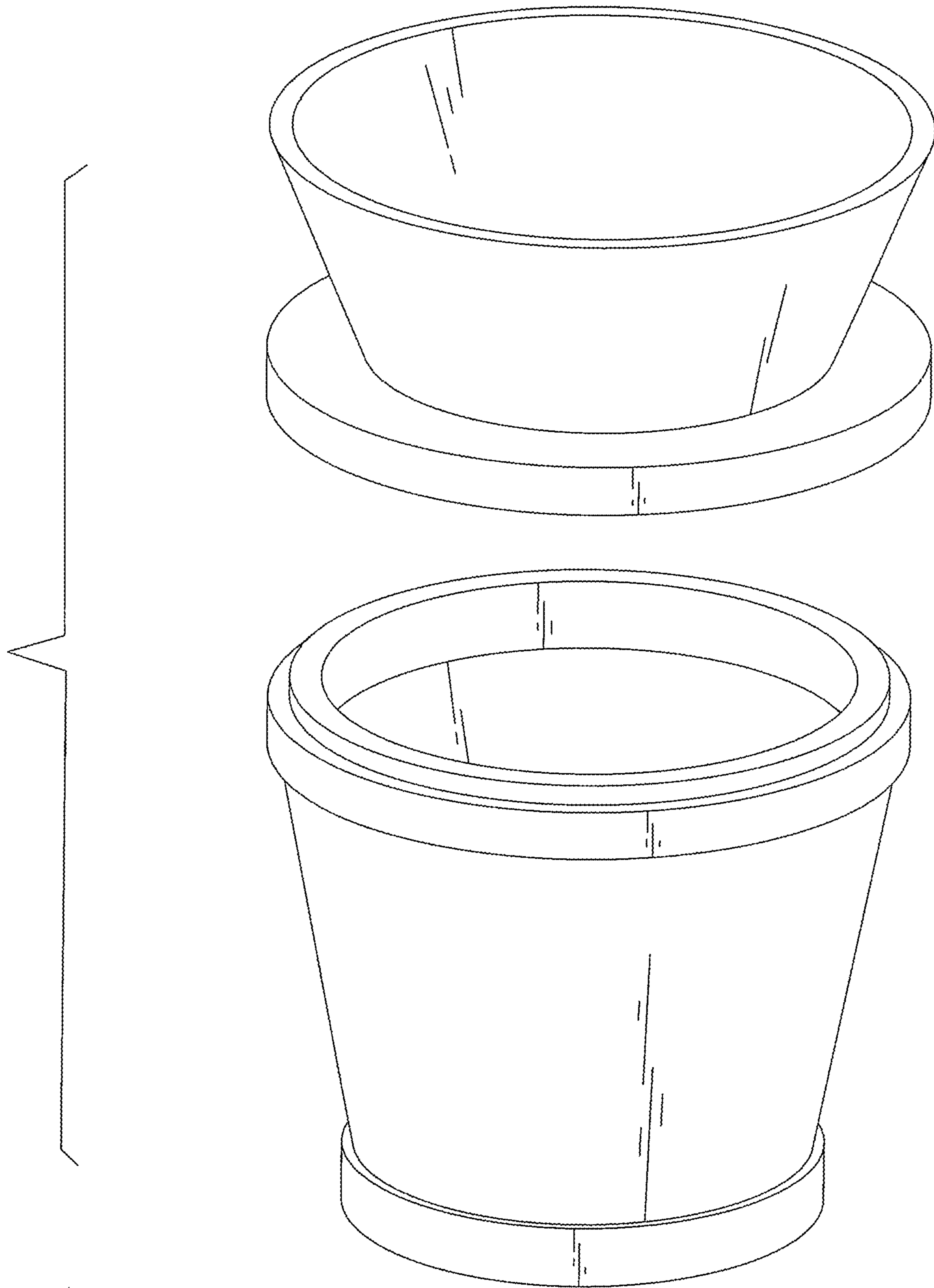


FIG.1

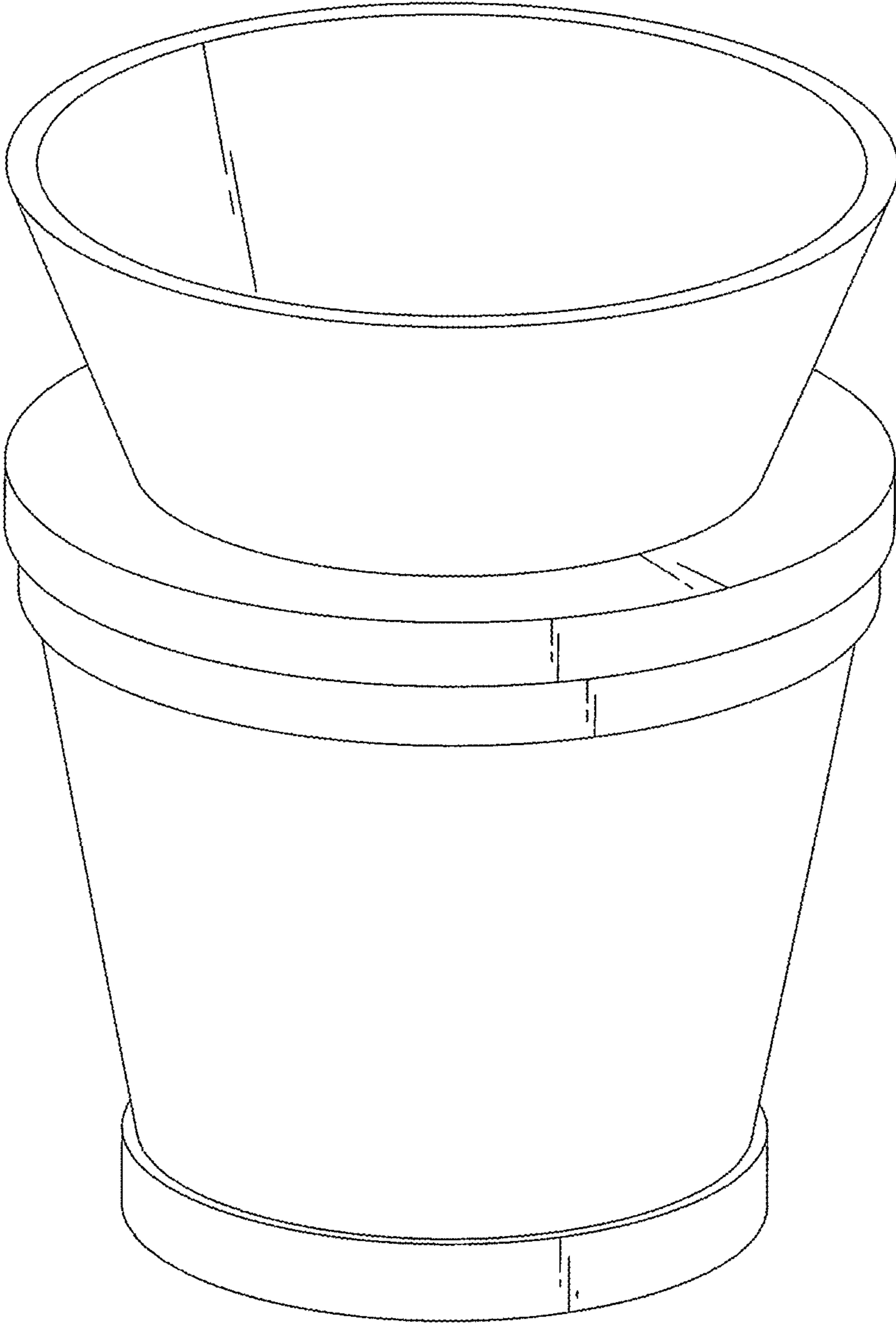


FIG.2

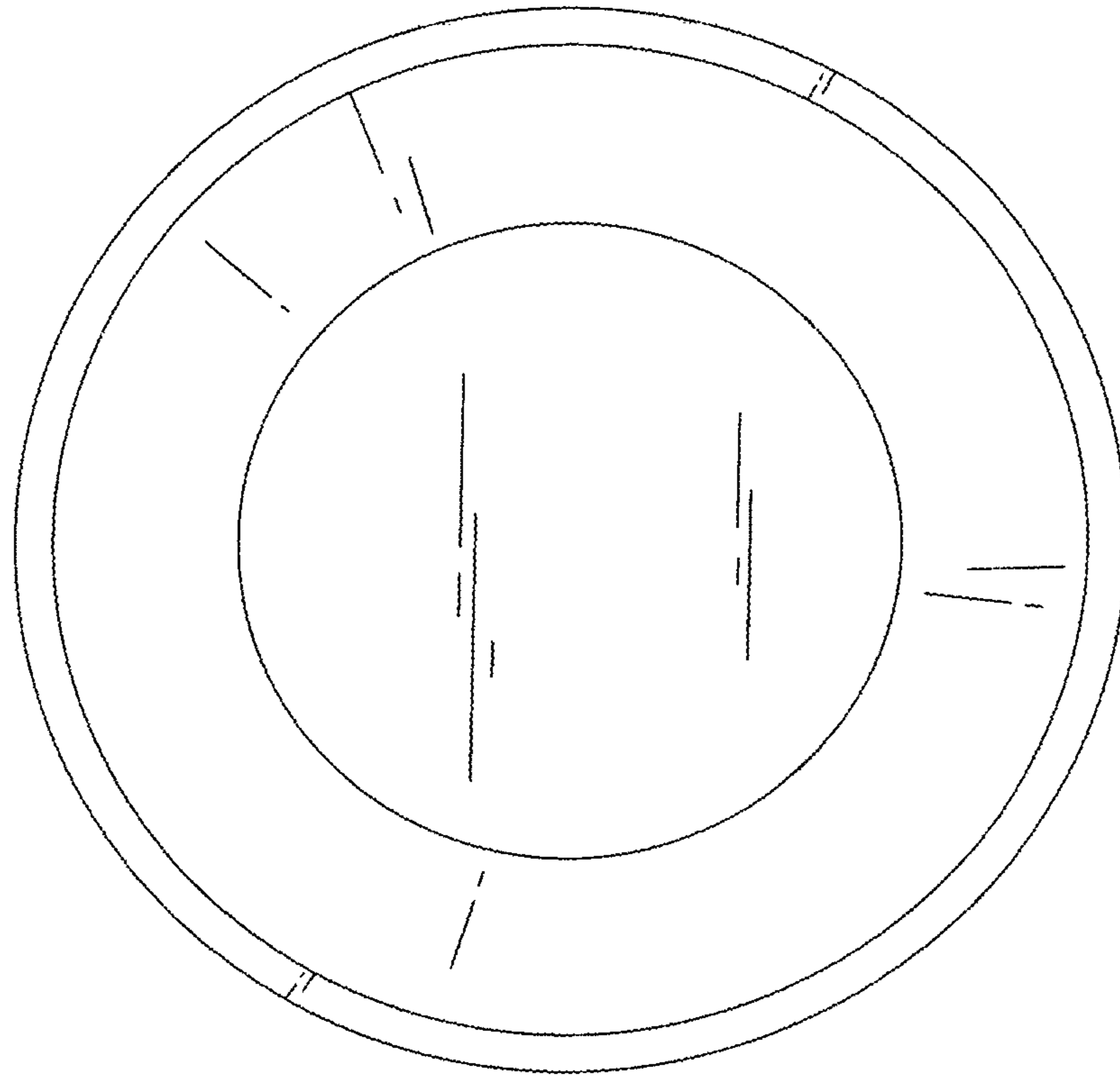


FIG.3

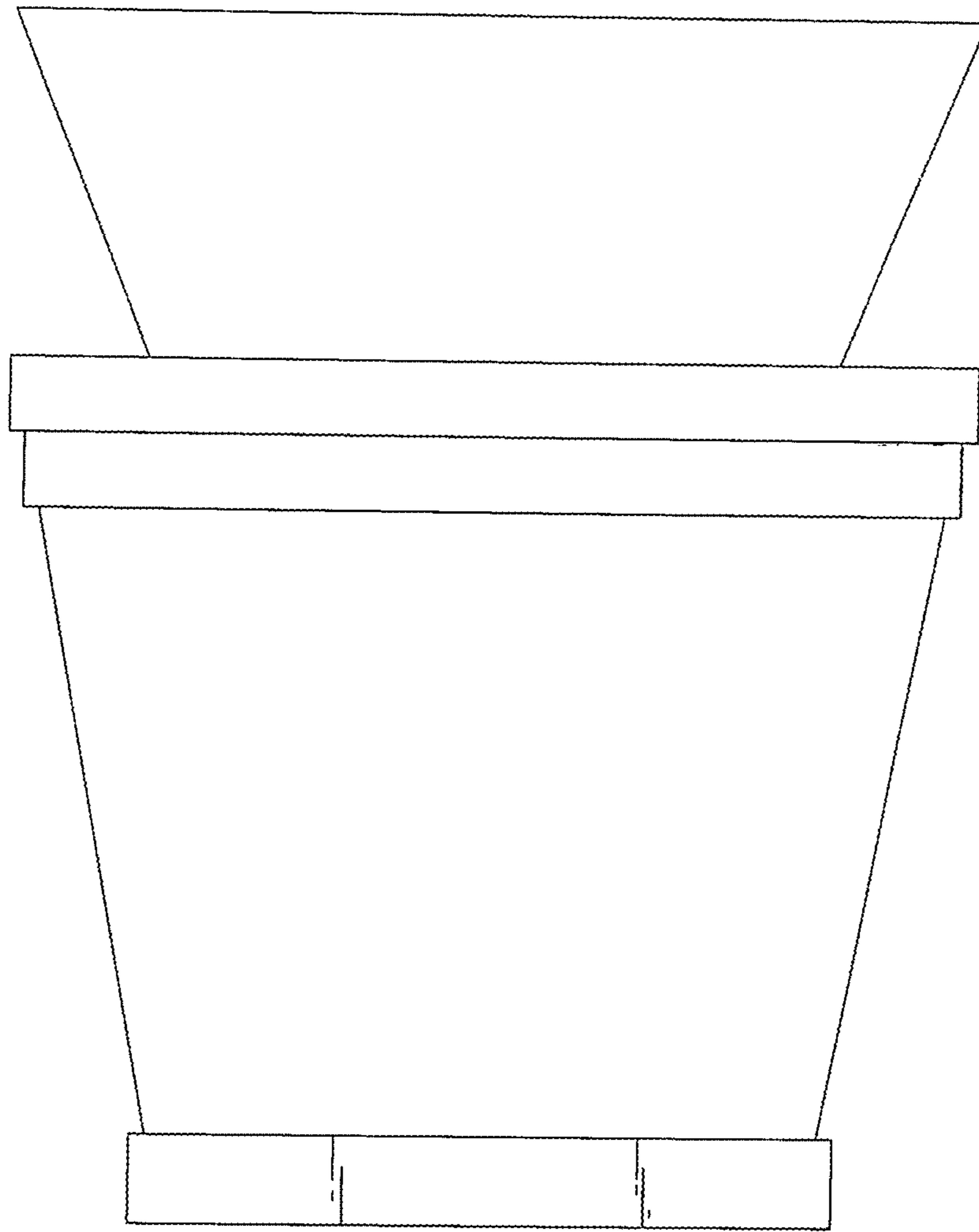


FIG.4

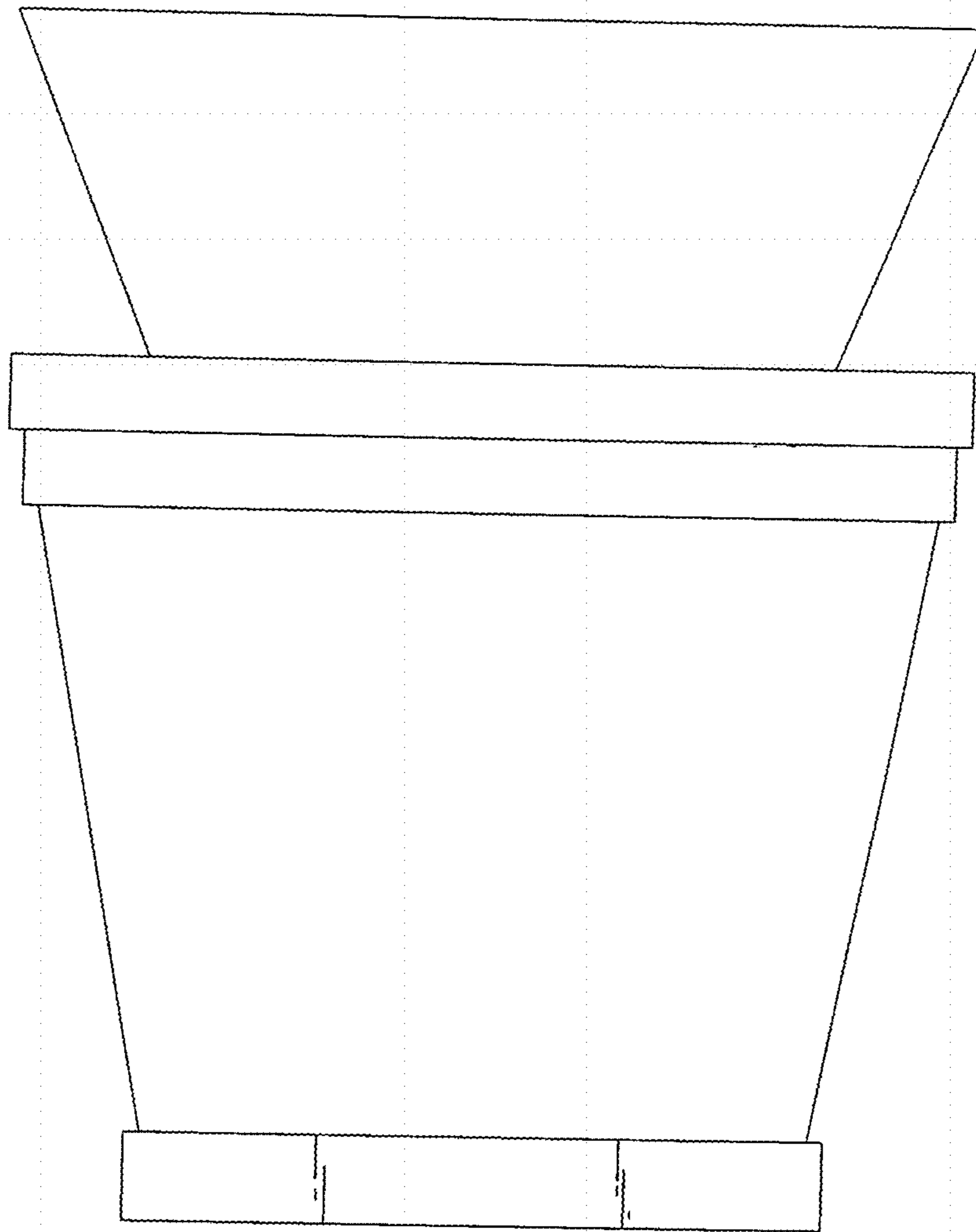


FIG.5

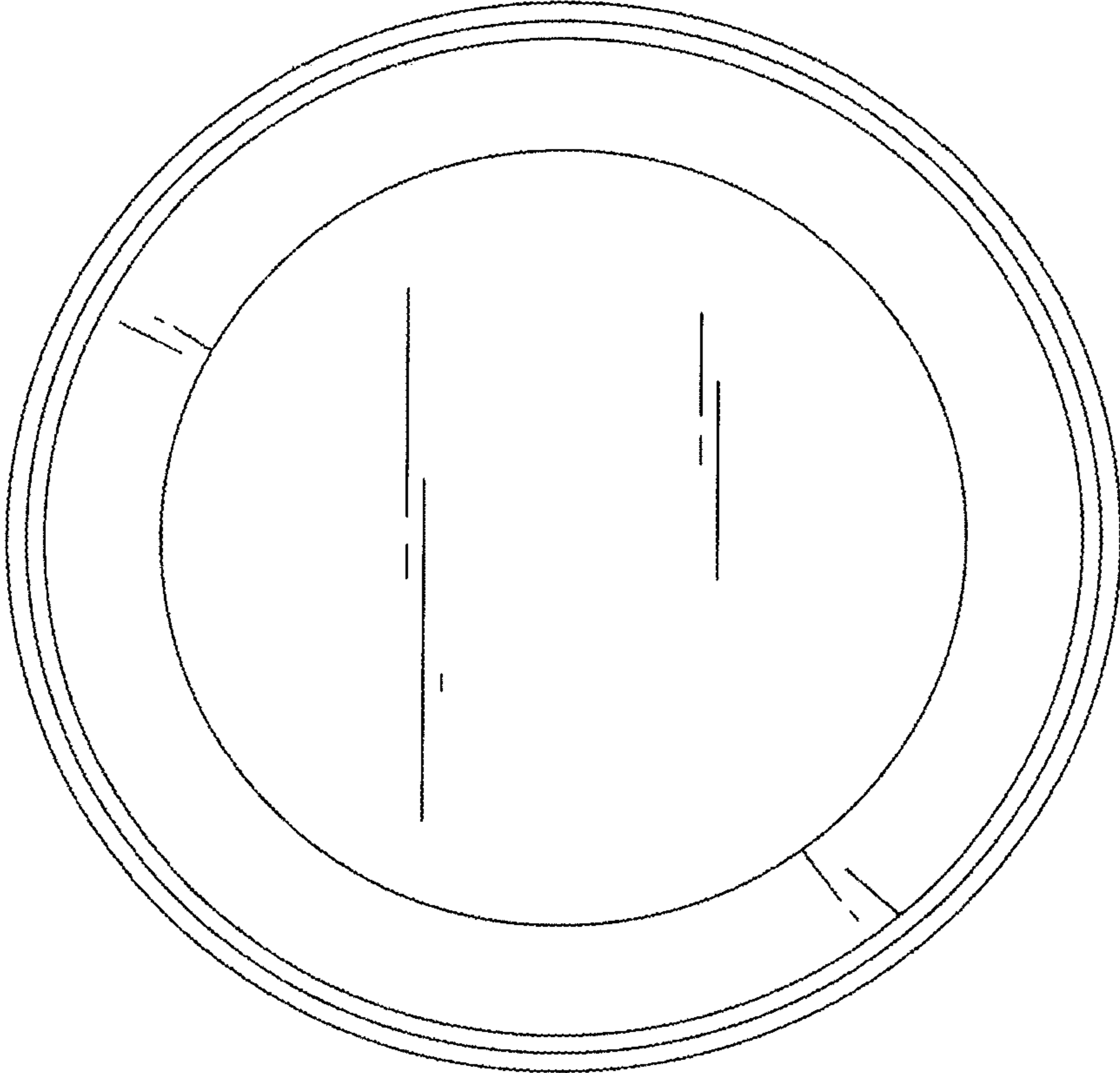


FIG.6

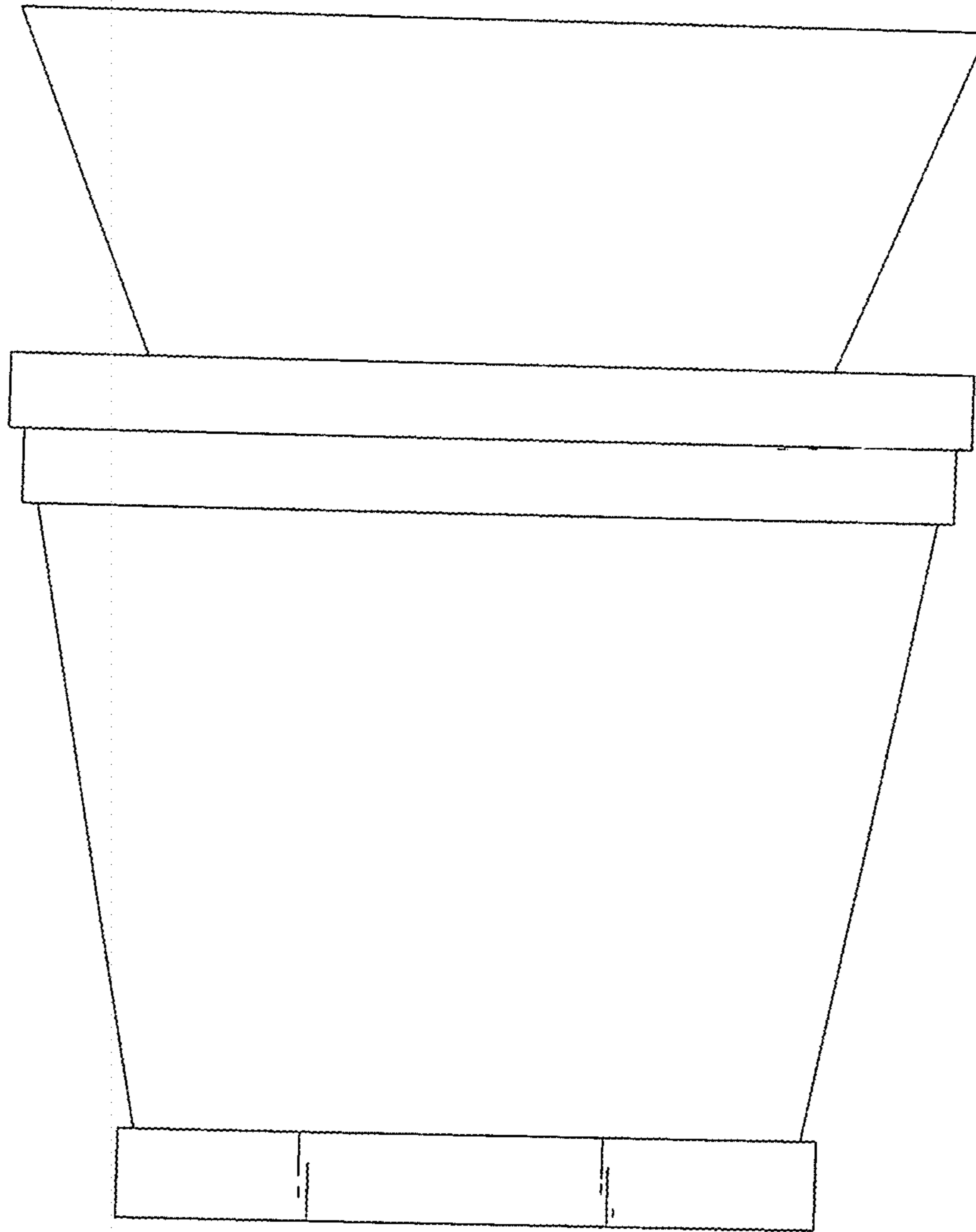


FIG.7

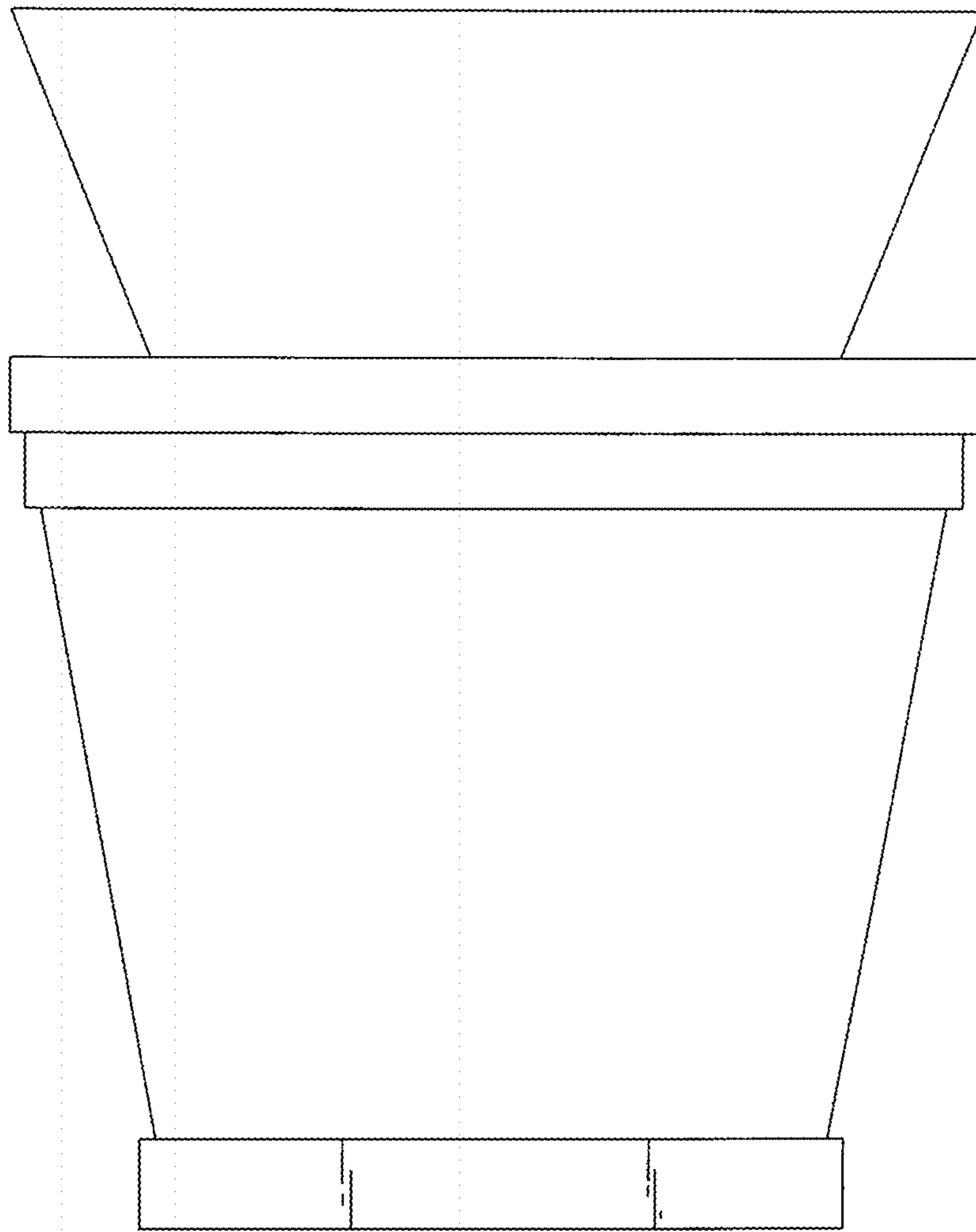


FIG.8