



US00D936415S

(12) **United States Design Patent** (10) **Patent No.:** **US D936,415 S**  
**Seum et al.** (45) **Date of Patent:** **\*\* Nov. 23, 2021**

(54) **DISPENSER**  
(71) Applicant: **PepsiCo, Inc.**, Purchase, NY (US)  
(72) Inventors: **Michael T. Seum**, Chicago, IL (US);  
**Pasquale Cirulli**, Zelo Surrigone (IT);  
**Mauro Scamporlino**, Syracuse (IT);  
**Martin Ivar Franzen**, Milan (IT);  
**Sofia Majan Capilla**, Burgos (ES)

D151,952 S \* 12/1948 Babcock ..... D20/1  
D173,909 S \* 1/1955 Muller-Munk ..... D7/309  
D202,688 S 11/1965 Cornelius et al.  
D229,221 S 11/1973 Adamson  
D235,816 S \* 7/1975 Hall ..... D7/308  
D256,124 S 7/1980 Adamson et al.  
D259,790 S 7/1981 Hentschel  
(Continued)

(73) Assignee: **PepsiCo, Inc.**, Purchase, NY (US)  
(\*\*) Term: **15 Years**

CN 303819361 \* 9/2015  
EM 001914862-0002 8/2013  
(Continued)

(21) Appl. No.: **29/685,121**  
(22) Filed: **Mar. 26, 2019**

FOREIGN PATENT DOCUMENTS

**Related U.S. Application Data**

(63) Continuation of application No. 29/603,054, filed on May 5, 2017, now Pat. No. Des. 844,378, which is a continuation of application No. 29/539,850, filed on Sep. 17, 2015, now Pat. No. Des. 787,874.

OTHER PUBLICATIONS

Zarick, Eddie, "Home Soda Fountain," Apr. 23, 2010, YouTube.com, www.youtube.com/watch?v=\_0Oke\_-ApRU (Year: 2010).\*

(51) **LOC (13) Cl.** ..... **31-00**  
(52) **U.S. Cl.**

*Primary Examiner* — Janice Patyk  
*Assistant Examiner* — Arva P Adams  
(74) *Attorney, Agent, or Firm* — Sterne, Kessler, Goldstein & Fox P.L.L.C.

USPC ..... **D7/397**; D7/311; D7/308; D7/307  
(58) **Field of Classification Search**  
USPC ..... D21/370, 371; D7/300, 305-311, 313, D7/355, 362, 365, 367, 397; D14/307; D20/1, 4; D15/82  
CPC .. G07G 13/065; B67D 1/0085; B67D 1/0864; B67D 1/36; B65D 2001/0089; A47J 27/04; A47J 31/00; A47J 31/0573; A47J 31/18; A47J 31/407; A47J 31/44; A47J 31/4403; A47J 31/46; A47J 31/50; A47J 31/52; A23C 9/122

(57) **CLAIM**

The ornamental design for a dispenser, as shown and described.

See application file for complete search history.

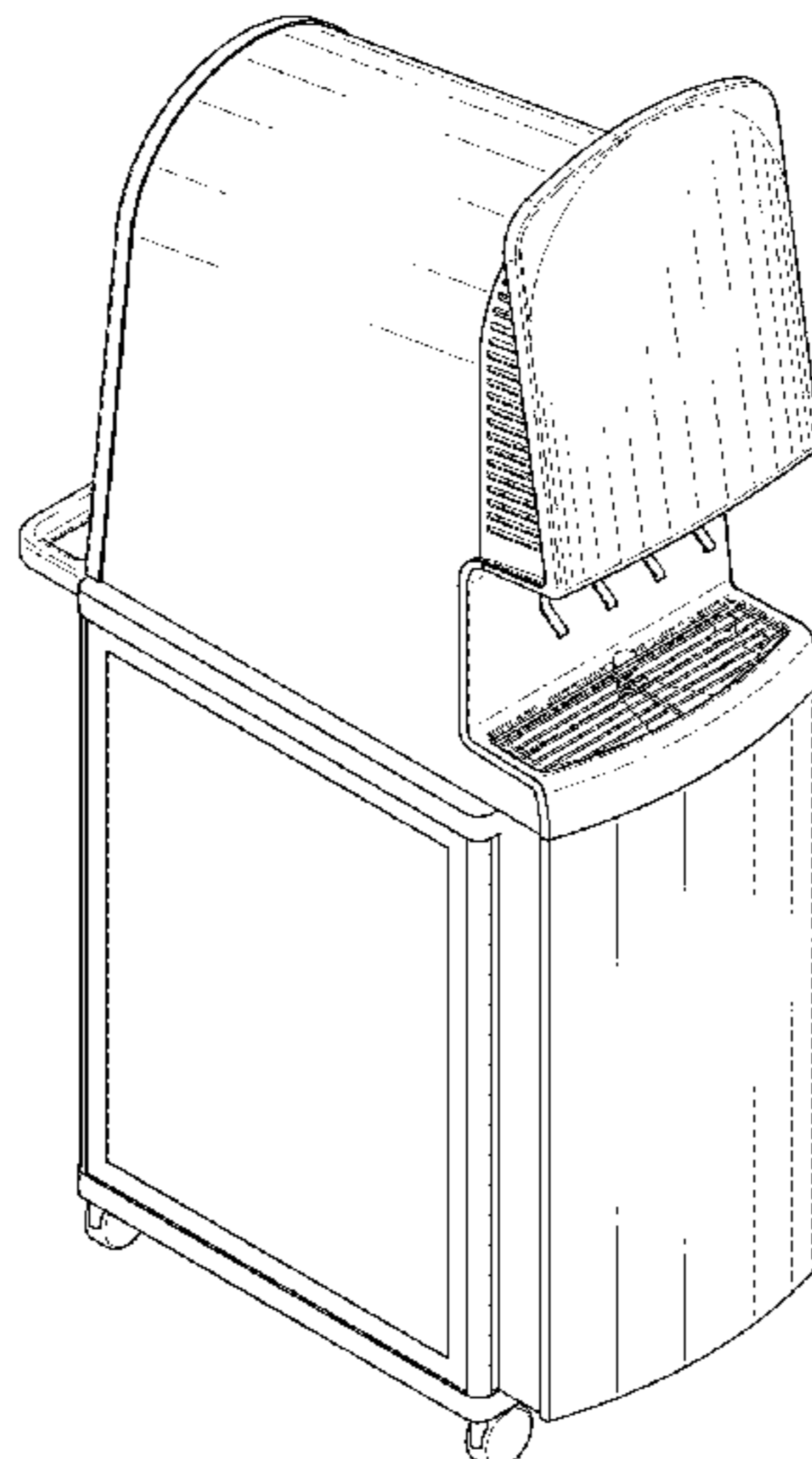
**DESCRIPTION**

FIG. 1 is a top front perspective view of a dispenser showing the claimed design;  
FIG. 2 is a front view thereof;  
FIG. 3 is a rear view thereof;  
FIG. 4 is a right side view thereof;  
FIG. 5 is a left side view thereof;  
FIG. 6 is a top view thereof; and,  
FIG. 7 is a bottom view thereof.  
The broken lines in the figures show portions of the dispenser that form no part of the claimed design.

(56) **References Cited**  
U.S. PATENT DOCUMENTS

D121,005 S 6/1940 Wright  
D151,386 S 10/1948 Nissen

**1 Claim, 6 Drawing Sheets**



(56)

References Cited

U.S. PATENT DOCUMENTS

D310,612 S \* 9/1990 Desrosiers ..... D7/307  
 D323,875 S 2/1992 Kang et al.  
 D330,983 S 11/1992 De Moss  
 D356,342 S 3/1995 Reese et al.  
 D359,649 S 6/1995 Salkeld et al.  
 D359,874 S \* 7/1995 Smith ..... D7/308  
 D360,801 S 8/1995 Shub  
 D367,797 S 3/1996 Hauser, II et al.  
 D385,457 S 10/1997 Sellers  
 D387,809 S 12/1997 Reese et al.  
 D398,183 S 9/1998 De Felip  
 5,823,392 A 10/1998 Madico  
 D404,242 S 1/1999 Schroeder  
 D408,207 S 4/1999 Bourke  
 D418,001 S 12/1999 van der Veen  
 D421,629 S 3/2000 Sakata  
 D424,361 S 5/2000 Kuboyama  
 D431,145 S 9/2000 Woebcke et al.  
 D440,255 S 4/2001 Dickson  
 D444,986 S 7/2001 Smith et al.  
 D456,663 S 5/2002 Chew  
 6,439,428 B1 8/2002 Schroeder et al.  
 D473,745 S 4/2003 Mulle et al.  
 D474,366 S 5/2003 Hodges et al.  
 D477,175 S 7/2003 Smith  
 D482,227 S 11/2003 Walton  
 D486,346 S 2/2004 Jonsson  
 D498,637 S 11/2004 Heilstedt et al.  
 D499,145 S 11/2004 Yao  
 D500,625 S 1/2005 Hellenberg et al.  
 D505,822 S 6/2005 De Gooijer  
 D514,864 S 2/2006 Birdsell et al.  
 D514,867 S 2/2006 Steiner  
 D526,523 S 8/2006 Steiner et al.  
 D527,567 S 9/2006 Nakato et al.  
 D531,855 S 11/2006 Steiner et al.  
 D533,007 S 12/2006 Felty  
 D544,919 S 6/2007 Roekens et al.  
 D544,920 S 6/2007 Roekens et al.  
 D554,930 S 11/2007 Lavy  
 D555,414 S 11/2007 Lin  
 D557,058 S 12/2007 Lebot et al.  
 D557,547 S 12/2007 Knoell et al.  
 D564,279 S 3/2008 Hodges  
 D570,149 S 6/2008 Truong  
 D570,636 S 6/2008 Kulujian et al.  
 D572,965 S 7/2008 Steiner  
 D582,194 S 12/2008 Wang  
 D583,608 S 12/2008 Kato  
 D597,605 S 8/2009 Davis  
 D600,060 S 9/2009 Fletcher et al.  
 D600,490 S 9/2009 Pino et al.

D600,491 S 9/2009 Hamnad et al.  
 D601,380 S 10/2009 Jones et al.  
 D608,129 S 1/2010 Spear et al.  
 D608,130 S 1/2010 Moon et al.  
 D617,132 S 6/2010 Wang  
 D618,031 S 6/2010 Mansour  
 D623,885 S 9/2010 Wang  
 D624,778 S 10/2010 Meldrum et al.  
 D627,187 S 11/2010 Voron et al.  
 D630,471 S 1/2011 Wang  
 D635,812 S 4/2011 Wang  
 D638,476 S 5/2011 Hoffman et al.  
 D638,513 S 5/2011 Choi  
 D640,891 S 7/2011 Smith  
 D644,712 S \* 9/2011 Seo ..... D23/207  
 D646,105 S 10/2011 Deo et al.  
 D646,269 S 10/2011 Crick, Jr. et al.  
 D691,205 S \* 10/2013 d'Amore ..... D20/1  
 D693,404 S 11/2013 d'Amore et al.  
 D693,407 S 11/2013 d'Amore et al.  
 D696,349 S \* 12/2013 d'Amore ..... D20/1  
 D698,391 S \* 1/2014 d'Amore ..... D20/1  
 D701,412 S 3/2014 Broen et al.  
 D704,492 S \* 5/2014 Broen ..... D7/306  
 8,881,948 B1 11/2014 Lassota  
 D731,840 S \* 6/2015 Cha ..... D7/306  
 D732,331 S 6/2015 Tomasson et al.  
 D734,635 S \* 7/2015 Behar ..... D7/306  
 D770,214 S \* 11/2016 Kadyk ..... D7/307  
 D776,970 S 1/2017 Broen et al.  
 D787,874 S \* 5/2017 Seum ..... D7/307  
 D789,142 S 6/2017 Broen et al.  
 D799,879 S 10/2017 Shmueli et al.  
 D799,880 S \* 10/2017 Broen ..... D7/307  
 D813,346 S \* 3/2018 Lee ..... D23/207  
 D822,154 S \* 7/2018 Lee ..... D23/207  
 D825,243 S \* 8/2018 Yoon ..... D7/308  
 D832,021 S \* 10/2018 Yoon ..... D7/313  
 D844,378 S \* 4/2019 Seum ..... G07F 13/065  
 D7/397  
 D858,168 S \* 9/2019 Broen ..... D7/307  
 D871,818 S \* 1/2020 Squires ..... D7/307  
 D873,071 S \* 1/2020 Broen ..... D7/397  
 D884,407 S \* 5/2020 Tan ..... D7/313  
 D893,235 S \* 8/2020 Broen ..... D7/307  
 2018/0290874 A1 \* 10/2018 Roberts ..... G07F 13/065

FOREIGN PATENT DOCUMENTS

JP 1197475 12/2003  
 JP D1562364 \* 9/2015  
 KR 30-0722649 12/2013  
 NO 083336 1/2012

\* cited by examiner

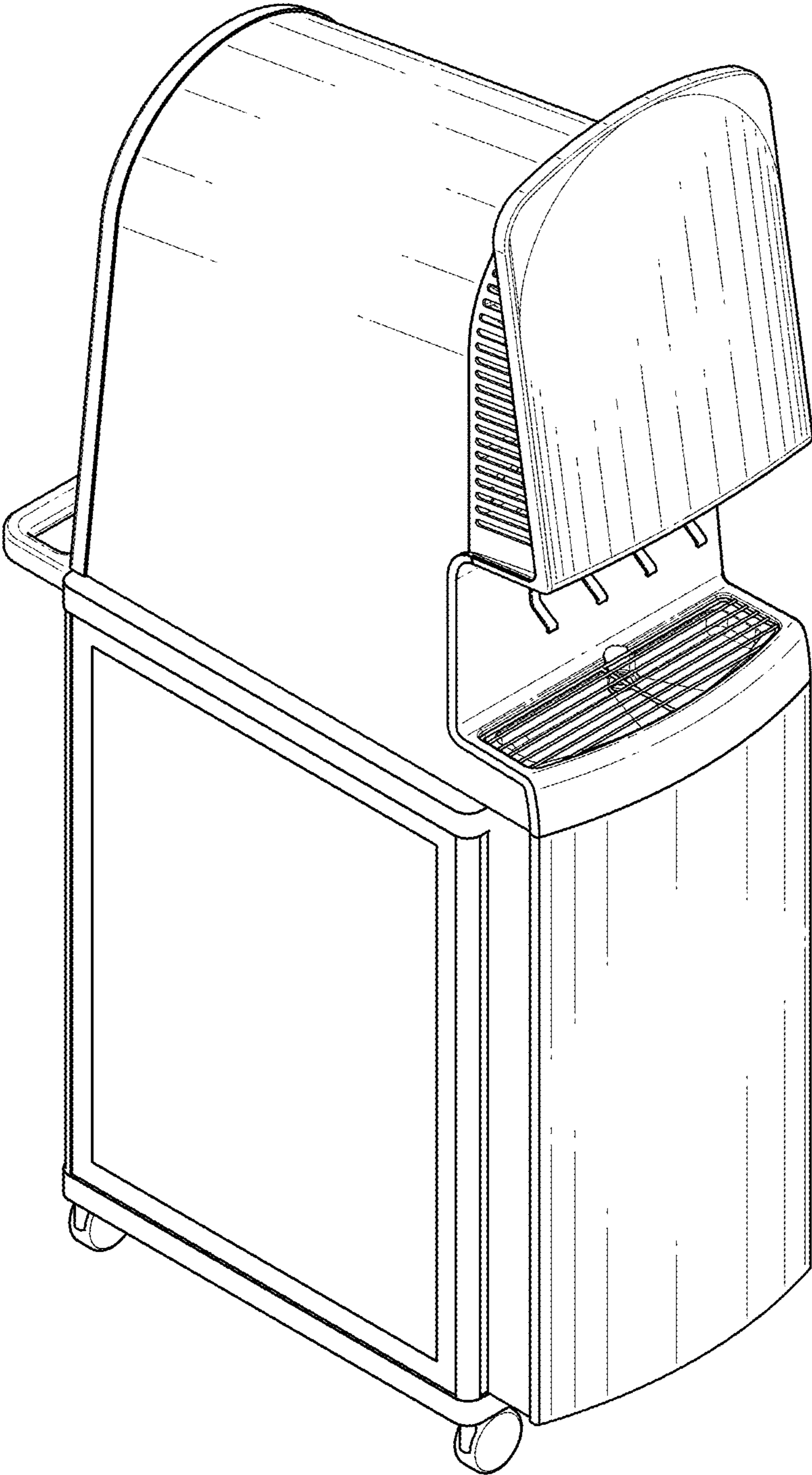


FIG. 1

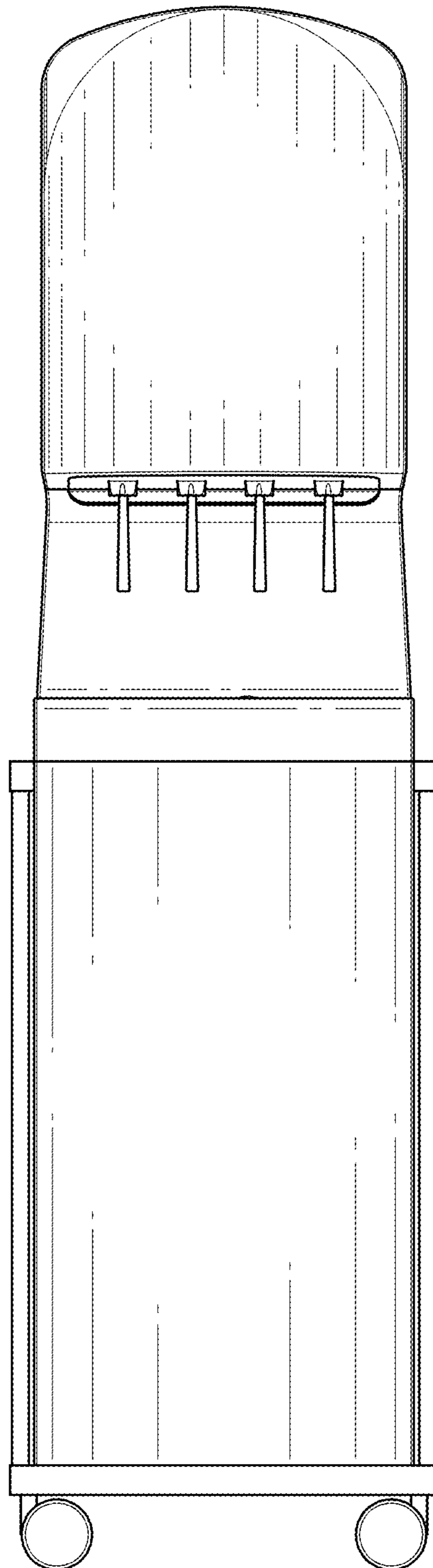


FIG. 2

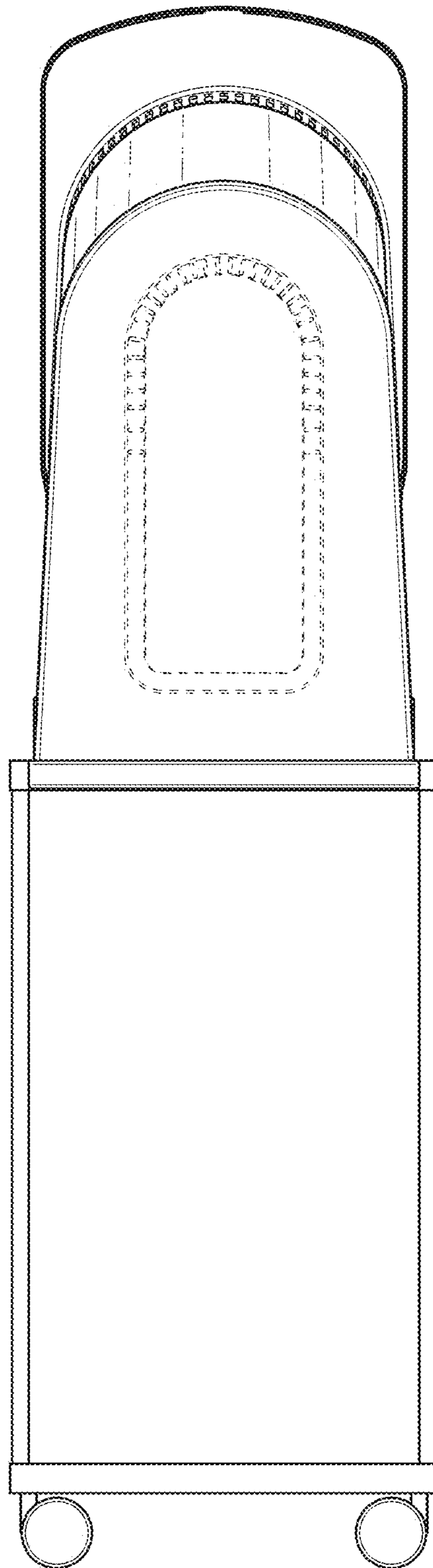


FIG. 3

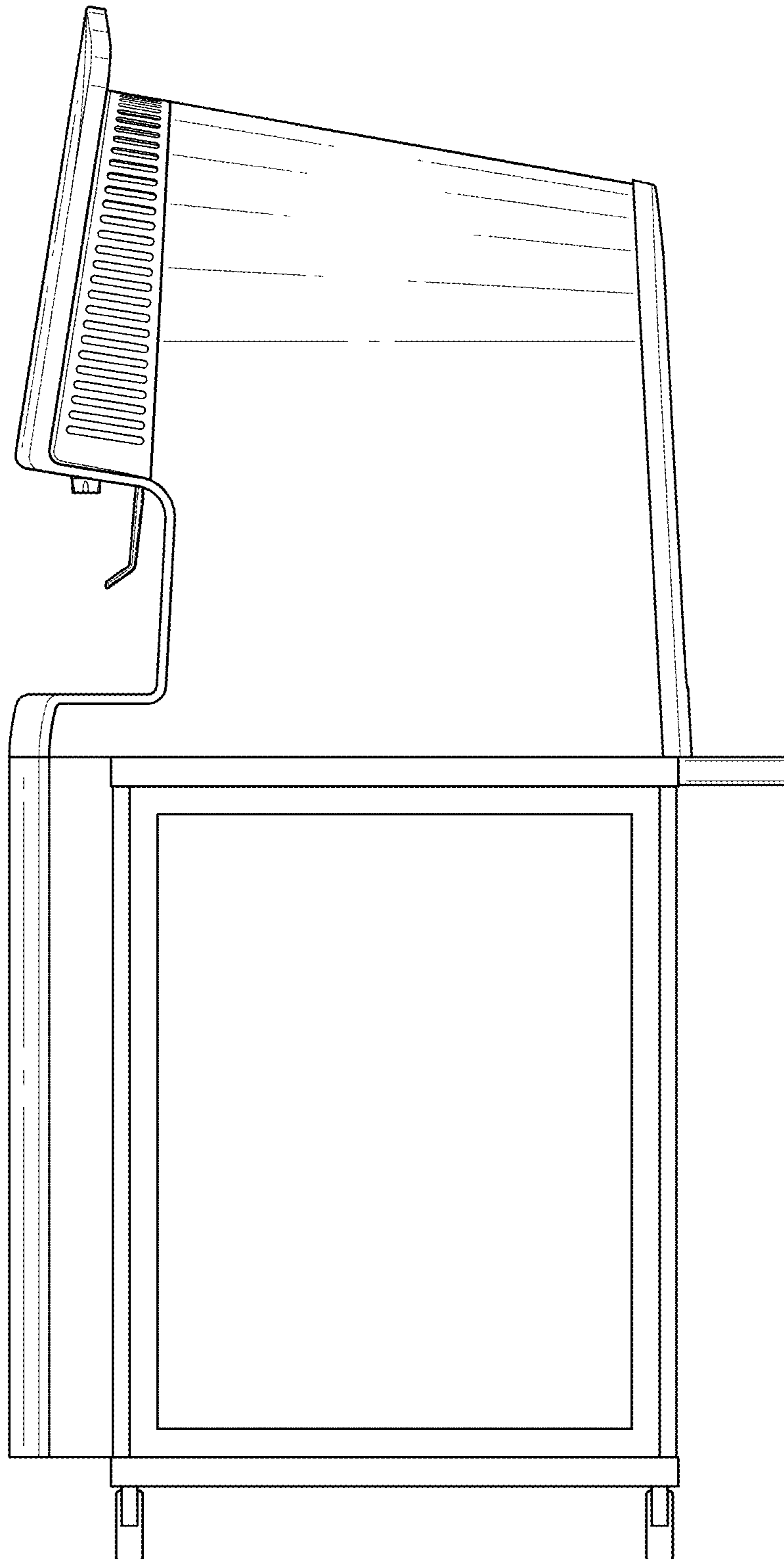


FIG. 4

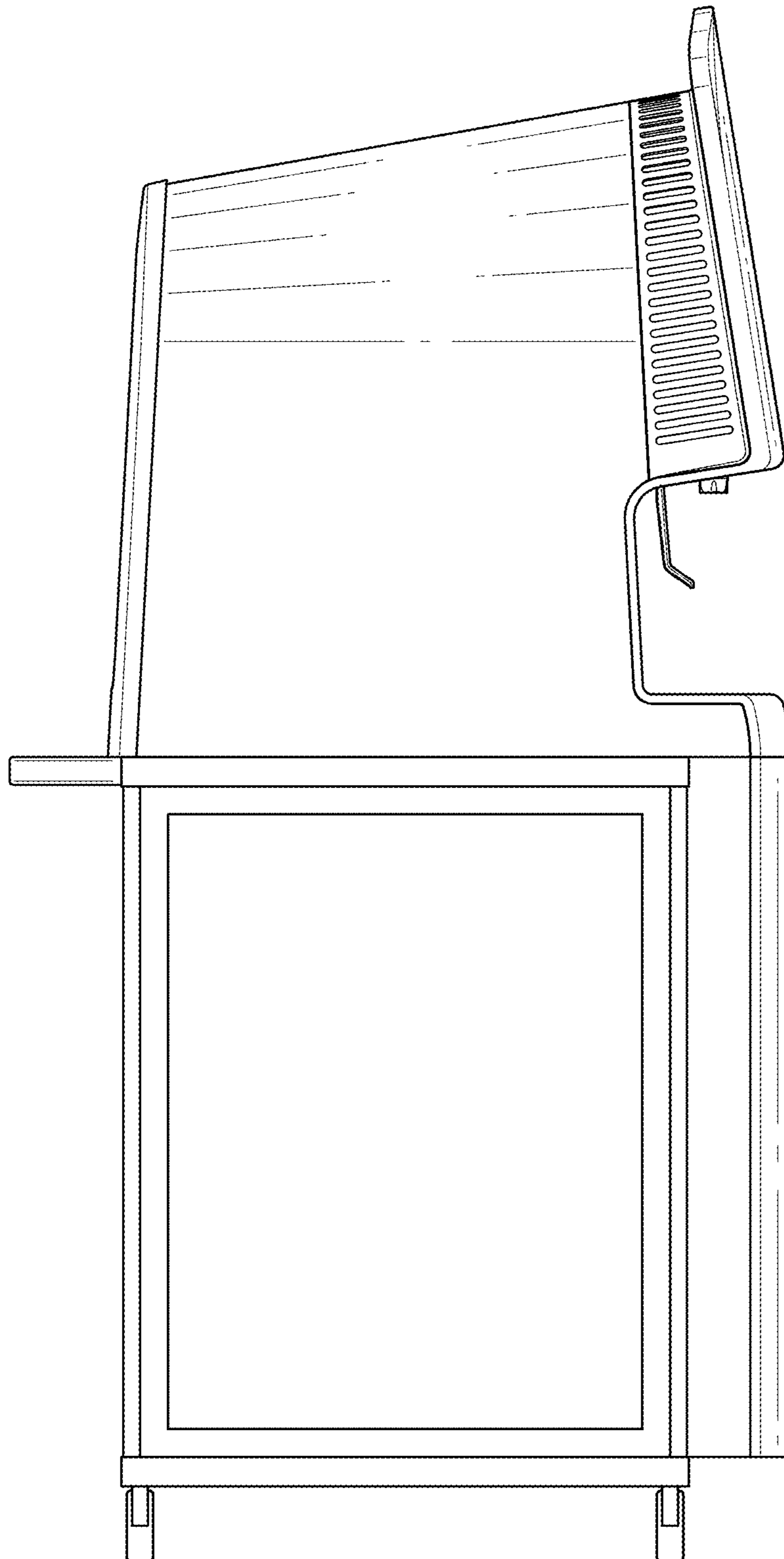


FIG. 5

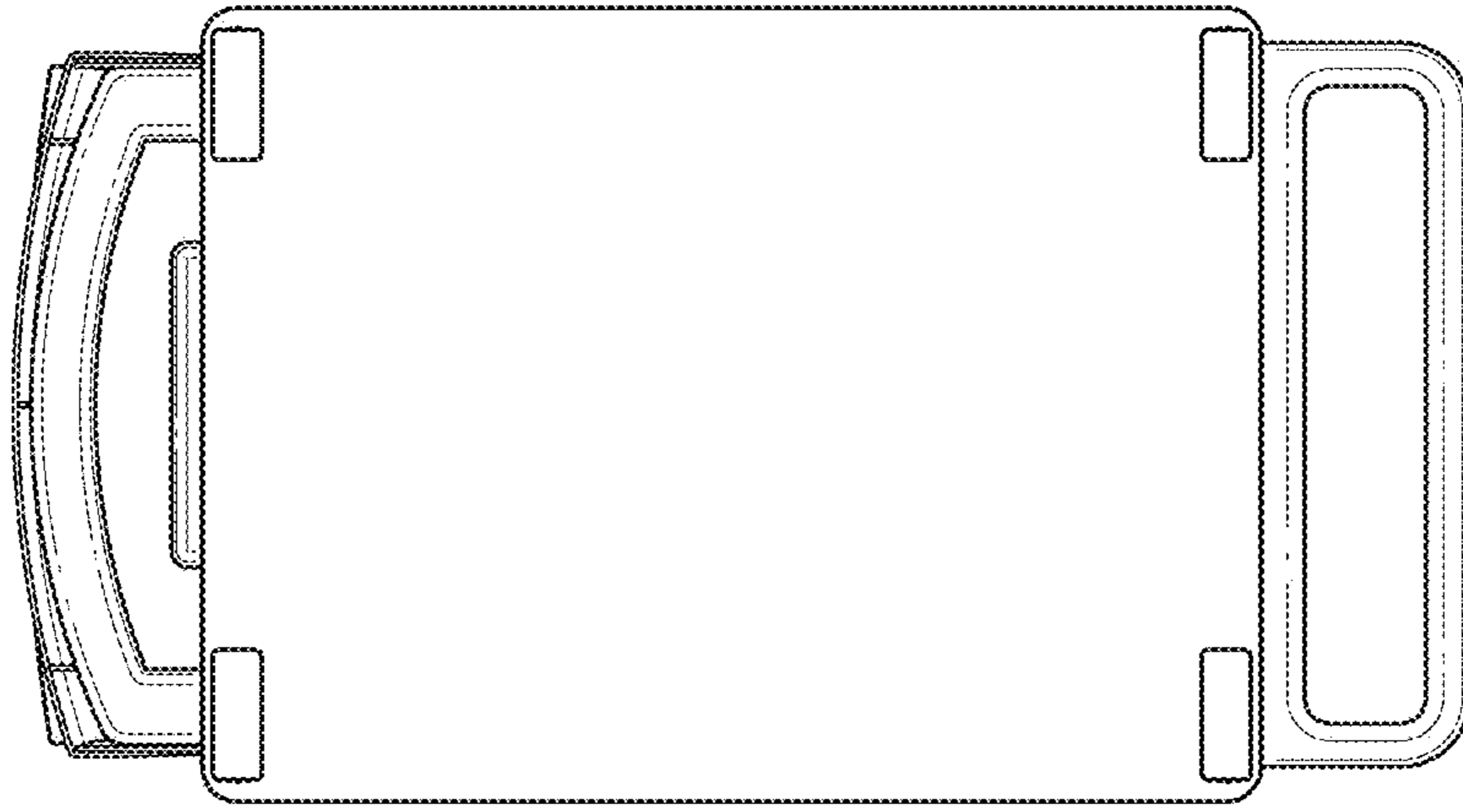


FIG. 7

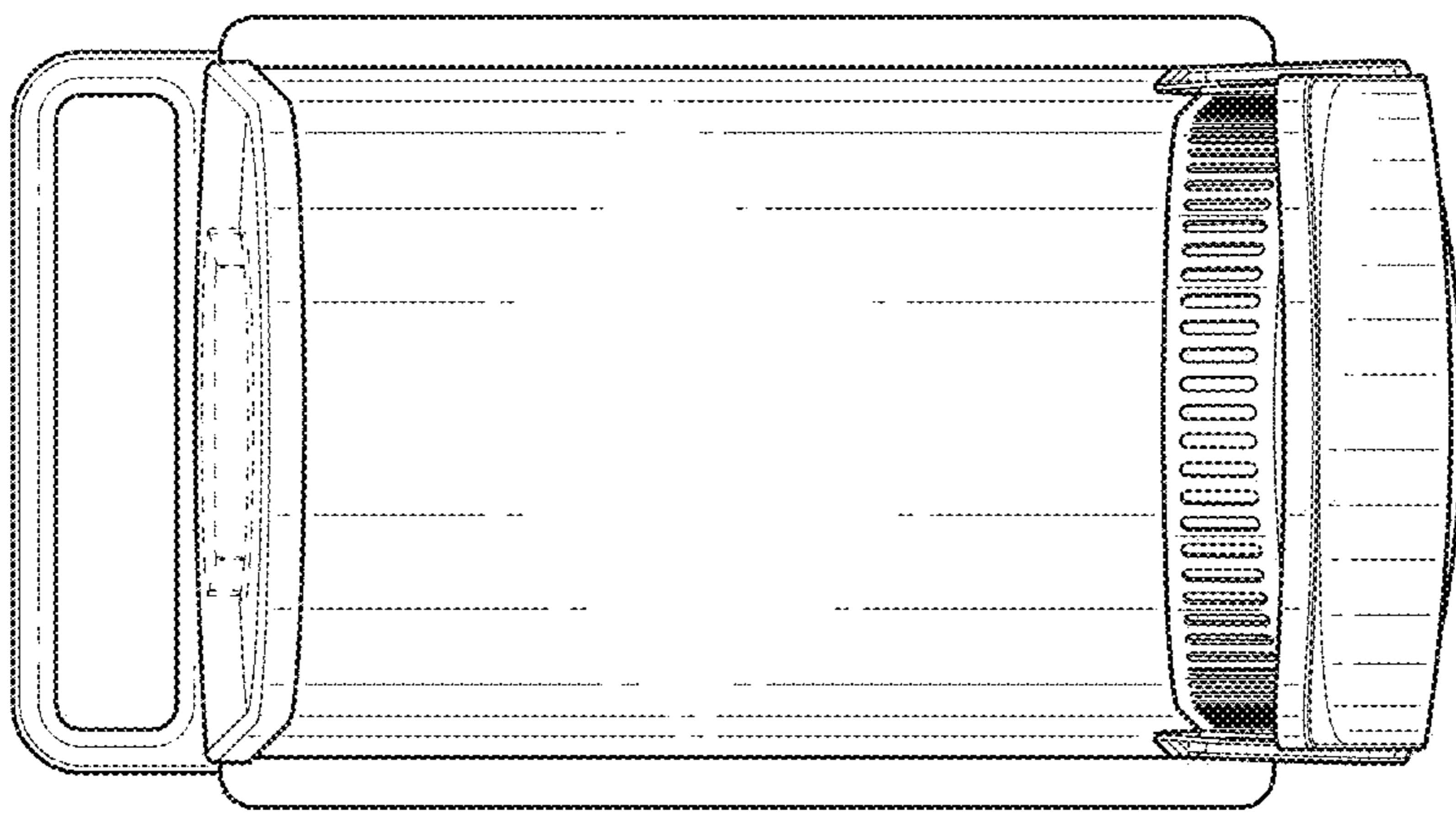


FIG. 6