



US00D936414S

(12) **United States Design Patent**  
**Heiman et al.**

(10) **Patent No.:** **US D936,414 S**

(45) **Date of Patent:** **\*\* Nov. 23, 2021**

(54) **CUP LID**

(71) Applicants: **Ron Heiman**, Sioux Falls, SD (US);  
**Kris Breien**, Sioux Falls, SD (US)

(72) Inventors: **Ron Heiman**, Sioux Falls, SD (US);  
**Kris Breien**, Sioux Falls, SD (US)

(\*\*) Term: **15 Years**

(21) Appl. No.: **29/733,296**

(22) Filed: **Apr. 30, 2020**

(51) **LOC (13) Cl.** ..... **07-01**

(52) **U.S. Cl.**  
USPC ..... **D7/392.1**; D7/396.2

(58) **Field of Classification Search**  
USPC ..... D7/387, 392.1, 396.2, 393, 394, 397,  
D7/398, 510, 511, 213, 533, 536, 300.1;  
D9/435, 436, 439, 440, 449  
CPC ..... A47G 19/22; A47G 19/2211;  
A47G 19/2222; A45F 3/16; B65D 41/04  
See application file for complete search history.

(56) **References Cited**

U.S. PATENT DOCUMENTS

D248,453 S *	7/1978	Summers	.....	D9/439
5,660,302 A *	8/1997	Trout	.....	B65D 39/04 220/790
7,021,486 B1 *	4/2006	Hurlbut	.....	A45F 3/18 215/230
7,607,551 B2 *	10/2009	Coughlin	.....	B65D 17/506 220/254.7
7,614,513 B2	11/2009	Anderson		
D605,894 S *	12/2009	Drennow	.....	D7/387
D629,865 S *	12/2010	Riedel	.....	D23/209
8,967,412 B2	3/2015	Loging		
9,102,444 B2	8/2015	Milan		

9,371,161 B2 *	6/2016	Rudy	.....	B65D 41/16
D818,310 S *	5/2018	Cheng	.....	D7/392.1
10,000,319 B2 *	6/2018	Pisarevsky	.....	A47G 19/2266
D822,428 S *	7/2018	Thuma	.....	D7/392.1
D863,874 S *	10/2019	Melanson	.....	D7/392
D867,058 S *	11/2019	Spivey	.....	D7/392.1
D884,472 S *	5/2020	Matauch	.....	D9/447
D887,774 S *	6/2020	Matauch	.....	D7/392.1
D899,847 S *	10/2020	Murphy	.....	D7/392.1
D901,237 S *	11/2020	Matauch	.....	D7/392.1
D912,461 S *	3/2021	Mendez	.....	D7/392.1
D923,400 S *	6/2021	Wang	.....	D7/396.2
2003/0160019 A1	8/2003	Blanding		
2006/0102581 A1	5/2006	Yates, III		
2006/0163251 A1	7/2006	Kelstrom		
2007/0075081 A1	4/2007	Stokes		
2008/0272084 A1 *	11/2008	Lohrman	.....	B65D 47/103 215/255
2009/0283535 A1	11/2009	Mesalic		
2013/0233898 A1	9/2013	Resnikoff		

\* cited by examiner

Primary Examiner — Jae Liang

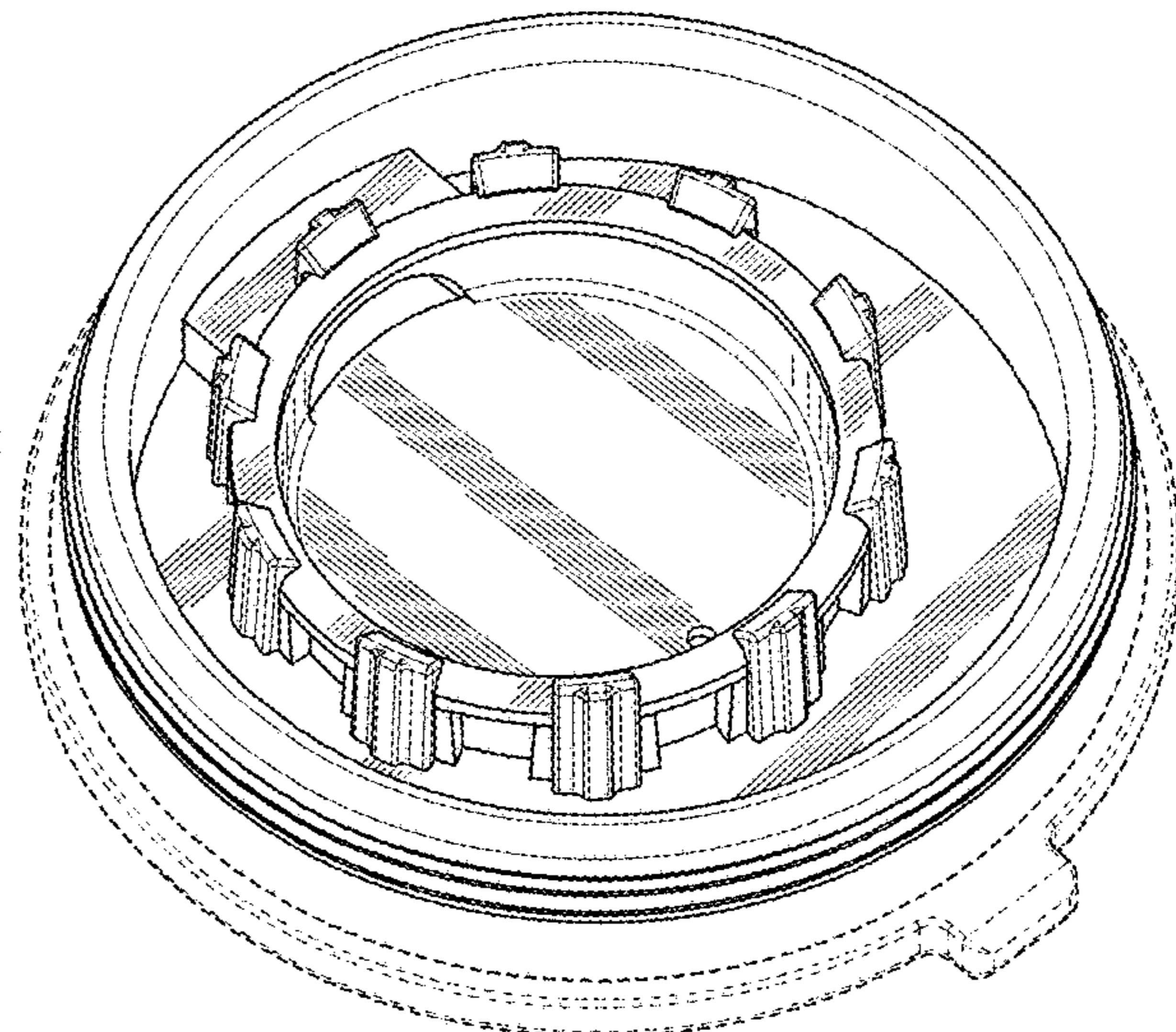
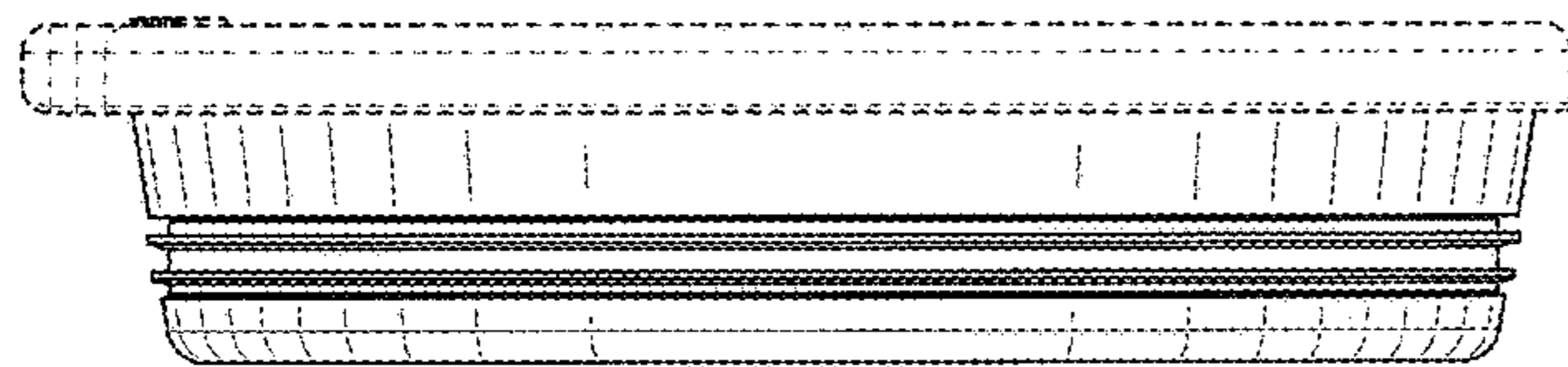
(57) **CLAIM**

The ornamental design for a cup lid, as shown and described.

**DESCRIPTION**

FIG. 1 is a front view of a cup lid showing my new design; FIG. 2 is a rear view of the cup lid; FIG. 3 is a right side view of the cup lid; FIG. 4 is a left side view of the cup lid; FIG. 5 is a bottom view of the cup lid; FIG. 6 is a top front side perspective view of the cup lid; and, FIG. 7 is a bottom rear side perspective view of the cup lid. The broken lines throughout the drawing figures are illustrative of portions of the cup lid forming no part of the claimed design.

**1 Claim, 5 Drawing Sheets**



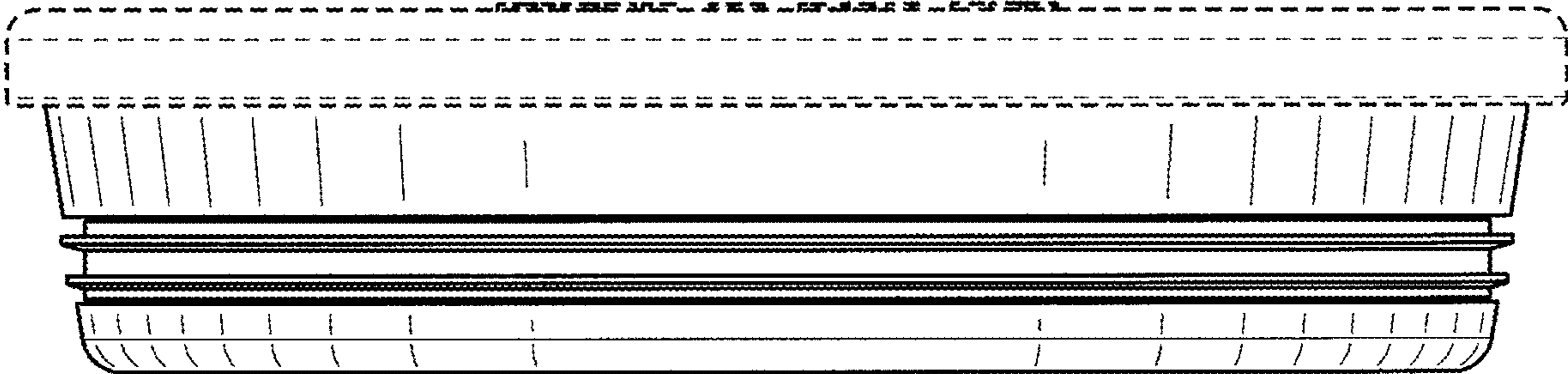


FIG. 1

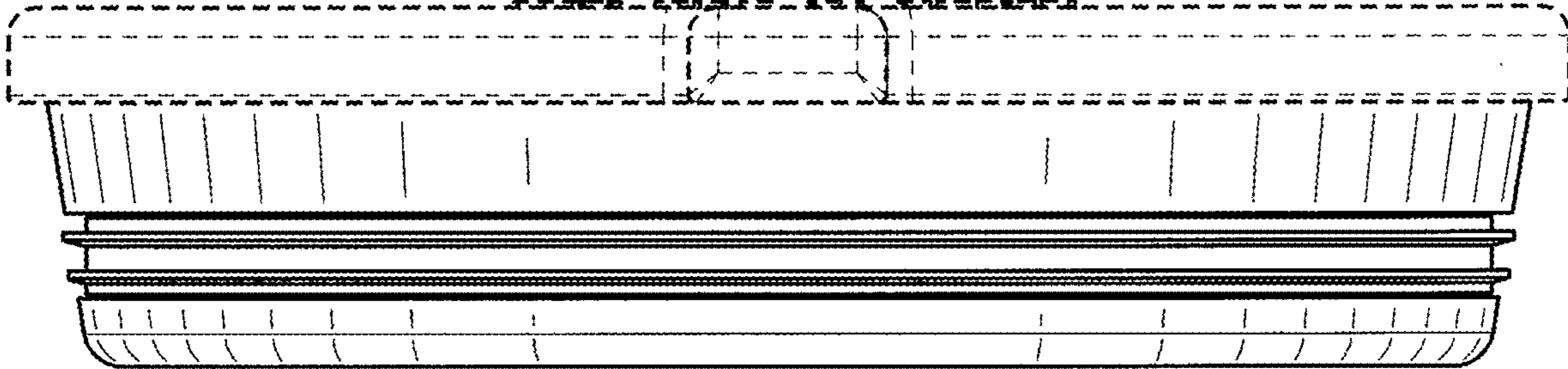


FIG. 2

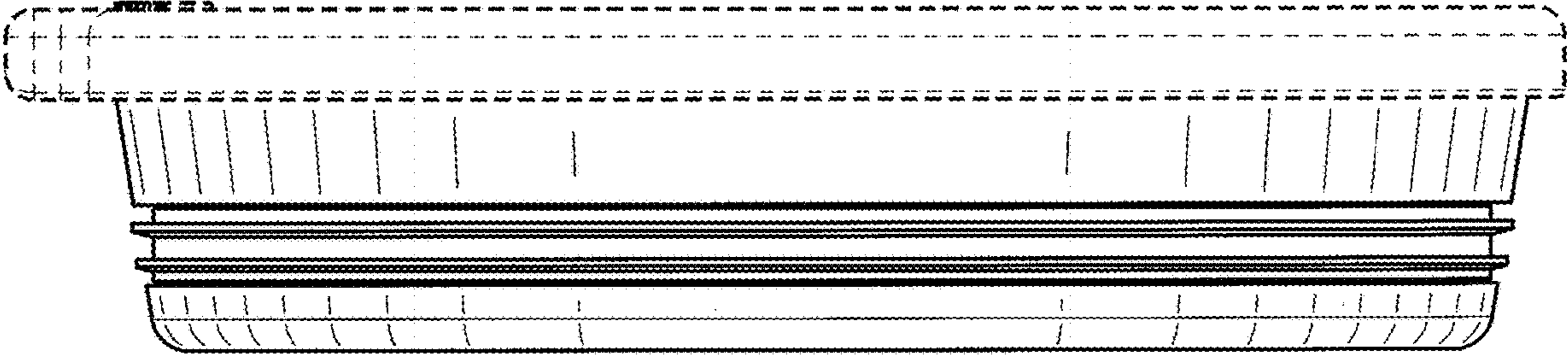


FIG. 3

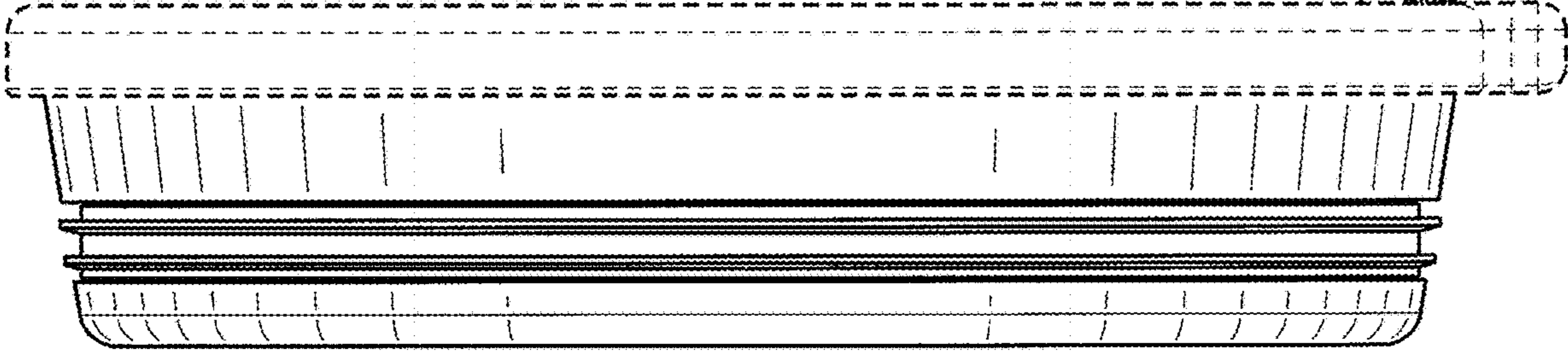


FIG. 4

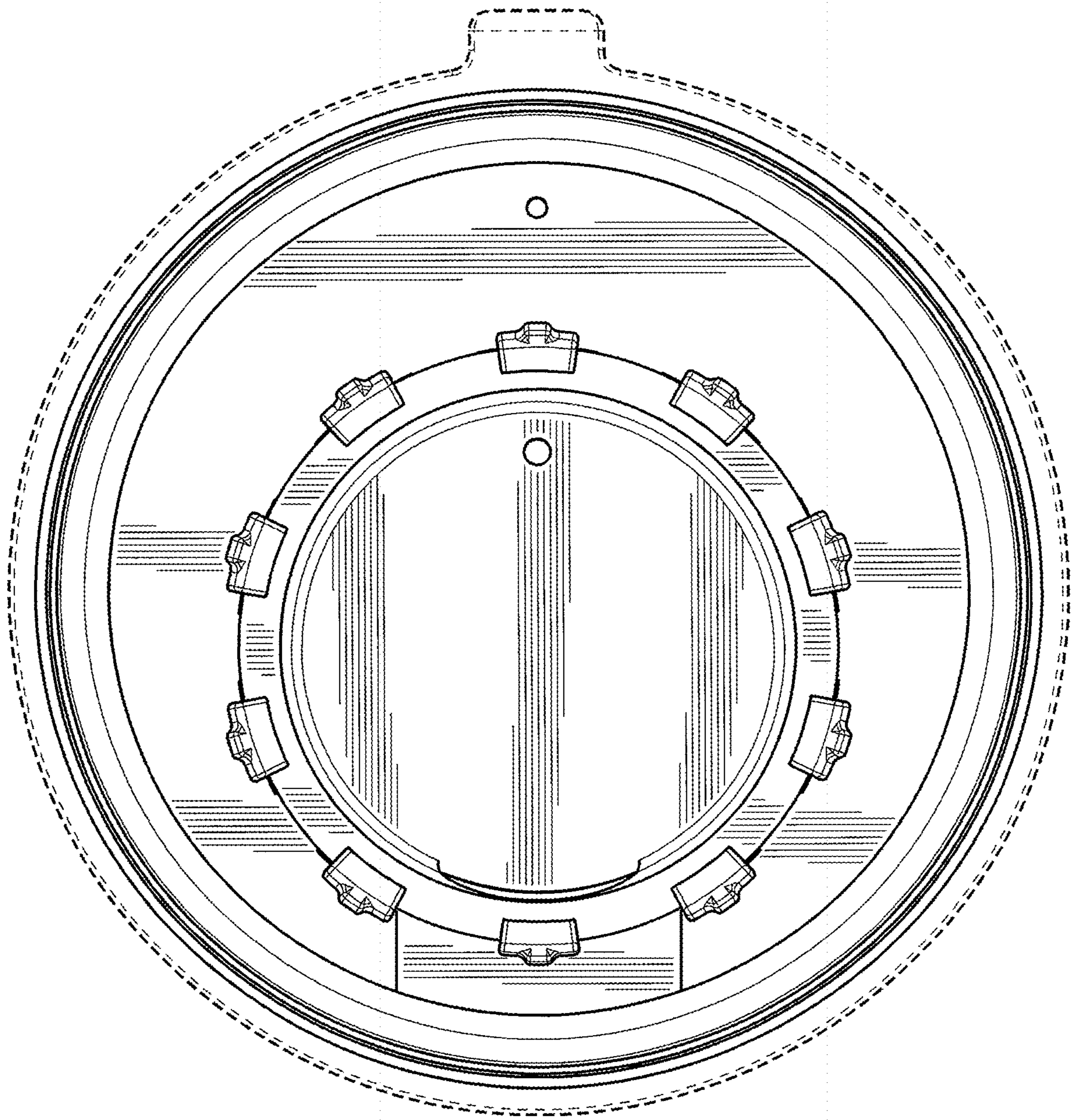


FIG. 5

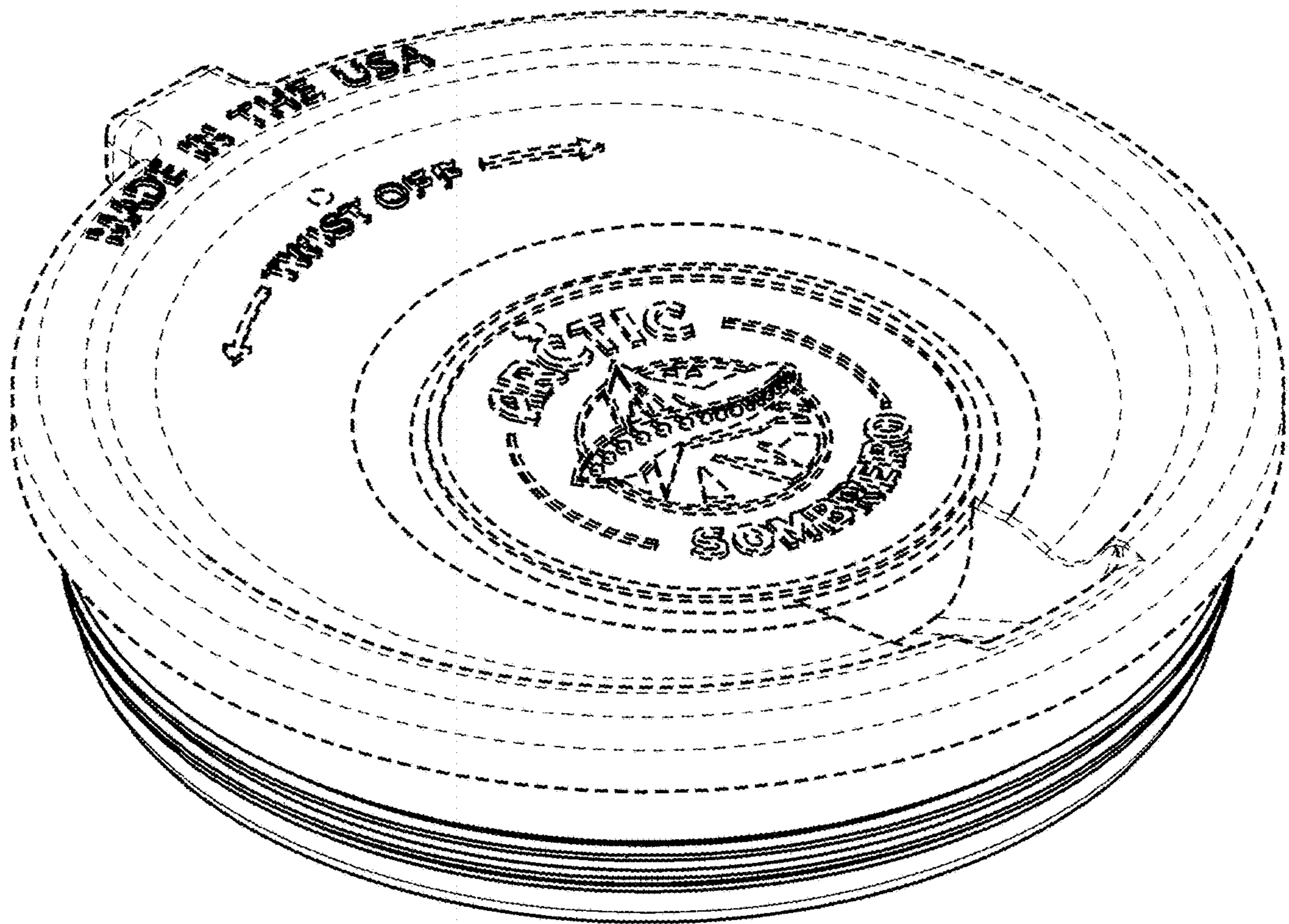


FIG. 6

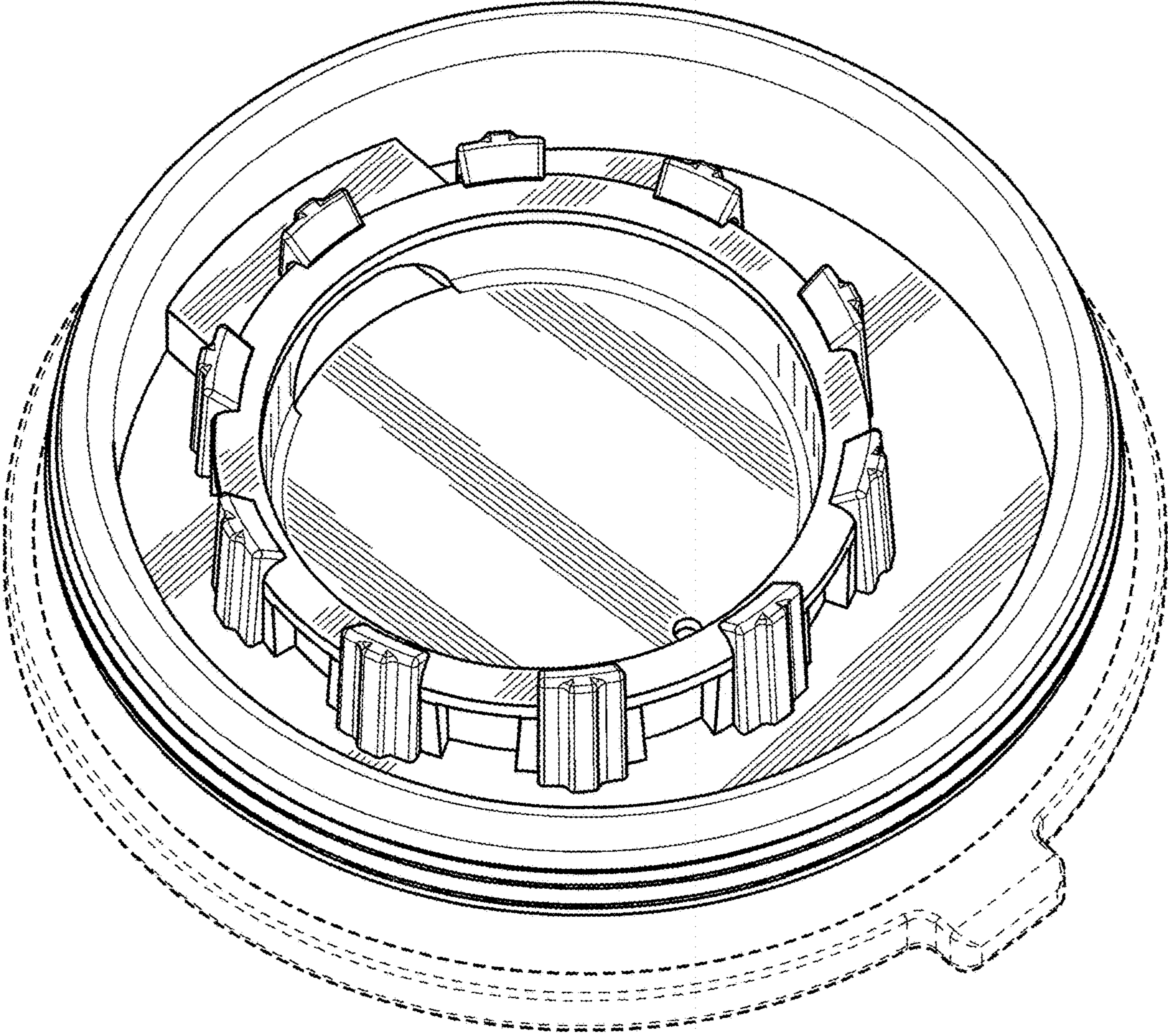


FIG. 7