



US00D936413S

(12) **United States Design Patent** (10) **Patent No.:** **US D936,413 S**  
**Omdahl, II et al.** (45) **Date of Patent:** **\*\* Nov. 23, 2021**

- (54) **LID WITH CARRY LOOP**
- (71) Applicant: **Runway Blue, LLC**, Alpine, UT (US)
- (72) Inventors: **John R. Omdahl, II**, Lindon, UT (US);  
**David O. Meyers**, Layton, UT (US)
- (73) Assignee: **Runway Blue, LLC**, Alpine, UT (US)
- (\*\*) Term: **15 Years**
- (21) Appl. No.: **29/728,923**
- (22) Filed: **Mar. 23, 2020**

7,441,941 B2 10/2008 Vernon  
 D626,837 S 11/2010 Meyers et al.  
 D626,838 S 11/2010 Meyers et al.  
 (Continued)

**OTHER PUBLICATIONS**

[https://www.amazon.com/Simple-Modern-Chug-Sports-Lid/dp/B078WG8YDD/ref=sr\\_1\\_13\\_mod\\_primary\\_new?dchild=1&keywords=hydroflask+lid+with+handle&qid=1627509879&sbo=RZvfv%2F%2FHxDF%2BO5021pAnSA%3D%3D&sr=8-13](https://www.amazon.com/Simple-Modern-Chug-Sports-Lid/dp/B078WG8YDD/ref=sr_1_13_mod_primary_new?dchild=1&keywords=hydroflask+lid+with+handle&qid=1627509879&sbo=RZvfv%2F%2FHxDF%2BO5021pAnSA%3D%3D&sr=8-13) Simple Modern Chug Sports (Year: 2017).  
 (Continued)

*Primary Examiner* — Jae Liang  
 (74) *Attorney, Agent, or Firm* — Sterne, Kessler, Goldstein & Fox P.L.L.C.

**Related U.S. Application Data**

- (62) Division of application No. 29/636,511, filed on Feb. 8, 2018, now Pat. No. Des. 878,853.

(51) **LOC (13) Cl.** ..... **07-01**

(52) **U.S. Cl.**  
USPC ..... **D7/392.1; D7/396.2; D9/443; D9/449**

(58) **Field of Classification Search**  
 USPC ..... D7/387, 392.1, 396.2, 393, 394, 397, D7/398, 213, 900, 507, 523, 532, 510, D7/511, 529, 533, 536, 534, 524, 537, D7/514, 515, 522, 412, 376, 309, 317, D7/305, 665, 300.1, 300.2; D9/435, 436, D9/443, 442, 444, 449, 450, 437, 447; D24/197  
 CPC ..... A47G 19/2205; A47G 19/22; A47J 43/27; A47J 41/02; A47J 41/0077; A47J 41/0088; A47J 41/028; A47J 31/407; A47J 31/40; A45F 3/16; B65D 85/804; B65D 41/04

See application file for complete search history.

(56) **References Cited**

**U.S. PATENT DOCUMENTS**

5,827,071 A 10/1998 Sorensen et al.  
 D418,364 S 1/2000 Demore  
 6,379,032 B1 4/2002 Sorensen  
 D510,235 S 10/2005 Sorensen  
 D532,650 S 11/2006 de Groote

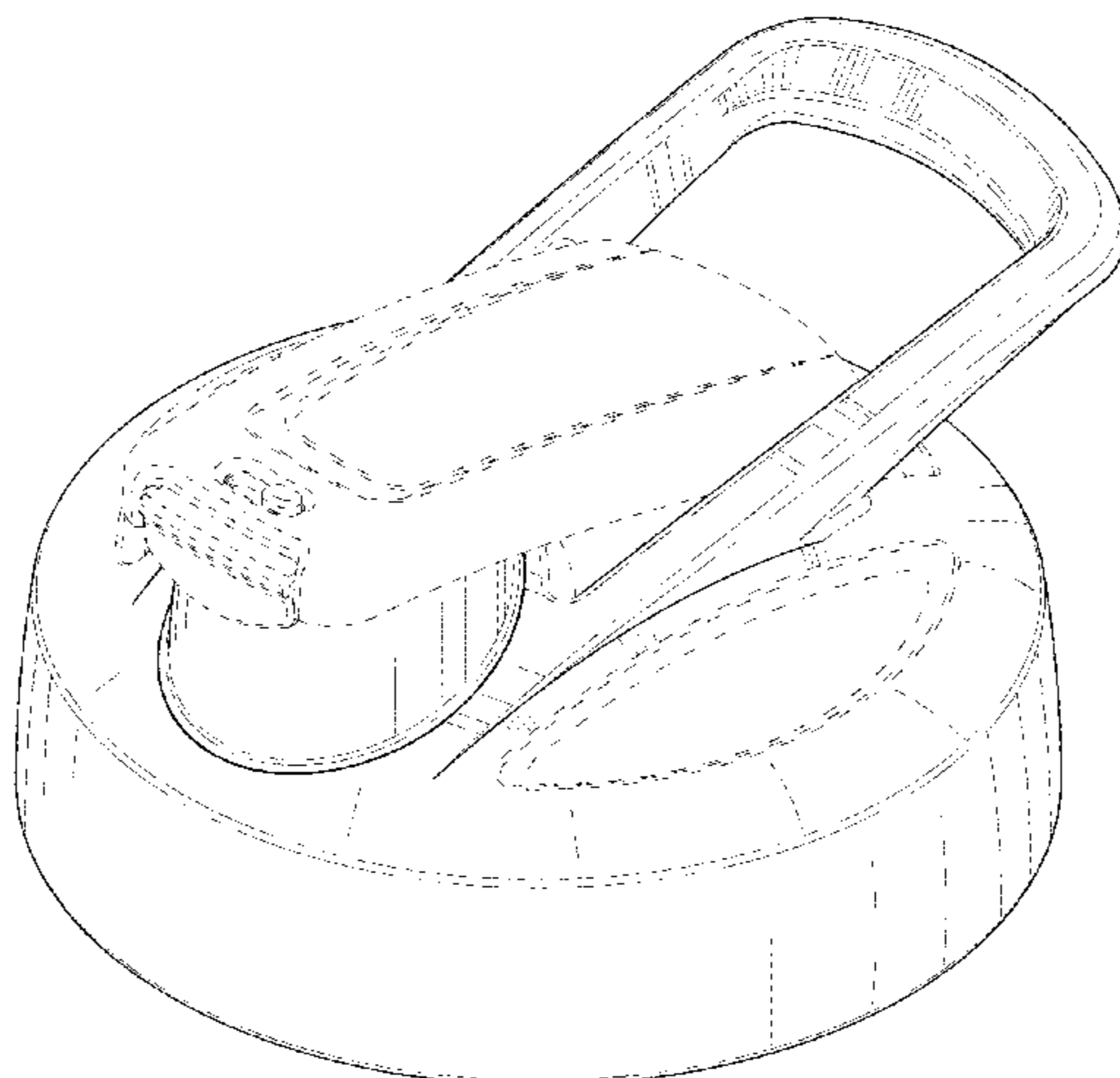
(57) **CLAIM**

The ornamental design for a lid with carry loop, as shown and described.

**DESCRIPTION**

FIG. 1 is a top front perspective view of a lid with carry loop showing our new design;  
 FIG. 2 is a top rear perspective view of the lid with carry loop shown in FIG. 1;  
 FIG. 3 is a front view of the lid with carry loop shown in FIG. 1;  
 FIG. 4 is a rear view of the lid with carry loop shown in FIG. 1;  
 FIG. 5 is a left side view of the lid with carry loop shown in FIG. 1;  
 FIG. 6 is a right side view of the lid with carry loop shown in FIG. 1;  
 FIG. 7 is a top view of the lid with carry loop shown in FIG. 1; and,  
 FIG. 8 is a bottom view of the lid with carry loop shown in FIG. 1.

(Continued)



The broken lines are shown for the purpose of illustrating environmental structure and parts of the article that form no part of the claimed design.

**1 Claim, 8 Drawing Sheets**

(56)

**References Cited**

U.S. PATENT DOCUMENTS

D639,661 S 6/2011 Llerena  
 D639,663 S 6/2011 Llerena  
 D640,559 S 6/2011 Llerena  
 D644,065 S 8/2011 Llerena  
 D667,694 S 9/2012 Meyers et al.  
 D677,121 S 3/2013 Meyers et al.  
 D686,885 S 7/2013 Meyers et al.  
 D686,886 S 7/2013 Meyers et al.  
 D686,887 S 7/2013 Meyers et al.  
 D686,888 S 7/2013 Meyers et al.  
 D696,079 S 12/2013 Meyers et al.  
 D696,551 S 12/2013 Meyers et al.  
 D697,798 S 1/2014 Sorensen et al.  
 8,695,830 B2 4/2014 Meyers et al.  
 8,833,586 B2 9/2014 Meyers et al.  
 8,844,746 B2 9/2014 Meyers et al.  
 D721,276 S 1/2015 Herbst  
 8,939,305 B2 1/2015 Meyers et al.  
 D727,097 S 4/2015 Sorensen et al.  
 D732,339 S 6/2015 Sorensen et al.  
 D733,497 S 7/2015 Sorensen et al.  
 D739,174 S 9/2015 Elsaden et al.  
 9,120,598 B2 9/2015 Meyers et al.  
 D745,827 S 12/2015 Sorensen et al.  
 9,216,843 B2 12/2015 Sorensen et al.  
 D748,430 S 2/2016 Sorensen et al.  
 D748,478 S 2/2016 Sorensen et al.  
 D752,382 S 3/2016 Ksiazek et al.  
 D758,127 S 6/2016 Zhao  
 D760,027 S 6/2016 Meyers et al.  
 D760,586 S 7/2016 Seiders et al.  
 9,392,893 B2 7/2016 Sorensen et al.  
 D762,418 S 8/2016 Sorensen et al.  
 D768,491 S 10/2016 Sorensen et al.  
 9,492,024 B2 11/2016 Sorensen et al.  
 D778,129 S 2/2017 Sorensen et al.  
 D779,872 S 2/2017 Bergstrom  
 9,694,953 B2 7/2017 Meyers et al.  
 D793,154 S 8/2017 Sorensen et al.  
 D795,646 S 8/2017 Sorensen et al.  
 D797,497 S 9/2017 Sorensen et al.

D797,498 S 9/2017 Sorensen et al.  
 D797,516 S 9/2017 Meyers et al.  
 D799,973 S 10/2017 Sorensen et al.  
 9,790,007 B2 10/2017 Sorensen et al.  
 D802,993 S \* 11/2017 Joseph ..... D7/392.1  
 D804,903 S 12/2017 Mason et al.  
 D807,111 S 1/2018 Sorensen et al.  
 D811,810 S \* 3/2018 Joseph ..... D7/392.1  
 D814,855 S \* 4/2018 Hammer ..... D7/392.1  
 D817,084 S 5/2018 Hammer  
 D817,086 S 5/2018 Guthrie  
 D818,312 S 5/2018 Bums et al.  
 D820,038 S 6/2018 Sorensen et al.  
 D826,631 S 8/2018 Baron et al.  
 D830,119 S 10/2018 Sorensen et al.  
 D833,224 S \* 11/2018 Wahlkvist ..... D7/510  
 D854,880 S \* 7/2019 Meyers ..... D7/392.1  
 D858,182 S \* 9/2019 Keung ..... D7/392.1  
 D862,156 S 10/2019 Meyers et al.  
 D863,877 S \* 10/2019 Meyers ..... D7/396.2  
 D864,657 S \* 10/2019 Omdahl, II ..... D7/392.1  
 D875,473 S \* 2/2020 Wahlkvist ..... D7/510  
 D878,150 S \* 3/2020 Omdahl, II ..... D7/396.2  
 D878,853 S 3/2020 Omdahl et al.  
 D878,855 S \* 3/2020 Nucci ..... D7/392.1  
 D897,149 S \* 9/2020 Sorensen ..... D7/392.1  
 D897,760 S \* 10/2020 Feng ..... D7/392.1  
 D898,507 S \* 10/2020 Ekblom ..... D7/392.1  
 D899,846 S \* 10/2020 Wang ..... D7/392.1  
 D900,540 S \* 11/2020 Sorensen ..... D7/392.1  
 D903,403 S \* 12/2020 Ames ..... D7/392  
 D923,396 S \* 6/2021 Lin ..... D7/392.1  
 2010/0181329 A1 7/2010 Davies et al.  
 2014/0069918 A1 3/2014 Meyers et al.  
 2014/0091086 A1 \* 4/2014 Sorensen ..... A47G 19/2205  
 220/4.27  
 2014/0263324 A1 9/2014 Latham et al.  
 2014/0360908 A1 12/2014 Sorensen et al.  
 2015/0173539 A1 6/2015 Mason  
 2015/0201773 A1 7/2015 Sorensen et al.  
 2015/0201774 A1 7/2015 Sorensen et al.  
 2015/0201775 A1 7/2015 Sorensen et al.  
 2016/0264320 A1 9/2016 Meyers et al.  
 2017/0007076 A1 1/2017 Sorensen et al.  
 2017/0225850 A1 8/2017 Sorensen et al.  
 2018/0170630 A1 6/2018 Ayriss et al.  
 2019/0161251 A1 5/2019 Fang

OTHER PUBLICATIONS

Office Action issued in U.S. Appl. No. 29/619,840 dated Nov. 29, 2018, 6 pgs.

\* cited by examiner

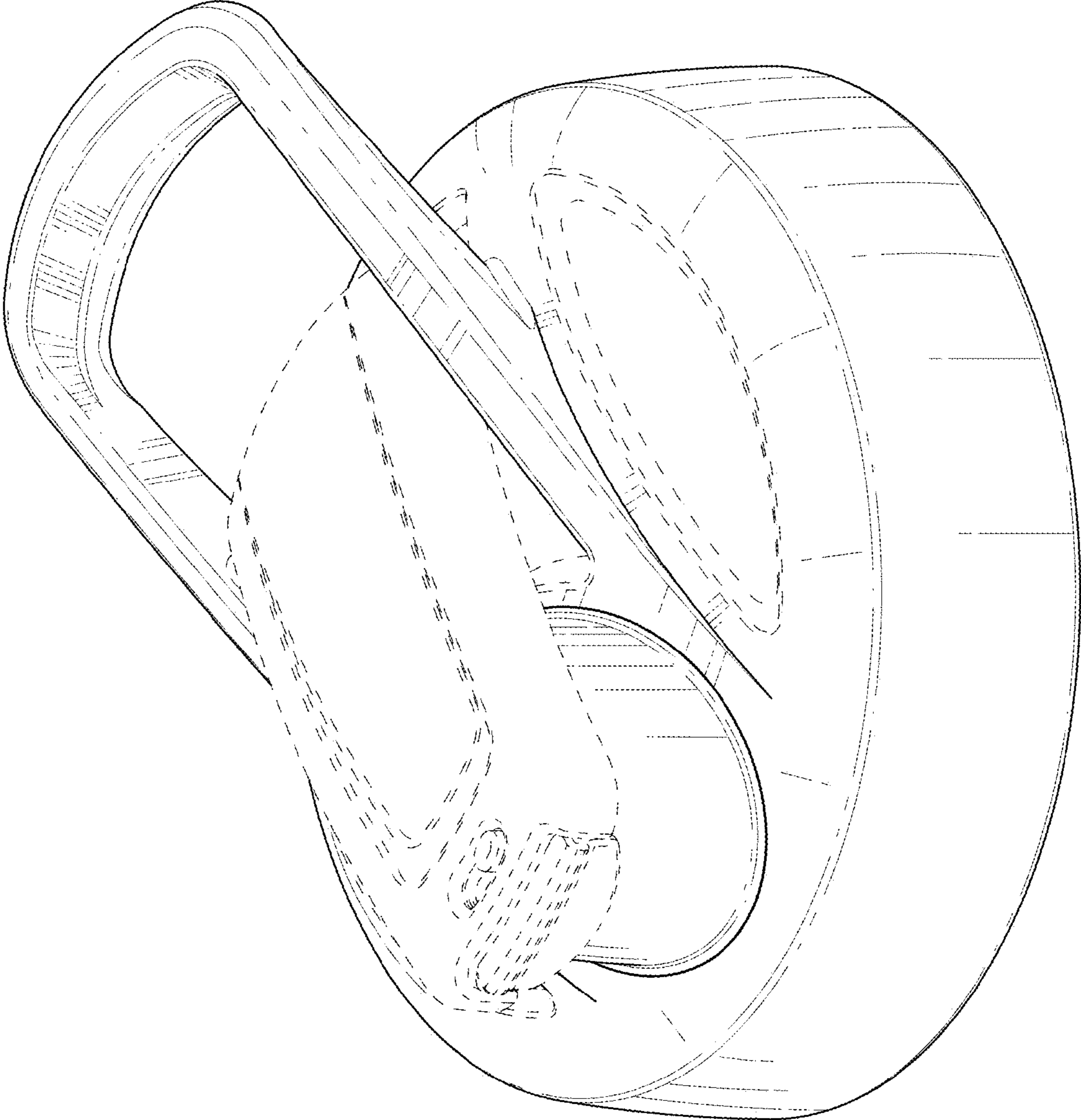


FIG. 1



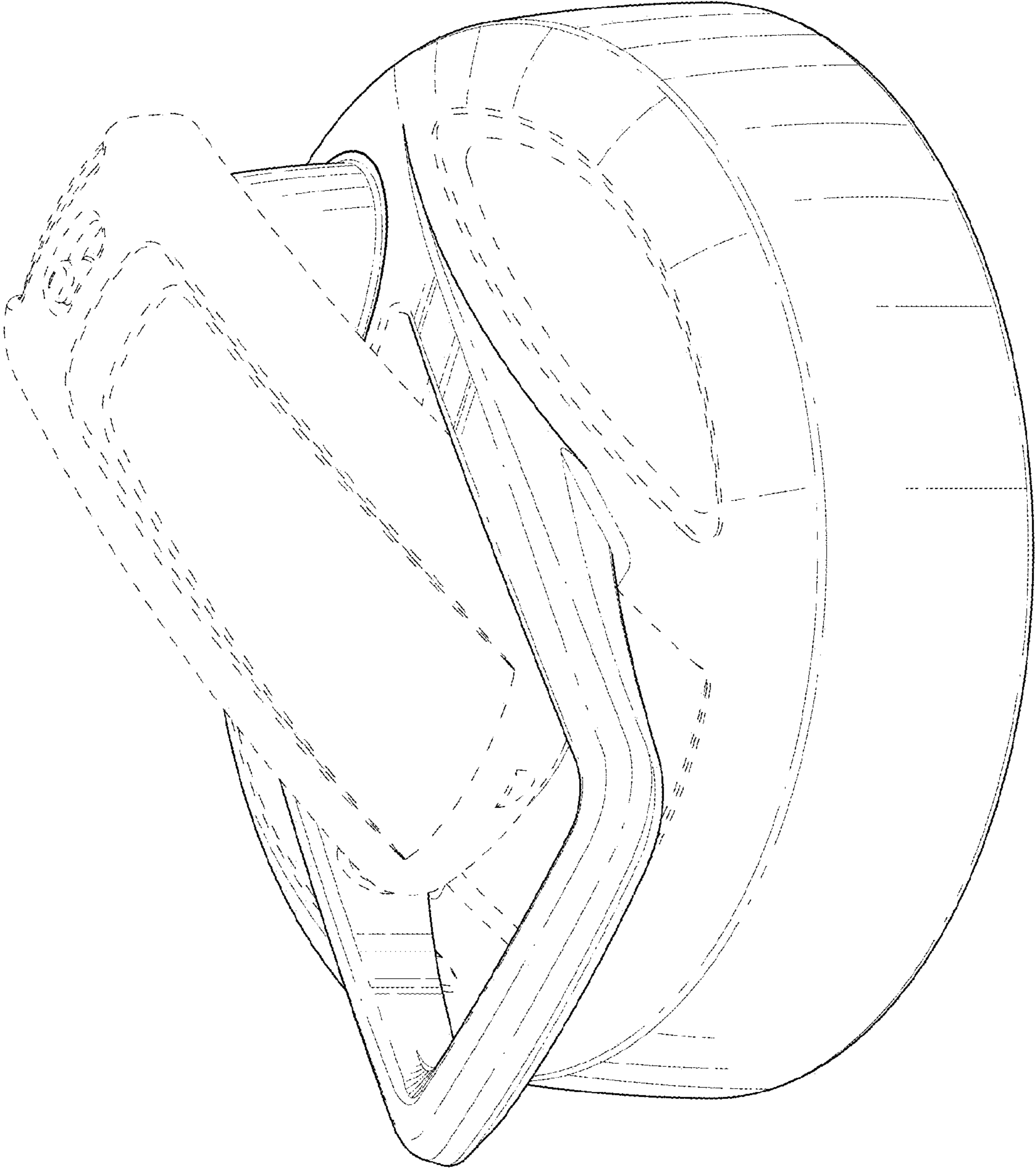


FIG. 2

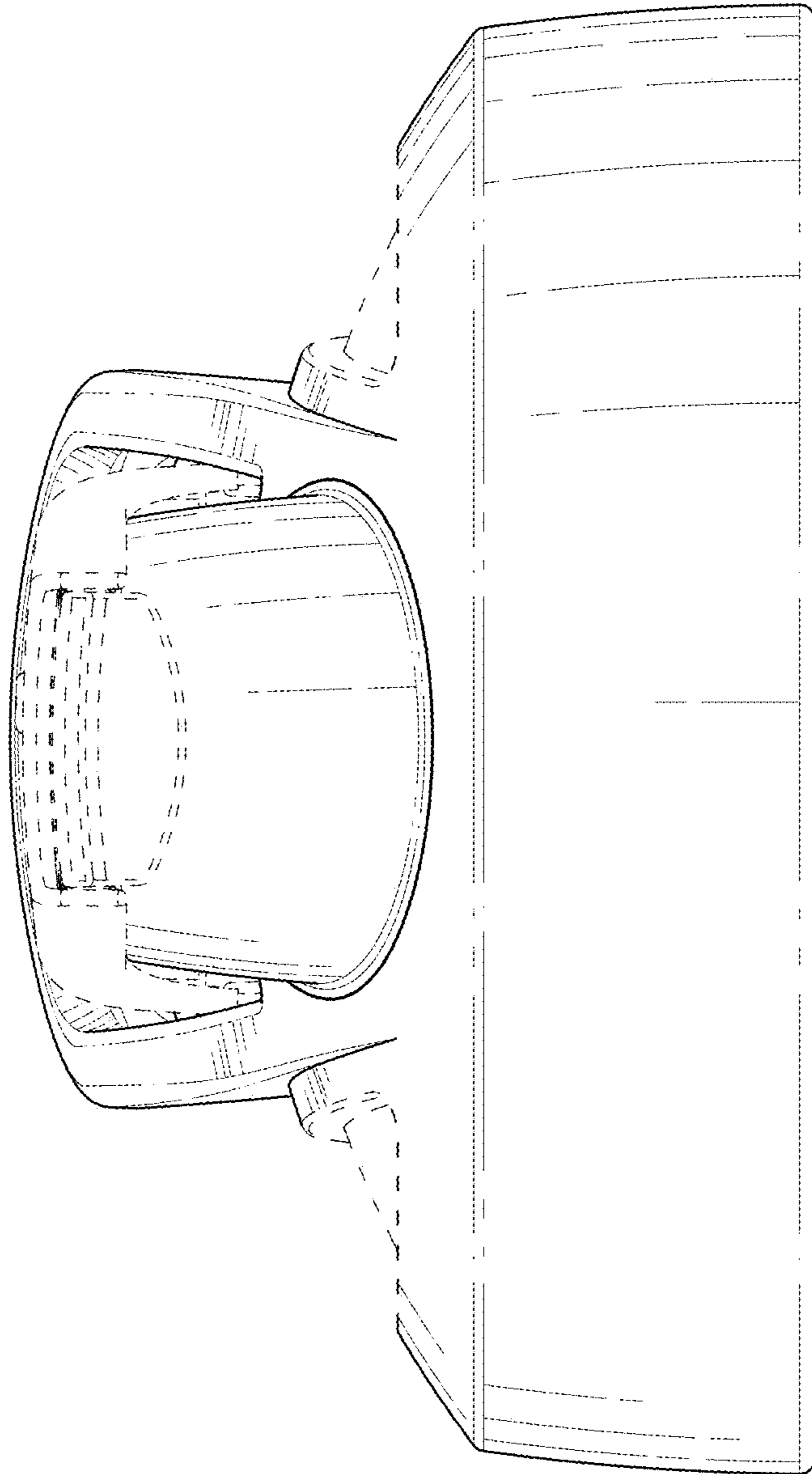


FIG. 3

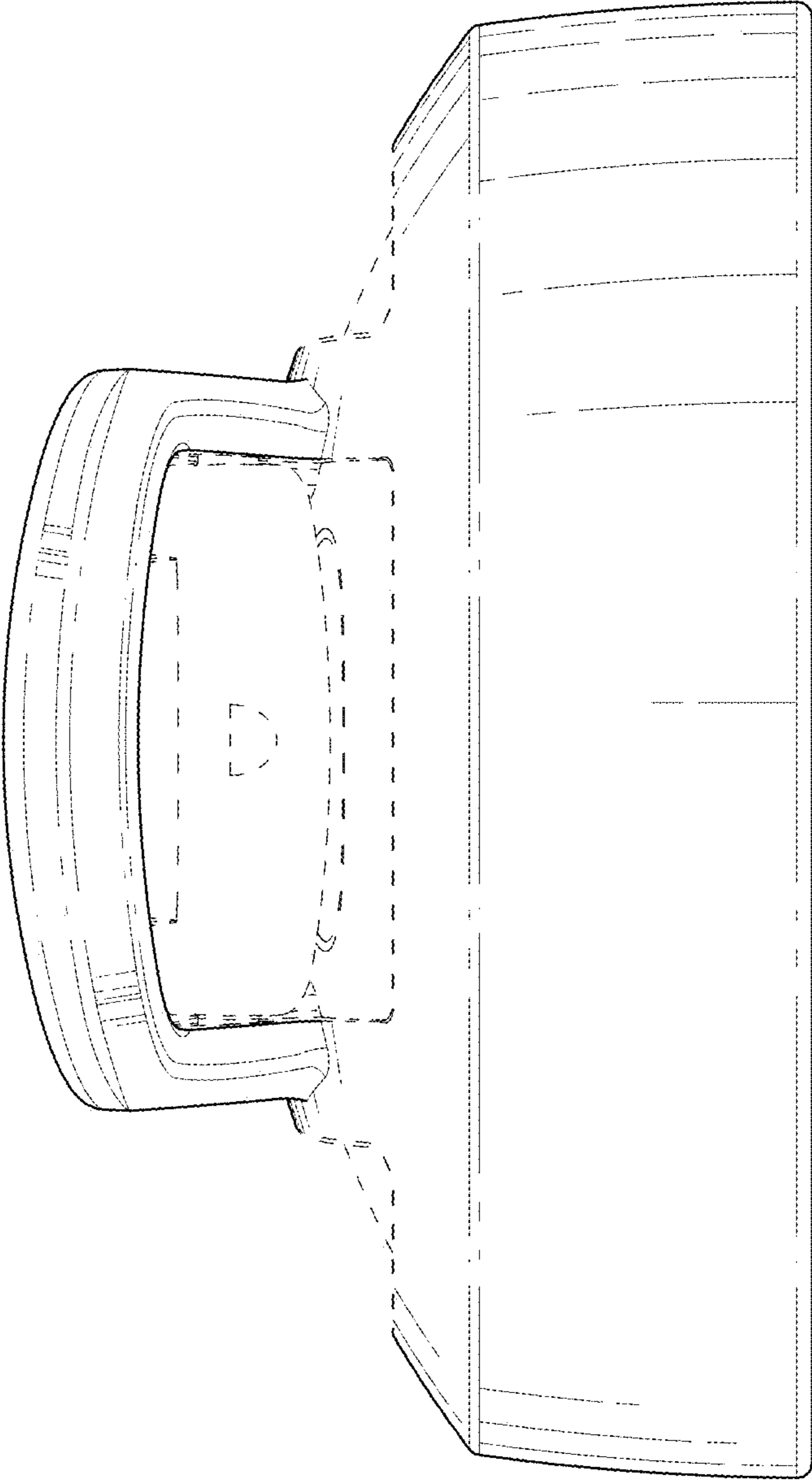


FIG. 4

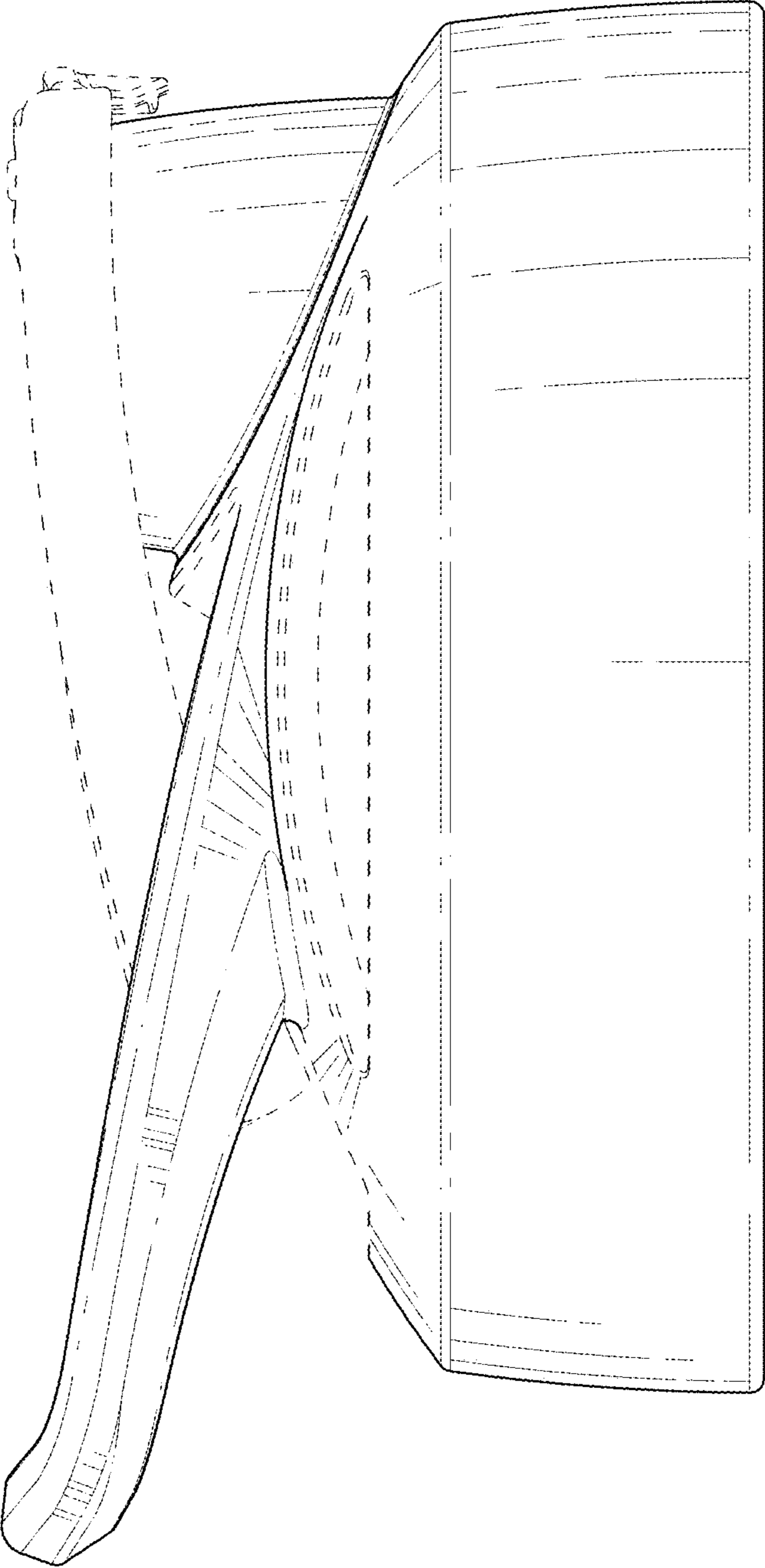


FIG. 5

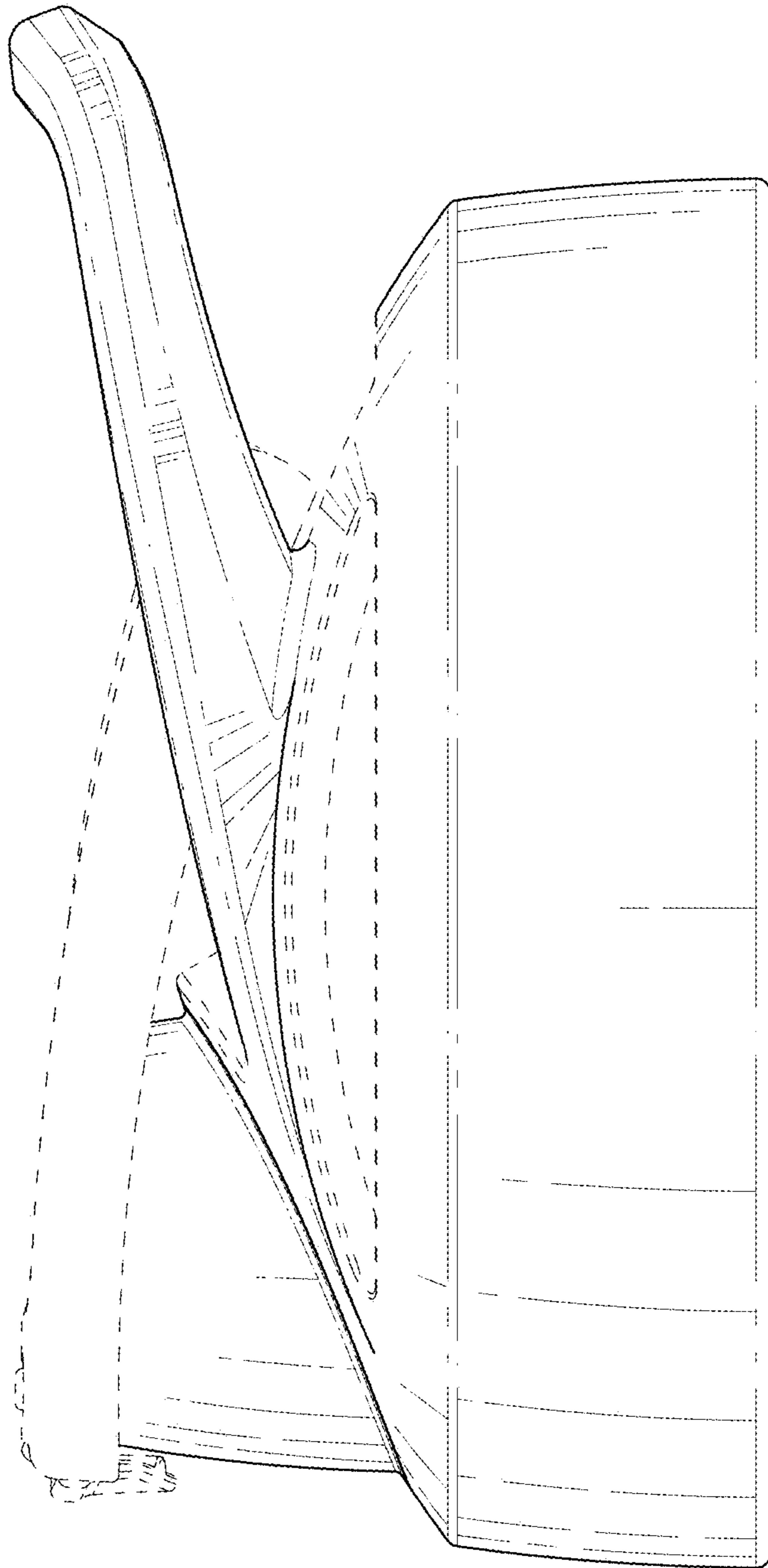


FIG. 6



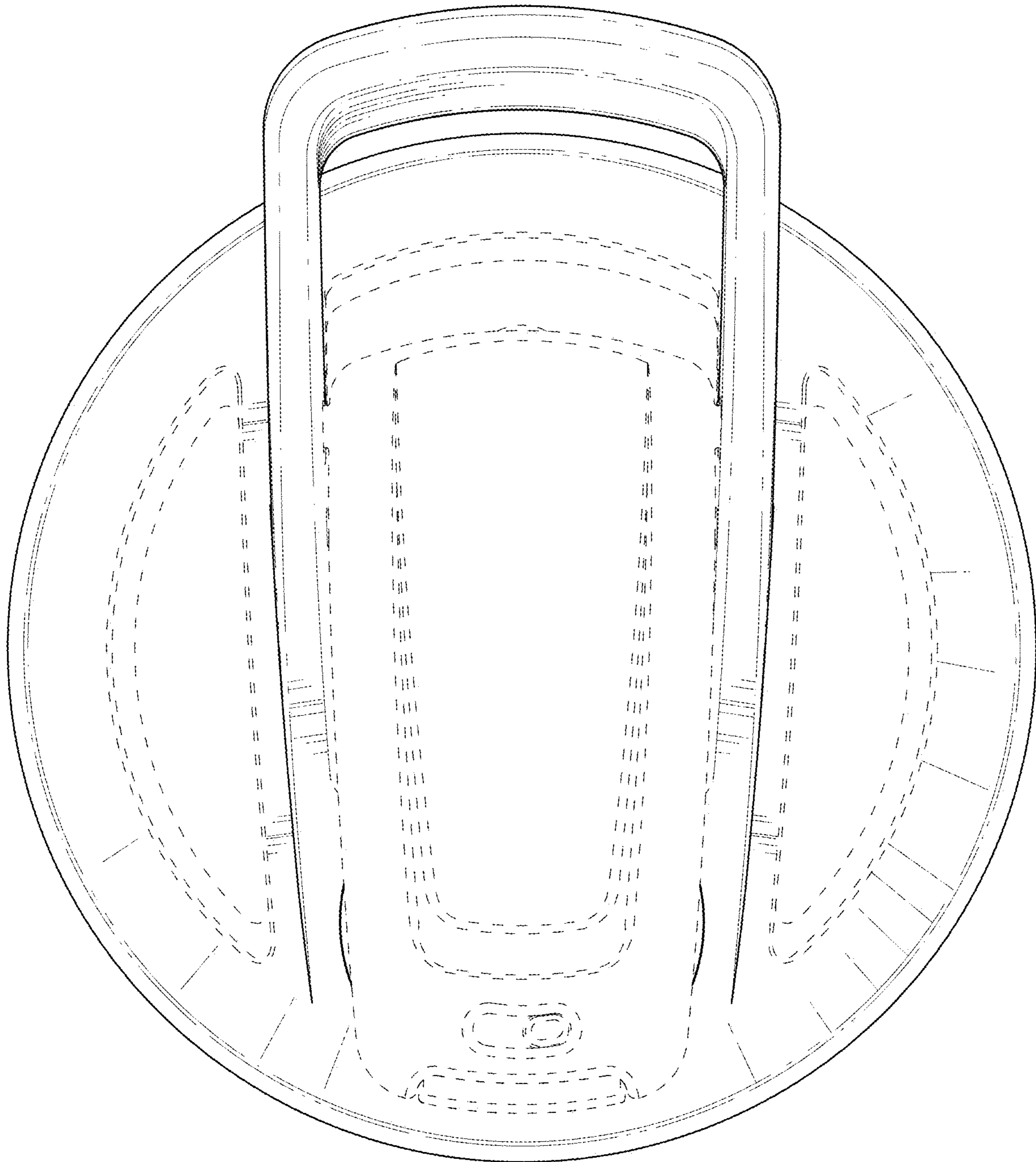


FIG. 7

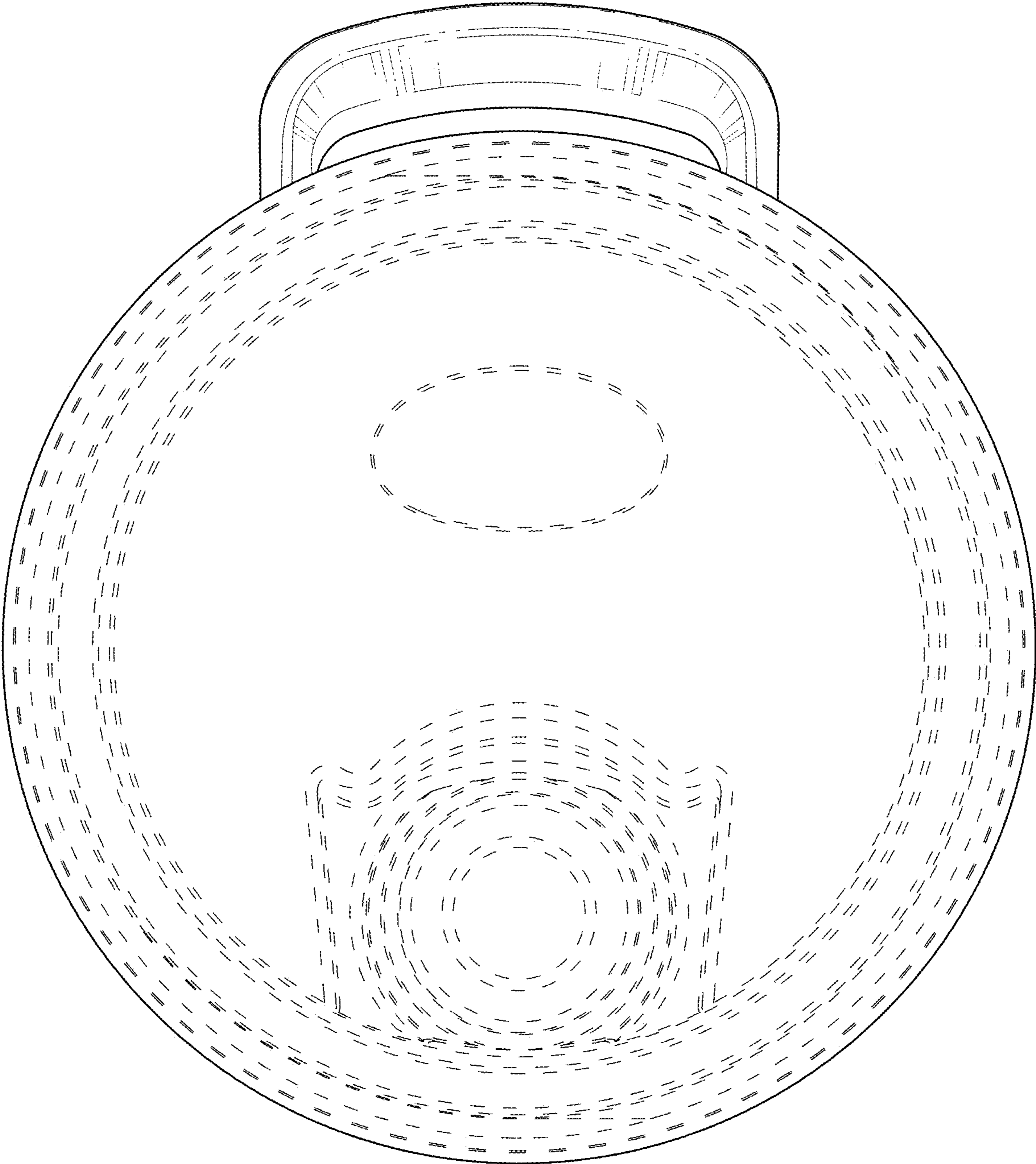


FIG. 8