



US00D936412S

(12) **United States Design Patent** (10) **Patent No.:** **US D936,412 S**
Lissoni et al. (45) **Date of Patent:** **** Nov. 23, 2021**

(54) **MILK FROTHER**
(71) Applicant: **Illycaffè S.p.A.**, Trieste (IT)
(72) Inventors: **Piero Lissoni**, Trieste (IT); **Francesco Canesi Lissoni**, Trieste (IT)
(73) Assignee: **ILLYCAFFÈ S.P.A.**, Trieste (IT)
(**) Term: **15 Years**

D731,226 S * 6/2015 Sun D7/316
D738,669 S * 9/2015 Brook D7/317
D830,759 S * 10/2018 Vu D7/319
D876,148 S * 2/2020 Jing D7/318
2004/0107843 A1* 6/2004 Oldani A47J 31/4489
99/452
2009/0266240 A1* 10/2009 Elissen A47J 36/165
99/323.3
2012/0291637 A1* 11/2012 Yu A47J 27/004
99/453
2020/0113369 A1* 4/2020 Bardot A47J 31/20

(21) Appl. No.: **29/685,276**
(22) Filed: **Mar. 27, 2019**
(51) **LOC (13) Cl.** **31-00**
(52) **U.S. Cl.**
USPC **D7/377**
(58) **Field of Classification Search**
USPC D7/306, 309, 372, 374, 376, 377, 378,
D7/379, 380, 381, 383, 384, 385, 386,
D7/412, 413, 598, 694, 669, 679
CPC .. A47J 43/04; A47J 43/25; A47J 43/27; A47J
43/042; A47J 43/044; A47J 43/046; A47J
43/075; A47J 43/0722; A47J 43/0727;
A47J 42/40; A21C 1/02; A21C 1/04;
A23G 9/045; A23N 1/00; A23N 1/02;
B01F 3/00; B01F 3/0807; B01F 3/0853;
B01F 13/0059; B01F 13/0064; B02C
1/08; B02C 2/04; B02C 4/42; B02C
4/142; B02C 4/143; B02C 4/423; B02C
13/1835; B28C 5/10; B28C 5/12; B28C
5/14; B28C 5/16

See application file for complete search history.

(56) **References Cited**

U.S. PATENT DOCUMENTS

D398,474 S * 9/1998 Wagner D7/305
D607,685 S * 1/2010 Elissen D7/317
D613,988 S * 4/2010 Lane D7/317
D644,478 S * 9/2011 Czach D7/372
D668,905 S * 10/2012 Lane D7/317

OTHER PUBLICATIONS

Jimhomni Detachable Milk Frother, announced Jul. 4, 2019 [online],
retrieved Jul. 1, 2020, retrieved from internet, <https://www.amazon.com/JIMHOMNI-Detachable-Frother-Automatic-Functionality/dp/B07WJWW7YV>.*

* cited by examiner

Primary Examiner — Dana K Weiland
Assistant Examiner — Messina L Smith
(74) *Attorney, Agent, or Firm* — Panitch Schwarze
Belisario & Nadel LLP

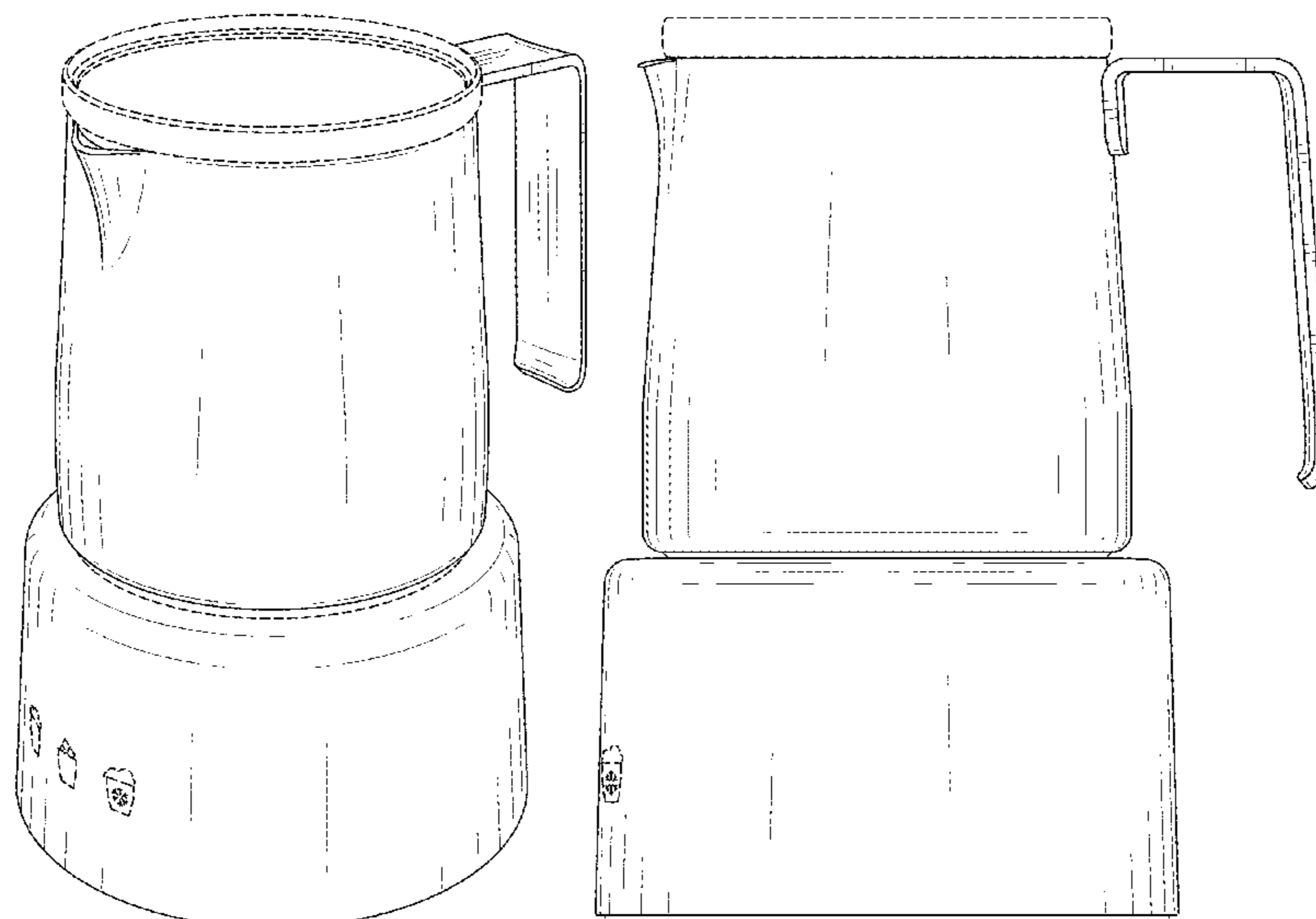
(57) **CLAIM**

The ornamental design for a milk frother, as shown and described.

DESCRIPTION

FIG. 1 is a perspective view of a milk frother, showing the new design;
FIG. 2 is a front view thereof;
FIG. 3 is a rear view thereof;
FIG. 4 is a left view thereof;
FIG. 5 is a right view thereof;
FIG. 6 is a bottom view thereof; and,
FIG. 7 is a top view thereof.
The broken lines in the drawings depict portions of the milk frother that form no part of the claimed design.

1 Claim, 7 Drawing Sheets



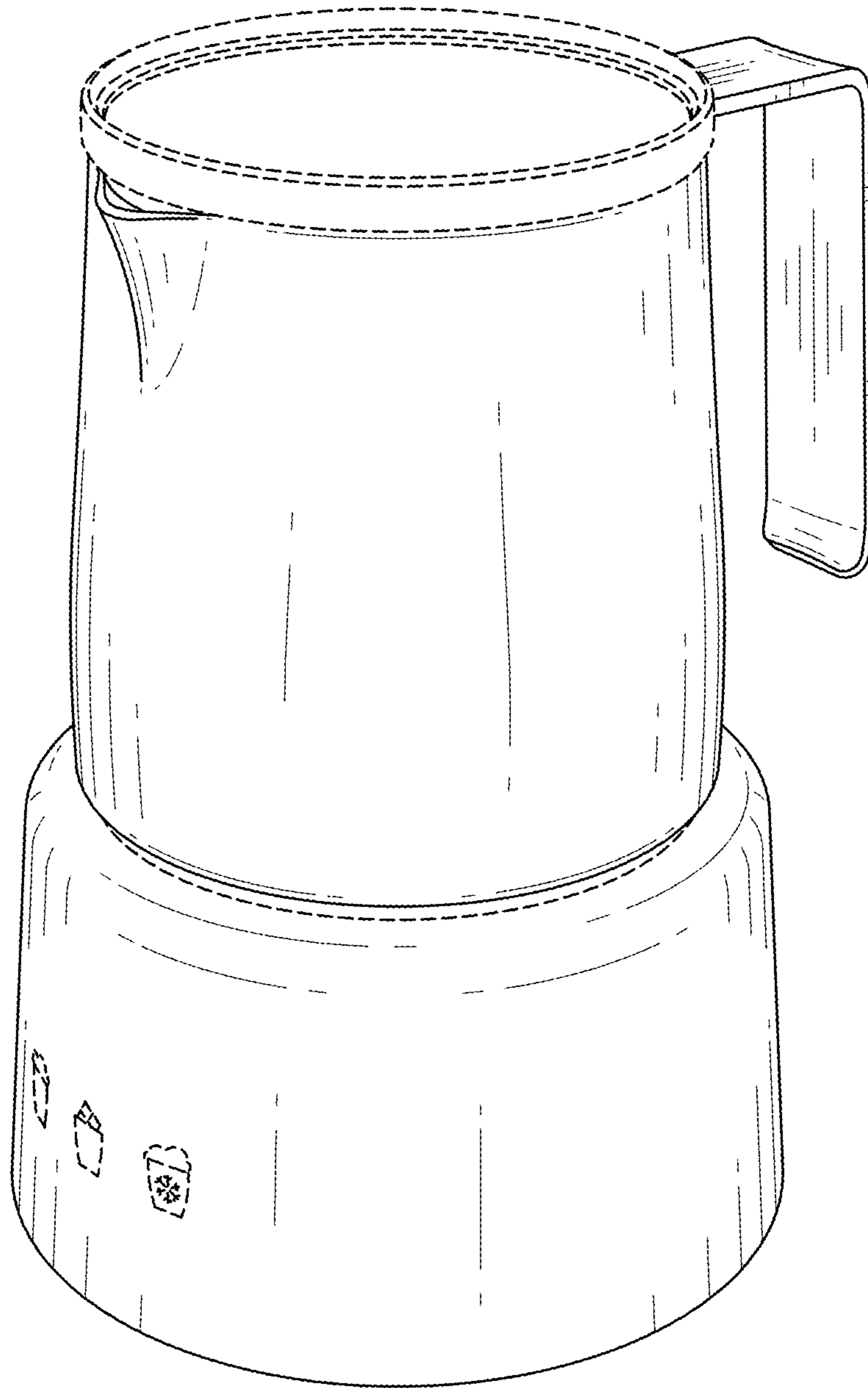


Fig. 1

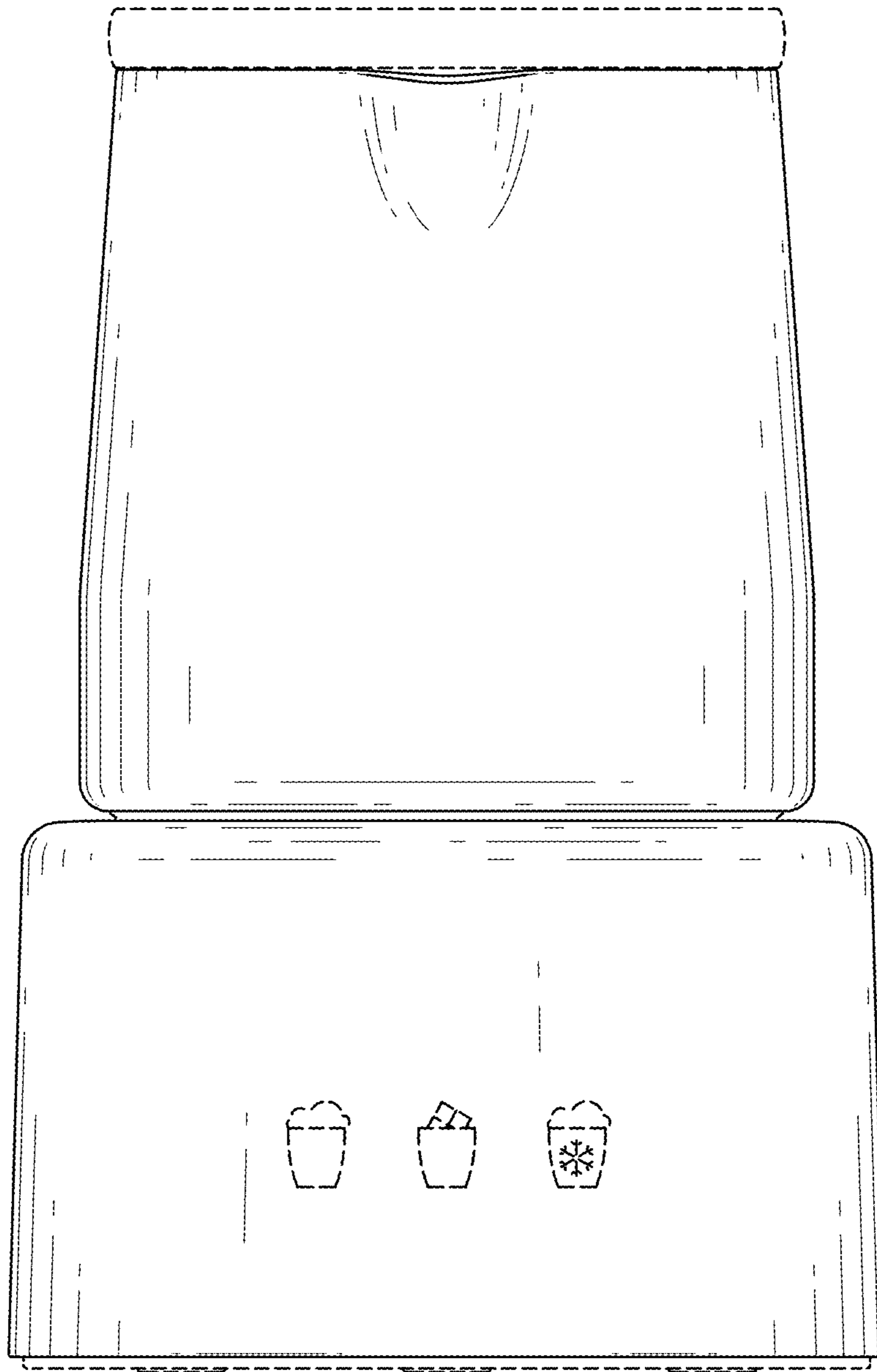


Fig. 2

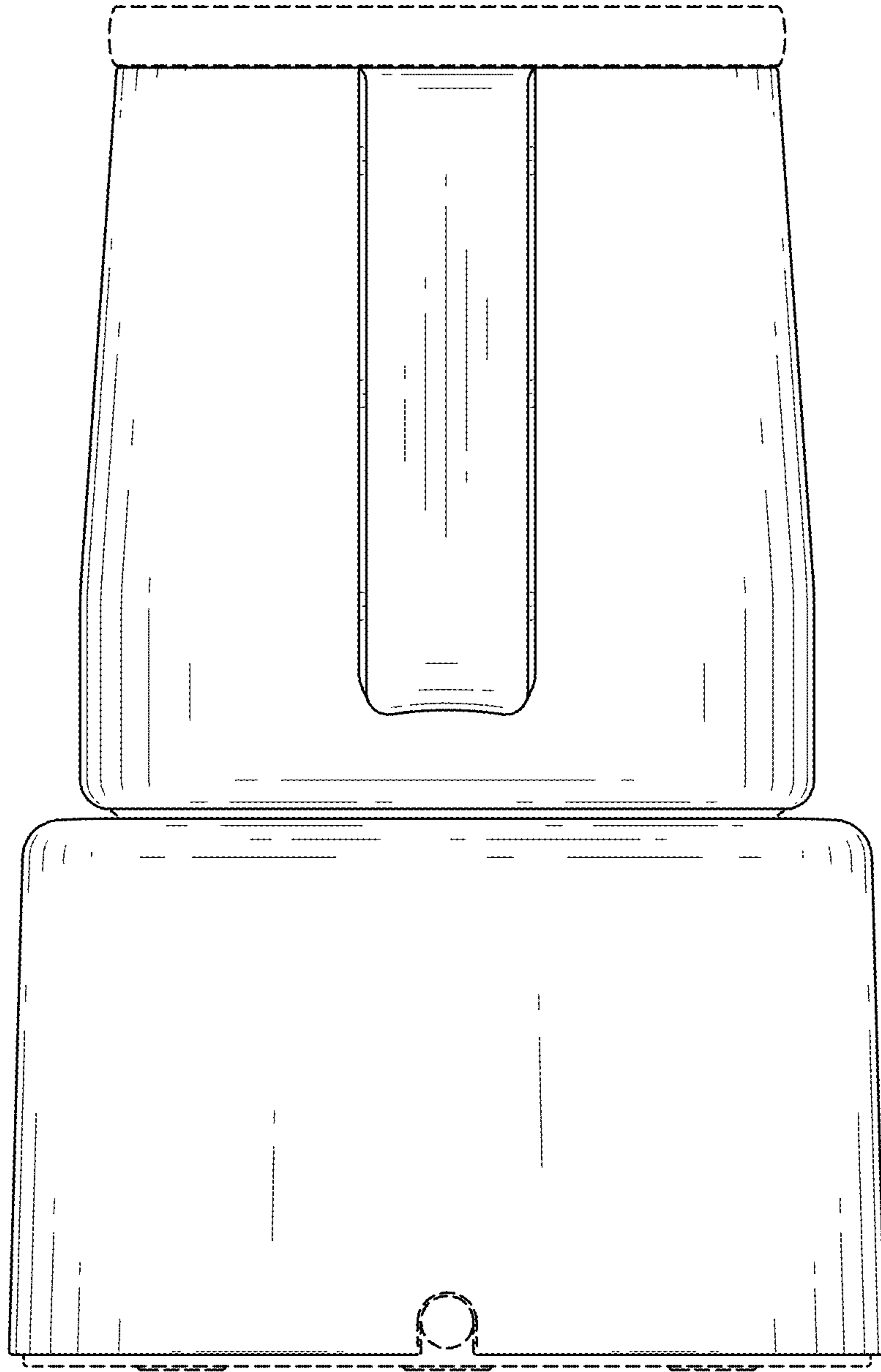


Fig. 3

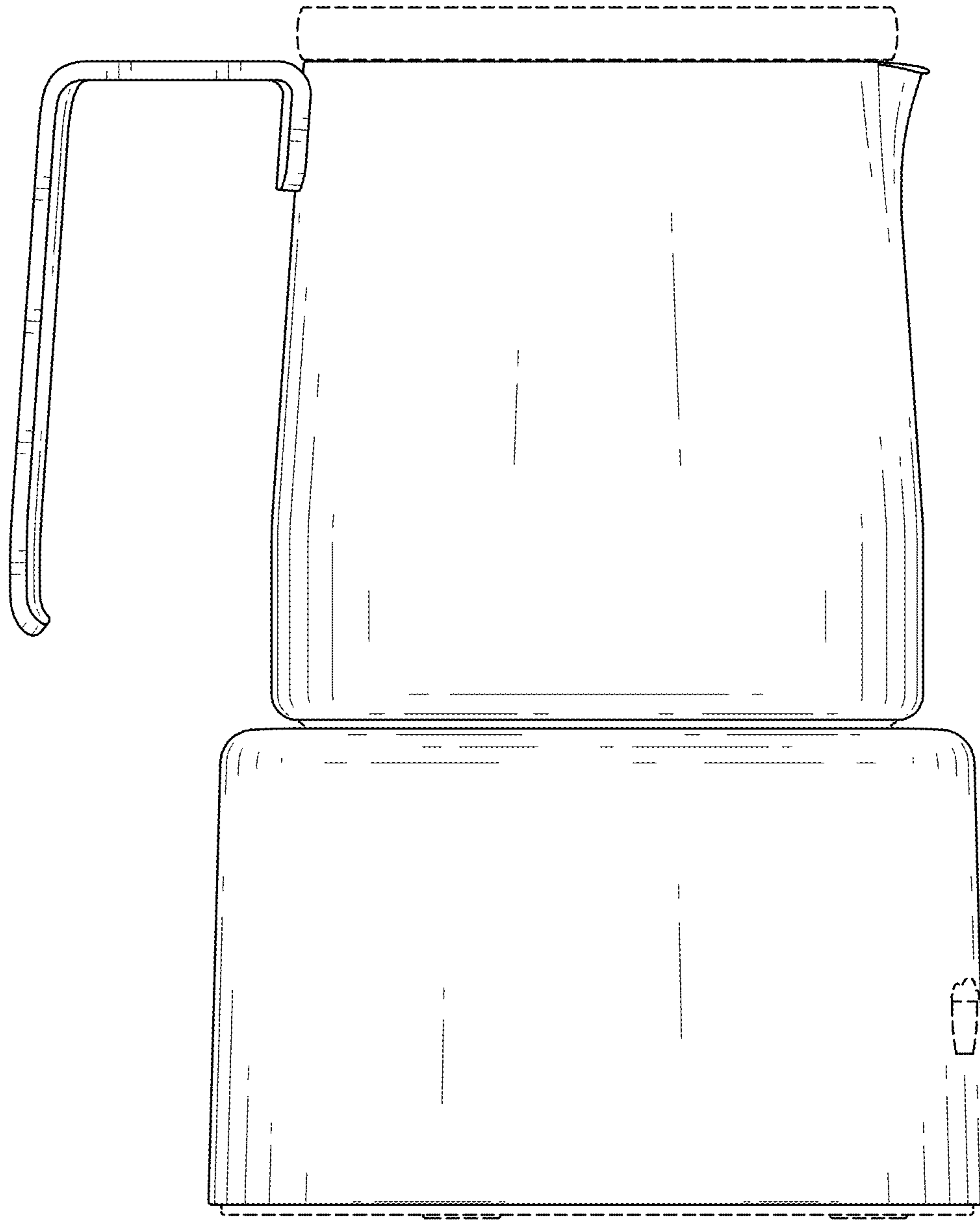


Fig. 4

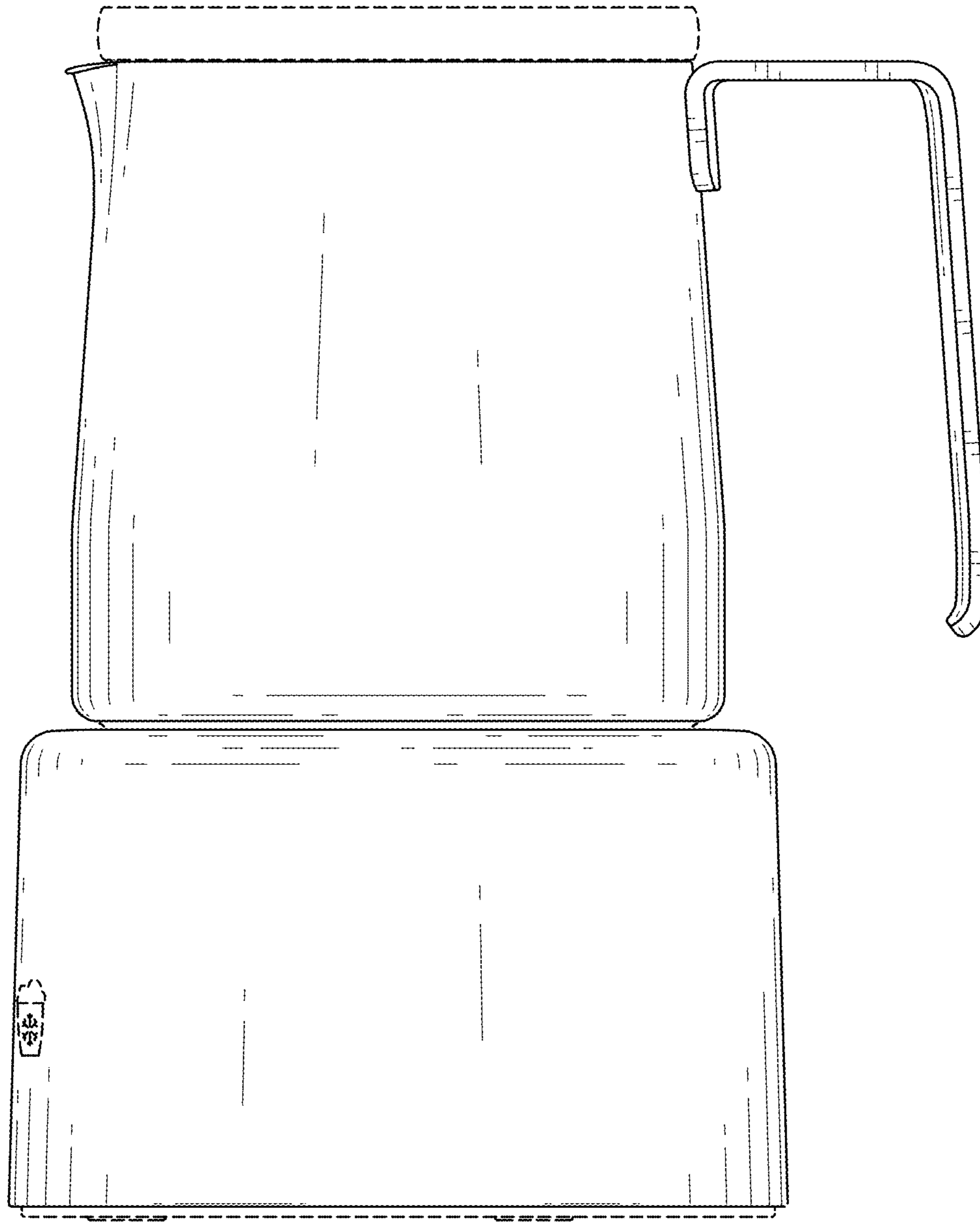


Fig. 5

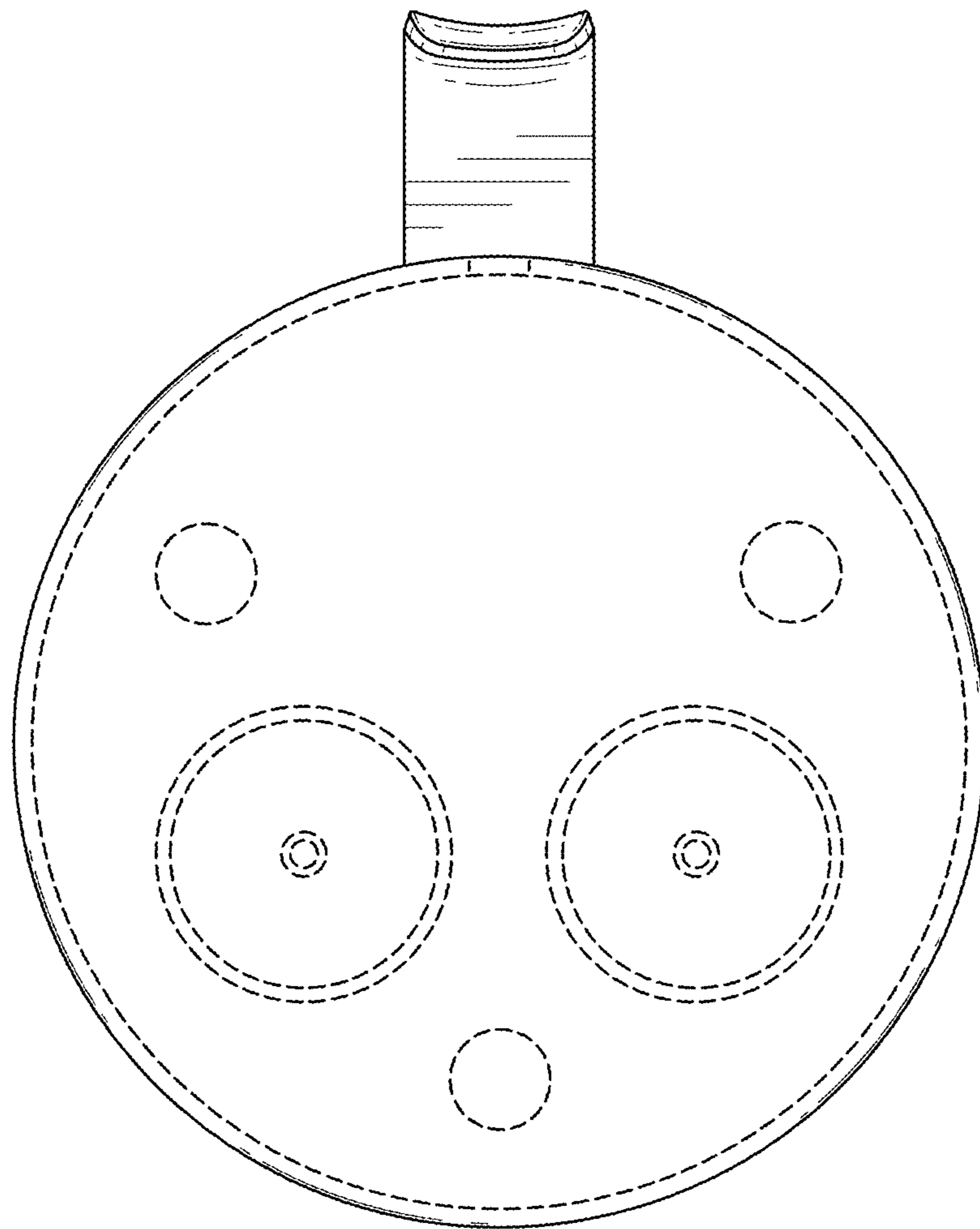


Fig. 6

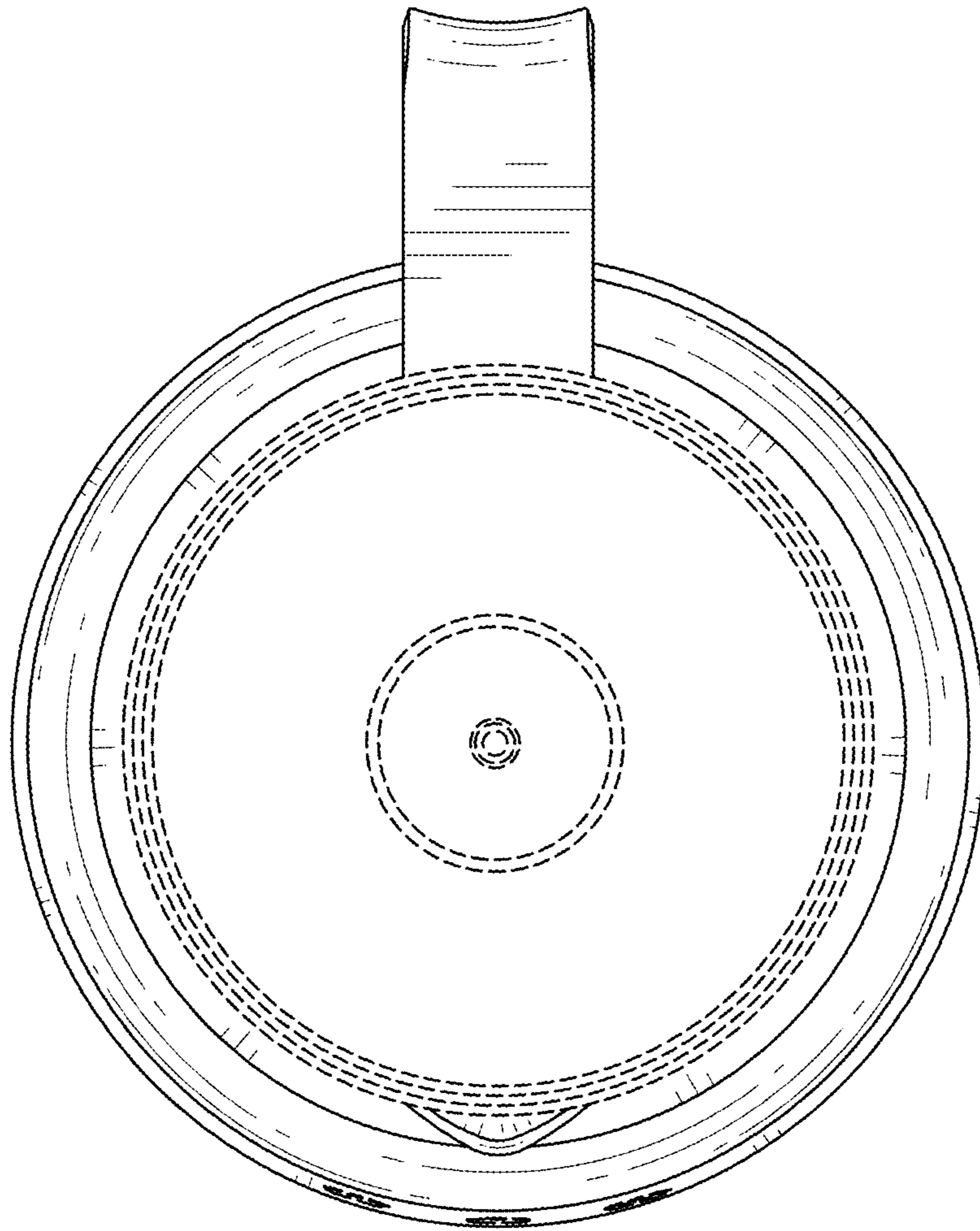


Fig. 7