



US00D936409S

(12) **United States Design Patent** (10) **Patent No.:** **US D936,409 S**
Ritchie et al. (45) **Date of Patent:** **** Nov. 23, 2021**

(54) **OVEN**

(56) **References Cited**

(71) Applicant: **The Cashmere Caveman Co, Wild Kitchens Limited**, London (GB)

U.S. PATENT DOCUMENTS

(72) Inventors: **Guy Stuart Ritchie**, London (GB);
Nigel Bruce True, London (GB)

D254,865 S * 4/1980 Saye D23/350
D262,651 S * 1/1982 Louderback D23/343
D547,111 S * 7/2007 Loyd D7/348
8,061,348 B1 * 11/2011 Rodriguez F24B 1/182
126/506

(73) Assignee: **The Cashmere Caveman Co, Wild Kitchens Limited**, London (GB)

D688,507 S * 8/2013 Hill D7/323
D715,084 S * 10/2014 Hill D7/332
9,907,435 B2 * 3/2018 Kohler A47J 37/0704
D862,970 S * 10/2019 Moretti D7/339

(**) Term: **15 Years**

2001/0035176 A1 * 11/2001 Bush, III A47J 37/0704
126/25 R

(21) Appl. No.: **29/736,719**

2006/0191528 A1 * 8/2006 Spangrud A47J 37/0781
126/275 R

(22) Filed: **Jun. 2, 2020**

2015/0233585 A1 * 8/2015 Creel F24B 1/22
126/19 R

(30) **Foreign Application Priority Data**

* cited by examiner

Mar. 19, 2020 (GB) 6085703

Primary Examiner — Ricky Pham

(51) **LOC (13) Cl.** **07-02**

(74) *Attorney, Agent, or Firm* — Brown Rudnick LLP

(52) **U.S. Cl.**

(57) **CLAIM**

USPC **D7/348**

The ornamental designs for an oven, as shown.

(58) **Field of Classification Search**

DESCRIPTION

USPC D7/323, 328–332, 339–349, 390,
D7/402–406; D8/300–306; D23/343,
D23/350

FIG. 1 illustrates a perspective view of an oven employing an ornamental design in accordance with the present invention;

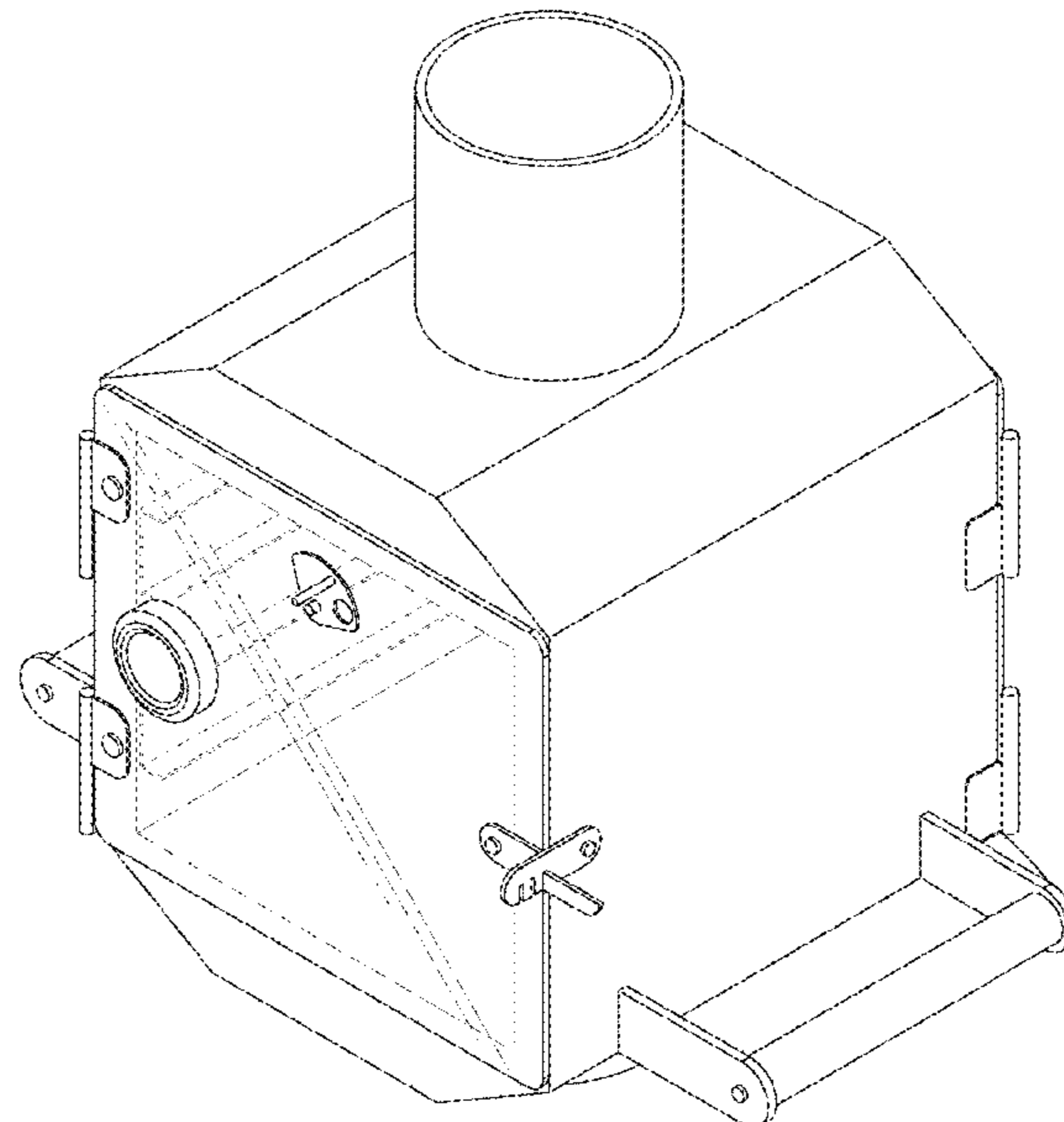
CPC A47J 37/00; A47J 37/06; A47J 37/0611;
A47J 37/0704; A47J 37/0781; A47J
37/08; A47J 37/0807; A47J 37/0814;
A47J 37/0835; A47J 37/0842; A47J
37/085; A47J 37/0864; A47J 37/0878;
A47J 37/0885; A47J 37/0892; F24C 7/00;
F24C 7/002; F24C 7/046; F24C 7/067;
F24C 15/02; F24C 15/04; F24C 15/10;
F24C 15/102; A21B 2/00; F24B 1/22;
F24B 1/182

FIG. 2 is a front view of the oven of FIG. 1;
FIG. 3 is a back view of the oven of FIG. 1;
FIG. 4 is a left side view of the oven of FIG. 1;
FIG. 5 is a right side view of the oven of FIG. 1;
FIG. 6 is a top view of the oven of FIG. 1; and,
FIG. 7 is a bottom view of the oven of FIG. 1.

The broken lines shown in the drawings represent unclaimed portions of the structure and form no part of the claimed design. Furthermore, the interior surfaces that are shown without surface shading form no part of the claimed design.

See application file for complete search history.

1 Claim, 7 Drawing Sheets



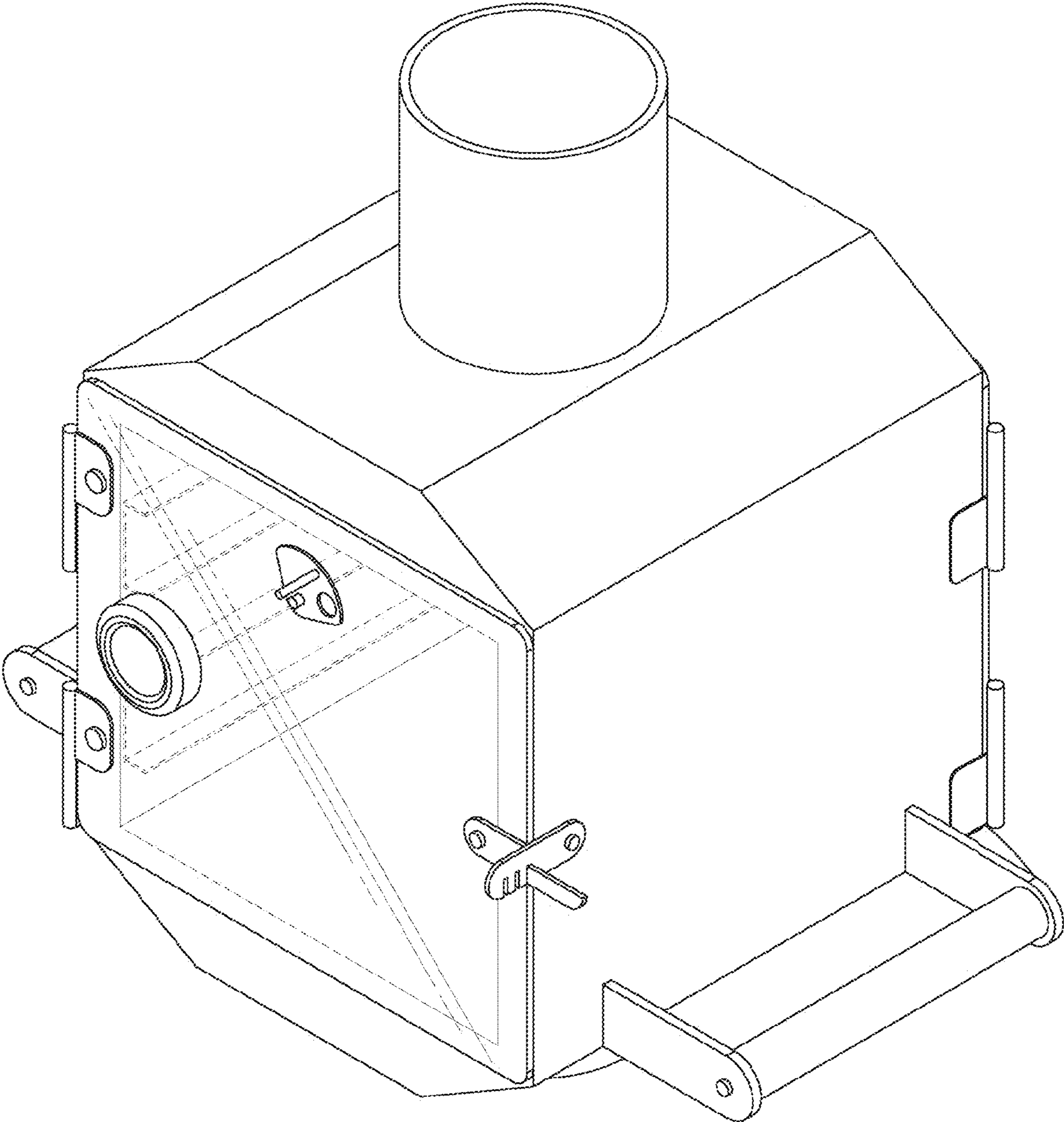


FIGURE 1

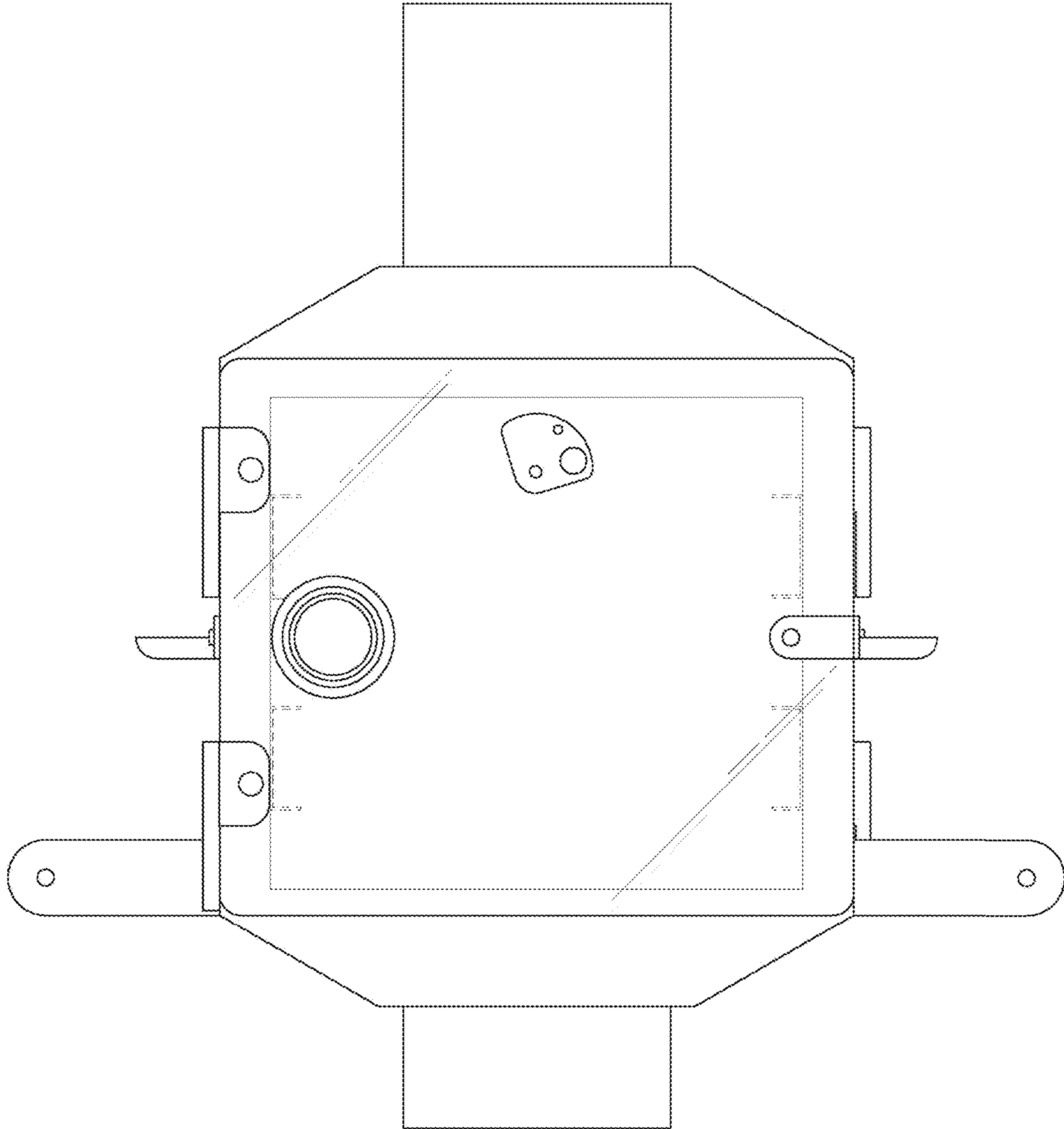


FIGURE 2

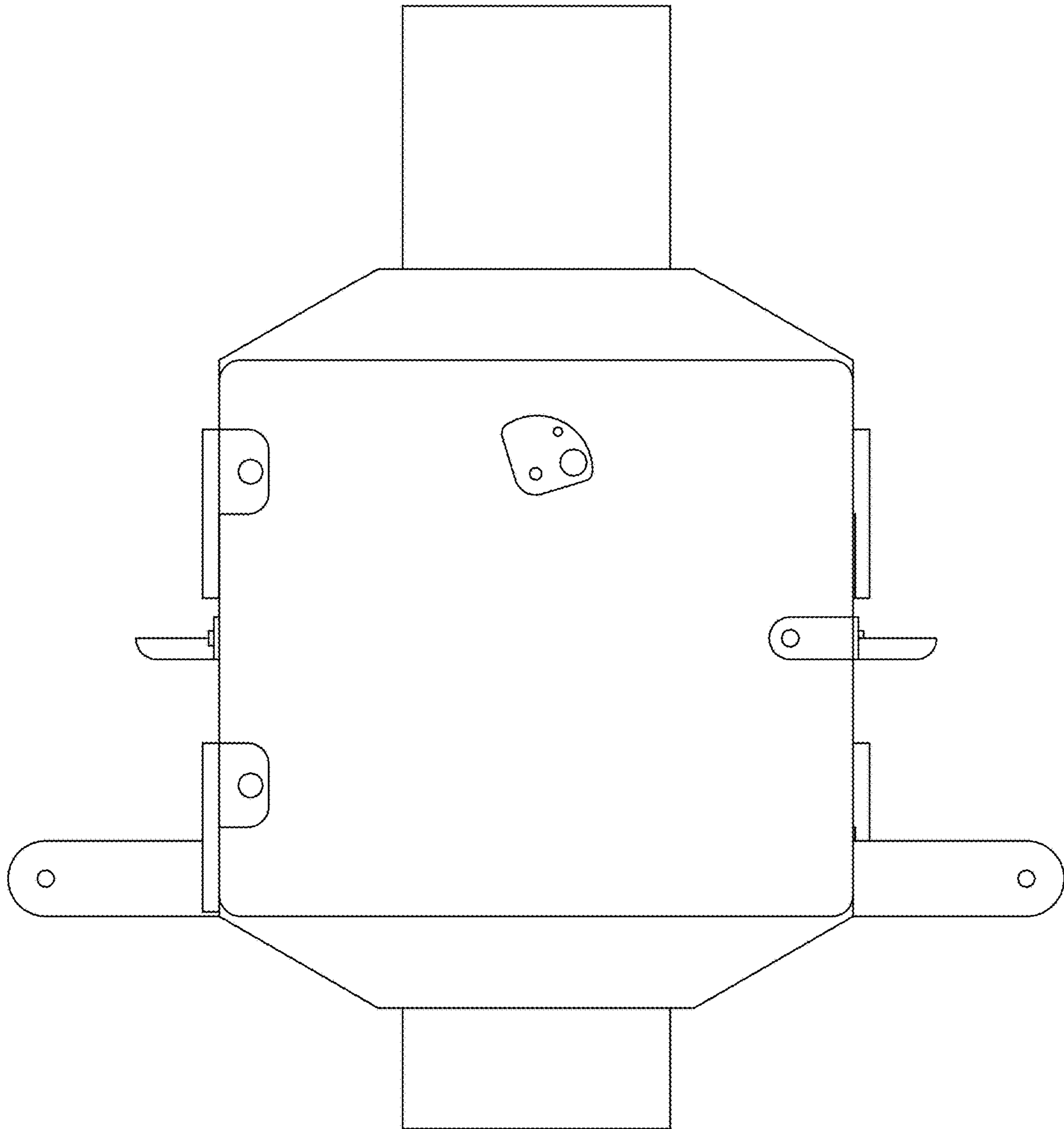


FIGURE 3

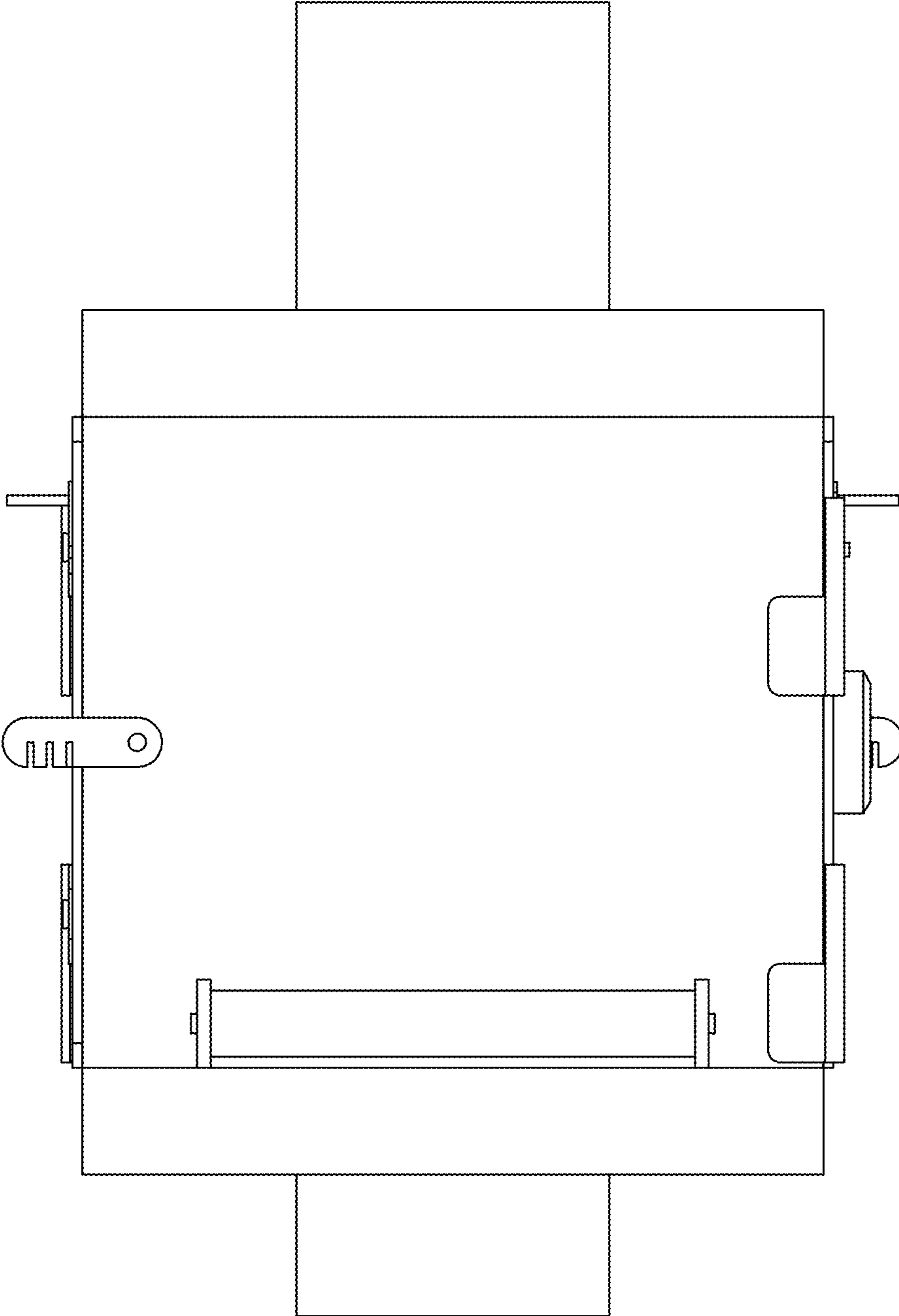


FIGURE 4

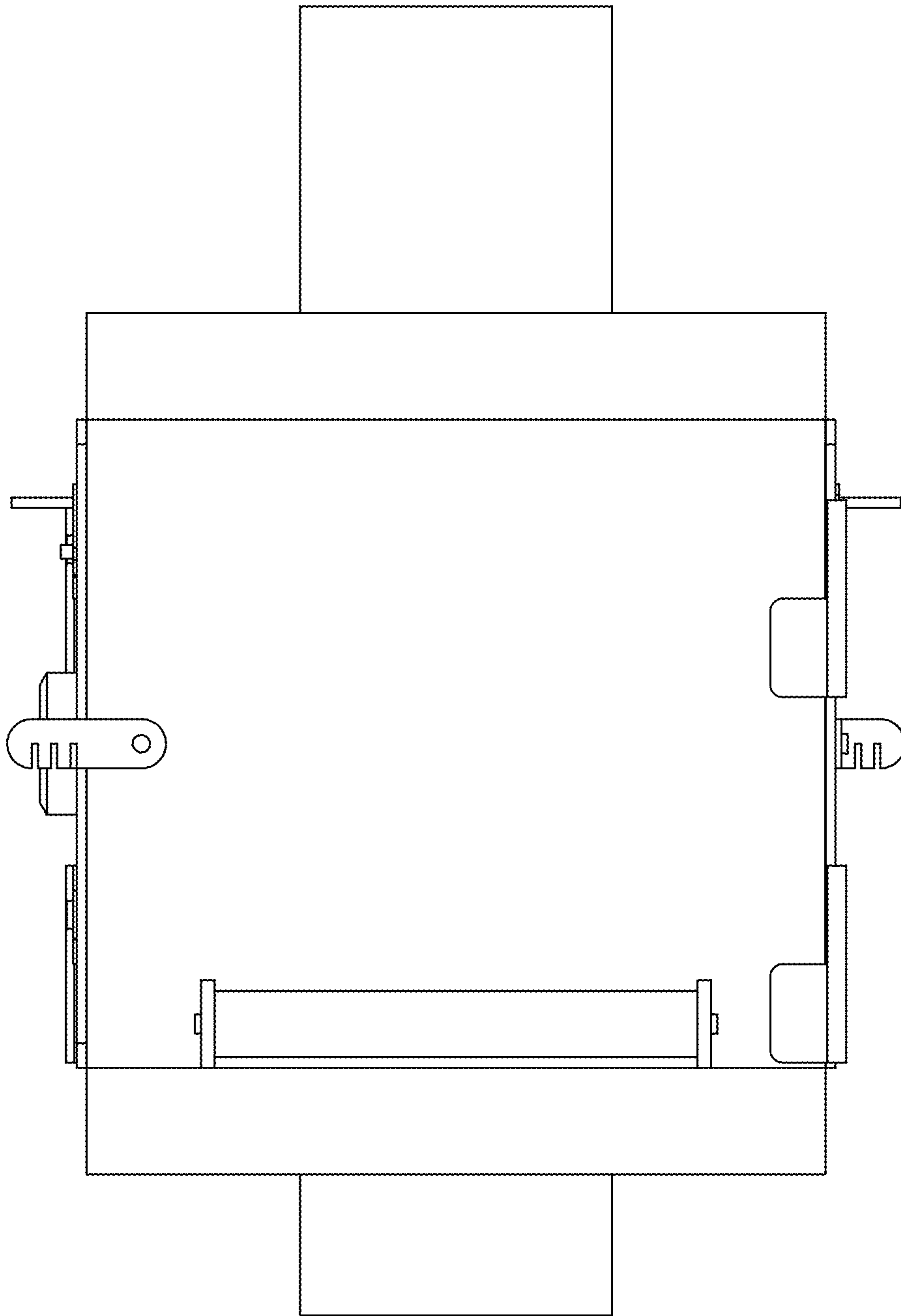


FIGURE 5

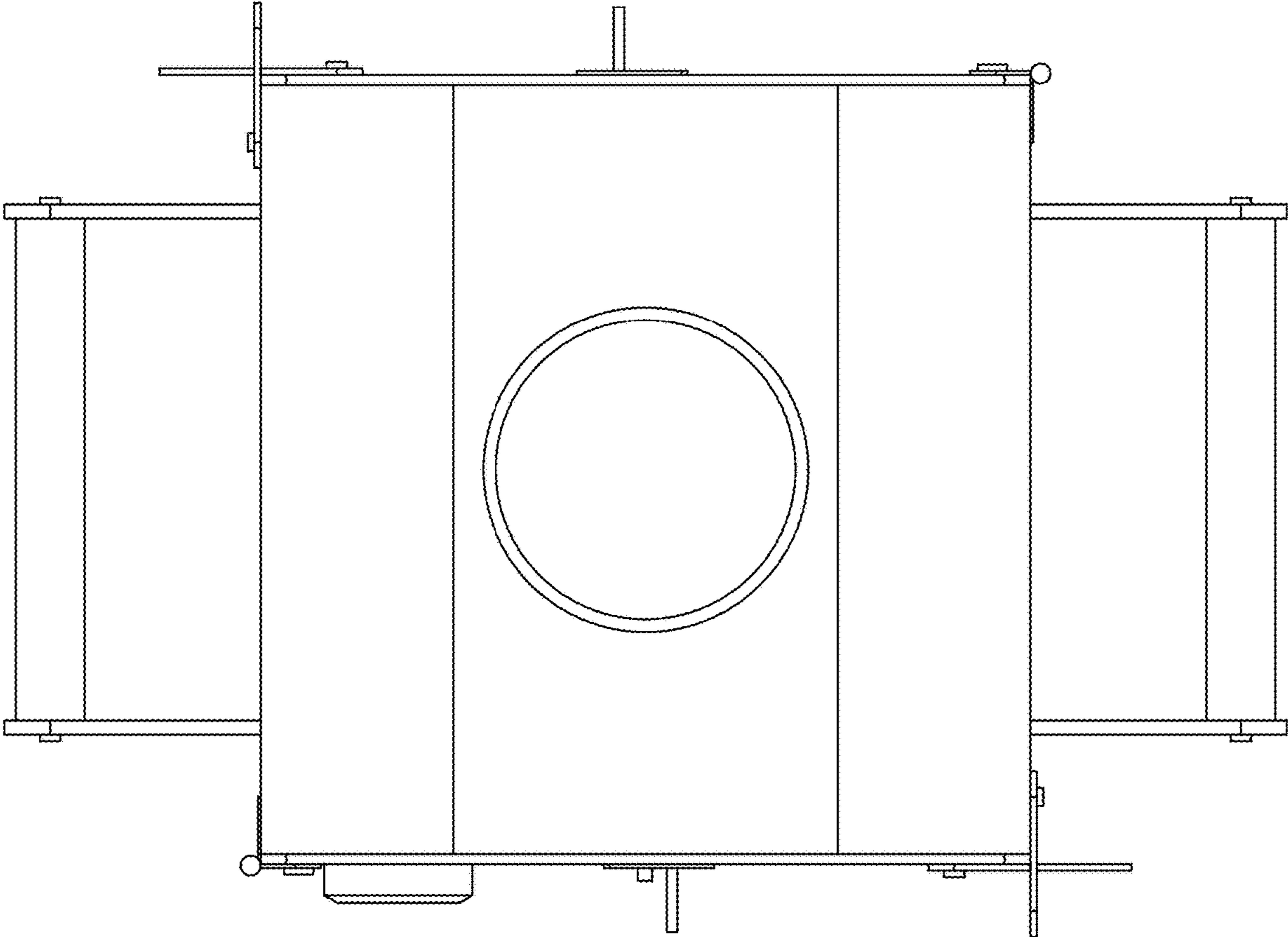


FIGURE 6

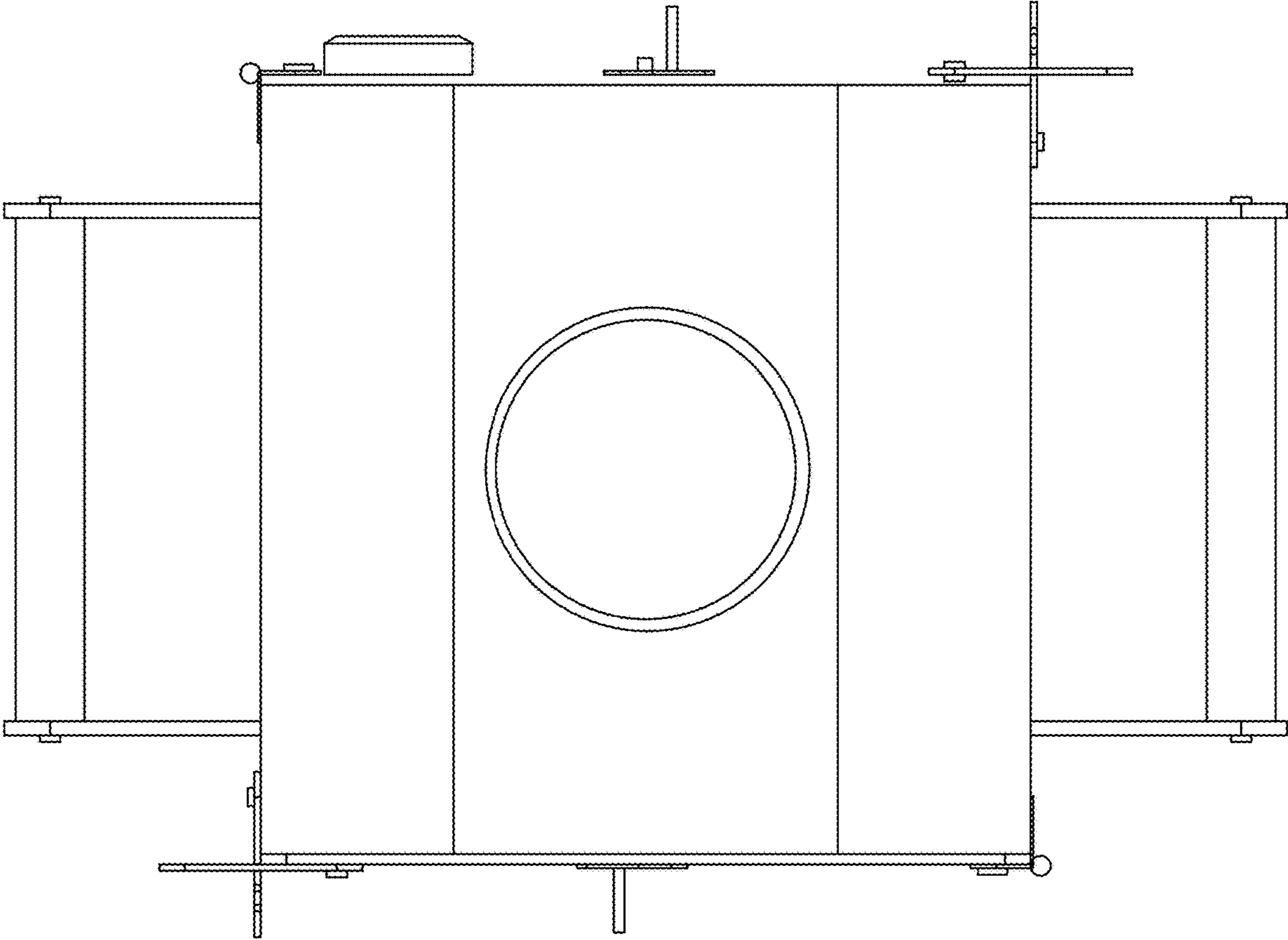


FIGURE 7