



US00D936406S

(12) **United States Design Patent**
Lissoni et al.

(10) **Patent No.:** **US D936,406 S**

(45) **Date of Patent:** **** Nov. 23, 2021**

(54) **COFFEE MACHINE**

(71) Applicant: **Illycaffè S.p.A.**, Trieste (IT)

(72) Inventors: **Piero Lissoni**, Trieste (IT); **Francesco Canesi Lissoni**, Trieste (IT)

(73) Assignee: **ILLYCAFFÈ S.P.A.**, Trieste (IT)

(**) Term: **15 Years**

(21) Appl. No.: **29/718,679**

(22) Filed: **Dec. 27, 2019**

(51) **LOC (13) Cl.** **07-02**

(52) **U.S. Cl.**
USPC **D7/309**

(58) **Field of Classification Search**
USPC D7/300, 304–322, 372–373, 376,
D7/397–401, 415; D20/4, 5; D23/201,
D23/207, 366; D24/216–217, 219, 224;
99/292, 293
CPC A47J 31/00; A47J 31/002; A47J 31/04;
A47J 31/043; A47J 31/057; A47J 31/007;
A47J 31/10; A47J 31/14; A47J 31/40;
A47J 31/407; A47J 31/42; B67D 1/00;
B67D 1/0043

See application file for complete search history.

(56) **References Cited**

U.S. PATENT DOCUMENTS

D181,720 S * 12/1957 Fitzgerald D7/301
D323,631 S * 2/1992 Berg D10/74
D682,599 S * 5/2013 Bolzicco D7/309

D733,481 S * 7/2015 Rousselin D7/306
D817,061 S * 5/2018 Lissoni D7/309
D828,067 S * 9/2018 De'Longhi D7/309
D839,652 S * 2/2019 De' Longhi D7/309

OTHER PUBLICATIONS

Y5 iperEspress Espresso & Coffee Machine, Illy, [online], [site visited Jun. 23, 2021], Available from internet URL: <https://www.illy.com/en-us/eshop/coffee-machines/iperespresso-capsules-coffee-machines/francis-francis-y5-espresso-coffee-machine/coffee-machines-y5-espresso-and-coffee-us-P#60208> (Year: 2021).*

* cited by examiner

Primary Examiner — Mary Ann Calabrese

Assistant Examiner — Natalya M Rapundalo

(74) *Attorney, Agent, or Firm* — Panitch Schwarze
Belisario & Nadel LLP

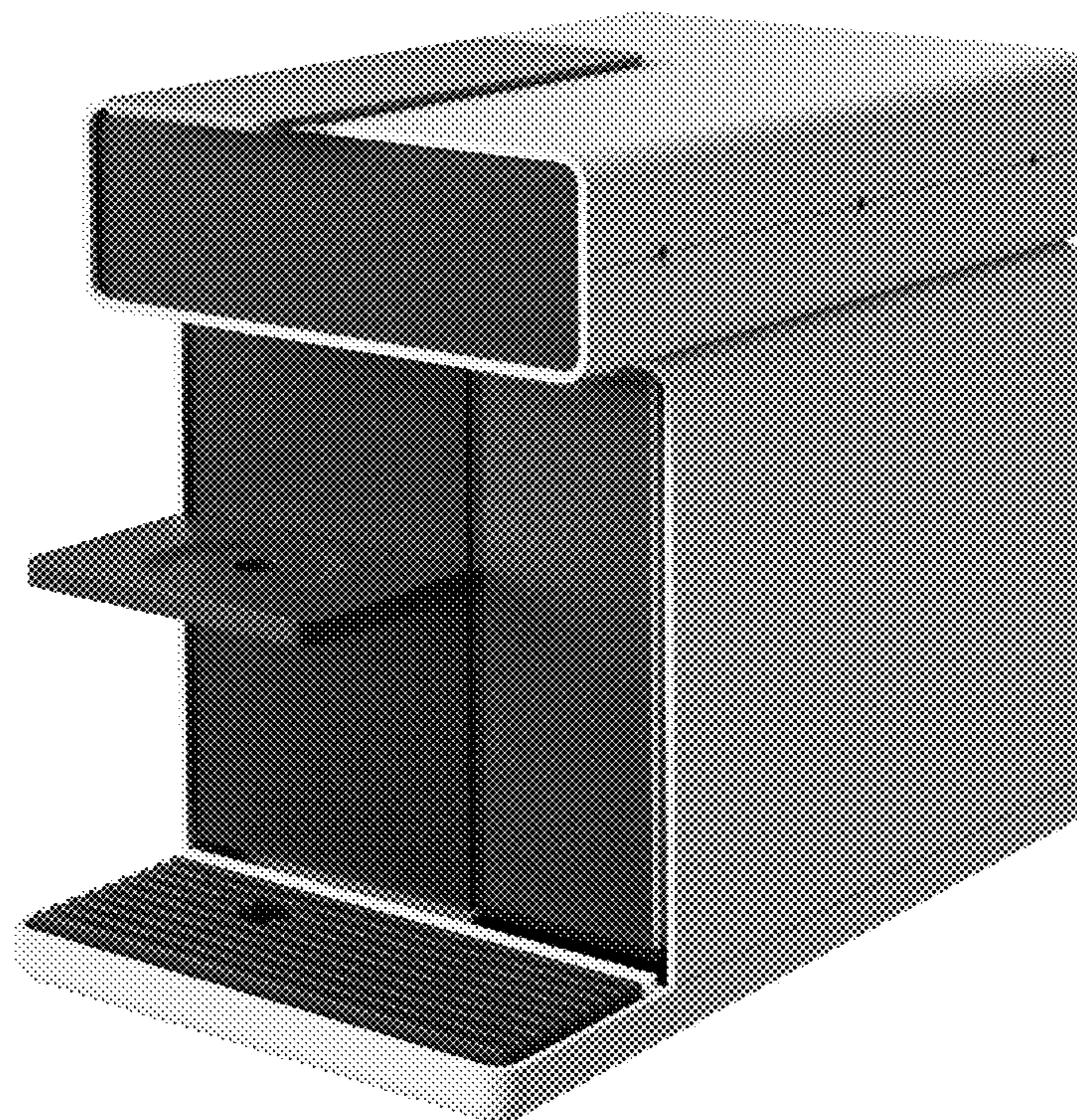
(57) **CLAIM**

The ornamental design for a coffee machine, as shown and described.

DESCRIPTION

FIG. 1 is a front, top and right-side perspective view of a coffee machine in accordance with our new design; FIG. 2 is a front elevational view thereof; FIG. 3 is a rear elevational view thereof; FIG. 4 is a top plan view thereof; FIG. 5 is a bottom plan view thereof; FIG. 6 is a left-side elevational view thereof; and, FIG. 7 is a right-side elevational view thereof.

1 Claim, 7 Drawing Sheets



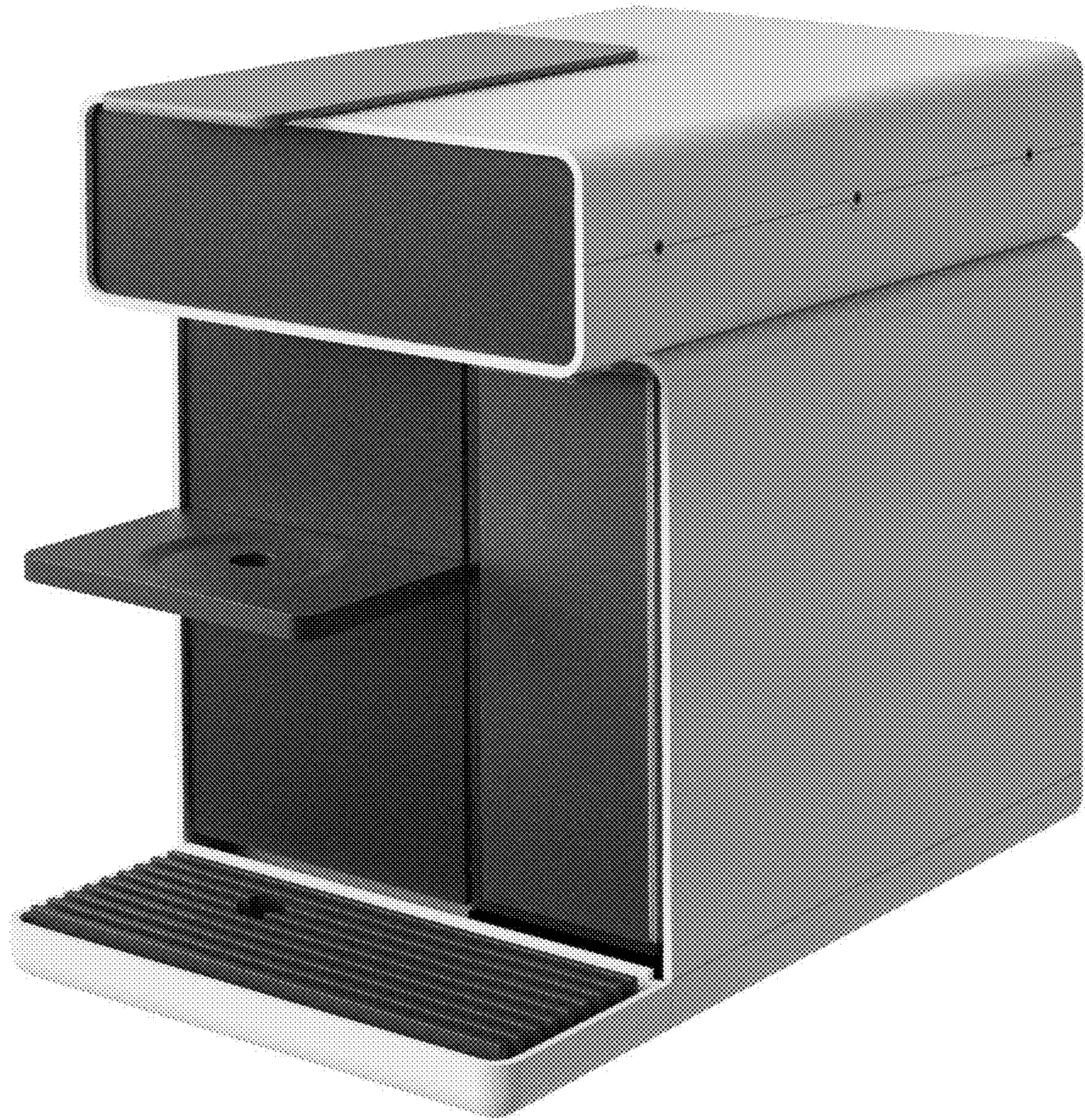


Fig. 1



Fig. 2

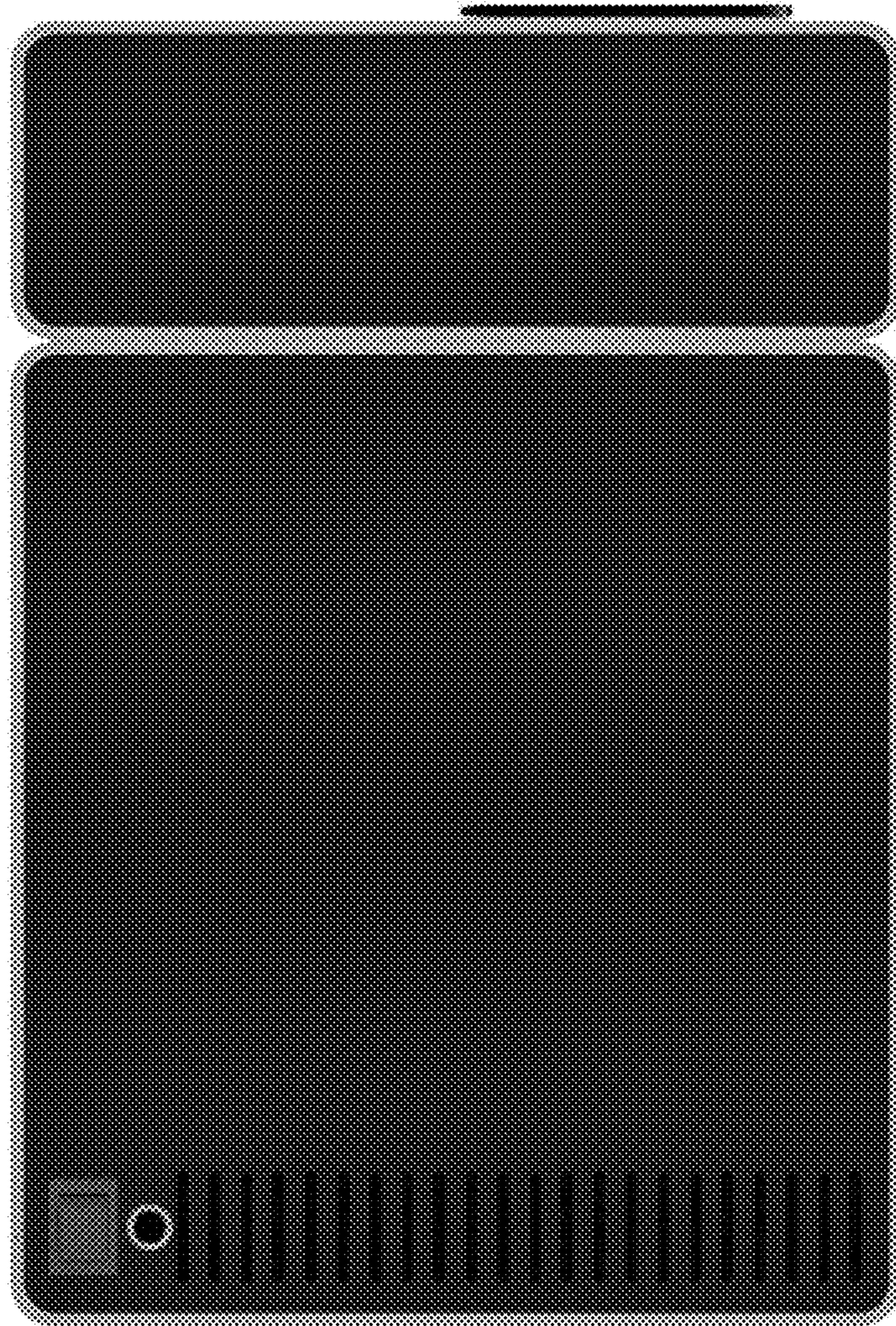


Fig. 3

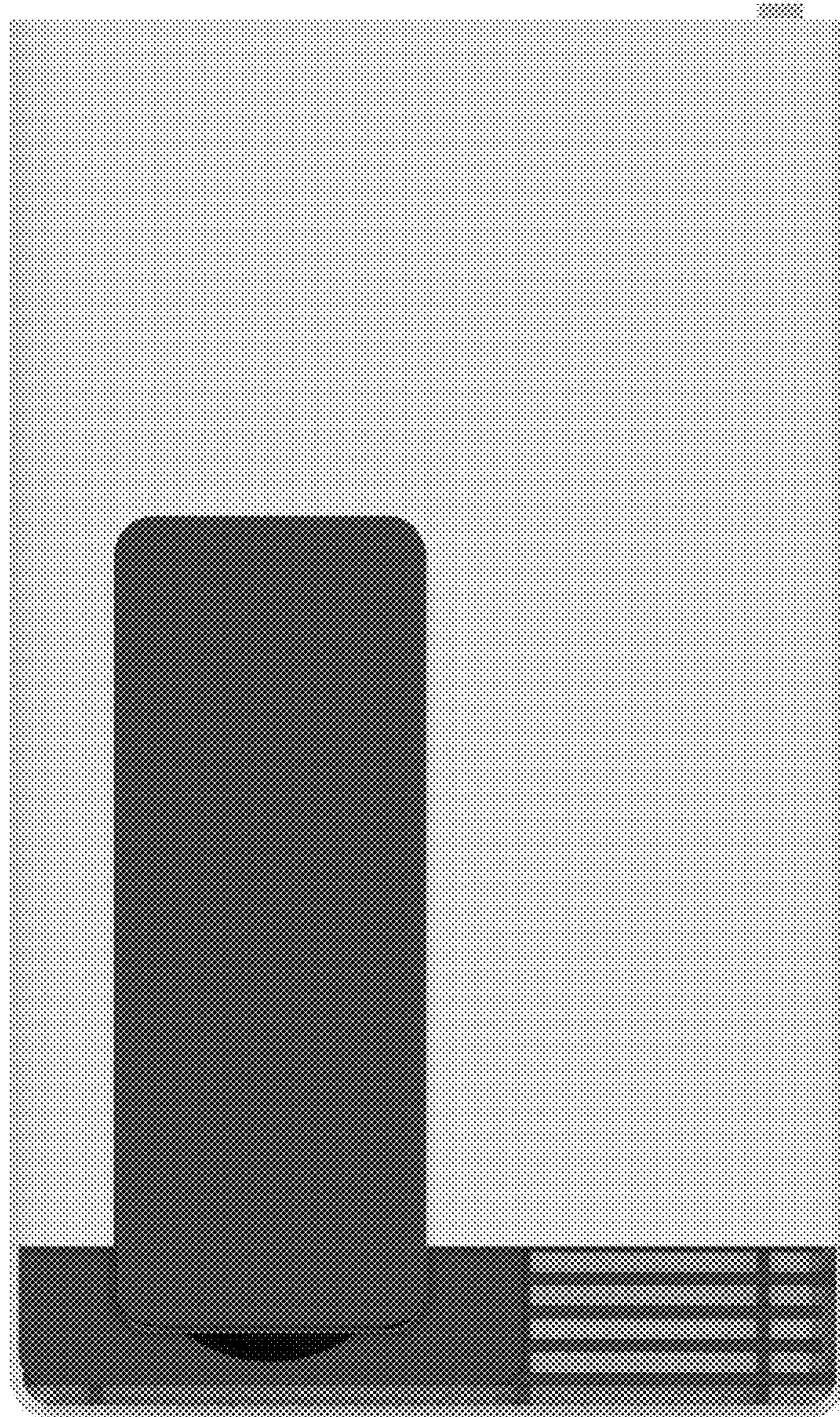


Fig. 4

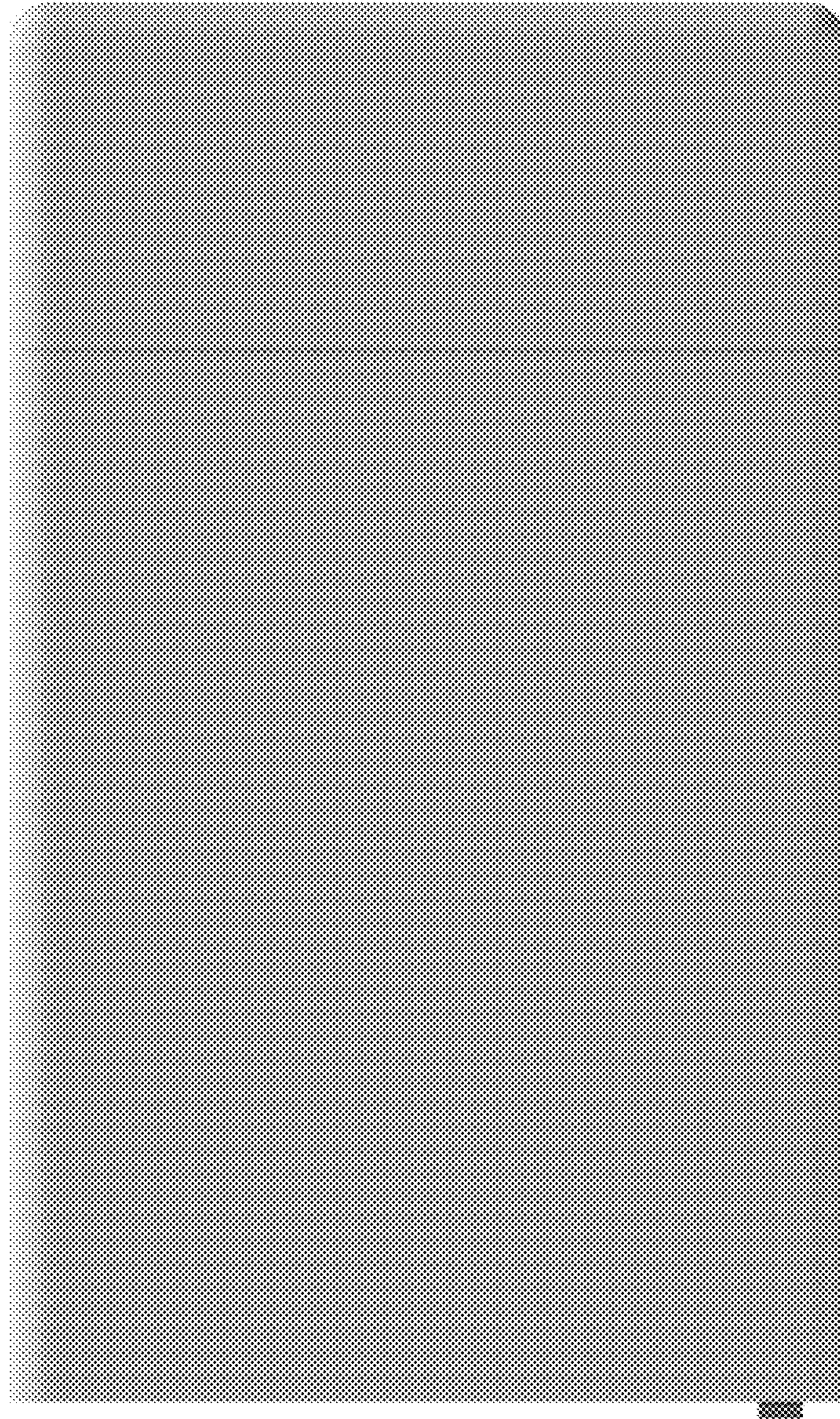


Fig. 5

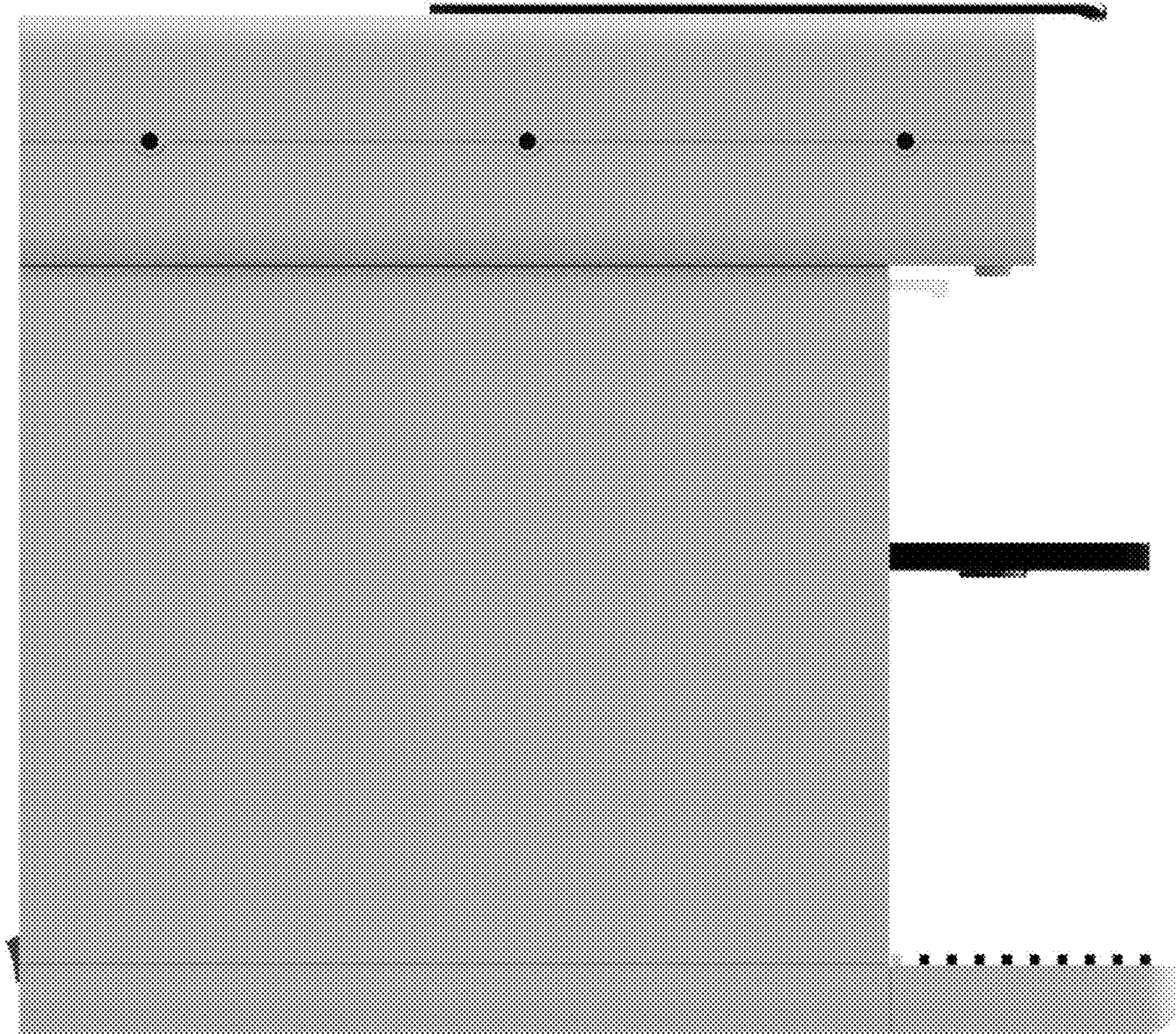


Fig. 6

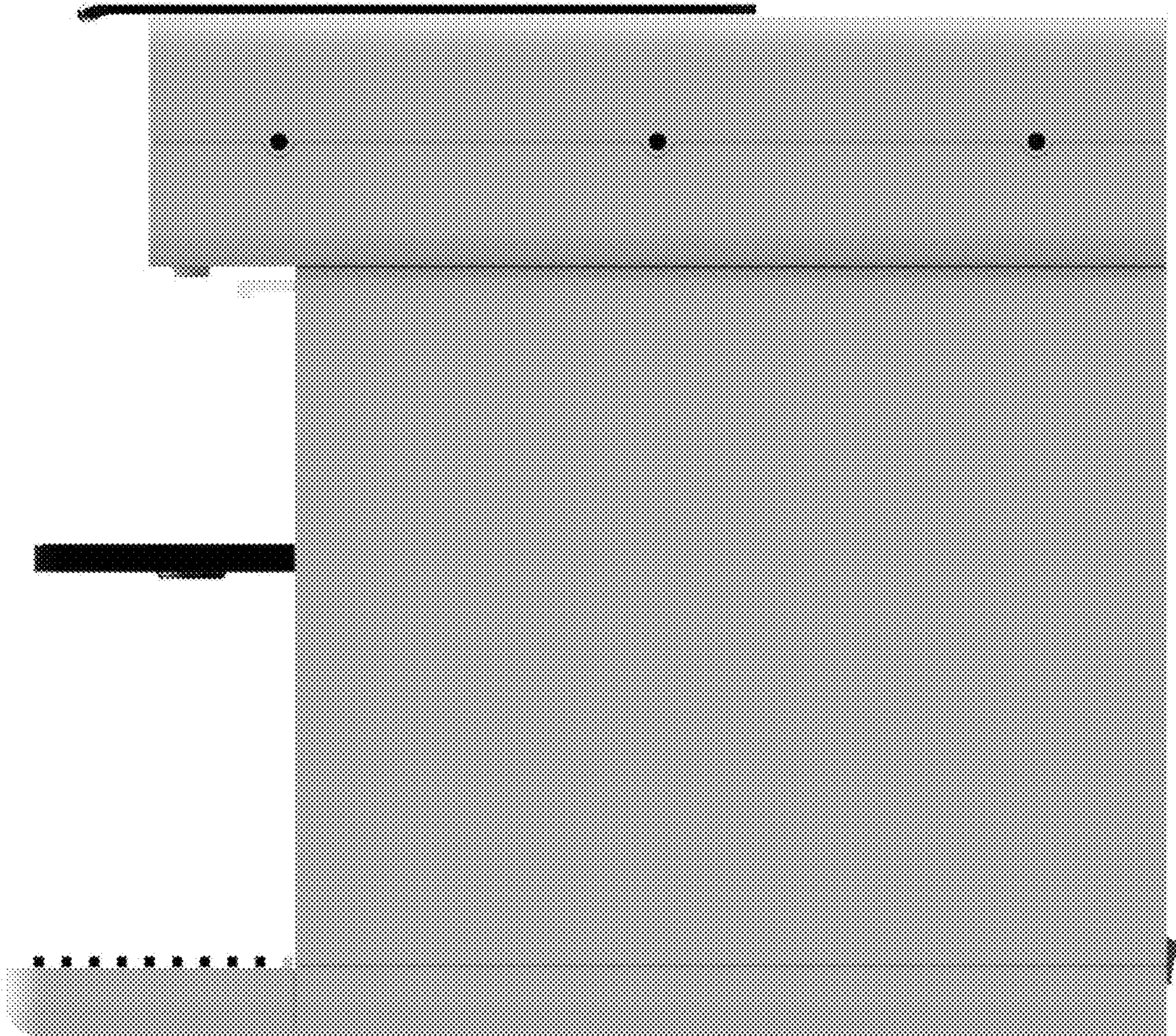


Fig. 7