



US00D936404S

(12) **United States Design Patent**
Wang et al.

(10) **Patent No.:** **US D936,404 S**

(45) **Date of Patent:** **** Nov. 23, 2021**

(54) **CHAIR**

(71) Applicant: **Henglin Home Furnishings Co., Ltd.**,
Zhejiang (CN)

(72) Inventors: **Jianglin Wang**, Zhejiang (CN);
Zhengxing Wang, Zhejiang (CN); **Jie**
Chen, Zhejiang (CN); **Wenbin Dai**,
Zhejiang (CN)

(73) Assignee: **Henglin Home Furnishings Co., Ltd.**,
Zhejiang (CN)

(**) Term: **15 Years**

(21) Appl. No.: **29/738,050**

(22) Filed: **Jun. 15, 2020**

(30) **Foreign Application Priority Data**

May 20, 2020 (CN) 202030235540.4

(51) **LOC (13) Cl.** **06-01**

(52) **U.S. Cl.**
USPC **D6/716**

(58) **Field of Classification Search**

USPC D6/334, 356, 361, 366, 367, 374, 375,
D6/378, 380, 381, 716, 716.1, 716.4
CPC A47C 3/0257; A47C 3/16; A47C 3/18;
A47C 3/20; A47C 3/26; A47C 1/02;
A47C 1/03255; A47C 7/18; A47C 7/24;
A47C 7/29; A47C 7/36; A47C 7/38;
A47C 7/40; A47C 7/46; A47C 7/54;
A47C 7/282; A47C 11/00

See application file for complete search history.

(56) **References Cited**

U.S. PATENT DOCUMENTS

D277,525	S	*	2/1985	Buhk	D6/366
D550,975	S	*	9/2007	Meda	D6/366
D557,913	S	*	12/2007	Ong	D6/366
D688,497	S	*	8/2013	Smith	D6/716
D802,953	S	*	11/2017	Meda	D6/366
D834,844	S	*	12/2018	Chan	D6/366
D846,294	S	*	4/2019	Peterson	D6/366
D876,139	S	*	2/2020	Peterson	D6/716
D876,140	S	*	2/2020	Peterson	D6/716
D915,783	S	*	4/2021	Tong	D6/366
2014/0077548	A1	*	3/2014	Peterson	A47C 7/02 297/284.4

* cited by examiner

Primary Examiner — R. Johnson

(74) *Attorney, Agent, or Firm* — JCIP Global Inc.

(57) **CLAIM**

The ornamental design for a chair, as shown and described.

DESCRIPTION

FIG. 1 is a perspective view of a chair showing our new design;

FIG. 2 is a front view thereof;

FIG. 3 is a rear view thereof;

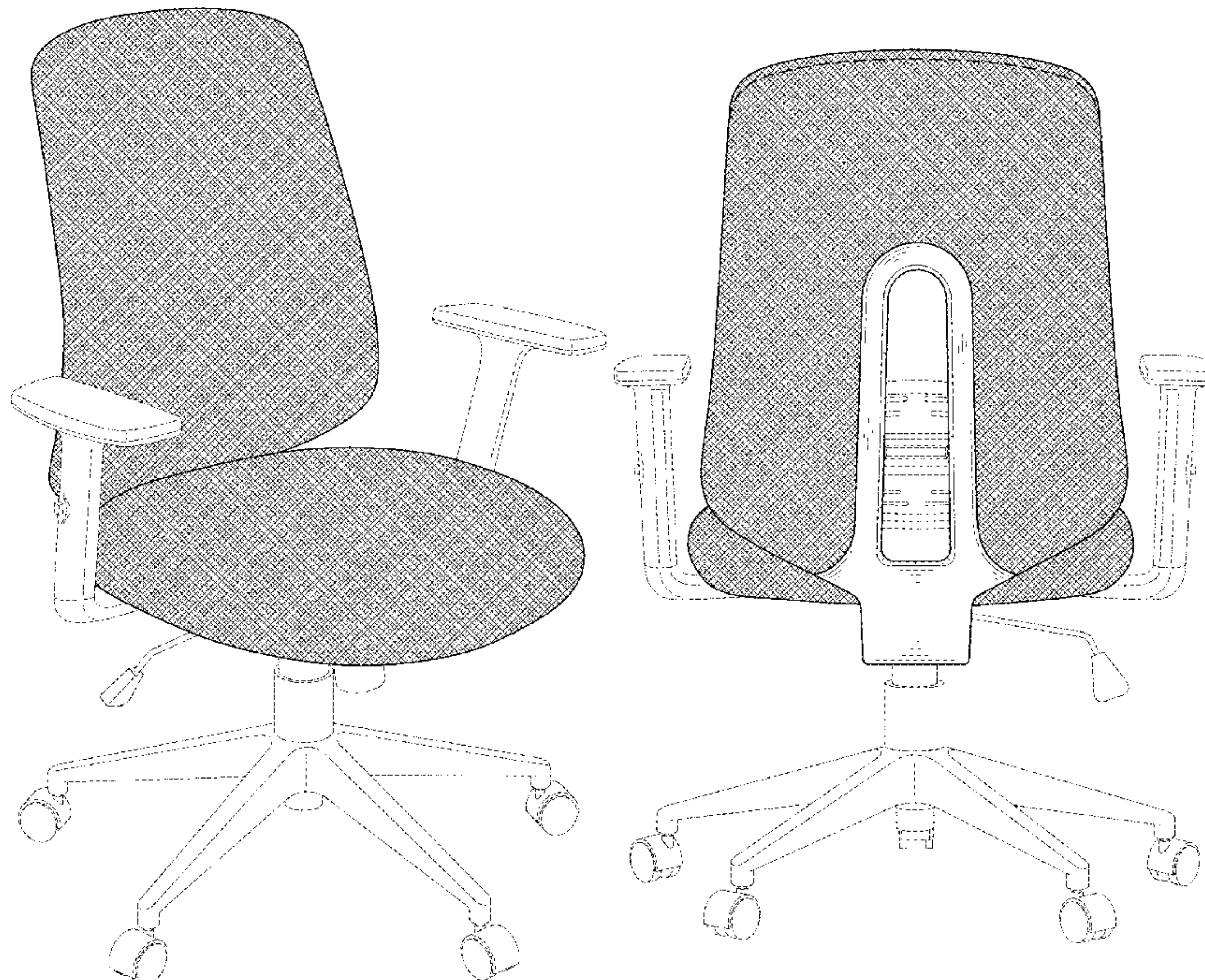
FIG. 4 is a left side view thereof;

FIG. 5 is a right side view thereof; and,

FIG. 6 is a top view thereof.

A bottom view thereof is omitted since it does not contain ornamental features. The heavy broken line showing of stitch lines in FIGS. 3-5 forms portions of the claimed design, while the light broken line showing of portions of the chair in FIGS. 1-6 forms no part of the claimed design.

1 Claim, 6 Drawing Sheets



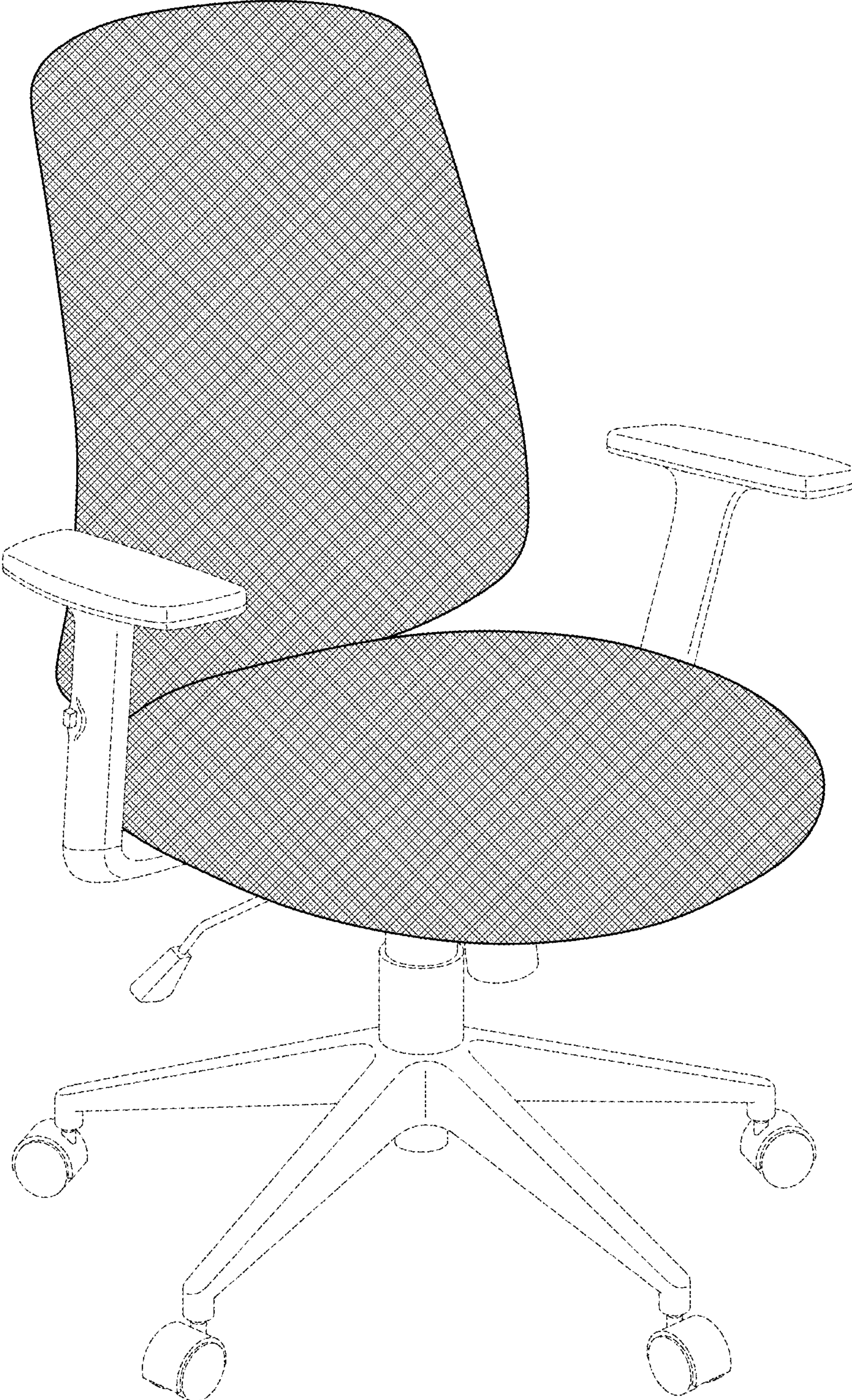


FIG. 1

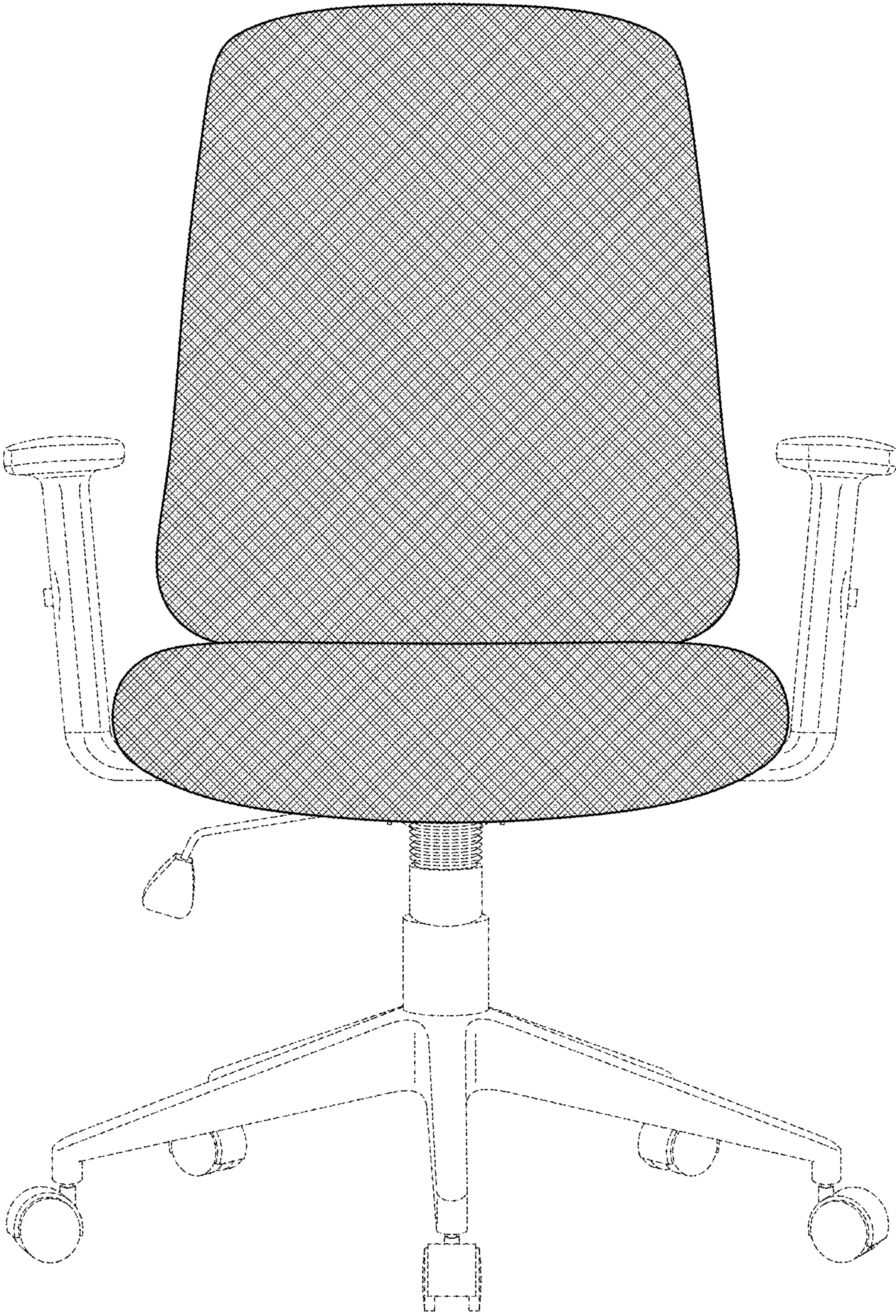


FIG. 2

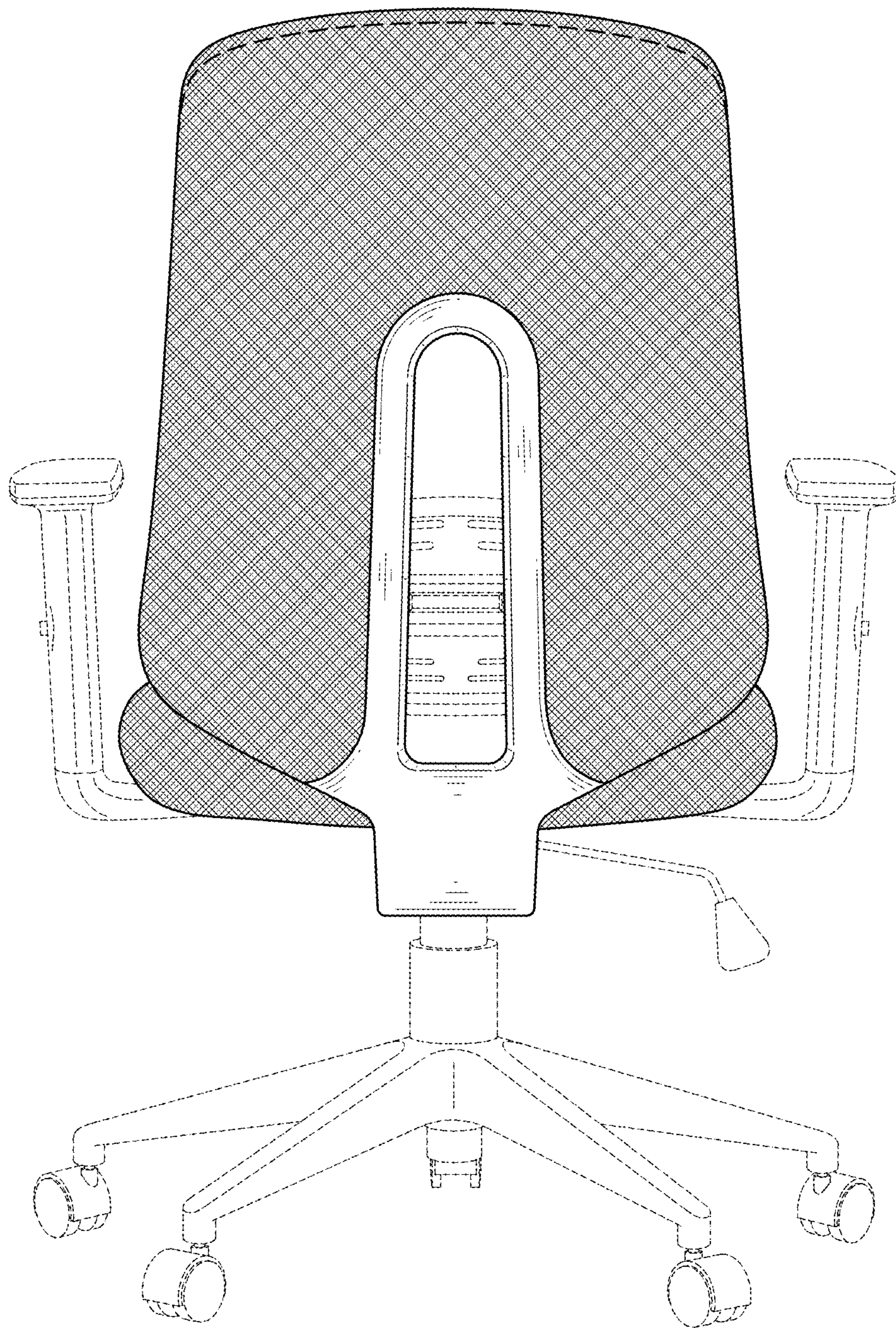


FIG. 3

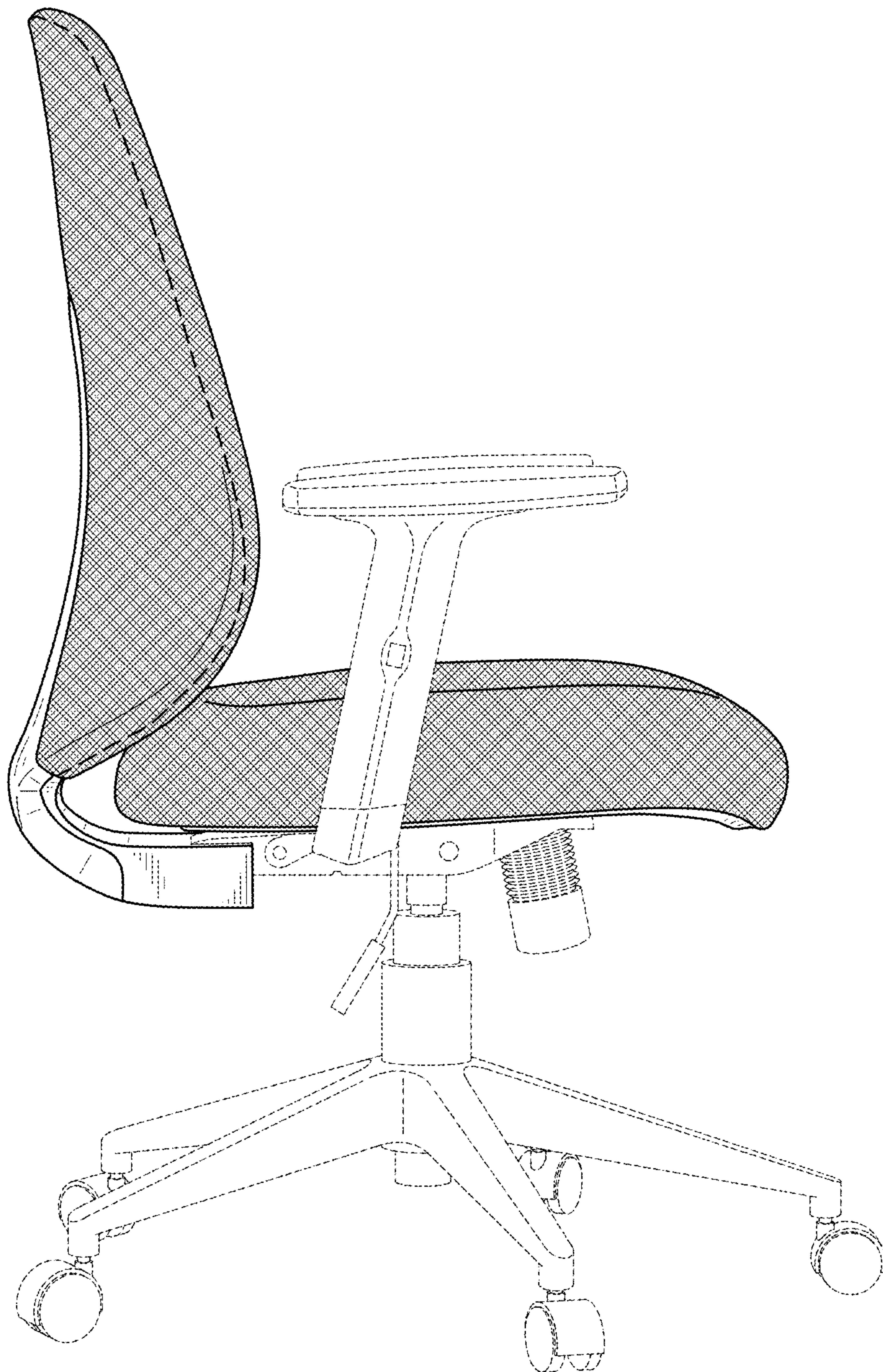


FIG. 4

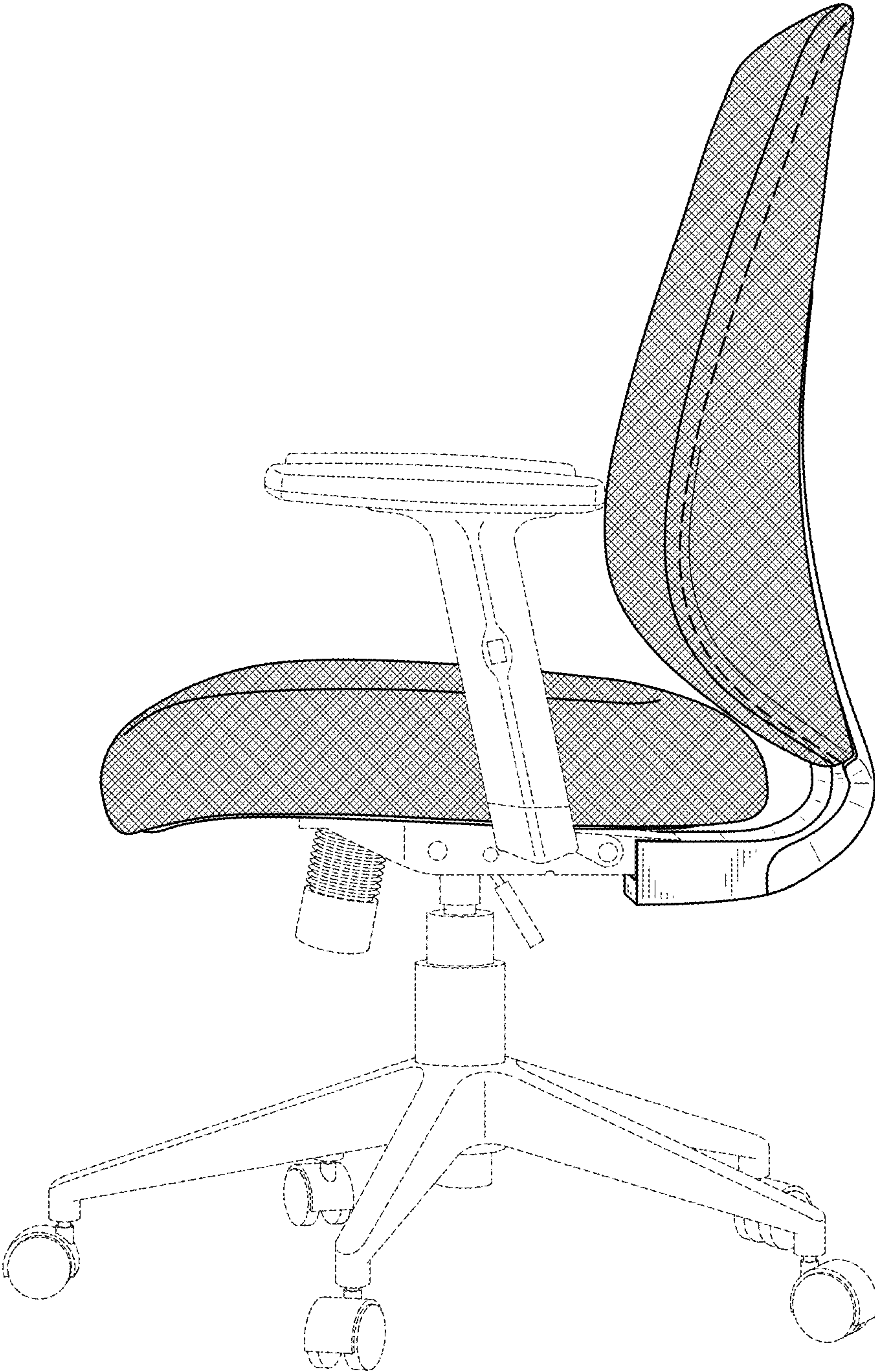


FIG. 5

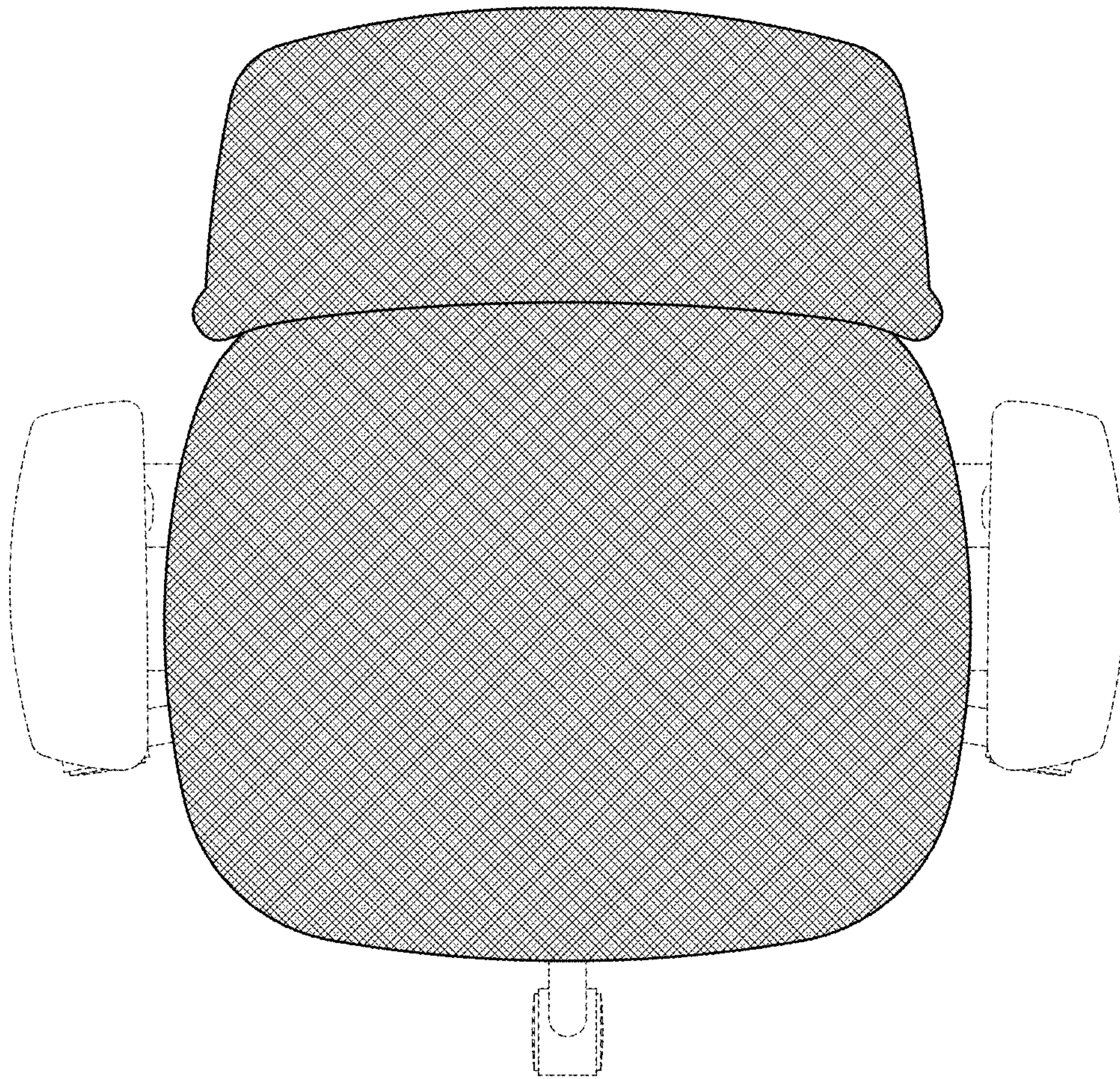


FIG. 6