



US00D936400S

(12) **United States Design Patent** (10) **Patent No.:** **US D936,400 S**
Hannigan (45) **Date of Patent:** **** Nov. 23, 2021**

(54) **FIVE RIB STORAGE SHELF**
(71) Applicant: **ELITE MEDICAL EQUIPMENT & SERVICES LLC**, Danvers, MA (US)
(72) Inventor: **Charles Hannigan**, Danvers, MA (US)
(**) Term: **15 Years**
(21) Appl. No.: **29/745,638**
(22) Filed: **Aug. 7, 2020**
(51) **LOC (13) Cl.** **06-06**
(52) **U.S. Cl.**
USPC **D6/675.2**
(58) **Field of Classification Search**
USPC D6/672, 675, 675.1, 675.2, 705, 705.6, D6/707; D3/304, 315, 317; D24/127-128, 227-228
CPC A47F 1/00; A47F 5/00; A47F 5/10; A47F 5/0056; A47B 57/00; A47B 47/02; A47B 47/021; A47B 55/00; A47B 55/02; F16M 13/00; F16M 13/02
See application file for complete search history.

5,836,461 A * 11/1998 Kokenge A47B 96/02 211/153
D425,754 S * 5/2000 Matteson 126/337 R
D427,466 S * 7/2000 Remmers D6/705.6
D427,487 S * 7/2000 Holbrook D7/409
D427,824 S * 7/2000 Osburn D6/705.6
D489,205 S * 5/2004 Droppers D6/705.6
D509,405 S * 9/2005 Shin D7/409
D526,519 S * 8/2006 Nawrocki D6/566
D551,884 S * 10/2007 Remmers D6/705.6
D650,226 S * 12/2011 Walker D7/409
D713,188 S * 9/2014 Gokhale D6/705.6
D758,772 S * 6/2016 Coretti, Jr. D6/705.6
D893,221 S * 8/2020 Lim D6/675.2
2003/0146177 A1* 8/2003 Miller, Jr. A47F 1/12 211/59.2

* cited by examiner

Primary Examiner — Kelley A Donnelly
(74) *Attorney, Agent, or Firm* — Daniel N. Smith

(57) **CLAIM**

The ornamental design for a five rib storage shelf, as shown and described.

DESCRIPTION

FIG. 1 is a top, isometric view of a five rib storage shelf showing my new design;
FIG. 2 is a top view thereof;
FIG. 3 is a bottom view thereof;
FIG. 4 is a left-side view thereof;
FIG. 5 is a right-side view thereof;
FIG. 6 is a front view thereof; and,
FIG. 7 is a rear view thereof.

1 Claim, 7 Drawing Sheets

(56) **References Cited**
U.S. PATENT DOCUMENTS
2,057,429 A * 10/1936 Heim F25D 25/02 211/153
D312,175 S * 11/1990 Kelley D19/91
D352,195 S * 11/1994 Rogers D6/705.6
5,507,398 A * 4/1996 Miller F24C 15/16 211/153
D394,179 S * 5/1998 Panossian D6/566
D398,179 S * 9/1998 Cutsinger D6/566

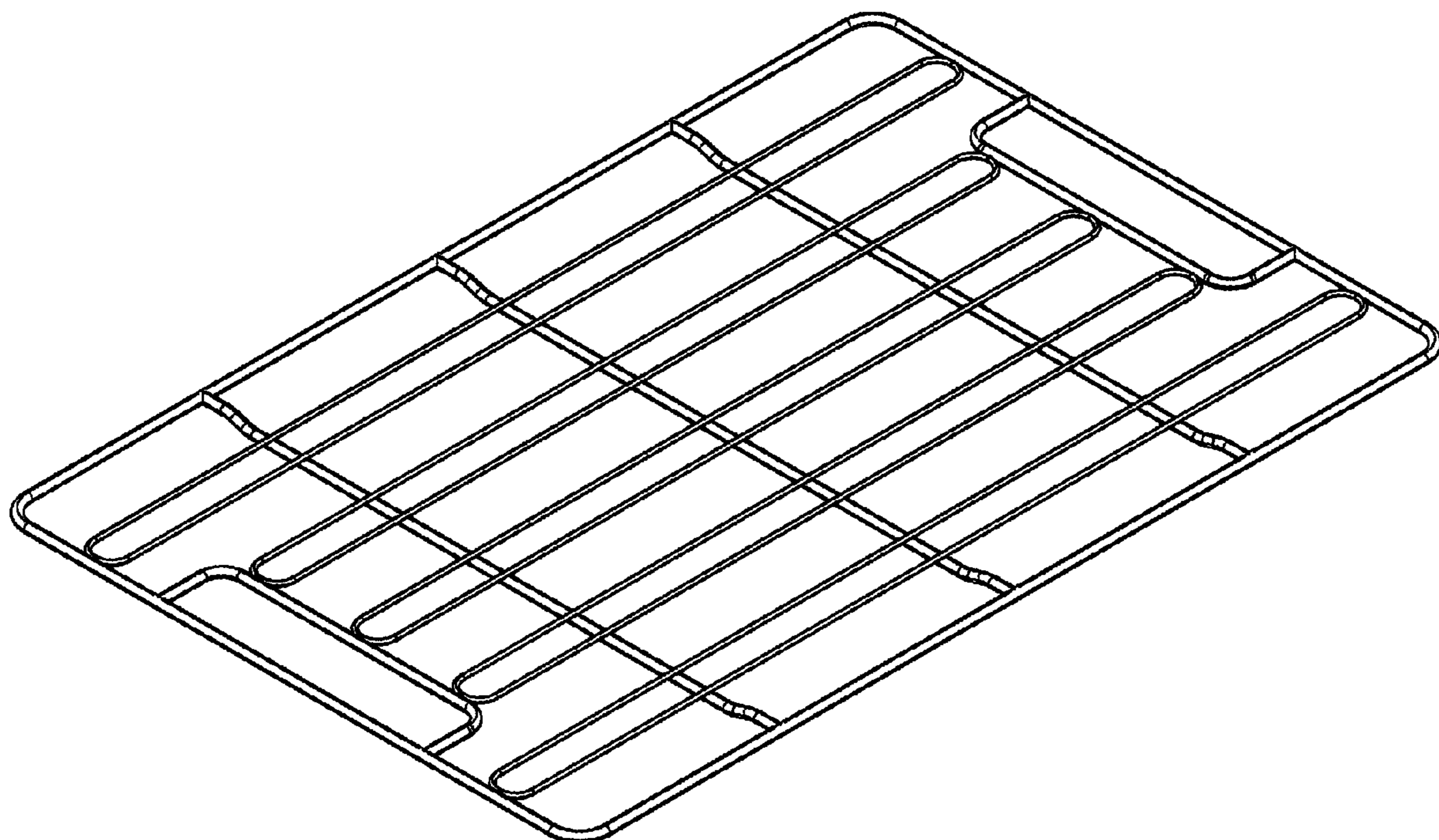


FIG. 1

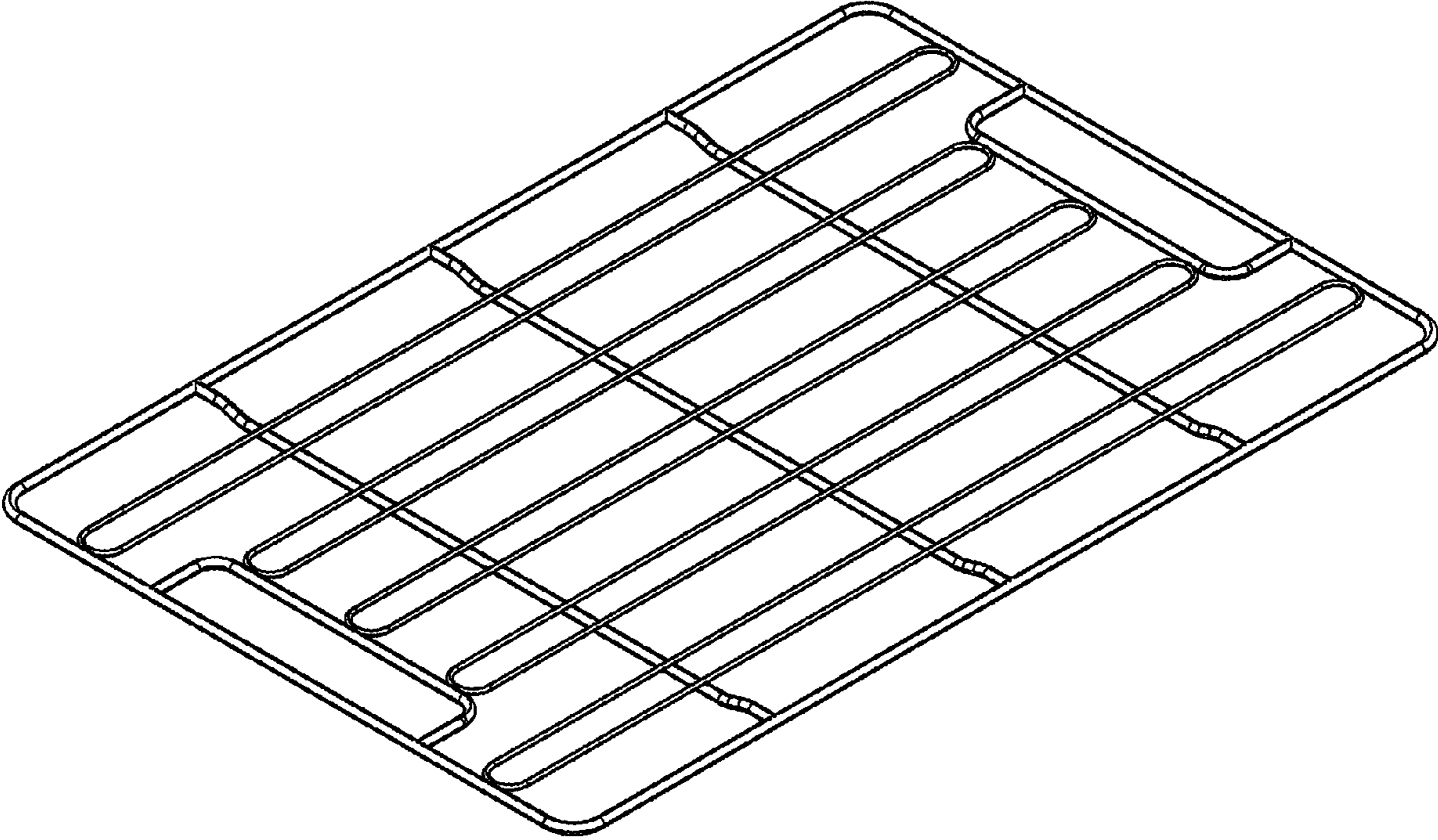


FIG. 2

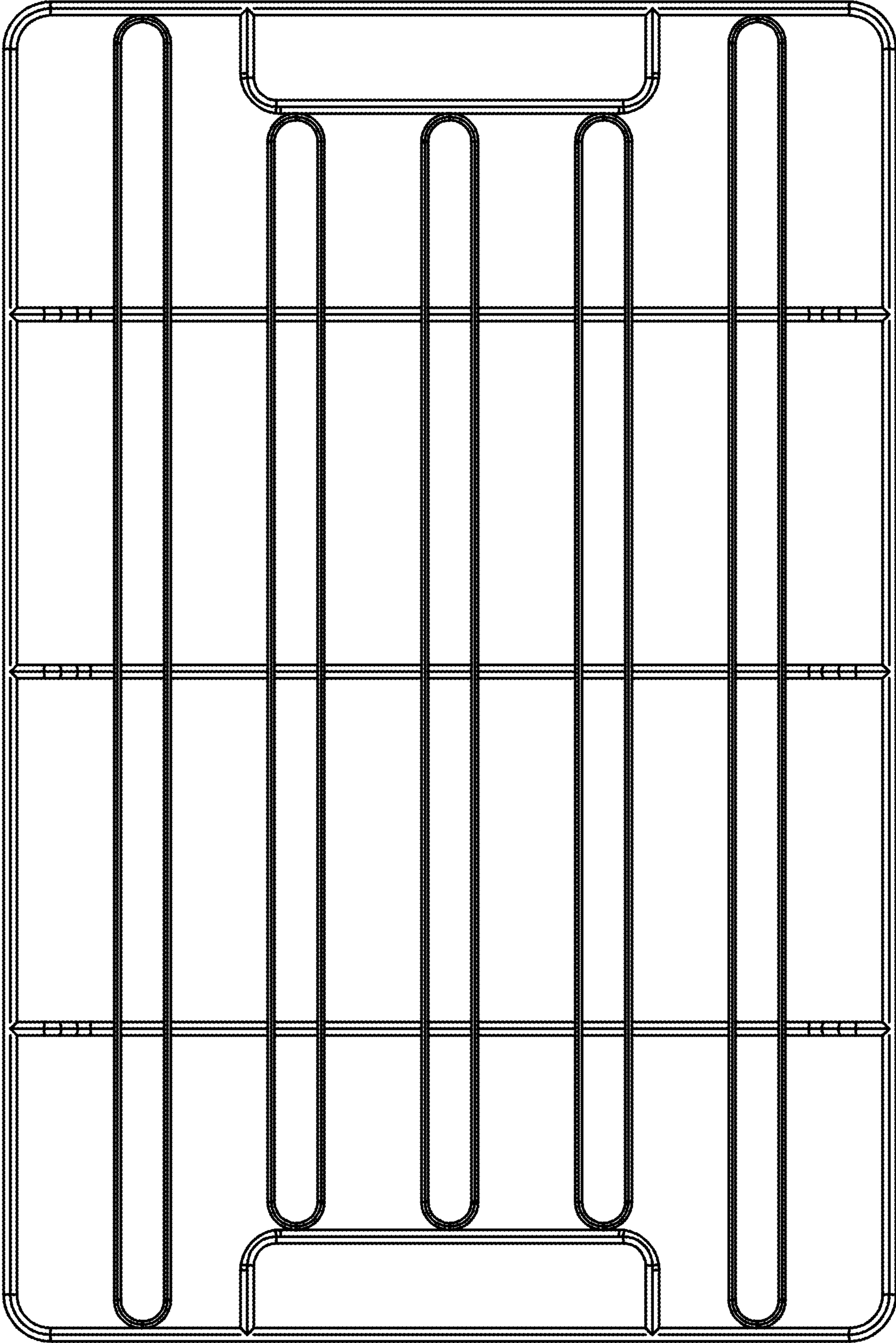


FIG. 3

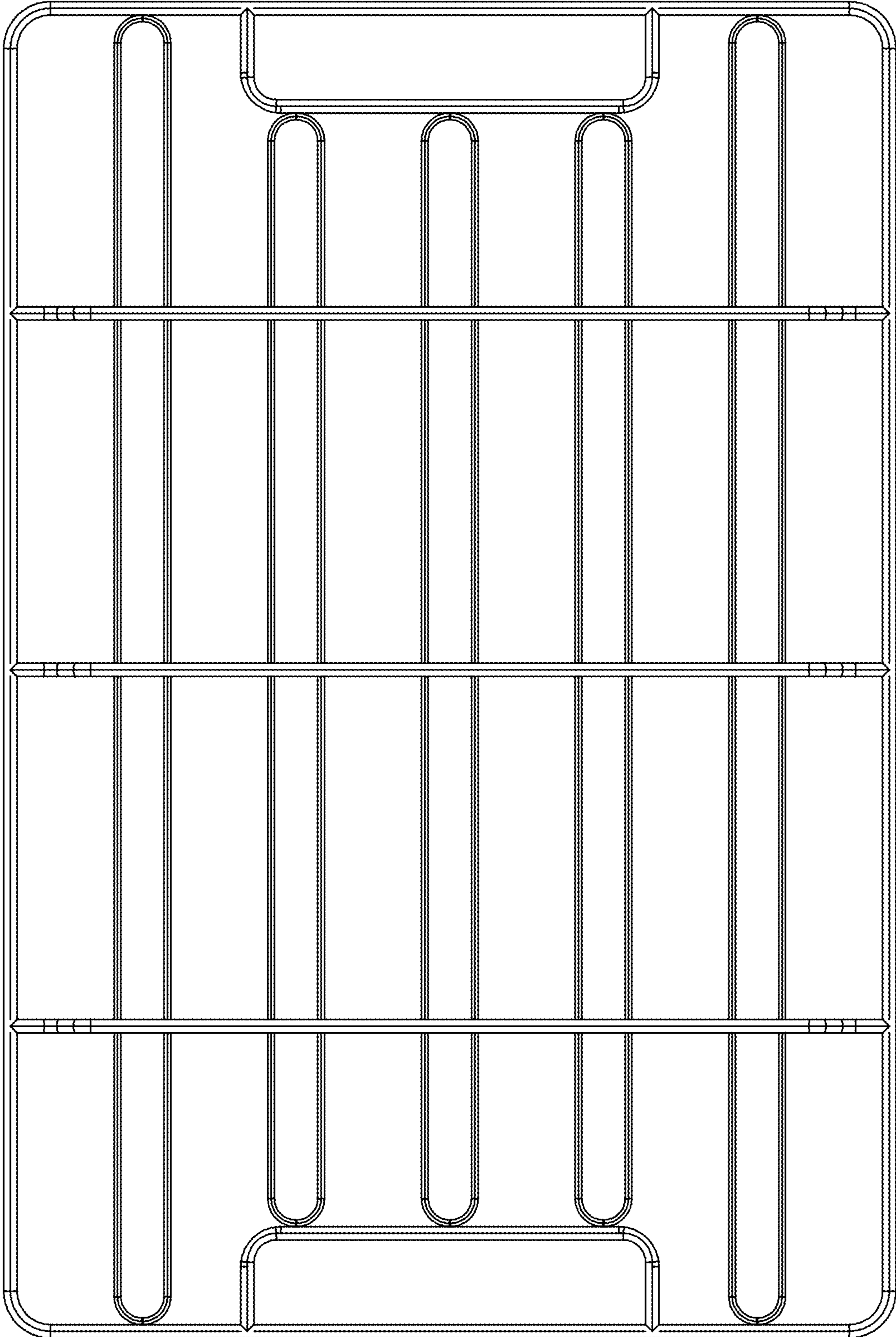


FIG. 4



FIG. 5



FIG. 6



FIG. 7

