



US00D936399S

(12) **United States Design Patent** (10) **Patent No.:** **US D936,399 S**
Packer et al. (45) **Date of Patent:** **** Nov. 23, 2021**

(54) **DRESSER**

(71) Applicant: **WALKER EDISON FURNITURE COMPANY LLC**, Salt Lake City, UT (US)

(72) Inventors: **Richard Packer**, Kaysville, UT (US);
Alexa Naylor, South Jordan, UT (US)

(73) Assignee: **Walker Edison Furniture Company LLC**, West Jordan, UT (US)

(**) Term: **15 Years**

(21) Appl. No.: **29/743,596**

(22) Filed: **Jul. 22, 2020**

(51) **LOC (13) Cl.** **06-04**

(52) **U.S. Cl.**
USPC **D6/671.1**

(58) **Field of Classification Search**
USPC D6/657, 664.1, 666, 668.2, 669, 671, D6/671.1, 675, 675.1, 675.3, 702, 663, D6/660, 661, 668.1, 672; D15/79, 81, D15/85, 88; D20/1, 4, 5; D23/286; D99/28

CPC A47F 9/00; A47B 43/00; A47B 87/002; A47B 67/04; A47B 88/04; A47B 45/00; E04H 1/00; E04H 1/1205; E04H 1/005; E04H 1/12; E04H 1/1283; D06F 57/10; E04B 1/34321; E04B 1/34331; E04B 1/3483; E04B 1/34807; E04B 1/343; E04B 1/348; E06B 1/04; F24C 7/004; F24C 7/00; F24C 15/06; F24C 15/026; F21S 10/04; H05B 3/00; H05B 1/0272; H05B 2203/036; H05B 2203/003

See application file for complete search history.

(56) **References Cited**

U.S. PATENT DOCUMENTS

D120,370 S 5/1940 Bach
D129,484 S * 9/1941 Jiranek D6/671.1

D165,241 S * 11/1951 Porter D6/671.1
D165,243 S * 11/1951 Porter D6/671.1
D167,770 S 9/1952 Porter
D187,232 S 2/1960 Matyas
D193,717 S * 10/1962 Deaton D6/671.1
D203,194 S * 12/1965 Klein et al. D6/671.1
D205,290 S * 7/1966 Klein et al. D6/671.1

(Continued)

OTHER PUBLICATIONS

Carson Carrington Longyearbyen Mid-century Modern Nightstand, Overstock.com, review date with photograph of Jan. 22, 2019, site visited Dec. 9, 2020, available online at <https://www.overstock.com/Home-Garden/Carson-Carrington-Longyearbyen-20-inch-Mid-century-2-drawer-Nightstand/25482942/customer-reviews.html> (Year: 2019).

(Continued)

Primary Examiner — Kevin K Rudzinski
Assistant Examiner — Paul D Bohannon
(74) *Attorney, Agent, or Firm* — Workman Nydegger

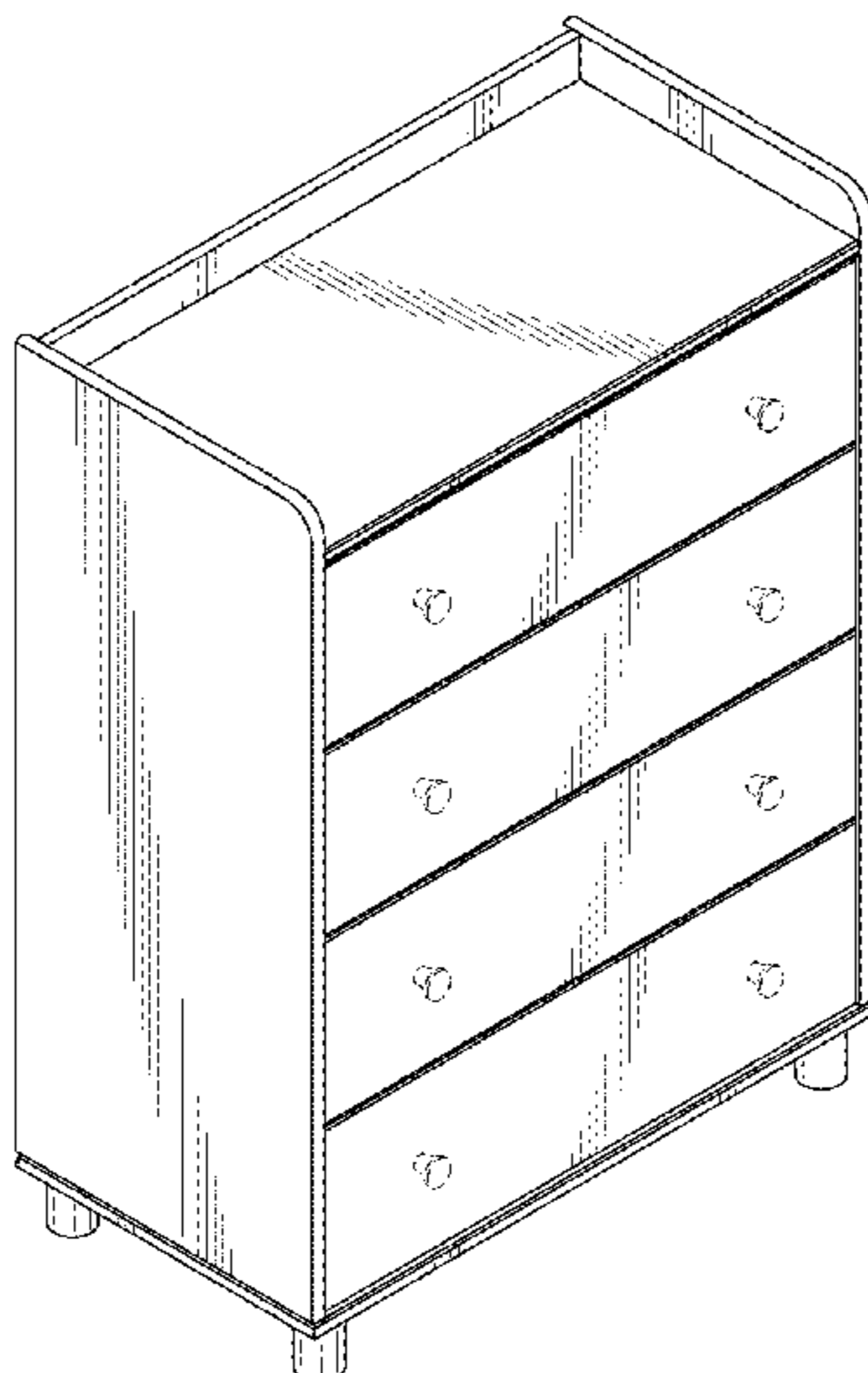
(57) **CLAIM**

The ornamental design for a dresser, as shown and described.

DESCRIPTION

FIG. 1 is a front perspective view of a dresser showing the new design;
FIG. 2 is another front perspective view thereof, shown in a second position of use with the top drawer open;
FIG. 3 is a front elevation view thereof;
FIG. 4 is a back elevation view thereof;
FIG. 5 is a top plan view thereof;
FIG. 6 is a bottom plan view thereof;
FIG. 7 is a right elevation view thereof; and,
FIG. 8 is a left elevation view thereof.
The broken lines in the drawings are for the purpose of illustrating portions of the article that form no part of the claimed design.

1 Claim, 4 Drawing Sheets



(56)

References Cited

U.S. PATENT DOCUMENTS

D241,293 S * 9/1976 Introini D6/671.1
 D251,885 S * 5/1979 Tebbe D6/671.1
 D259,316 S 5/1981 Offredi
 D296,505 S 7/1988 Kaliski
 D312,738 S 12/1990 Newhouse
 D379,880 S 6/1997 Stoeckli
 D384,525 S 10/1997 McBrayer
 D394,171 S 5/1998 De Blaay
 D401,443 S * 11/1998 Zaidman D6/671.1
 D436,754 S * 1/2001 Bellini D6/657
 D440,071 S * 4/2001 Hutton D6/671.1
 D440,073 S 4/2001 Cain
 D440,074 S 4/2001 Hutton
 D462,008 S 8/2002 Stone
 D466,332 S 12/2002 Risdon
 D475,225 S 6/2003 McBrayer
 D487,200 S 3/2004 Wanek
 D488,002 S 4/2004 Wanek
 D493,043 S 7/2004 Juneau
 D496,190 S 9/2004 Muhundro
 D499,274 S 12/2004 Juneau
 D502,821 S 3/2005 Muhundro
 D503,297 S * 3/2005 Mohundro D6/671.1
 D506,089 S 6/2005 Muhundro
 D508,347 S 8/2005 Juneau
 D511,053 S 11/2005 Peterson
 D512,247 S 12/2005 Prillaman
 D515,842 S 2/2006 Peterson
 D516,342 S 3/2006 Mohundro
 D519,299 S 4/2006 Boudreau
 D522,270 S * 6/2006 Roeseler D6/671.1
 D525,049 S 7/2006 Mohundro
 D526,814 S 8/2006 Juneau
 D532,992 S 12/2006 Kingsley
 D533,732 S 12/2006 Juneau
 D542,057 S 5/2007 Juneau
 D560,388 S 1/2008 Bacon
 D596,421 S * 7/2009 Kanthasamy D6/671.1
 D604,959 S * 12/2009 Good D6/657
 D609,496 S * 2/2010 Kanthasamy D6/671.1
 D626,635 S 11/2010 Thomas
 D718,956 S 12/2014 Helser
 D738,142 S 9/2015 Glattstein
 D747,123 S 1/2016 Zambelli
 D805,814 S 12/2017 Ginestra
 D815,465 S 4/2018 Hannoosh
 D815,466 S 4/2018 Hannoosh
 D815,467 S 4/2018 Hannoosh
 D815,468 S 4/2018 Hannoosh
 D818,745 S 5/2018 Hannoosh
 D848,767 S 5/2019 Smrstick
 D861,389 S 10/2019 Bray
 D862,134 S 10/2019 Bray
 D862,135 S 10/2019 Birch
 D867,033 S 11/2019 Bellini
 D867,791 S 11/2019 Birch
 D889,170 S 7/2020 Knox
 D894,641 S 9/2020 Davis
 D895,329 S 9/2020 Knox
 D896,008 S * 9/2020 Xiao D6/671.1
 D905,480 S * 12/2020 Bakker D6/671
 D906,739 S * 1/2021 Bakker D6/671
 D927,230 S * 8/2021 Stravitz D6/671.1
 D929,159 S * 8/2021 Davis D6/671.1
 D929,779 S * 9/2021 Davis D6/671.1
 2004/0055980 A1 * 3/2004 Krieger A47B 45/00
 211/86.01
 2013/0126452 A1 * 5/2013 Lo A47B 67/04
 211/79
 2013/0127316 A1 * 5/2013 Wu A47B 88/9416
 312/258
 2014/0231404 A1 * 8/2014 Struck H05B 3/36
 219/218

OTHER PUBLICATIONS

Mid-Century Solid Pine Three-Drawer Storage Chest, Middlebrook Designs, Overstock.com, review date with photo of Jun. 8, 2019, site visited Dec. 9, 2020, available online at <https://www.overstock.com/Home-Garden/Mid-Century-3-Drawer-Chest/25483239/customer-reviews.html> (Year: 2019).
 West Elm Mid-Century 6-Drawer Dresser, Copycatchic.com, Apr. 7, 2016, site visited Dec. 10, 2020, available online at <https://www.bloglovin.com/blogs/copy-cat-chic-1715405/west-elm-mid-century-6-drawer-dresser-4825048972> (Year: 2016).
 U.S. Appl. No. 29/698,929, dated Dec. 14, 2020, Office Action.
 U.S. Appl. No. 29/698,933, dated Dec. 17, 2020, Office Action.
 U.S. Appl. No. 29/698,934, dated Dec. 17, 2020, Office Action.
 U.S. Appl. No. 29/677,754, filed Jan. 23, 2019, Davis.
 U.S. Appl. No. 29/698,929, filed Jul. 22, 2019, Davis.
 U.S. Appl. No. 29/698,933, filed Jul. 22, 2019, Davis.
 U.S. Appl. No. 29/698,934, filed Jul. 22, 2019, Davis.
 U.S. Appl. No. 29/699,073, filed Jul. 23, 2019, Davis.
 U.S. Appl. No. 29/720,725, filed Jan. 15, 2020, Davis.
 U.S. Appl. No. 29/721,169, filed Jan. 17, 2020, Davis.
 U.S. Appl. No. 29/743,597, filed Jul. 22, 2020, Packer.
 Pinterest; 5050 Lacquered bedside table by Molteni & C.; <https://www.pinterest.com/pin/33636328453042318/>; Retrieved on Oct. 15, 2018.
 Archiproducts; 5050 Lacquered bedside table by Molteni & C.; https://www.archiproducts.com/en/products/molteni-c/wooden-bedside-table-with-drawers-5050-lacquered-bedside-table_246952; Retrieved on Oct. 15, 2018.
 Pinterest; Cabinet Furniture; Furniture Design collezione 2011 Ottoman Box by Aksu <https://www.pinterest.com/pin/33636328452974953/>; Retrieved on Nov. 25, 2019.
 Cole; Container; <http://coletonalia.com/product/ottoman-box/>; Retrieved on Nov. 25, 2019.
 U.S. Appl. No. 29/699,073, dated Sep. 16, 2020, Notice of Allowance.
 U.S. Appl. No. 29/767,920, filed Jan. 26, 2021, Duhadway.
 U.S. Appl. No. 29/767,921, filed Jan. 26, 2021, Duhadway.
 U.S. Appl. No. 29/767,926, filed Jan. 26, 2021, Duhadway.
 U.S. Appl. No. 29/768,124, filed Jan. 27, 2021, Naylor.
 YouTube; Bourbon Moth Woodworking; Mid Century Walnut Hutch Build/ How-To; Jul. 24, 2018; <https://www.youtube.com/watch?app=desktop&v=R8a4TynV67o&feature=youtu.be>.
 Appliancesconnection.com; Walker Edison Buffet BU52SV6D; retrieved on Mar. 11, 2021; <https://www.appliancesconnection.com/walker-edison-bu52sv6d.html>.
 “Walker Edison Furniture AZR2DSLNSCA nightstand Caramel.” Found online Mar. 26, 2021 at www.amazon.com. Product reviewed Apr. 15, 2019. Retrieved from URL: <https://www.amazon.com/WE-Furniture-AZR3DSLDRWT-Dresser-Walnut/dp/B07N26W6PG?th=1> (Year: 2019).
 Eden Bridge Designs Mid Century Nightstand. Found online Mar. 26, 2021 at www.amazon.co.uk. Product first available Apr. 22, 2019. Retrieved from URL: https://www.amazon.co.uk/WE-Furniture-Century-Nightstand-Storage/dp/B07QXLKMWW?ref=ast_sto_dp&th=1 (Year: 2019).
 “Sonoma 2-Drawer Walnut Nightstand by Bellamy Studios.” Found online Mar. 26, 2021 at www.walmart.com. Product reviewed Mar. 21, 2020. Retrieved from URL: <https://tinyurl.com/2yahxxzc> (Year: 2020).
 Eden Bridge Design Modern Midcentury Dresser. Found online Mar. 26, 2021 at www.amazon.co.uk. Product first available Jan. 23, 2019. Retrieved from URL: <https://tinyurl.com/r6uscnuw> (Year: 2019).
 Walker Edison 3 Drawer. Found online Mar. 26, 2021 at www.amazon.com. Product reviewed Apr. 15, 2019. Retrieved from URL: https://www.amazon.com/WE-Furniture-AZR6DSLDRCA-Dresser-Caramel/dp/B07N28F4BL/ref=dp_fod_3?pd_rdJ=B07N26VX8S&th=1 (Year: 2019).
 Desert Fields Sonoma 3-Drawer Caramel Dresser. Found online Mar. 26, 2021 at www.walmart.com. Product reviewed May 16,

(56)

References Cited

OTHER PUBLICATIONS

2019. Retrieved from URL: <https://www.walmart.com/ip/Desert-Fields-Sonoma-3-Drawer-Caramel-Dresser/753739235?selected=true> (Year: 2019).

“Eden Bridge Designs Dresser.” Found on line Mar. 26, 2021 at www.amazon.co.uk. Product first available Jan. 23, 2019. Retrieved from URL: <https://www.amazon.co.uk/WE-Furniture-Walker-Century-Dresser/dp/B07N26VX8S> (Year: 2019).

“Carson Carrington Gammelstaden Mid-century 6-drawer Dresser.” Found online Mar. 26, 2021 at www.overstock.com. Product reviewed May Jan. 24, 2019. Retrieved from URL: <https://tinyurl.com/3uxxs7vu> (Year: 2019).

“Desert Fields Sonoma 6-Drawer.” Found online Mar. 26, 2021 at www.walmart.com. Product reviewed Feb. 6, 2019. Retrieved from URL: <https://tinyurl.com/bs9jfv9t> (Year: 2019).

“Walker Edison Furniture AZR6DSLDRCA Dresser Caramel.” Found online Mar. 26, 2021 at www.amazon.com. Product reviewed May 25, 2019. Retrieved from URL: https://www.amazon.com/WE-Furniture-AZR6DSLDRWT-Dresser-Walnut/dp/B07N26VX8S/ref=dp_fod_2?pd_rd_i=B07N27XGSC&th=1 (Year: 2019).

Bridgeport by Hopewood; Found online on Mar. 29, 2021 at <https://hubbingtons.com/product-category/bridgeport-by-hopewood/>.

Dovetail Furniture DOV Bridgeport Chest Grey; Found online on Mar. 29, 2021 at <https://www.goodshomefurnishings.com/dovetail-furniture-bridgeport-chest-grey/dov18028-p71/iteminformation.aspx>.

Renegar 2 Door Accent Cabinet; Wayfair.com; found online Apr. 21, 2021; retrieved May 3, 2021 (online); <https://www.wayfair.com/furniture/pdp/gracie-oaks-renegar-2-door-accent-cabinet-w001524010.html>.

Albright TV Stand; Wayfair.com; found online Apr. 21, 2021; retrieved May 3, 2021 (online); <https://www.wayfair.com/furniture/pdp/three-posts-albright-tv-stand-w003419693.html?placement=1>.

West Elm Website “furniture” search; Westelm.com; retrieved Apr. 20, 2020 (online); https://www.westelm.com/shop/furniture/?searchredir=true&cm_sp=HeaderLinks-_-OnsiteSearch-_-MainSite&cm_type=OnsiteSearch&term=furniture&searchredirtype=br.

Walker Edison Blog Post, How to Style an Entryway to Impress; walkerredisonshop.com; retrieved Apr. 8, 2021 (online); <https://walkerredisonshop.com/blogs/news>.

Raymour Flanigan Website “Living Rooms” search; raymourflanigan.com; retrieved Nov. 6, 2020 (online); <https://raymourflanigan.com/living-rooms>.

Crate and Barrel Website “Business Interior Design” search; crateandbarrel.com; retrieved Nov. 6, 2020 (online); https://www.crateandbarrel.com/trade-program/?a=784&campaignid=1061902950&adgroupid=55881134521&targetid=aud-1097585102856:kwd-415008832538&adpos=&creative=251673559670&device=c&matchtype=e&network=g&gclid=Cj0KCQjwytOEBhD5ARIsANnRjVgCRKanmeP5yMquG6rsNP7KAU-nUpzG5NfgZU-PhRCRUgz507ltMaAhvLEALw_wcB.

Home Depot—Bridgeport Collection in Antique White; homedepot.com; retrieved May 13, 2020 (online); <https://www.homedepot.com/s/bridgeport%2520collection%2520in%2520antique%2520white?NCNI=5>.

Stuart David—Bridgeport; stuartdavid.com; retrieved May 13, 2020 (online); https://www.stuartdavid.com/search?product_search_api_fulltext=Bridgeport&search_api_views_submit=Submit.

Ohio Hardwood Furniture—Bridgeport 3 Drawer Armoire; ohiohardwoodfurniture.com; retrieved May 13, 2020 (online); <https://www.ohiohardwoodfurniture.com/products/bridgeport-3-drawer-armoire>.

Cabinfield—Brideport Series; cabinfield.com; retrieved May 13, 2020 (online); <https://www.cabinfield.com/fine-furniture/bedroom/contemporary-collection/bridgeport-series-6281>.

Stacy Furniture—Lexington Bedroom Bridgeport Bachelors Chests; stacyfurniture.com; retrieved May 13, 2020 (online); <https://www.stacyfurniture.com/lexington-bridgeport-bachelors-chest/714-624-8/iteminformation.aspx>.

Winhome Furniture Collection, found online May 20, 2021 at <https://www.whfurni.com/collections/all>, and retrieved Jun. 3, 2021.

U.S. Appl. No. 29/698,929, dated Apr. 2, 2021, Final Office Action.

U.S. Appl. No. 29/698,933, dated Apr. 2, 2021, Office Action.

U.S. Appl. No. 29/698,934, dated Apr. 2, 2021, Office Action.

“Walker Edison Wood Dresser.” Found online Jun. 16, 2021 at www.amazon.com. Product first available Sep. 4, 2018. Retrieved from URL: <https://www.amazon.com/WE-Furniture-AZR6DDDRWT-Dresser-Walnut/dp/B07H35NSL3?th=1> (Year: 2018).

“Ikea 8-drawer dresser.” Found on line Jun. 16, 2021 at www.amazon.com. Product first available Aug. 25, 2016. Retrieved from URL: <https://www.amazon.com/8-drawer-dresser-white-stain-228-52617-3834/dp/B01LOE13SC> (Year: 2016).

U.S. Appl. No. 29/677,754, dated Jun. 23, 2021, Office Action.

U.S. Appl. No. 29/698,929, dated Jul. 20, 2021, Notice of Allowance.

U.S. Appl. No. 29/698,933, dated Jul. 20, 2021, Notice of Allowance.

U.S. Appl. No. 29/698,934, dated Jul. 20, 2021, Notice of Allowance.

* cited by examiner

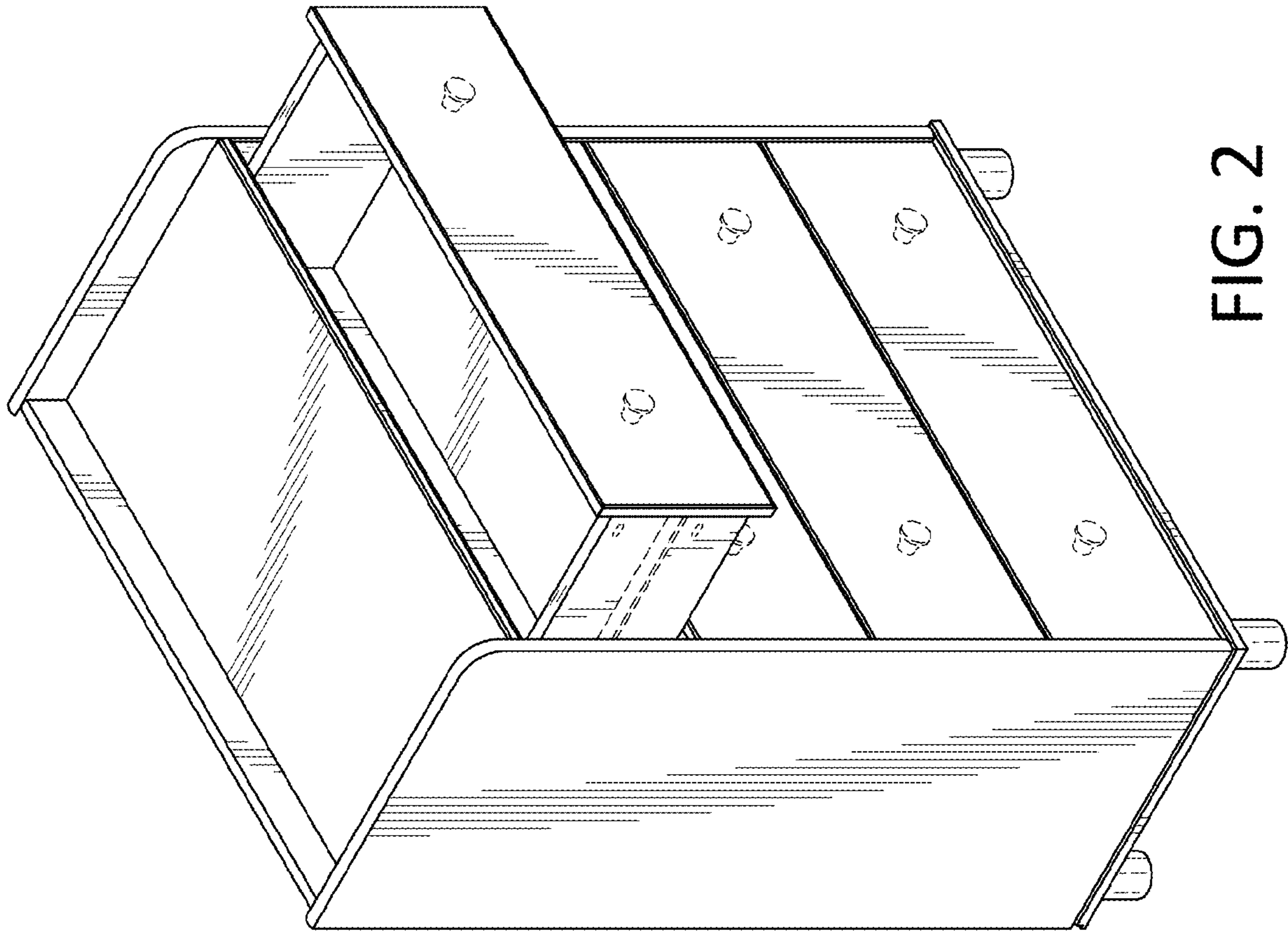


FIG. 2

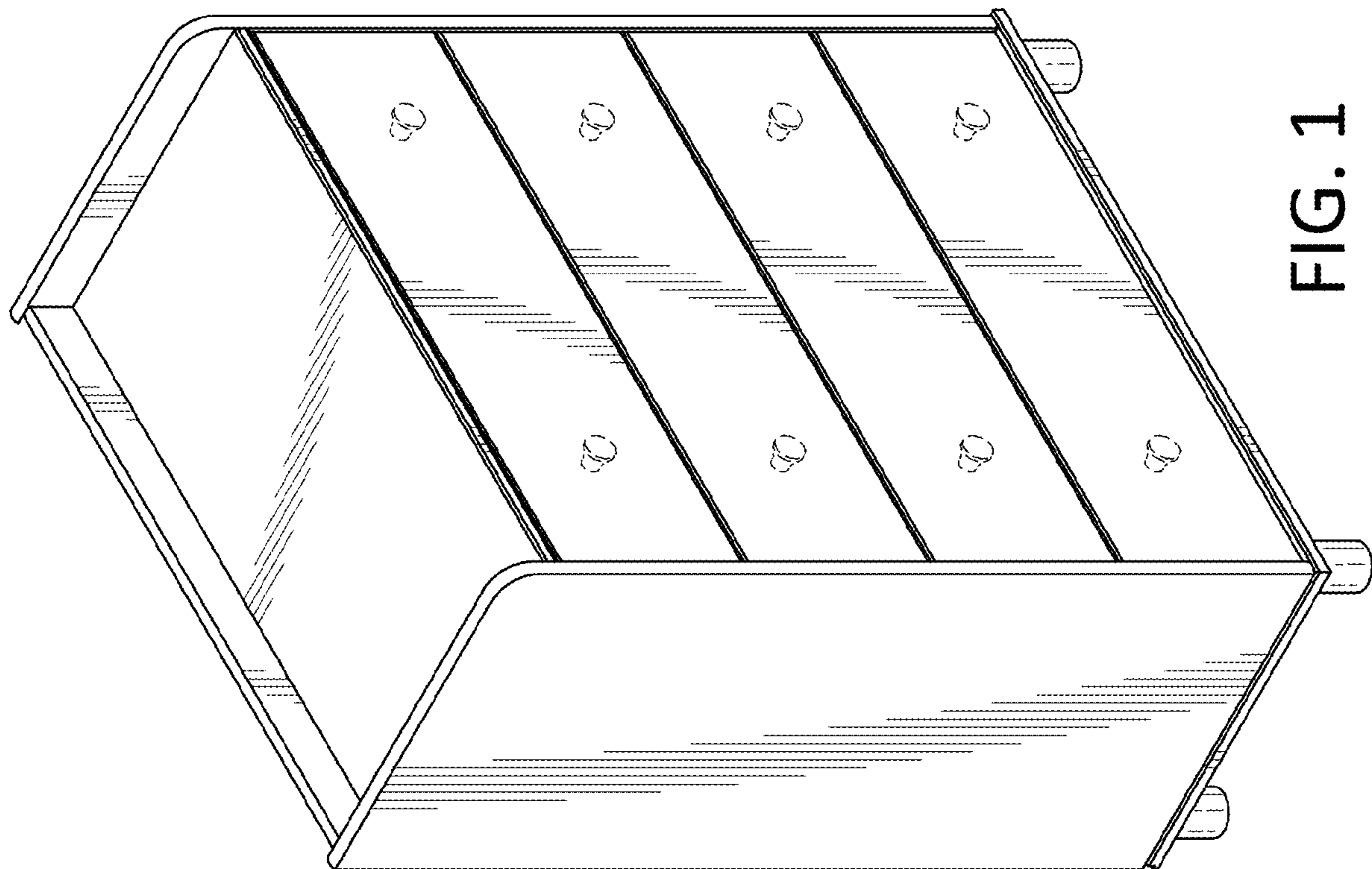


FIG. 1

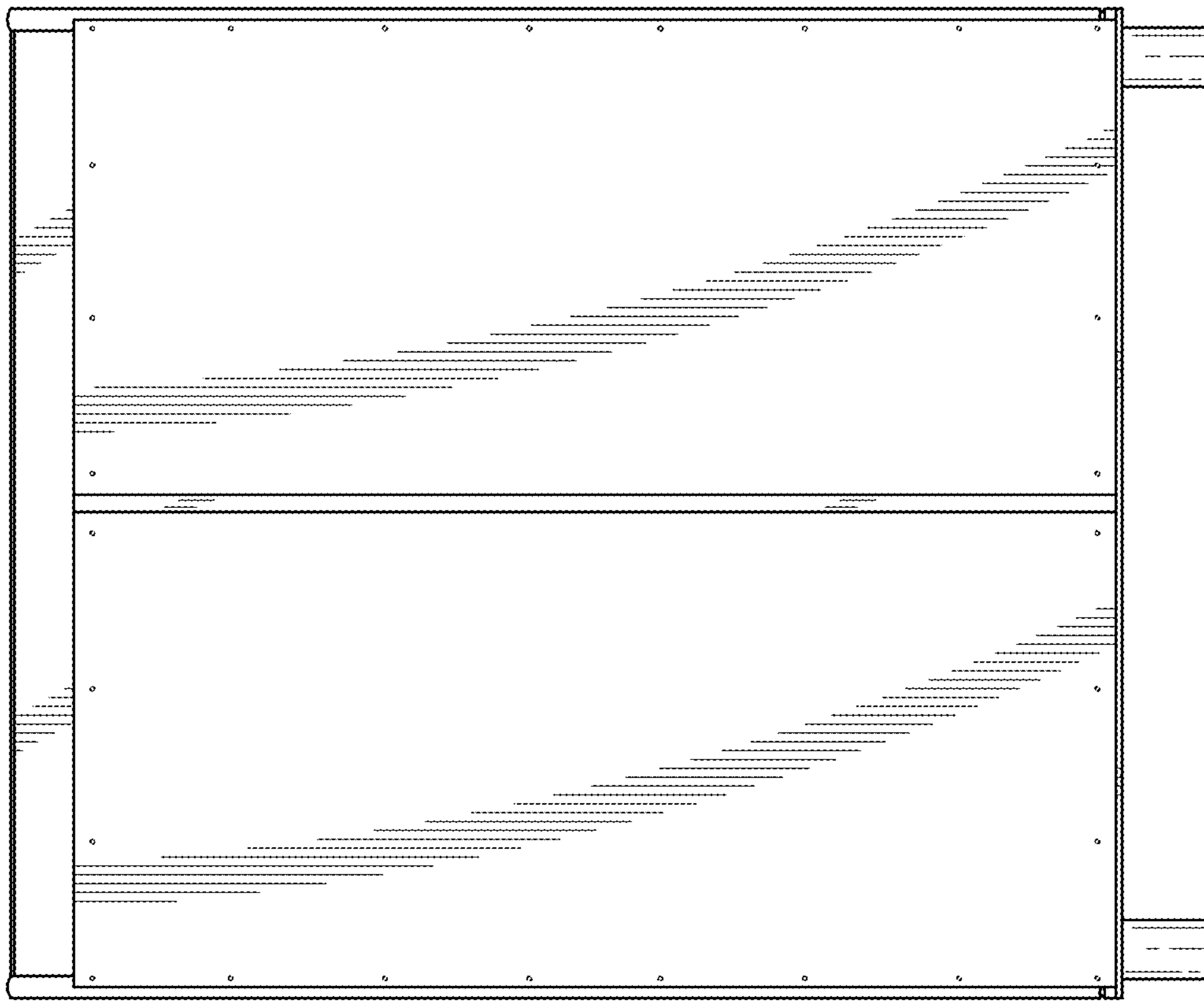


FIG. 4

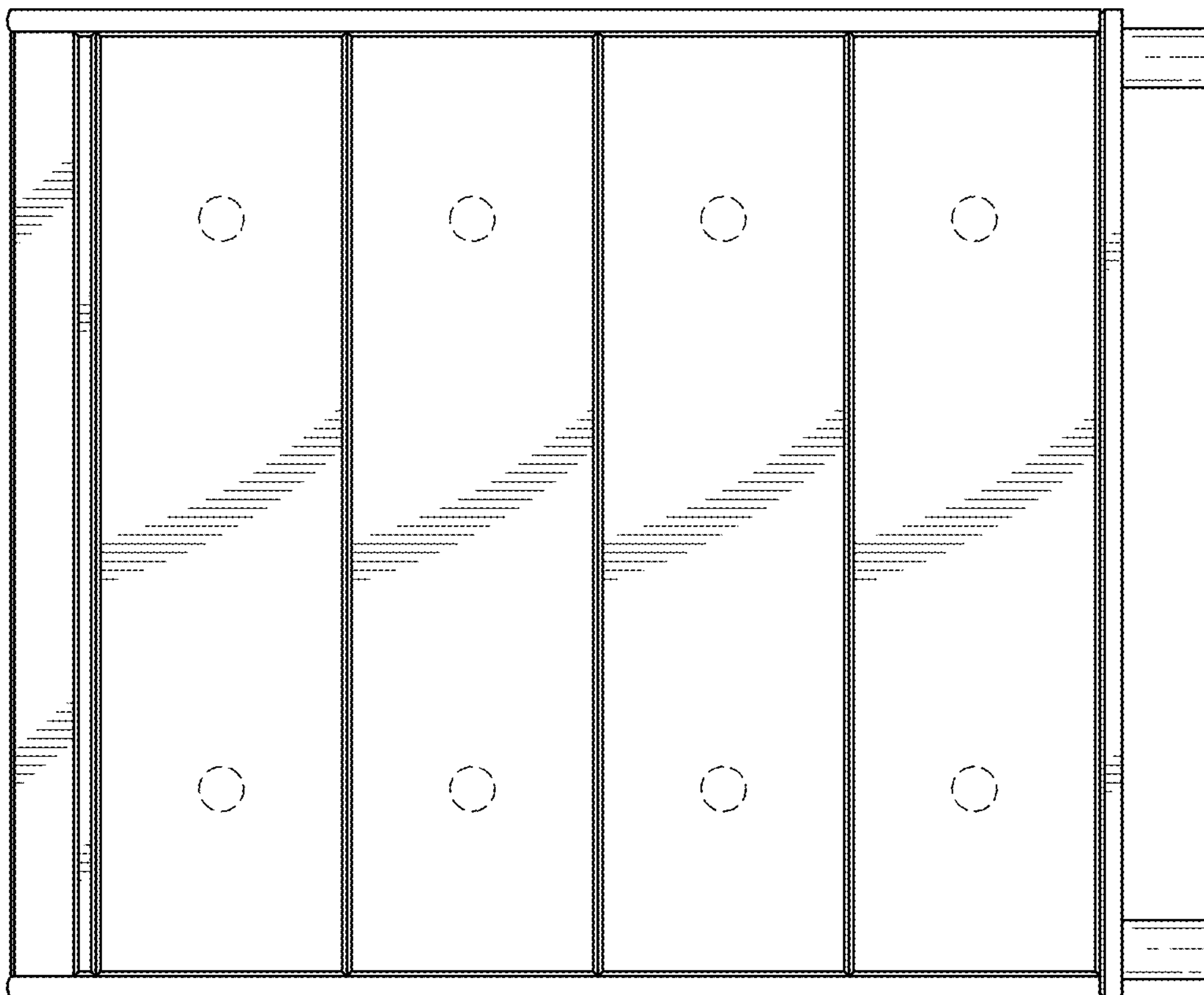


FIG. 3

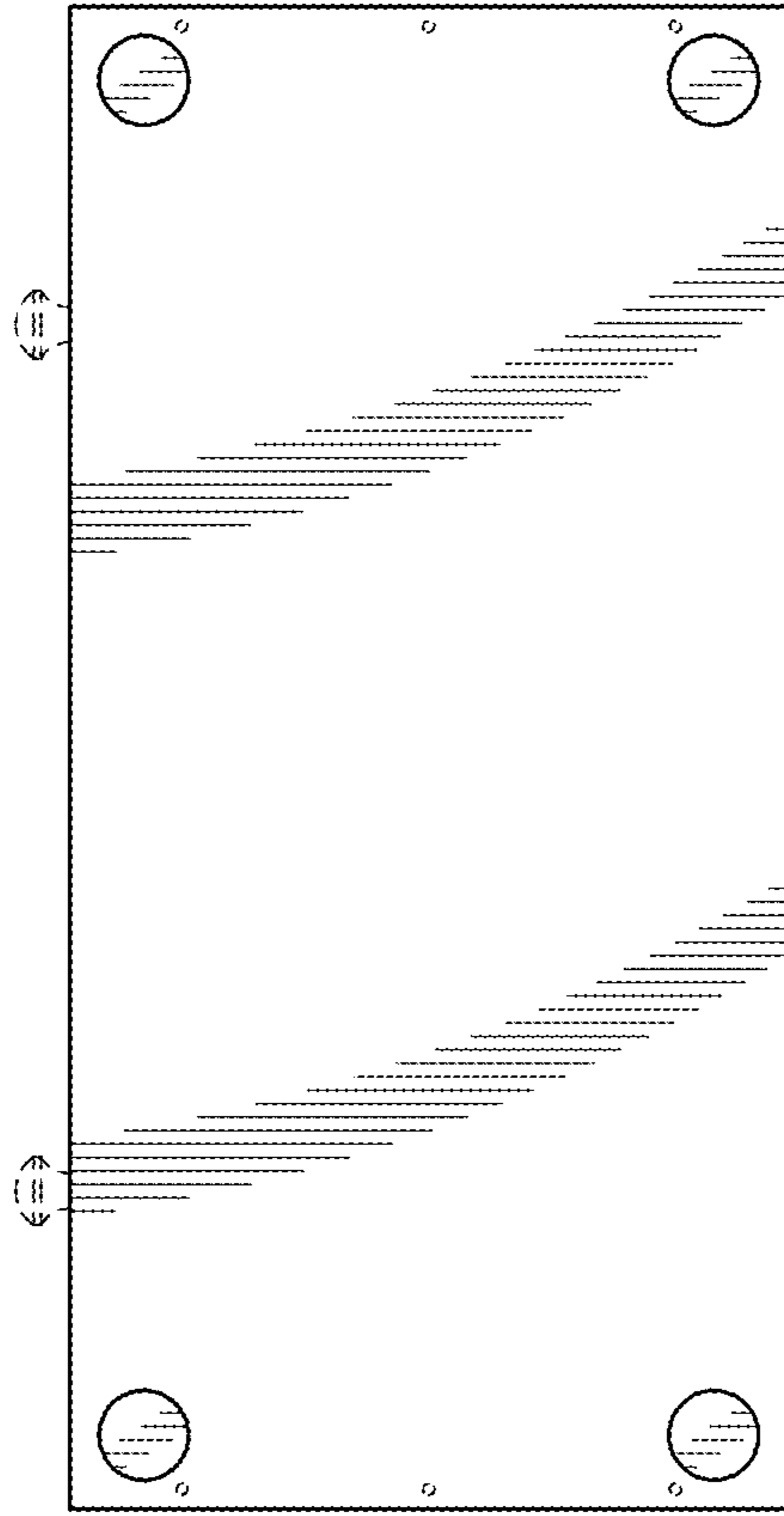


FIG. 6

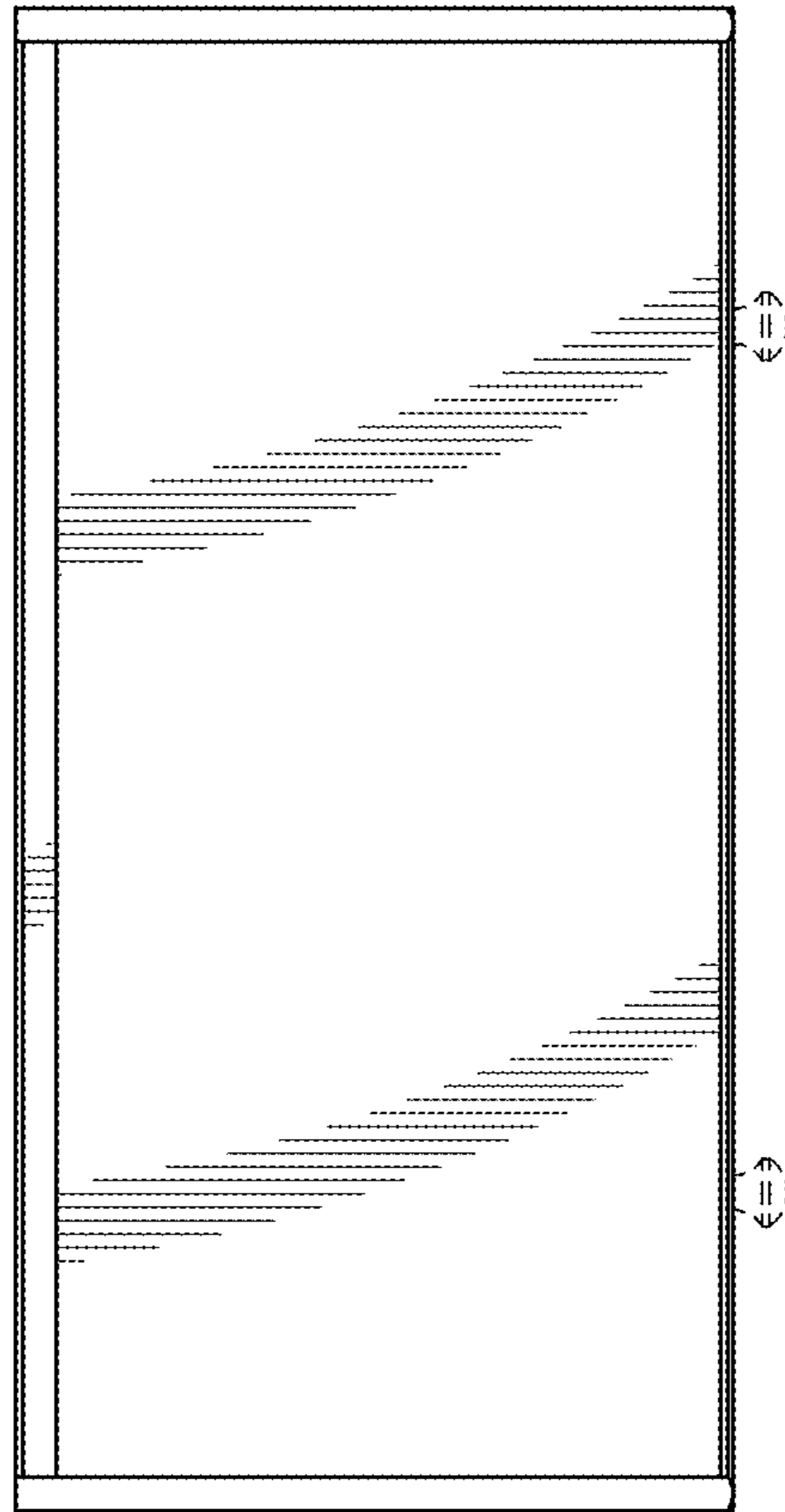


FIG. 5

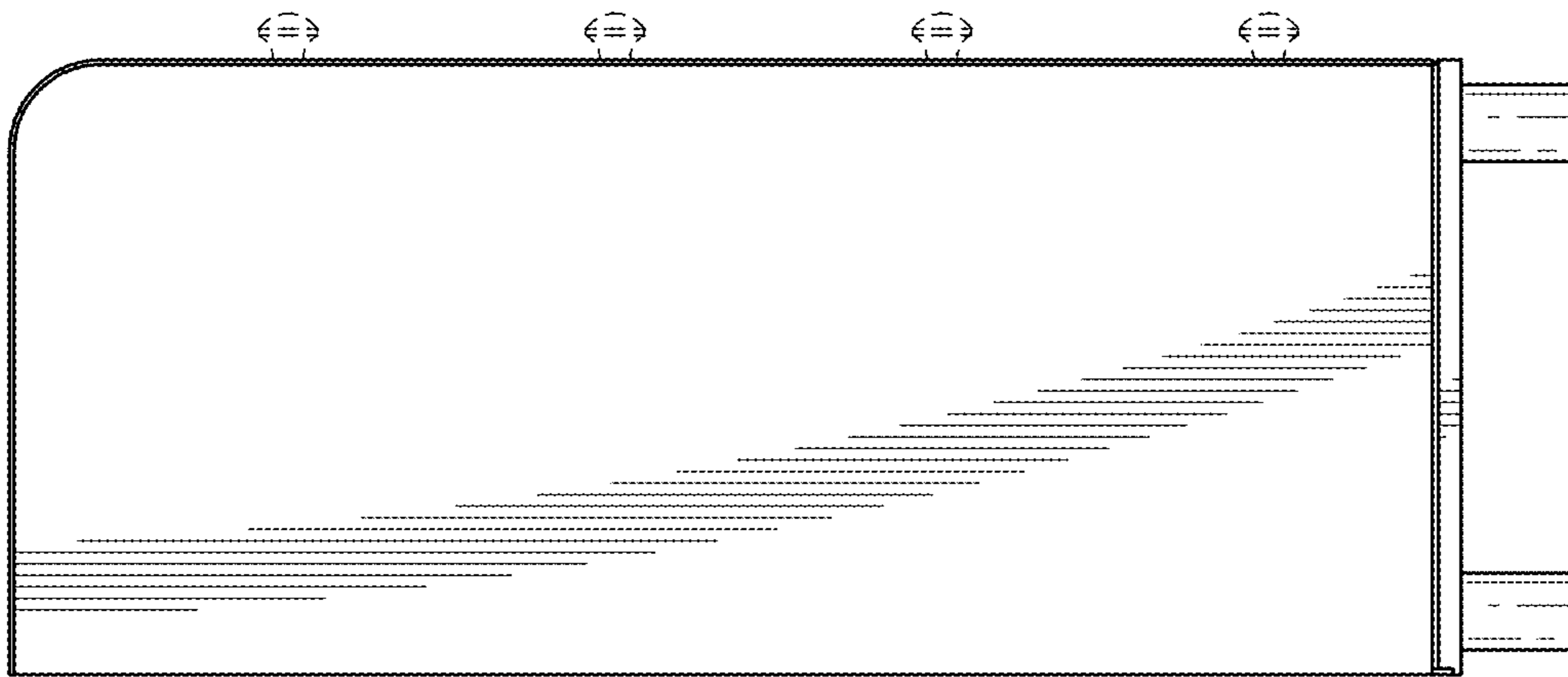


FIG. 7

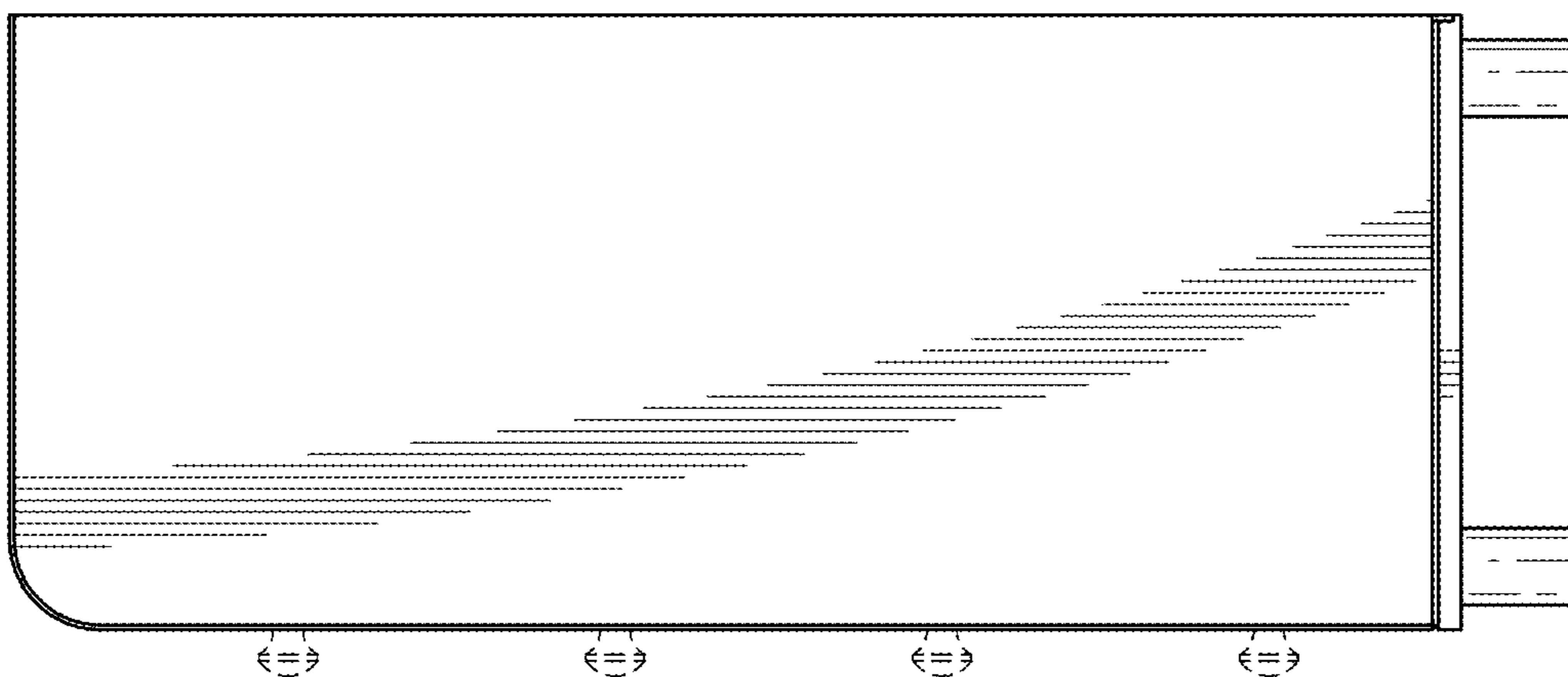


FIG. 8