



US00D936396S

(12) **United States Design Patent** (10) **Patent No.:** **US D936,396 S**  
**Chen** (45) **Date of Patent:** **\*\* Nov. 23, 2021**

(54) **VANITY CABINET**

OTHER PUBLICATIONS

(71) Applicant: **Cambium Business Group, Inc.**,  
Buena Park, CA (US)  
(72) Inventor: **Yanxin Chen**, Buena Park, CA (US)  
(73) Assignee: **CAMBIUM BUSINESS GROUP,**  
**INC.**, Buena Park, CA (US)  
(\*\*) Term: **15 Years**

“Bravo 48-inch Vanity.” Found online Aug. 13, 2021 at www.fairmontdesigns.com. Page archived Mar. 14, 2020. Retrieved from URL: <https://web.archive.org/web/20200314085115/https://www.fairmontdesigns.com/bath/collection/bravo/> (Year: 2020).\*  
Facebook—What WE Make. Found online Jul. 30, 2021 at www.facebook.com. Post dated Sep. 12, 2018. Retrieved from URL: <https://www.facebook.com/wwmake/photos/a.1428190317295780/1832033303578144/?type=3&theater> (Year: 2018).\*  
“Kate builds a mid-century modern bathroom vanity.” Found online Aug. 13, 2021 at www.retrorenovation.com. Page dated Jan. 7, 2014. Retrieved from URL: <https://retrorenovation.com/2014/01/07/mid-century-modern-bathroom-vanity-2/> (Year: 2014).\*

(21) Appl. No.: **29/701,325**

\* cited by examiner

(22) Filed: **Aug. 9, 2019**

(51) **LOC (13) Cl.** ..... **06-04**

*Primary Examiner* — Mary Ann Calabrese

(52) **U.S. Cl.**

*Assistant Examiner* — Katelin G Kloberg

USPC ..... **D6/671.1**

(74) *Attorney, Agent, or Firm* — Cislo & Thomas, LLP

(58) **Field of Classification Search**

USPC ..... D6/329, 657, 663, 664.1, 671, 671.1,  
D6/702; D23/286

CPC ..... A47B 43/00; A47B 2220/03; A47B 67/00;  
A47B 96/00; A47K 1/00

See application file for complete search history.

(57) **CLAIM**

I claim the ornamental design for a vanity cabinet, as shown and described.

(56) **References Cited**

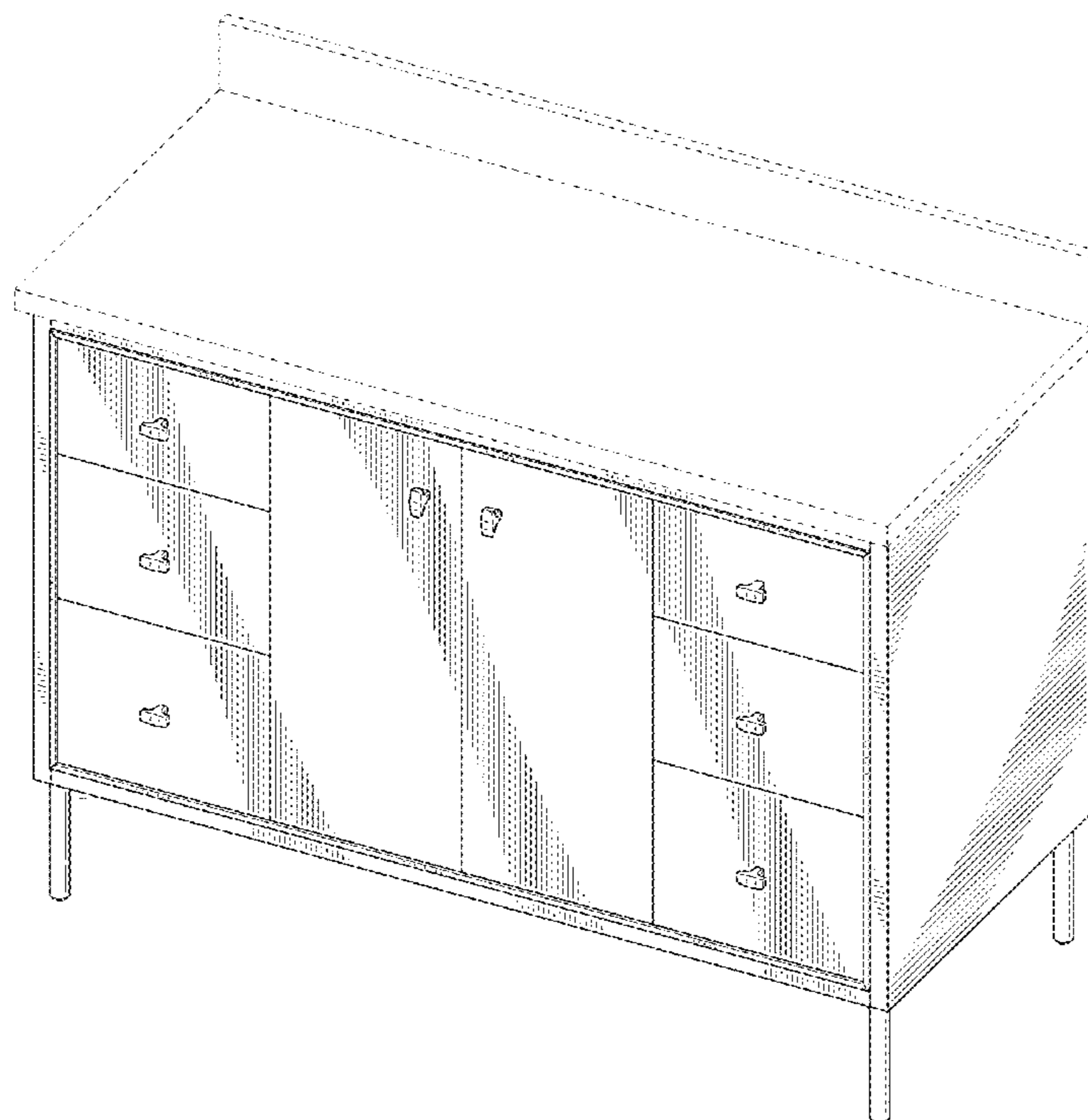
**DESCRIPTION**

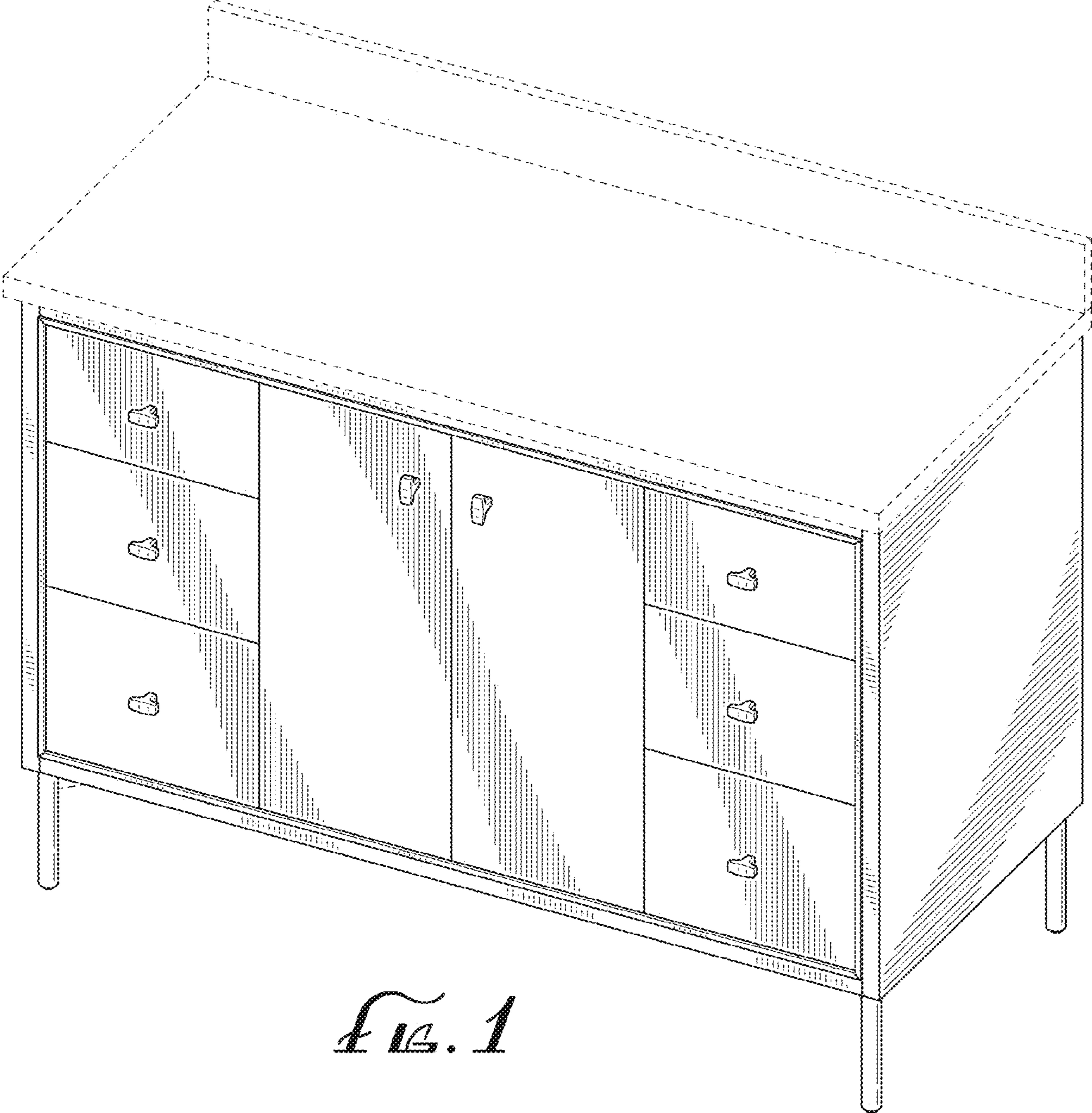
U.S. PATENT DOCUMENTS

D57,328 S \* 3/1921 Golubski ..... D6/336  
D352,607 S \* 11/1994 Woudstra ..... D6/671.1  
D382,139 S \* 8/1997 Palka ..... D6/671.1  
D574,630 S \* 8/2008 Clucas ..... D6/671.1  
D585,214 S \* 1/2009 Clucas ..... D6/671.1  
D722,241 S \* 2/2015 Chen ..... D6/671.1  
D925,254 S \* 7/2021 van Thiel ..... D6/671.1

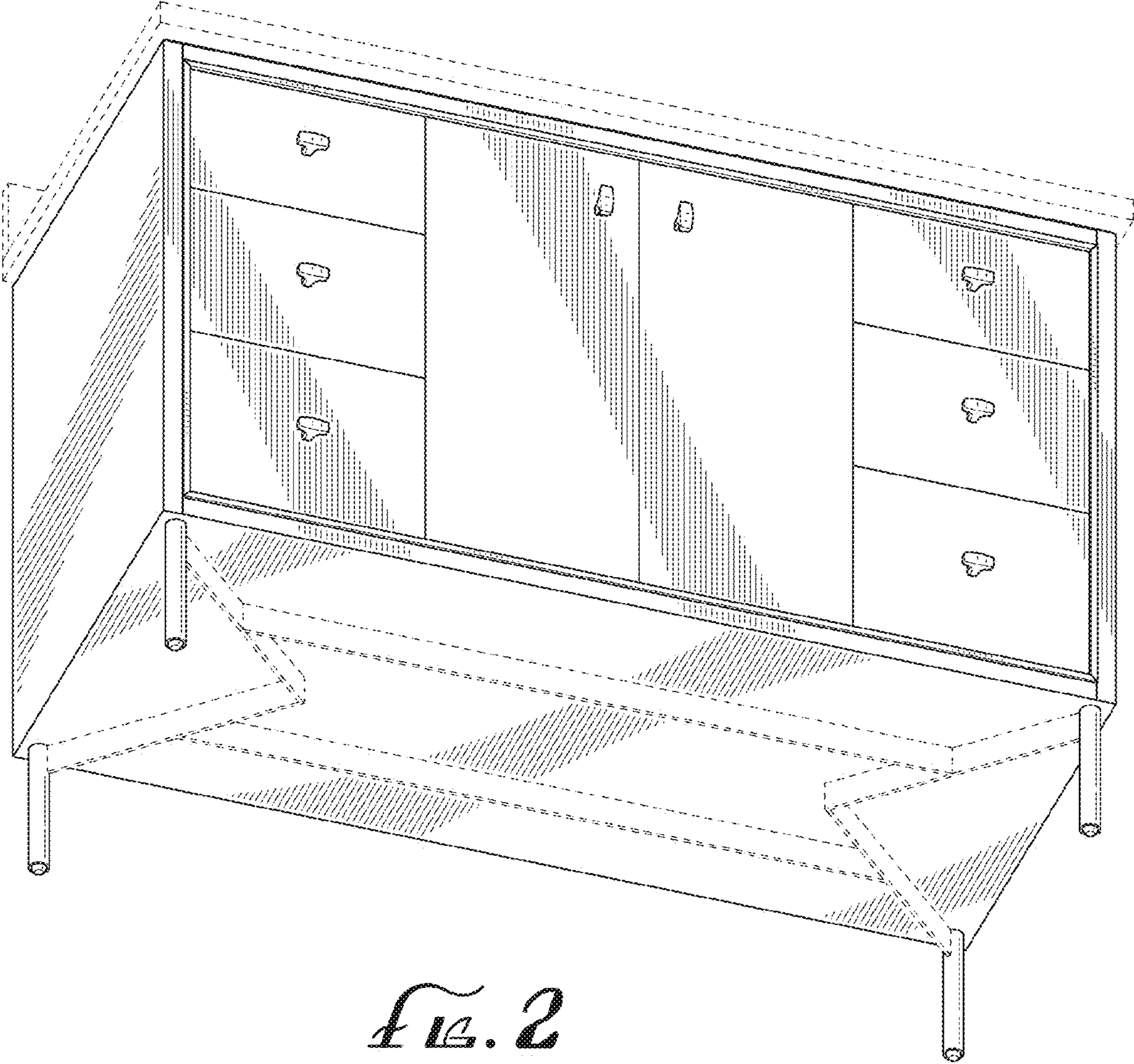
FIG. 1 is a front perspective view of the vanity cabinet.  
FIG. 2 is a bottom perspective view thereof.  
FIG. 3 is a front view thereof; and,  
FIG. 4 is an enlarged right side elevation view thereof with the enlarged left side elevation view being a mirror image thereof.  
The broken lines shown in the drawings depict portions of the article and form no part of the claimed design.

**1 Claim, 4 Drawing Sheets**

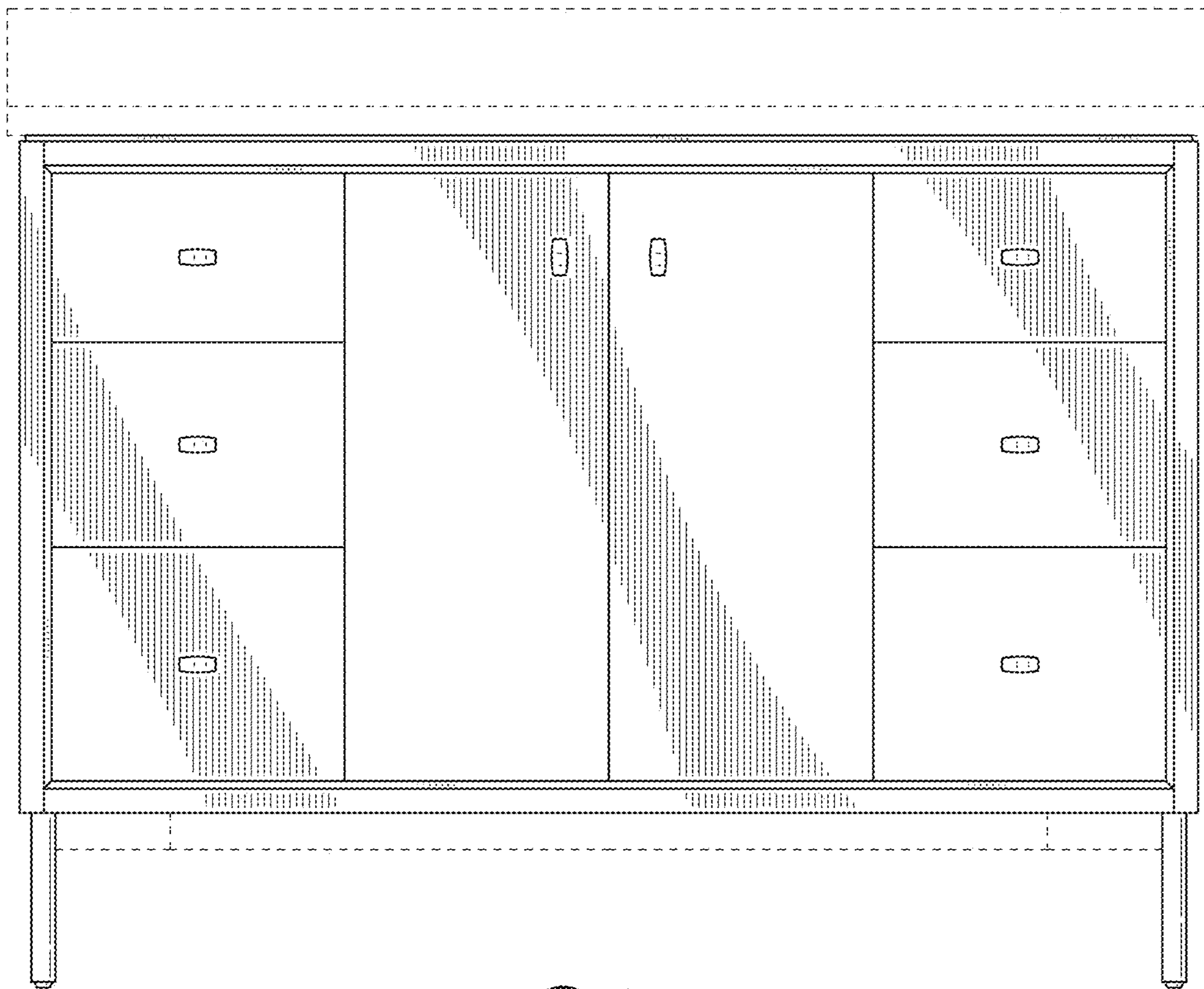




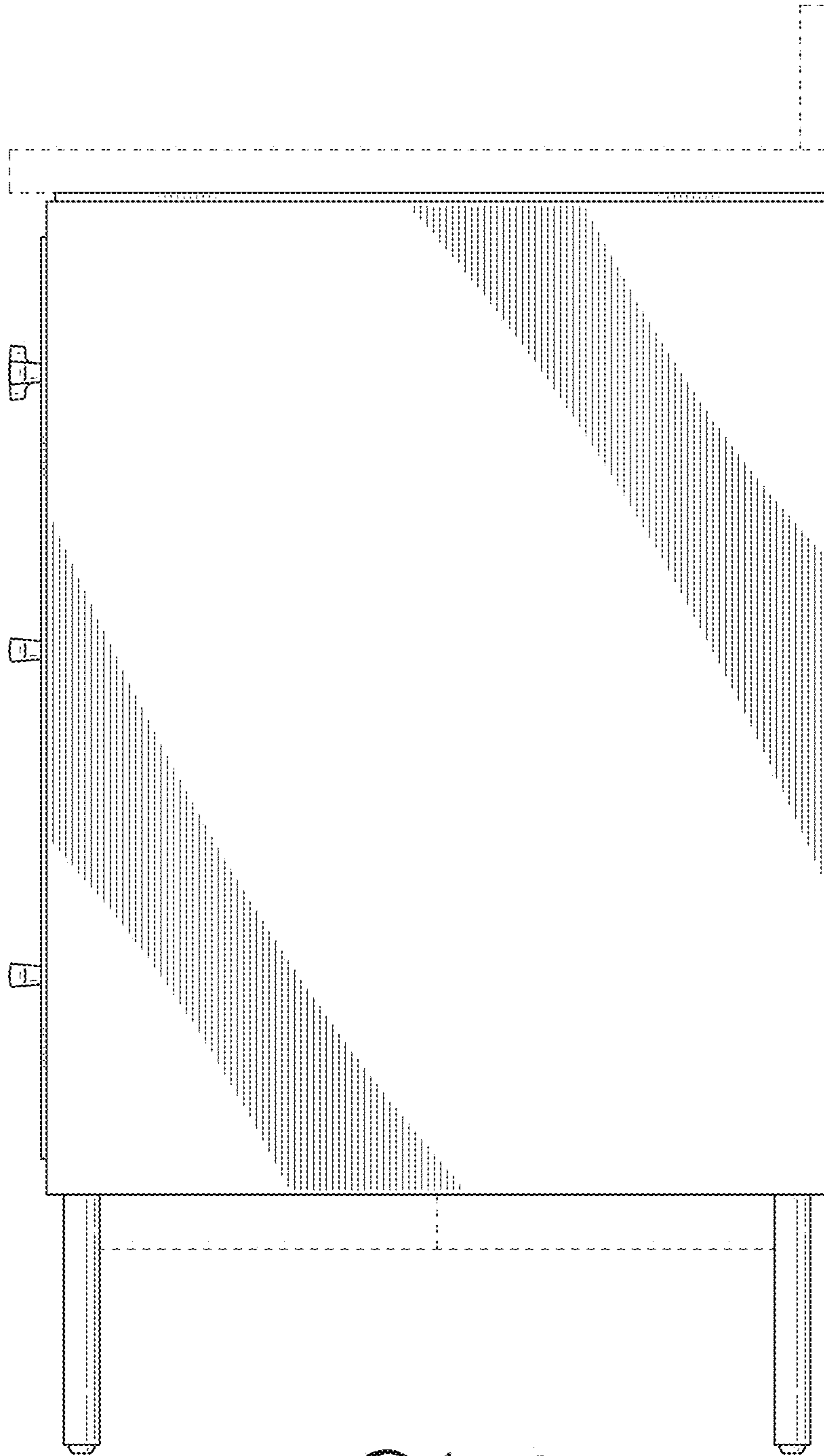
*FIG. 1*



*FIG. 2*



*FIG. 3*



*FIG. 4*