



US00D936395S

(12) **United States Design Patent** (10) **Patent No.:** **US D936,395 S**  
**Yu** (45) **Date of Patent:** **\*\* Nov. 23, 2021**

(54) **DRESSING TABLE**

(71) Applicant: **Dan Yu**, Dongguan (CN)

(72) Inventor: **Dan Yu**, Dongguan (CN)

(\*\*) Term: **15 Years**

(21) Appl. No.: **29/765,432**

(22) Filed: **Jan. 8, 2021**

(51) **LOC (13) Cl.** ..... **06-04**

(52) **U.S. Cl.**  
USPC ..... **D6/664.1**

(58) **Field of Classification Search**  
USPC ..... D6/329, 641, 653, 653.1, 657, 664.1, D6/685, 686  
CPC ..... A47B 67/005; A47B 67/00; A47B 2220/0077; A47G 1/02; A47G 1/04; A47G 2200/08; A47G 1/0622; A47G 1/00  
See application file for complete search history.

(56) **References Cited**

**U.S. PATENT DOCUMENTS**

D303,594 S	*	9/1989	Keller	.....	D6/664.1
D311,832 S	*	11/1990	Keller	.....	D6/664.1
D416,712 S	*	11/1999	Chou	.....	D6/664.1
D546,503 S	*	7/2007	Kreiss	.....	D6/653
D723,306 S	*	3/2015	Kielwasser	.....	D6/653
D829,474 S		10/2018	Neri et al.		
D885,797 S		6/2020	Sumlin		
D891,153 S		7/2020	Sumlin		
D891,154 S		7/2020	Sumlin		
D891,824 S		8/2020	Sumlin		
D894,644 S		9/2020	Knox et al.		
D895,328 S		9/2020	Knox et al.		
D895,329 S		9/2020	Knox et al.		
D899,157 S		10/2020	Lok		
D899,824 S		10/2020	Lok		

**OTHER PUBLICATIONS**

“Fidel Vanity Set with Stool and Mirror.” Found online Apr. 8, 2021 at www.wayfair.com. Product reviewed Sep. 11, 2020. Retrieved

from URL: <https://www.wayfair.com/furniture/pdp/rosdorf-park-fidel-vanity-set-with-stool-and-mirror-w003508701.html?piid=> (Year: 2020).\*  
“Tiptiper Makeup Vanity Table.” Found online Apr. 7, 2021 at www.amazon.com. Product first available Jul. 6, 2020. Retrieved from URL: <https://tinyurl.com/avb72dpd> (Year: 2020).\*  
“Mesa do tocador con espejo iluminado y triple piegable.” Found online Apr. 8, 2021 at www.amazon.com. Product first available May 22, 2020. Retrieved from URL: <https://tinyurl.com/39nzcycdj> (Year: 2020).\*  
“VASAGLE Makeup Vanity Set.” Found online Apr. 8, 2021 at www.amazon.com. Product first available Aug. 16, 2020. Retrieved from URL: <https://tinyurl.com/v6mja9b7> (Year: 2020).\*

\* cited by examiner

*Primary Examiner* — Mary Ann Calabrese  
*Assistant Examiner* — Katelin G Kloberg  
(74) *Attorney, Agent, or Firm* — Rumit Ranjit Kanakia

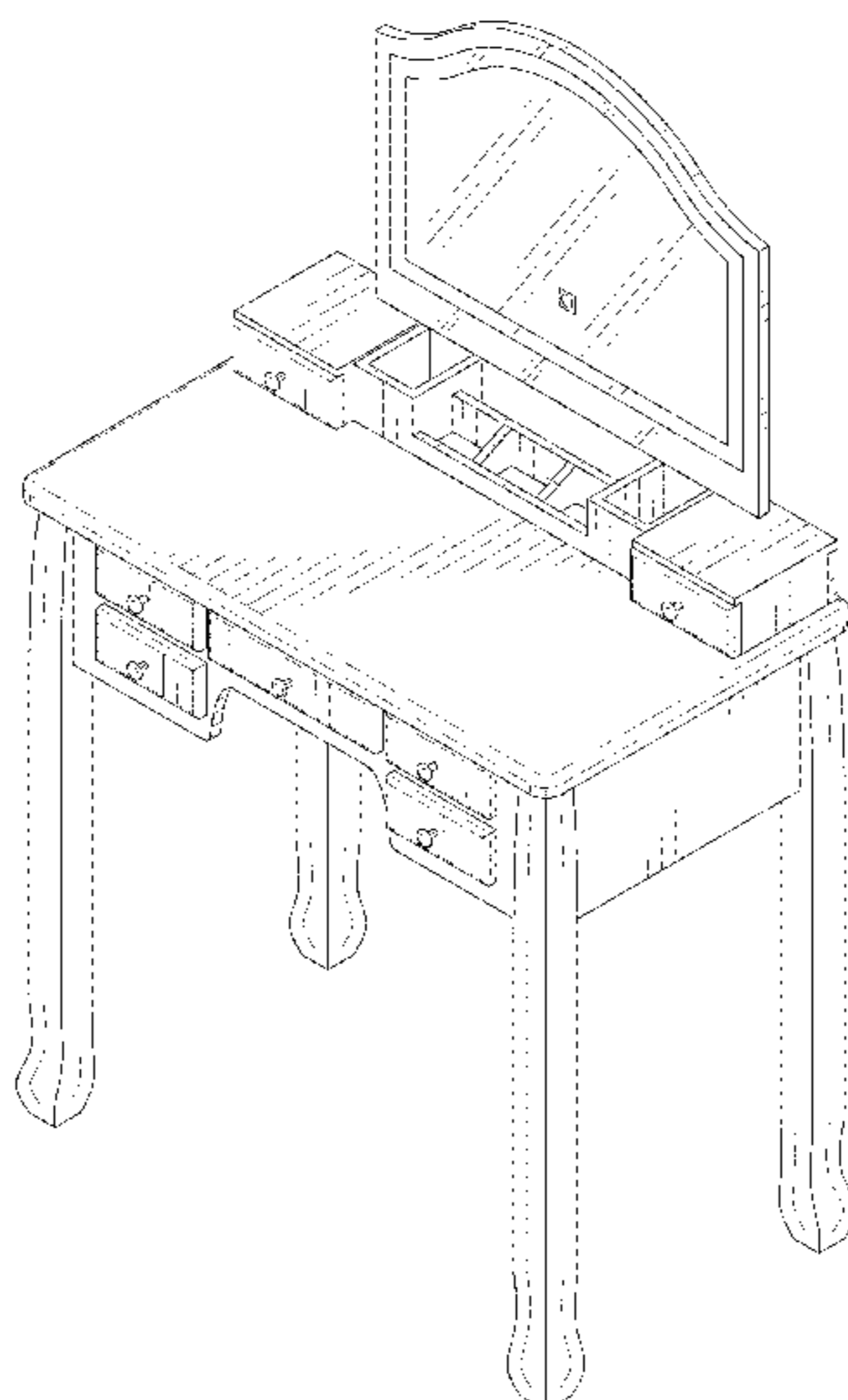
(57) **CLAIM**

The ornamental design for a dressing table, as shown and described.

**DESCRIPTION**

FIG. 1 is a front elevational view of a dressing table, showing my new design;  
FIG. 2 is a rear elevational view thereof;  
FIG. 3 is a left side view thereof;  
FIG. 4 is a right side view thereof;  
FIG. 5 is a top plan view thereof;  
FIG. 6 is a bottom plan view thereof; and,  
FIG. 7 is a perspective view thereof.  
The broken lines in the figures are for the purposes of illustrating portions of the dressing table, which form no part of the claimed design.

**1 Claim, 7 Drawing Sheets**



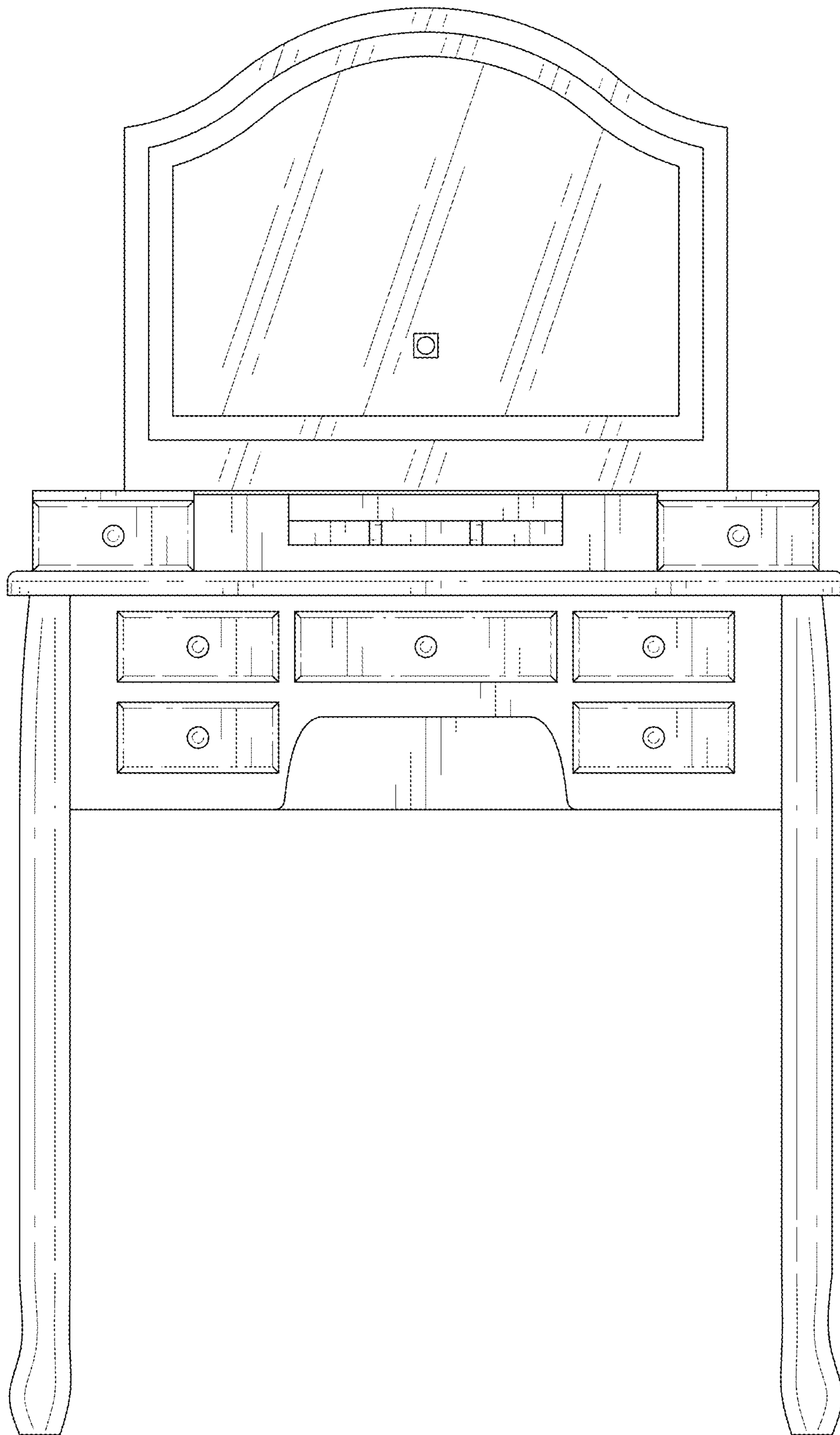


FIG. 1

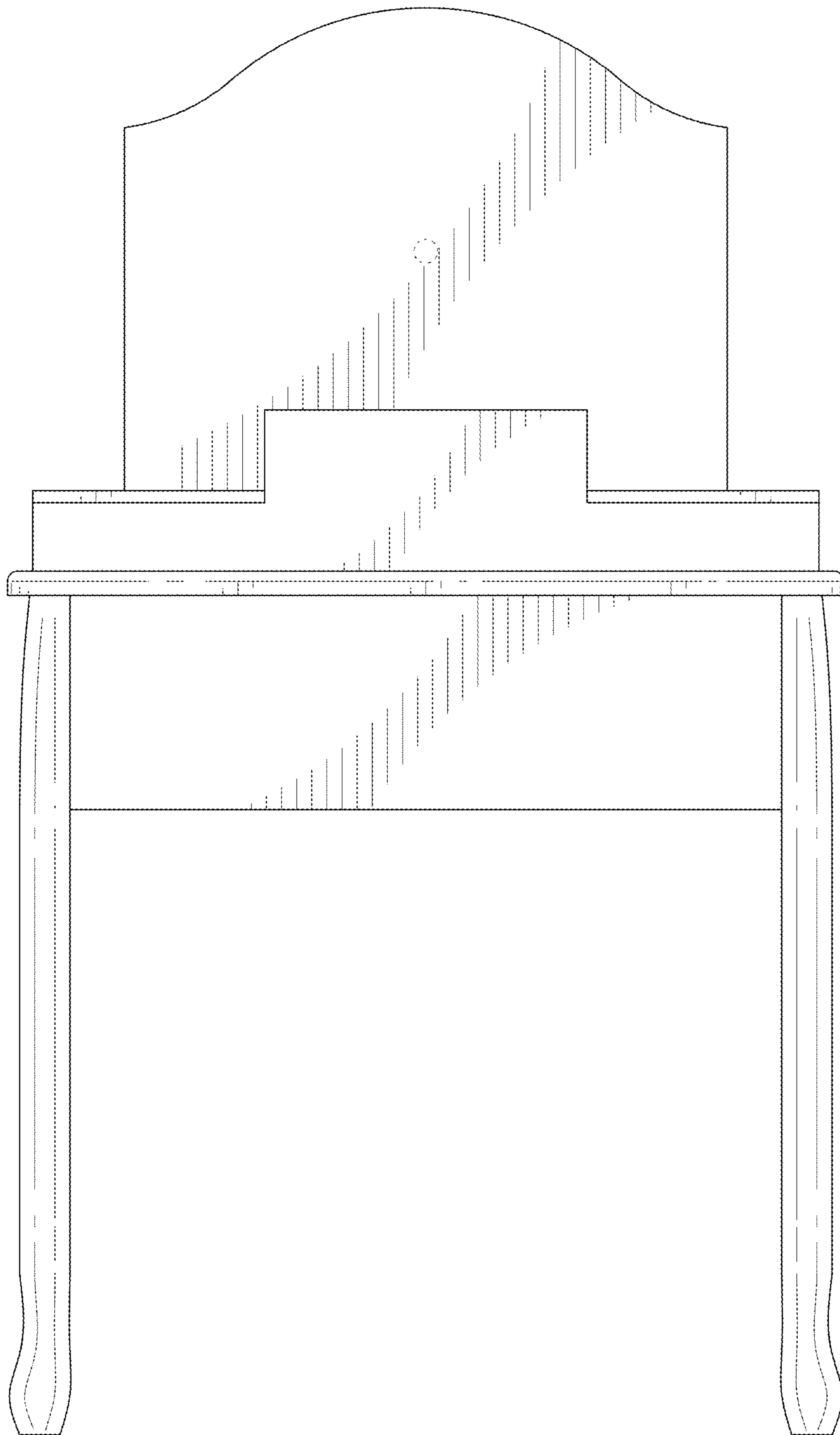


FIG. 2

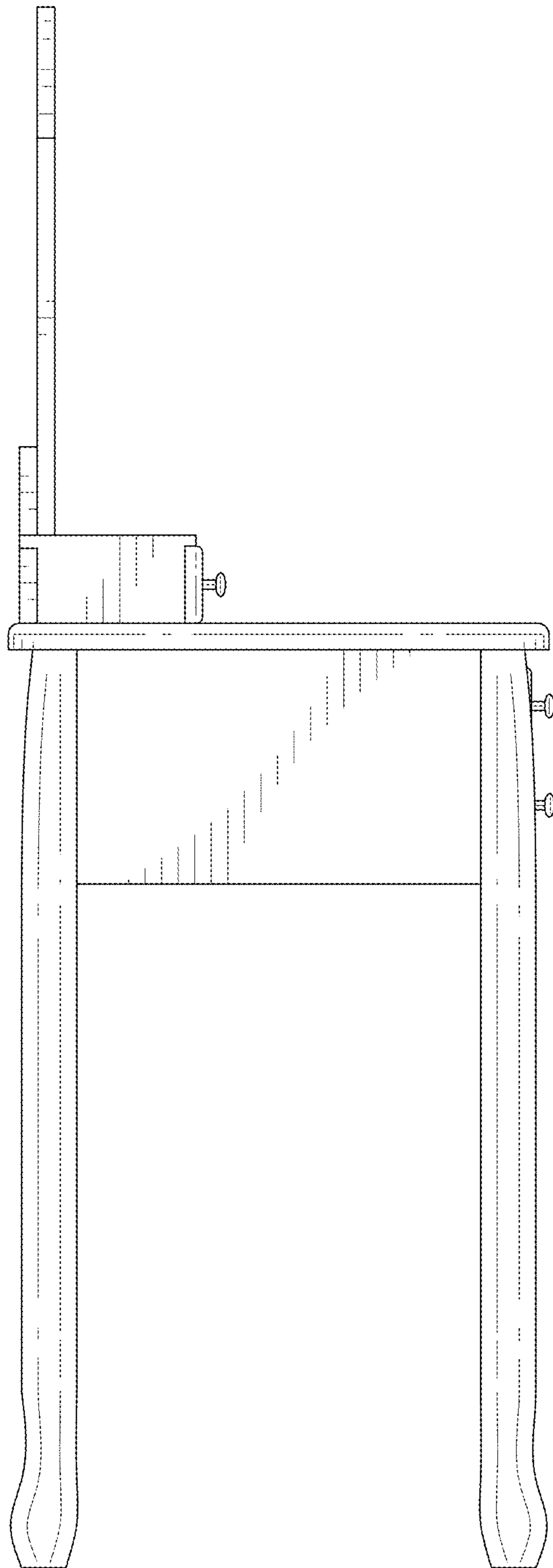


FIG. 3

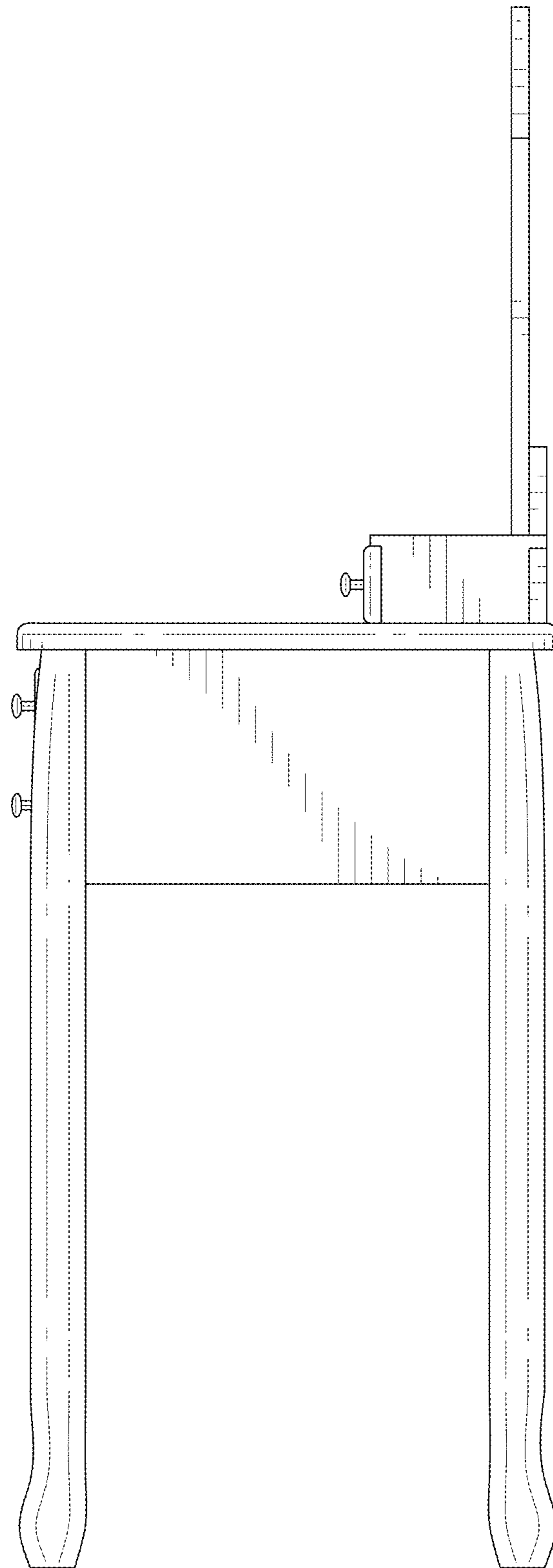


FIG. 4

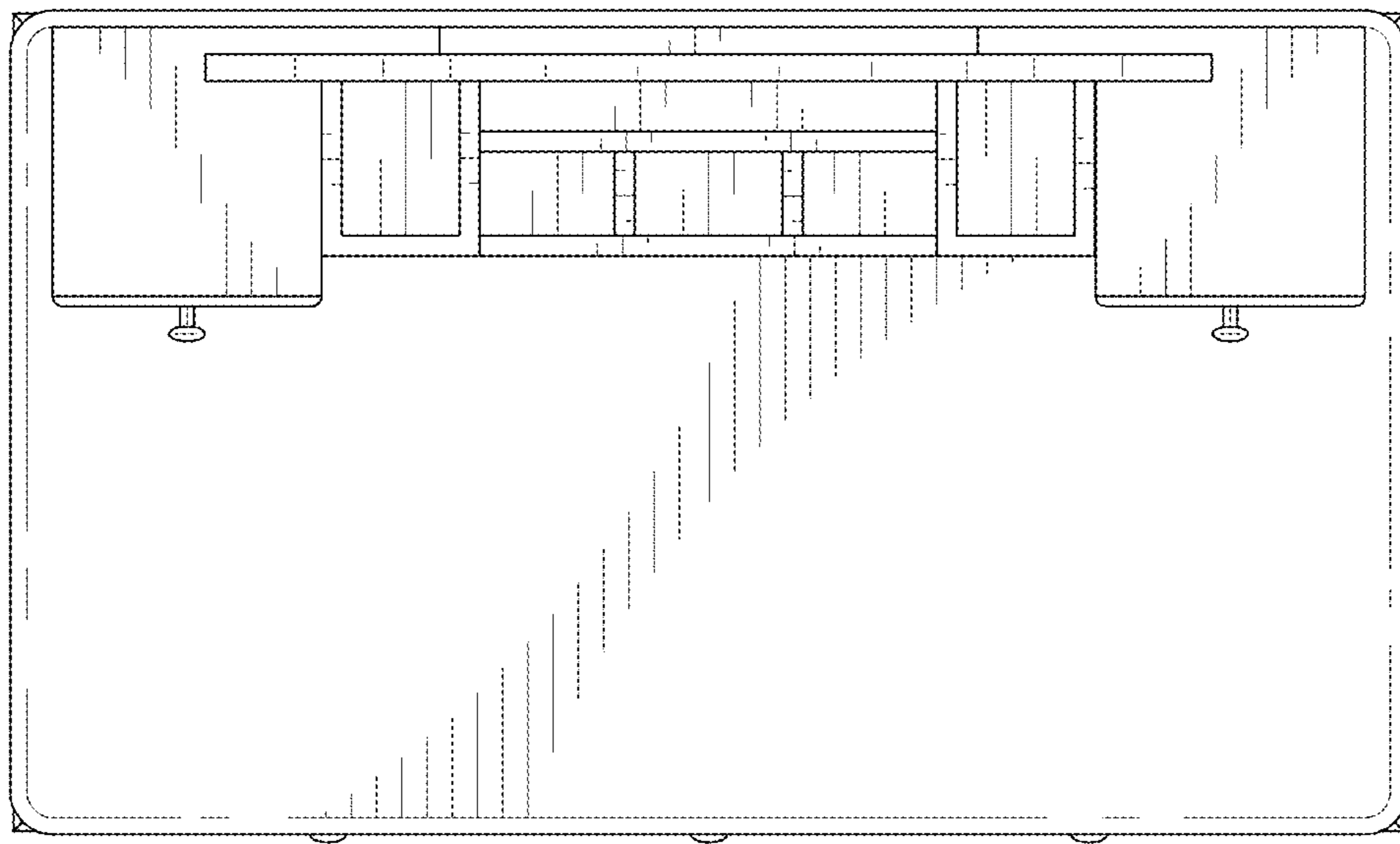


FIG. 5

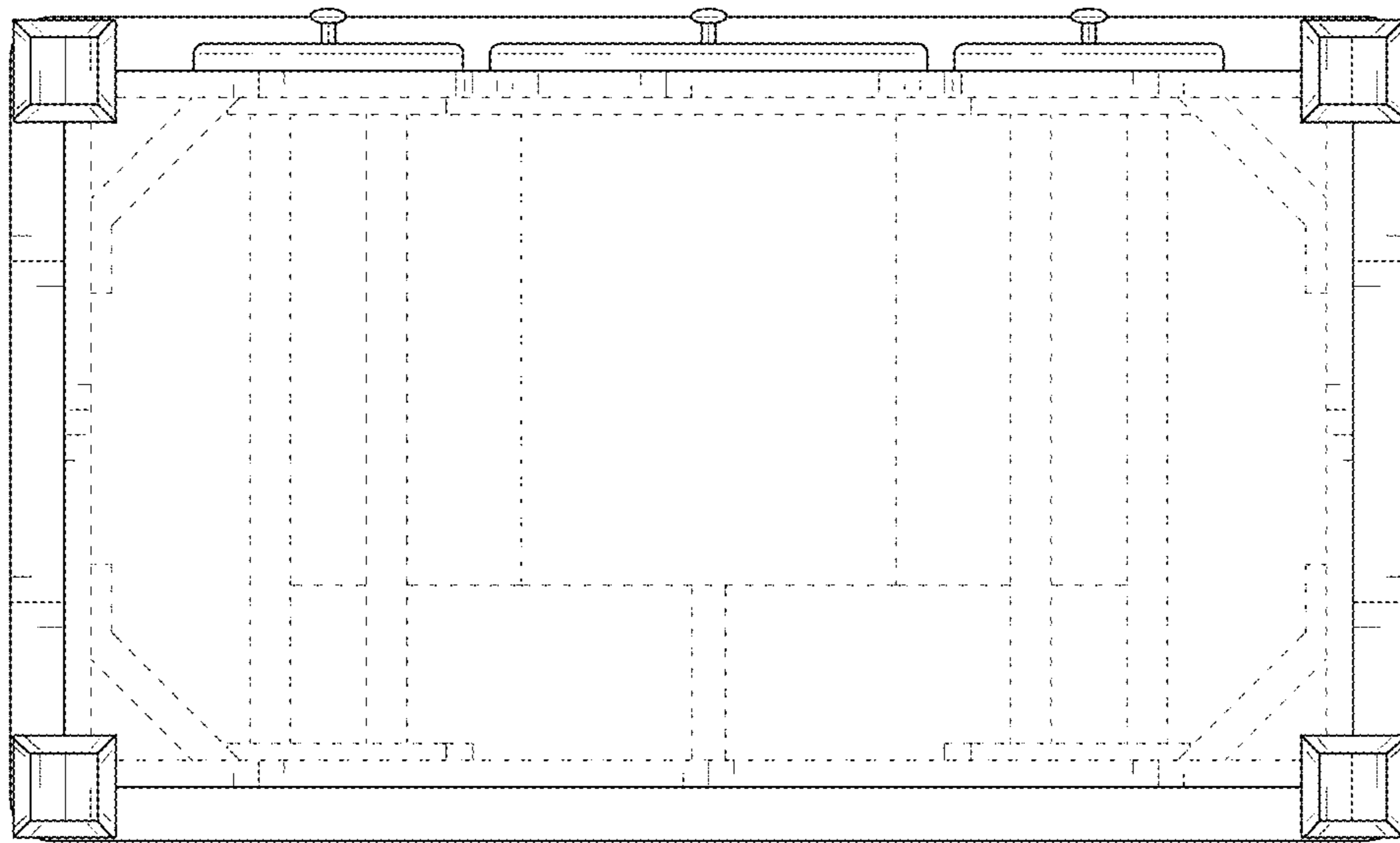


FIG. 6

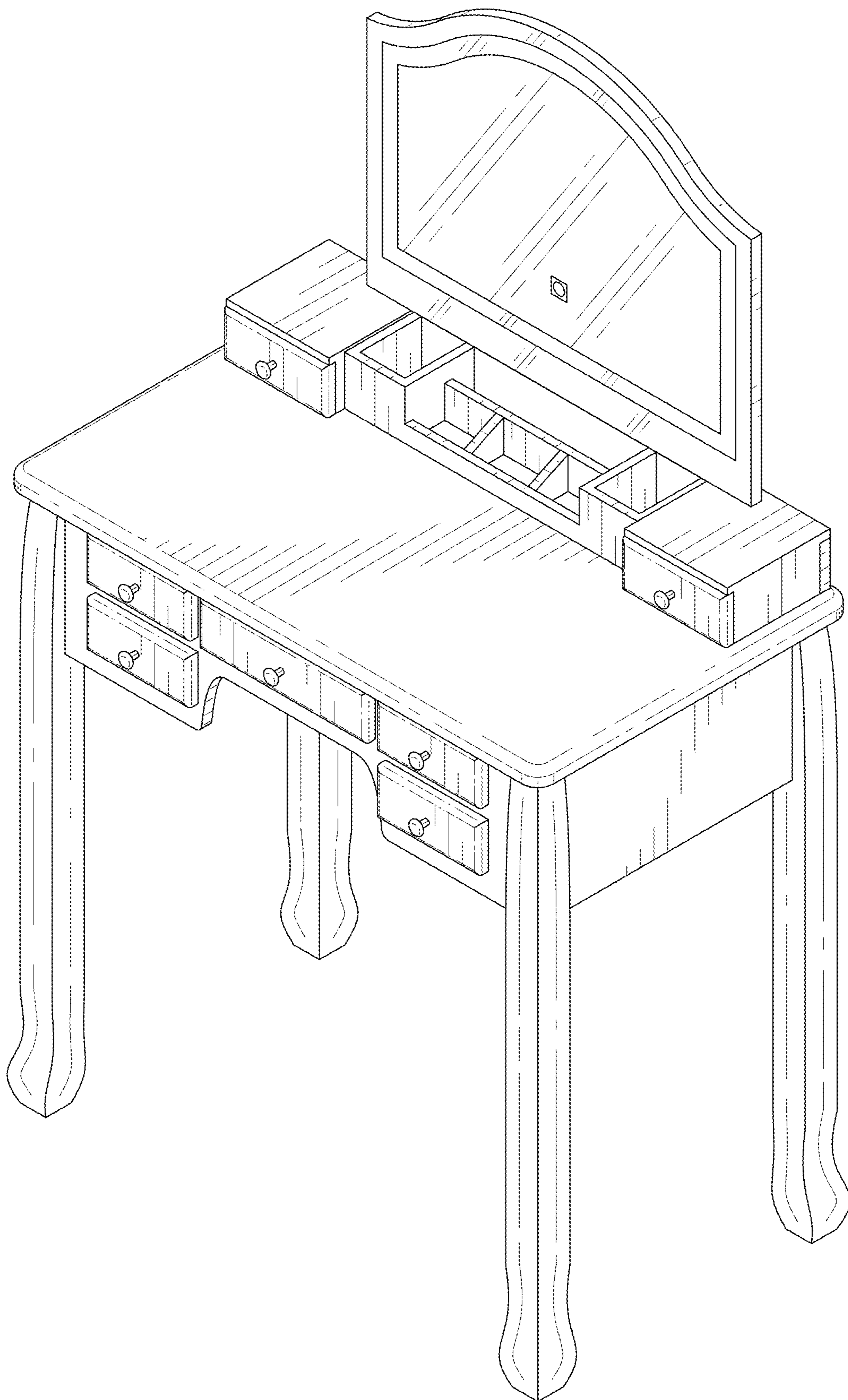


FIG. 7