



US00D936394S

(12) **United States Design Patent** (10) **Patent No.:** **US D936,394 S**
Liu (45) **Date of Patent:** **** Nov. 23, 2021**

(54) **STORAGE TABLE**
(71) Applicant: **Xuan Liu**, Shenzhen (CN)
(72) Inventor: **Xuan Liu**, Shenzhen (CN)
(**) Term: **15 Years**
(21) Appl. No.: **29/750,768**
(22) Filed: **Sep. 16, 2020**
(51) **LOC (13) Cl.** **06-03**
(52) **U.S. Cl.**
USPC **D6/655.1**
(58) **Field of Classification Search**
USPC D6/641, 642, 655, 655.1, 655.2, 655.11,
D6/655.12, 655.17-655.19, 685, 686, 690,
D6/691.1-691.9
CPC .. A47B 7/00; A47B 9/00; A47B 13/00; A47B
13/02; A47B 13/04; A47B 13/06; A47B
13/08; A47B 13/10; A47B 13/12; A47B
17/00; A47B 17/003; A47B 17/006; A47B
21/00; A47B 2200/0001; A47B
2200/0002; A47B 2200/0011; A47B
2200/002; A47B 2200/0066
See application file for complete search history.

(56) **References Cited**
U.S. PATENT DOCUMENTS
D168,525 S * 12/1952 Thomas D6/648
3,128,727 A * 4/1964 Rainwater A47B 3/10
108/129
D239,670 S * 4/1976 Varea D6/382
D278,108 S * 3/1985 Lyman 6/653.1
D279,740 S * 7/1985 Slager 6/653.11

D400,729 S * 11/1998 Stanford D6/653
D474,049 S 5/2003 Wakasugi et al.
D625,121 S 10/2010 Vignelli et al.
D697,344 S * 1/2014 Kerian D6/690
D768,418 S * 10/2016 Sock A47B 3/00
D6/690
D891,838 S * 8/2020 Risdall 6/691.9
2008/0237319 A1 * 10/2008 Hensey A47B 3/00
229/103

* cited by examiner

Primary Examiner — Mary Ann Calabrese

(74) *Attorney, Agent, or Firm* — W&KIP

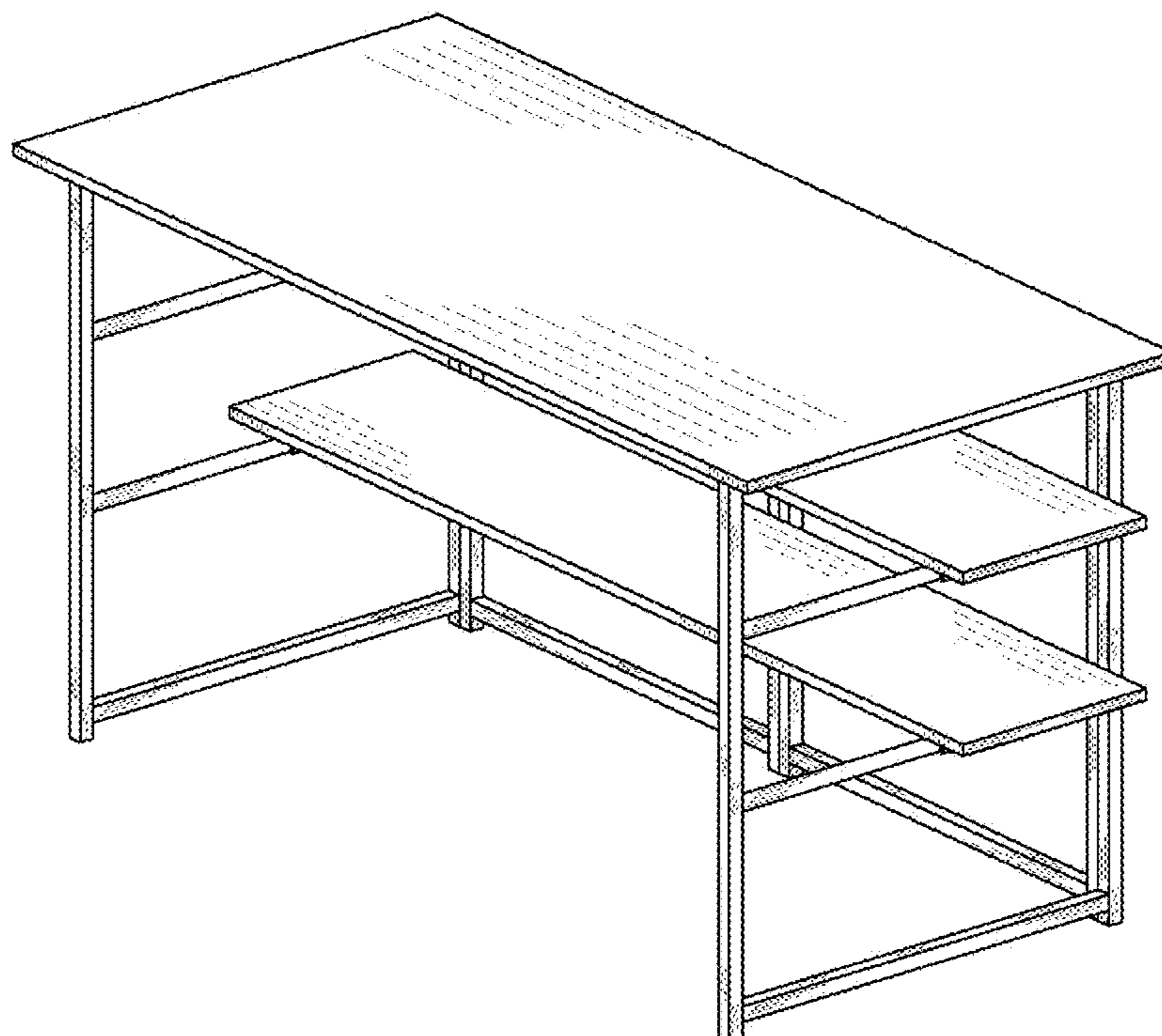
(57) **CLAIM**

The ornamental design for a storage table, as shown and described.

DESCRIPTION

FIG. 1 is a top perspective view of a storage table showing my new design;
FIG. 2 is bottom perspective view thereof;
FIG. 3 is top perspective view shown in a first alternative configuration thereof;
FIG. 4 is top perspective view shown in a second alternative configuration thereof;
FIG. 5 is a front view of the configuration shown in FIG. 1;
FIG. 6 is a rear view thereof;
FIG. 7 is a left side view thereof;
FIG. 8 is a right side view thereof;
FIG. 9 is a top plan view thereof; and,
FIG. 10 is a bottom plan view thereof.
In the drawings, the broken lines show portions of the storage table that form no part of the claimed design.

1 Claim, 10 Drawing Sheets



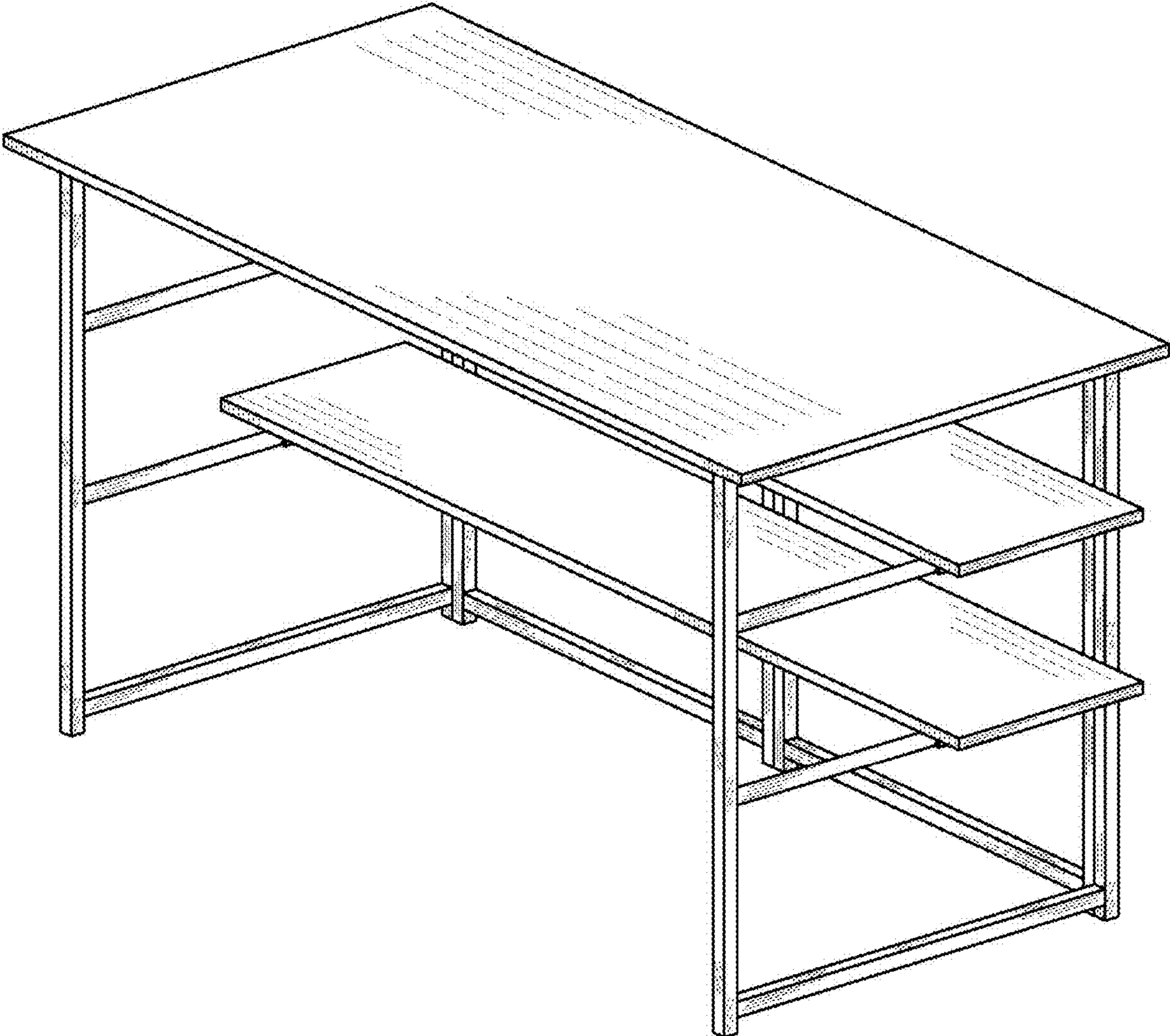


FIG.1

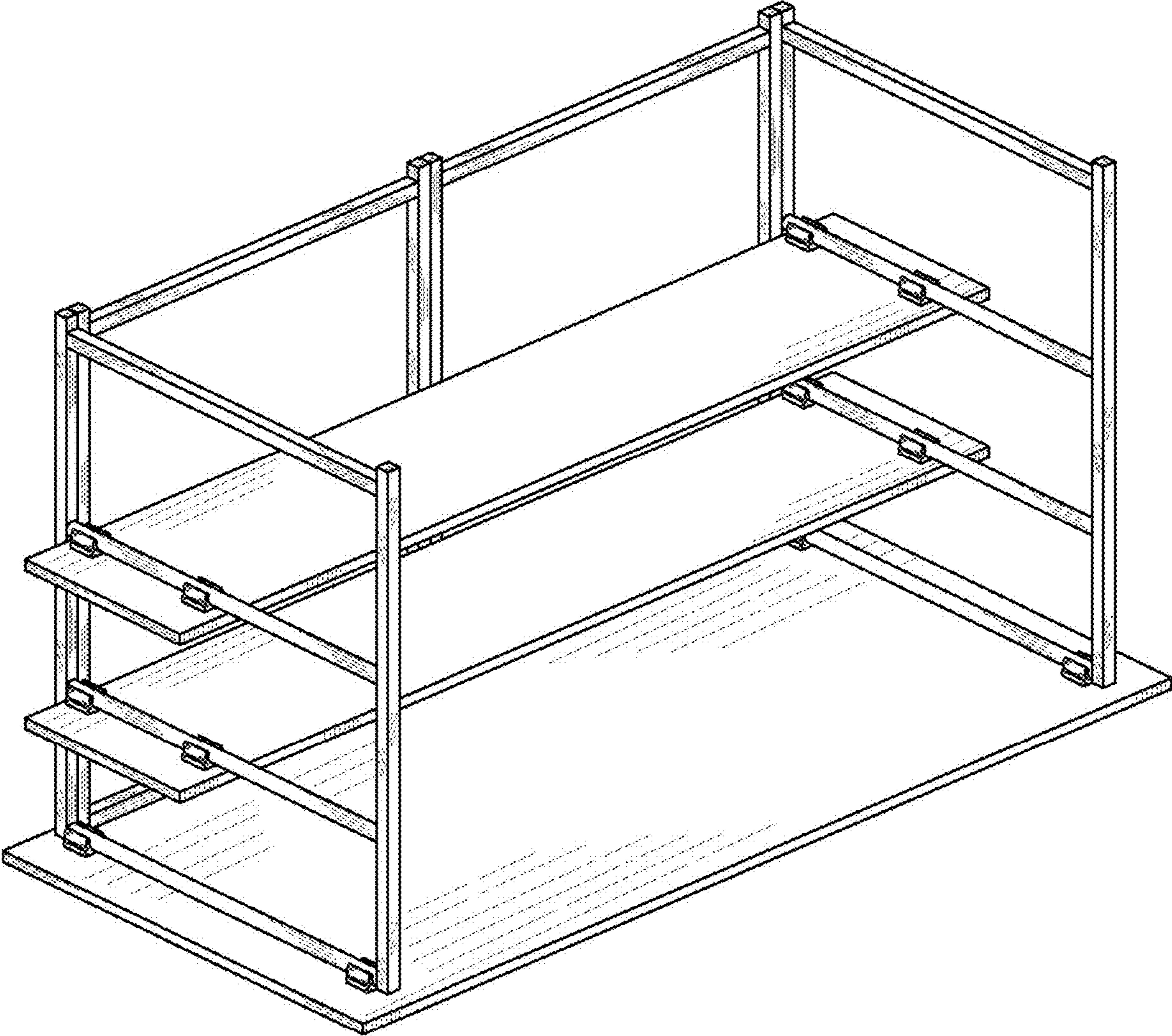


FIG.2

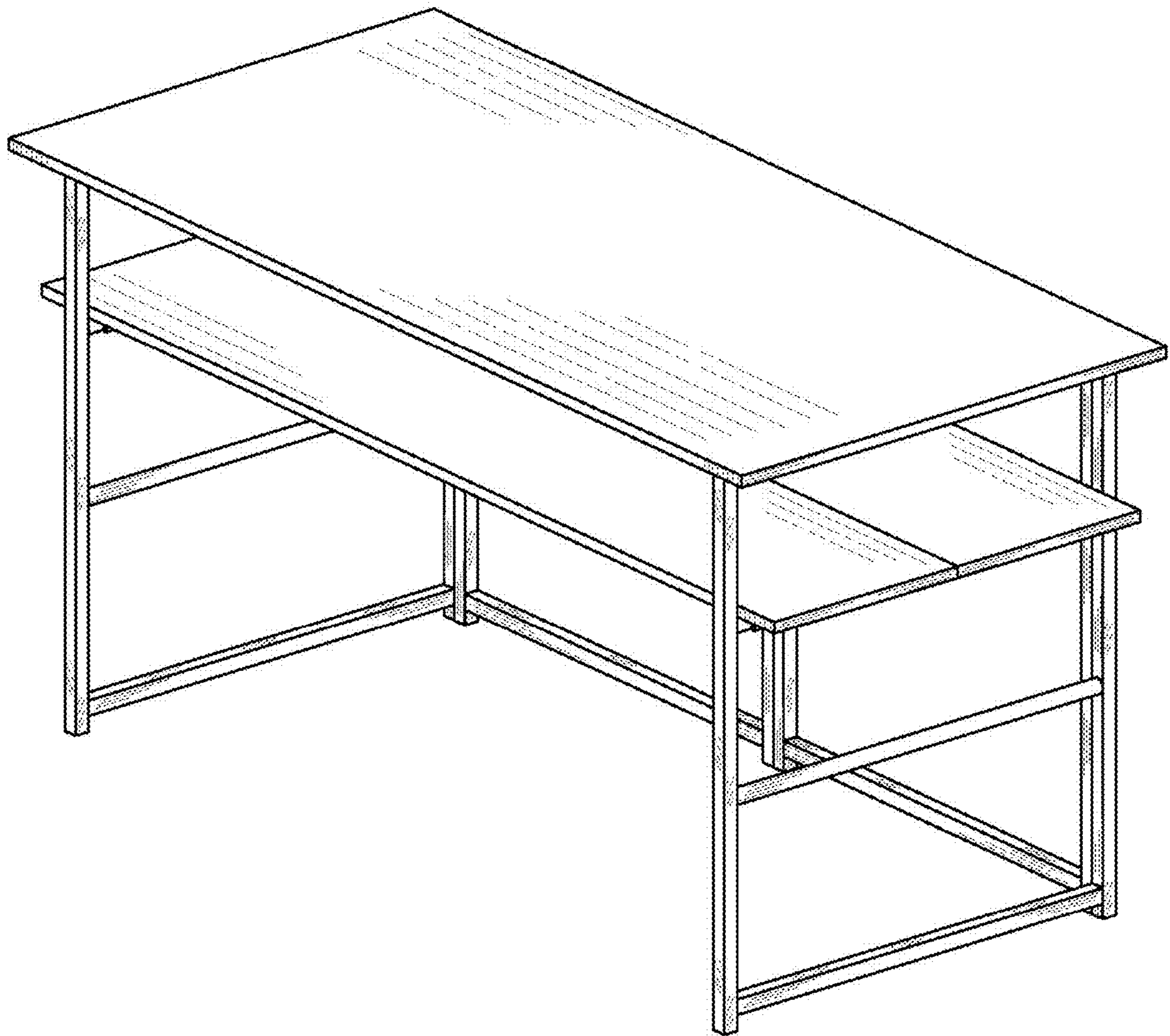


FIG.3

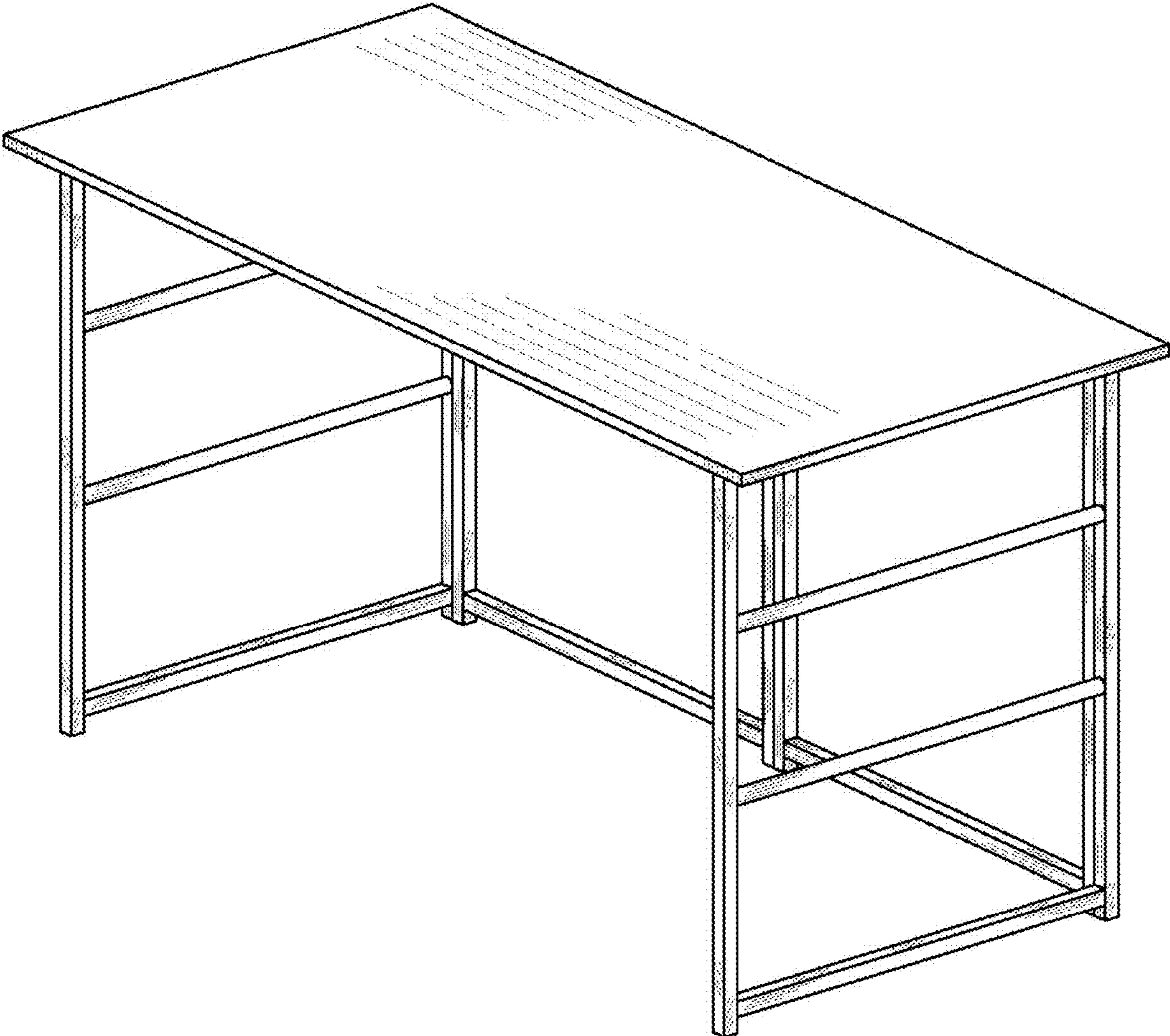


FIG.4

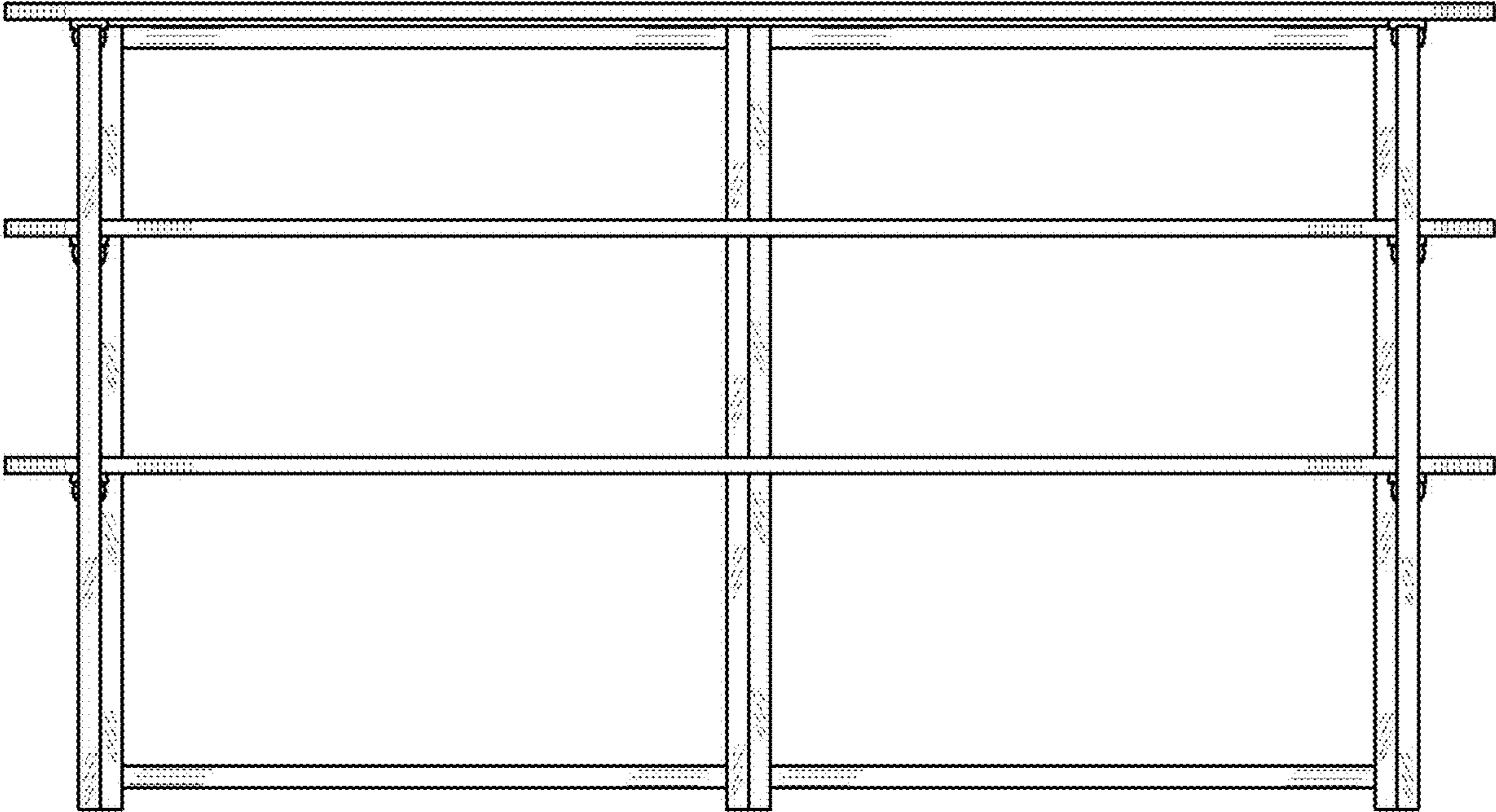


FIG.5

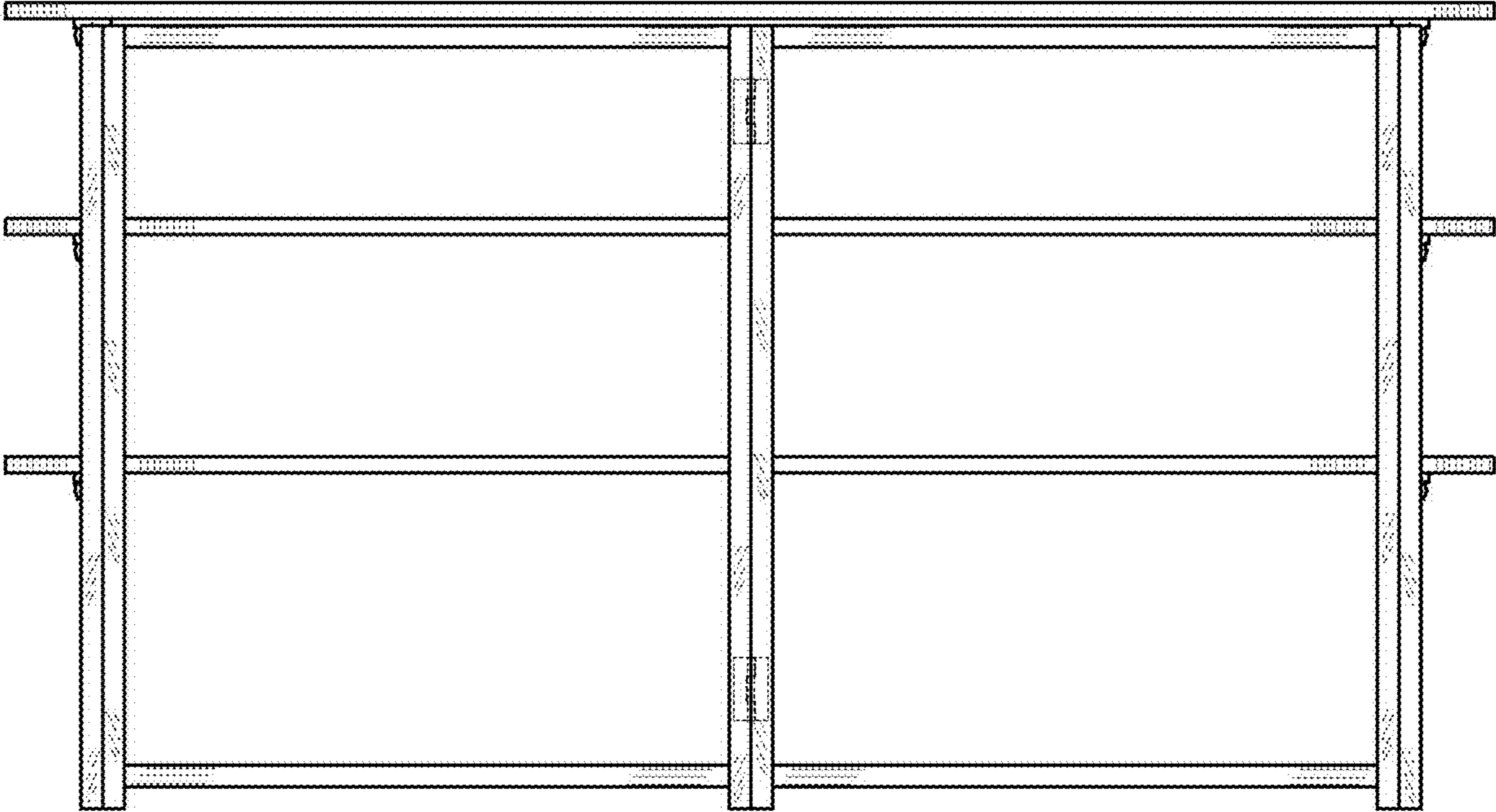


FIG.6

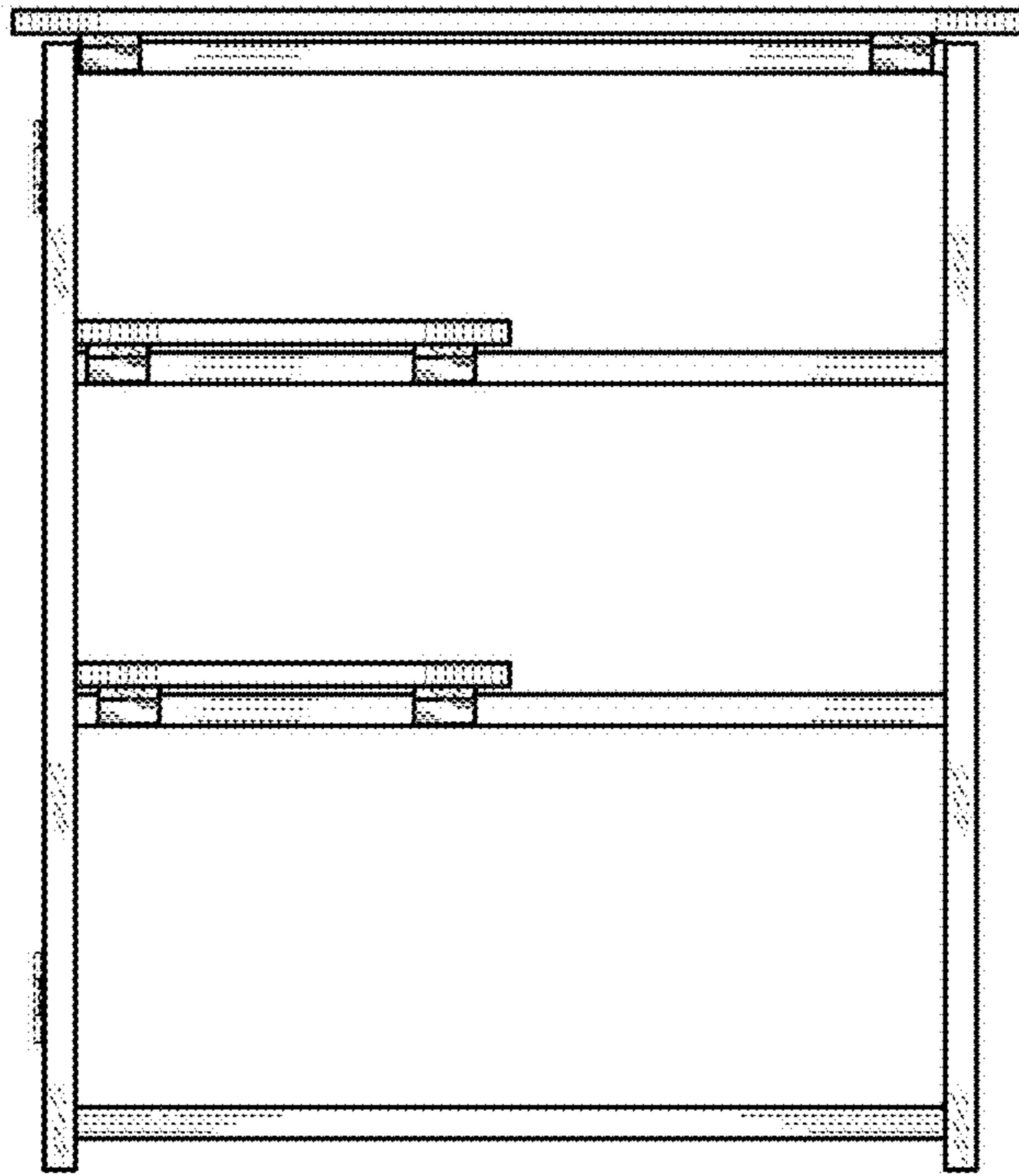


FIG.7

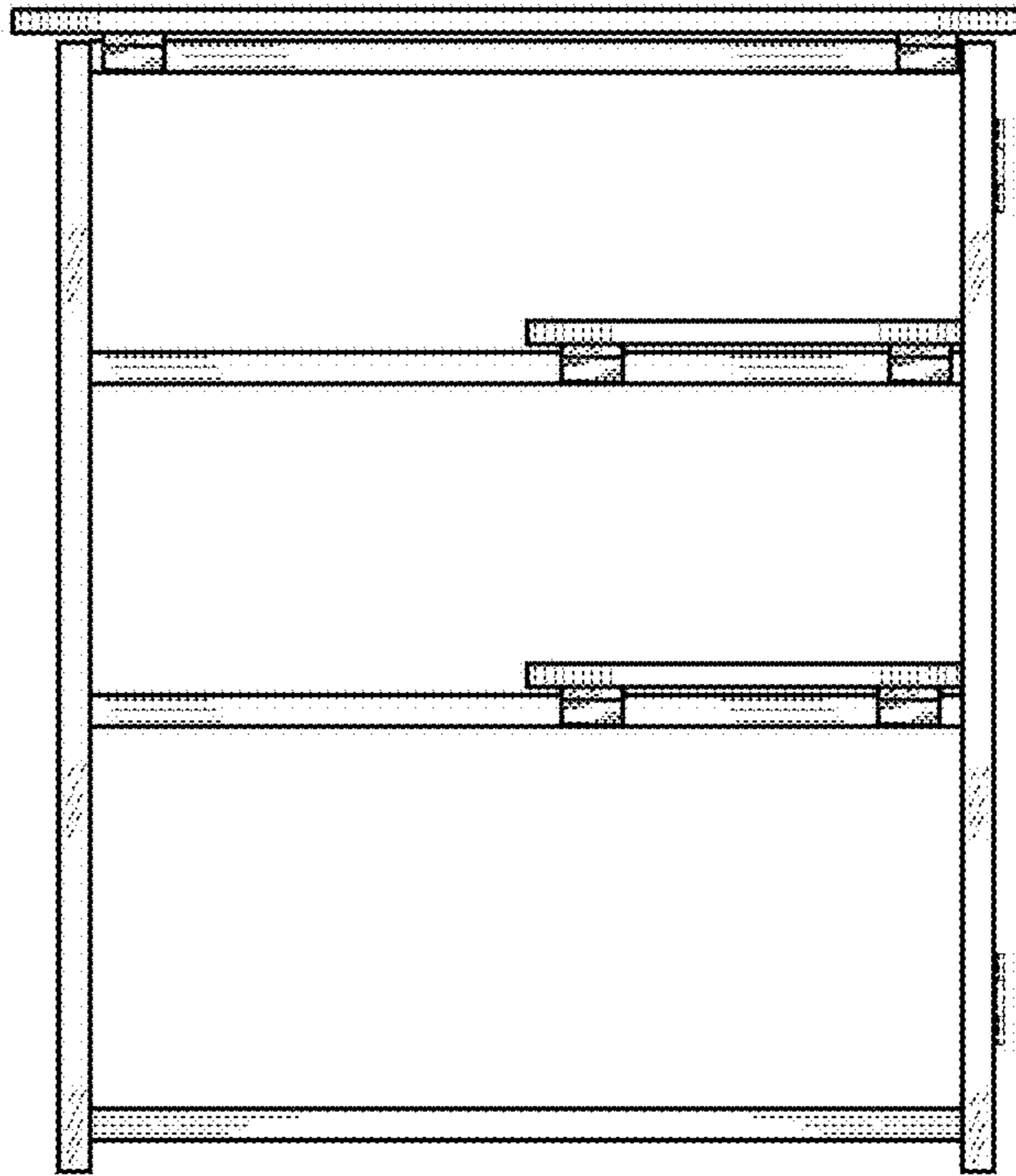


FIG.8

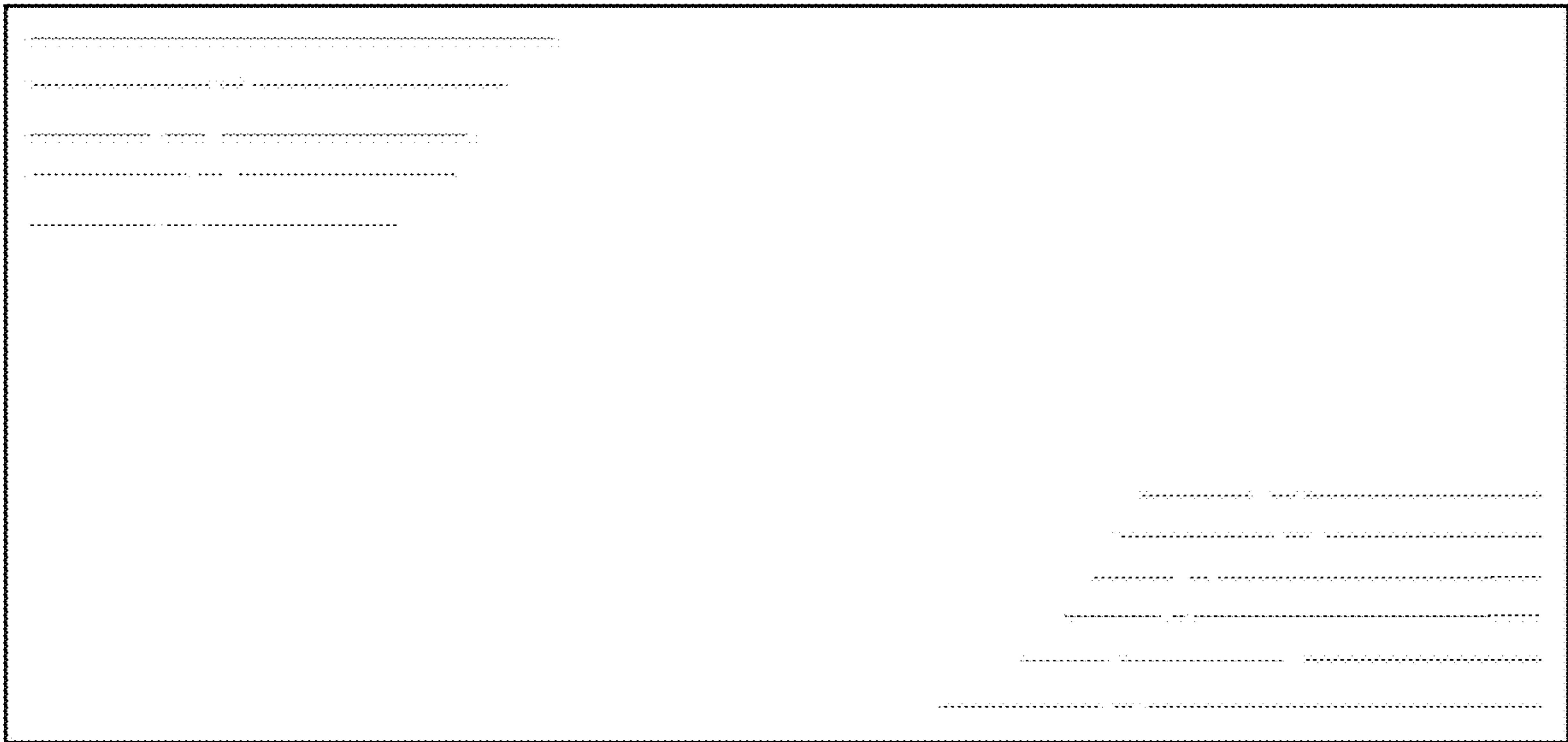


FIG.9

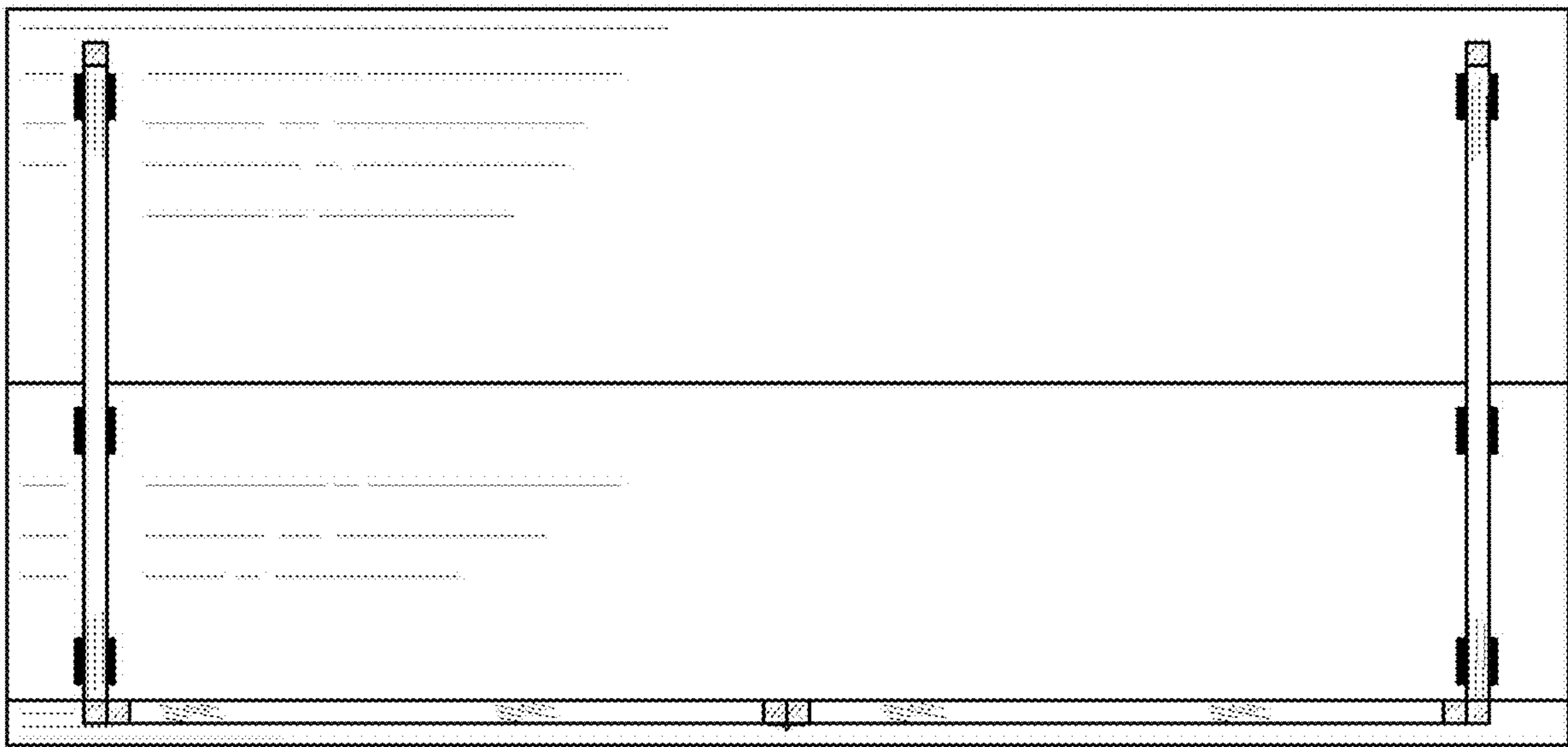


FIG.10