



US00D936391S

(12) **United States Design Patent** (10) **Patent No.:** **US D936,391 S**  
**Xiang** (45) **Date of Patent:** **\*\* Nov. 23, 2021**

(54) **WEDGE PILLOW SET**

FOREIGN PATENT DOCUMENTS

(71) Applicant: **Qingdao Jinxiang Tongzhen Textile Co., Ltd.**, Shandong (CN)

EM 008537849-0001 \* 5/2021  
EM 008537849-0002 \* 5/2021

(Continued)

(72) Inventor: **Zhaopeng Xiang**, Sichuan (CN)

OTHER PUBLICATIONS

(73) Assignee: **Qingdao Jinxiang Tongzhen Textile Co., Ltd.**, Shandong (CN)

Google search: "intercourse pillow" [site visited Sep. 29, 2021]:  
[https://www.google.com/search?q=intercourse+pillow&hl=en&sxsrf=AOaemvl0J1Ha1PuCs-cht5Dj5mVd-xvrwg:1632926620563&source=lnms&tbn=isch&sa=X&ved=2ahUKEwiBi6bZtaTzAhXcGVkFHY15B9UQ\\_AUoAXoECAEQAw&biw=1184&bih=920&dpr=1](https://www.google.com/search?q=intercourse+pillow&hl=en&sxsrf=AOaemvl0J1Ha1PuCs-cht5Dj5mVd-xvrwg:1632926620563&source=lnms&tbn=isch&sa=X&ved=2ahUKEwiBi6bZtaTzAhXcGVkFHY15B9UQ_AUoAXoECAEQAw&biw=1184&bih=920&dpr=1) (Year: 2021).\*

(Continued)

(\*\*) Term: **15 Years**

*Primary Examiner* — Sanjeev Paul

(21) Appl. No.: **29/780,751**

(74) *Attorney, Agent, or Firm* — ScienBiziP, P.C.

(22) Filed: **Apr. 26, 2021**

(51) **LOC (13) Cl.** ..... **06-09**

(52) **U.S. Cl.**  
USPC ..... **D6/601**

(58) **Field of Classification Search**  
USPC ..... D6/333, 349, 355, 375, 388, 512, 563, D6/564, 595, 596, 601, 604, 611, 707, D6/715, 716, 716.1; 5/401, 420, 600, 5/630, 631, 632, 633, 635, 636, 638, 639, 5/646, 652, 652.1, 655, 703, 730, 490, 5/491; 297/401, 420, 600, 630, 631, 632, 297/633, 635, 636, 638, 639, 646, 652, 297/652.1, 655, 703, 730

CPC ..... A47G 9/0253; A47G 9/10; A47G 2009/1018; A47G 2009/003; A47G 9/1027; A47G 9/1036; A47G 9/1054; A47G 9/1063; A47G 9/1072; A47G 9/1081; A47G 9/109; A45F 4/06; A47C 21/06; A47C 7/18; A47C 20/00

See application file for complete search history.

(57) **CLAIM**

The ornamental design for a wedge pillow set, as shown and described.

**DESCRIPTION**

FIG. 1 is a front, right, and top perspective view of a wedge pillow set, showing my design.  
FIG. 2 is a rear, left, and bottom perspective view thereof.  
FIG. 3 is a front elevation view thereof.  
FIG. 4 is a rear elevation view thereof.  
FIG. 5 is a left side elevation view thereof.  
FIG. 6 is a right side elevation view thereof.  
FIG. 7 is a top plan view thereof; and,  
FIG. 8 is a bottom plan view thereof.  
The broken lines shown in the drawings are included for the purpose of illustrating portions of the wedge pillow set that form no part of the claimed design.

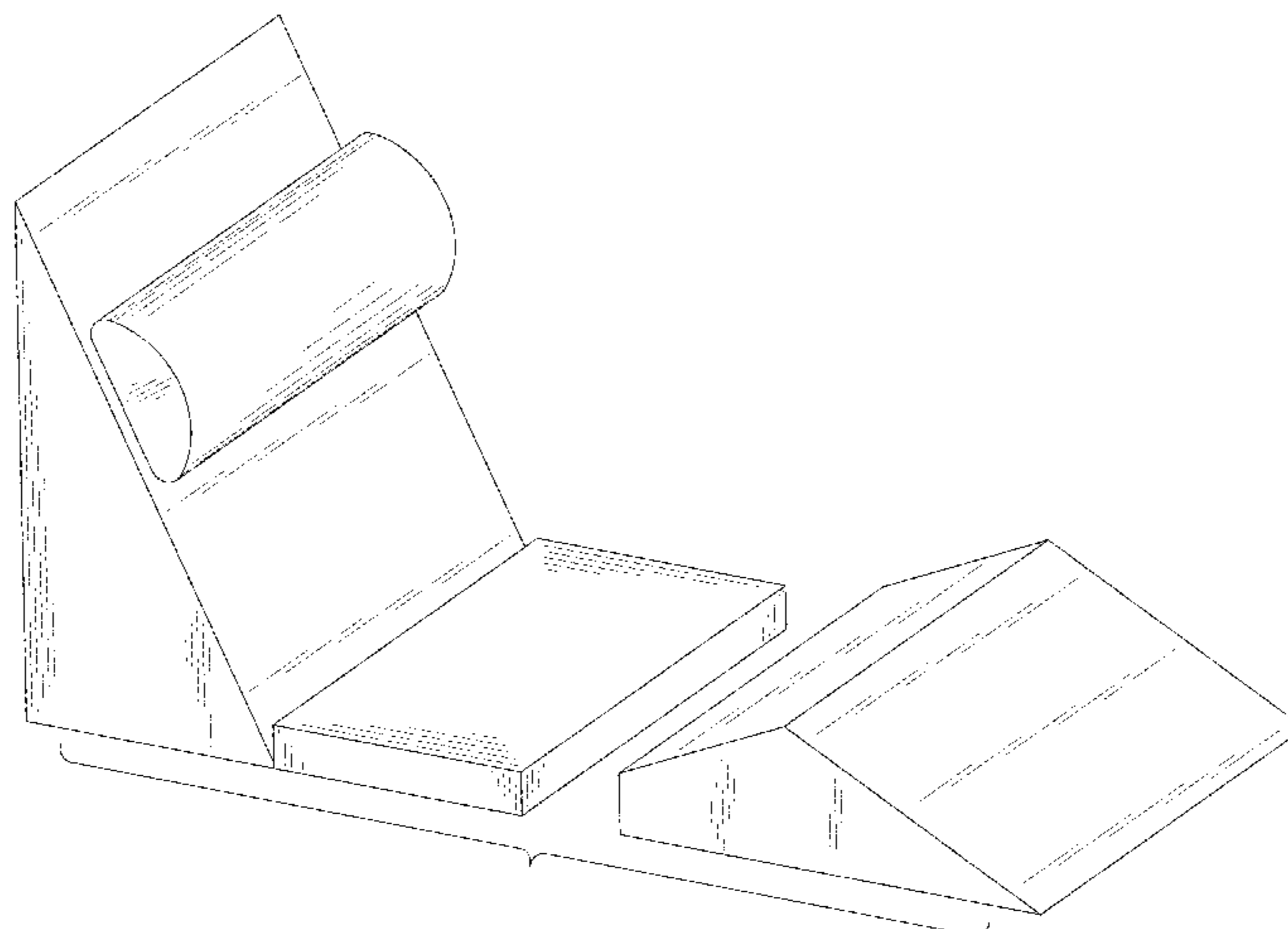
(56) **References Cited**

U.S. PATENT DOCUMENTS

2,940,087 A \* 6/1960 Kiefer ..... A47G 9/10 5/642  
3,009,172 A \* 11/1961 Eidam ..... A47G 9/10 5/632  
3,143,803 A \* 8/1964 Lunn ..... A61G 15/14 433/33  
D211,721 S \* 7/1968 Radford ..... D6/601

(Continued)

**1 Claim, 8 Drawing Sheets**



(56)

References Cited

U.S. PATENT DOCUMENTS

3,555,582 A \* 1/1971 Redford ..... A47G 9/10  
5/632  
3,648,308 A \* 3/1972 Greenawalt ..... A47G 9/1081  
5/632  
3,680,917 A \* 8/1972 Harris ..... A47C 4/54  
297/452.41  
3,742,526 A \* 7/1973 Lillard ..... A47C 17/045  
5/12.1  
3,763,509 A \* 10/1973 Mittendorf ..... A47G 9/10  
5/640  
3,775,785 A \* 12/1973 Mittendorf ..... A47G 9/10  
5/640  
D246,816 S \* 1/1978 Tam ..... D6/596  
4,193,150 A \* 3/1980 Vineberg ..... A47C 20/027  
297/DIG. 1  
4,473,913 A \* 10/1984 Ylvisaker ..... A47C 20/021  
5/632  
4,484,781 A \* 11/1984 Phelps ..... A47C 3/16  
297/452.41  
D276,938 S \* 12/1984 Pedersen ..... 5/636  
D282,803 S \* 3/1986 Righini ..... 5/636  
4,635,306 A \* 1/1987 Willey ..... A47C 3/16  
5/632  
D289,354 S \* 4/1987 Willey ..... D6/601  
D301,166 S \* 5/1989 Miklja ..... D24/183  
4,970,742 A \* 11/1990 Keener ..... A47C 20/027  
5/633  
D318,392 S \* 7/1991 Edelson ..... D6/601  
D319,365 S \* 8/1991 Edelson ..... D6/601  
5,105,489 A \* 4/1992 Meyer ..... A61F 5/01  
297/452.23  
D326,976 S \* 6/1992 Wickis, Jr ..... D24/183  
D328,349 S \* 7/1992 Waldrop ..... D24/183  
D334,107 S \* 3/1993 Johnson ..... D6/601  
D343,001 S \* 1/1994 Boland ..... D24/183  
D353,004 S \* 11/1994 Boland ..... D24/183  
5,432,967 A \* 7/1995 Raftery ..... A47C 16/005  
5/633  
D360,796 S \* 8/1995 Goldado ..... 5/648  
D368,199 S \* 3/1996 Winslow ..... 5/419  
D369,054 S \* 4/1996 Straub ..... D24/183  
D369,934 S \* 5/1996 Straub ..... D24/183  
D372,160 S \* 7/1996 Morgan ..... D6/596  
D378,615 S \* 3/1997 Neviasser ..... D24/190  
D390,665 S \* 2/1998 Kennemore ..... D24/183  
D398,181 S \* 9/1998 Lange ..... D6/596  
5,815,862 A \* 10/1998 Rygiel ..... A61G 7/05769  
5/632  
D400,386 S \* 11/1998 Keilhauer ..... D6/601  
D406,718 S \* 3/1999 Jacobs ..... D6/601  
D407,259 S \* 3/1999 Jackson ..... D6/604  
5,899,838 A \* 5/1999 Jacobs ..... A47C 1/146  
482/142  
6,154,904 A \* 12/2000 Ehredt ..... A45C 3/10  
5/639  
D446,676 S \* 8/2001 Mayes ..... D6/601  
6,334,442 B1 \* 1/2002 Altamura ..... A61G 7/05707  
128/845  
D462,557 S \* 9/2002 Scheetz ..... D6/601  
D466,750 S \* 12/2002 Landvik ..... D6/601  
6,823,545 B1 \* 11/2004 Davis ..... A47C 16/02  
5/630

D500,622 S \* 1/2005 Owen ..... D6/596  
D521,301 S \* 5/2006 Dickson ..... D6/601  
D531,315 S \* 10/2006 Caudra ..... D24/183  
D543,064 S \* 5/2007 Hale ..... D6/596  
D543,407 S \* 5/2007 Thom ..... D6/604  
D546,107 S \* 7/2007 Babcock ..... D6/601  
D565,131 S \* 3/2008 Decker ..... D21/686  
D566,448 S \* 4/2008 Ridder ..... D24/183  
D578,219 S \* 10/2008 Daggett ..... D24/183  
D610,852 S \* 3/2010 Rothschild ..... D6/601  
D616,238 S \* 5/2010 Sullivan ..... D6/601  
D635,265 S \* 3/2011 Coffey ..... D24/183  
D637,030 S \* 5/2011 Khandai ..... D6/601  
D642,412 S \* 8/2011 Cuba ..... D6/601  
D771,414 S \* 11/2016 Krishtul ..... D6/601  
D800,852 S \* 10/2017 Flook ..... D21/671  
D805,325 S \* 12/2017 Chan ..... D6/601  
D809,825 S \* 2/2018 Clores ..... D6/601  
D821,780 S \* 7/2018 Strandberg ..... D6/596  
D833,628 S \* 11/2018 Davis ..... D24/190  
D856,706 S \* 8/2019 Moffett ..... D6/601  
D864,612 S \* 10/2019 Castellano ..... D6/601  
D875,412 S \* 2/2020 Davis, III ..... D6/361  
D882,296 S \* 4/2020 Huang ..... D6/601  
D897,734 S \* 10/2020 Moffett ..... D6/601  
D900,495 S \* 11/2020 Zhou ..... D6/361  
D906,733 S \* 1/2021 Graham ..... D6/601  
D907,399 S \* 1/2021 Pavlin ..... D6/601  
D907,941 S \* 1/2021 Chanfrau, IV ..... D6/601  
D911,748 S \* 3/2021 Luo ..... D6/601  
D911,750 S \* 3/2021 Chiang ..... D6/604  
D915,790 S \* 4/2021 Smythe ..... D6/601  
D917,931 S \* 5/2021 Xiaolang ..... D6/604  
D921,203 S \* 6/2021 Clark ..... D24/183  
D921,399 S \* 6/2021 Michover ..... D6/601  
D929,770 S \* 9/2021 Moore ..... D6/601  
2003/0038523 A1 \* 2/2003 Sands ..... A47C 3/16  
297/452.16  
2015/0164727 A1 \* 6/2015 Lopez ..... A61G 5/1091  
5/653  
2019/0365553 A1 \* 12/2019 Drivere ..... A61F 5/01  
2021/0030583 A1 \* 2/2021 Chanfrau, IV ..... A47G 9/1072

FOREIGN PATENT DOCUMENTS

GB 6133239 \* 4/2021  
GB 6133240 \* 4/2021

OTHER PUBLICATIONS

Google search: "wedge pillows for couples" [site visited Sep. 29, 2021]: [https://www.google.com/search?q=wedge+pillow+for+couples&sxsrf=AOaemvla\\_G5QjfvBT5O\\_ugJAlt-65lu49g:1632926693256&source=lnms&tbm=isch&sa=X&ved=2ahUKEwjPtv7taTzAhXSMikFHeLcBL0Q\\_AUoAnoECAEQBA&biw=1184&bih=920&dpr=1](https://www.google.com/search?q=wedge+pillow+for+couples&sxsrf=AOaemvla_G5QjfvBT5O_ugJAlt-65lu49g:1632926693256&source=lnms&tbm=isch&sa=X&ved=2ahUKEwjPtv7taTzAhXSMikFHeLcBL0Q_AUoAnoECAEQBA&biw=1184&bih=920&dpr=1) (Year: 2021).\*

Google search: "wedge pillows" [site visited Sep. 29, 2021]: [https://www.google.com/search?q=wedge+pillows&sxsrf=AOaemvlfvueQyApbgjQha09mjwuutHw3kw:1632926764180&source=lnms&tbm=isch&sa=X&ved=2ahUKEwiy9-OdtqTzAhV\\_F1kFHYi0AccQ\\_AUoAnoECAEQBA&biw=1184&bih=920&dpr=1](https://www.google.com/search?q=wedge+pillows&sxsrf=AOaemvlfvueQyApbgjQha09mjwuutHw3kw:1632926764180&source=lnms&tbm=isch&sa=X&ved=2ahUKEwiy9-OdtqTzAhV_F1kFHYi0AccQ_AUoAnoECAEQBA&biw=1184&bih=920&dpr=1) (Year: 2021).\*

\* cited by examiner

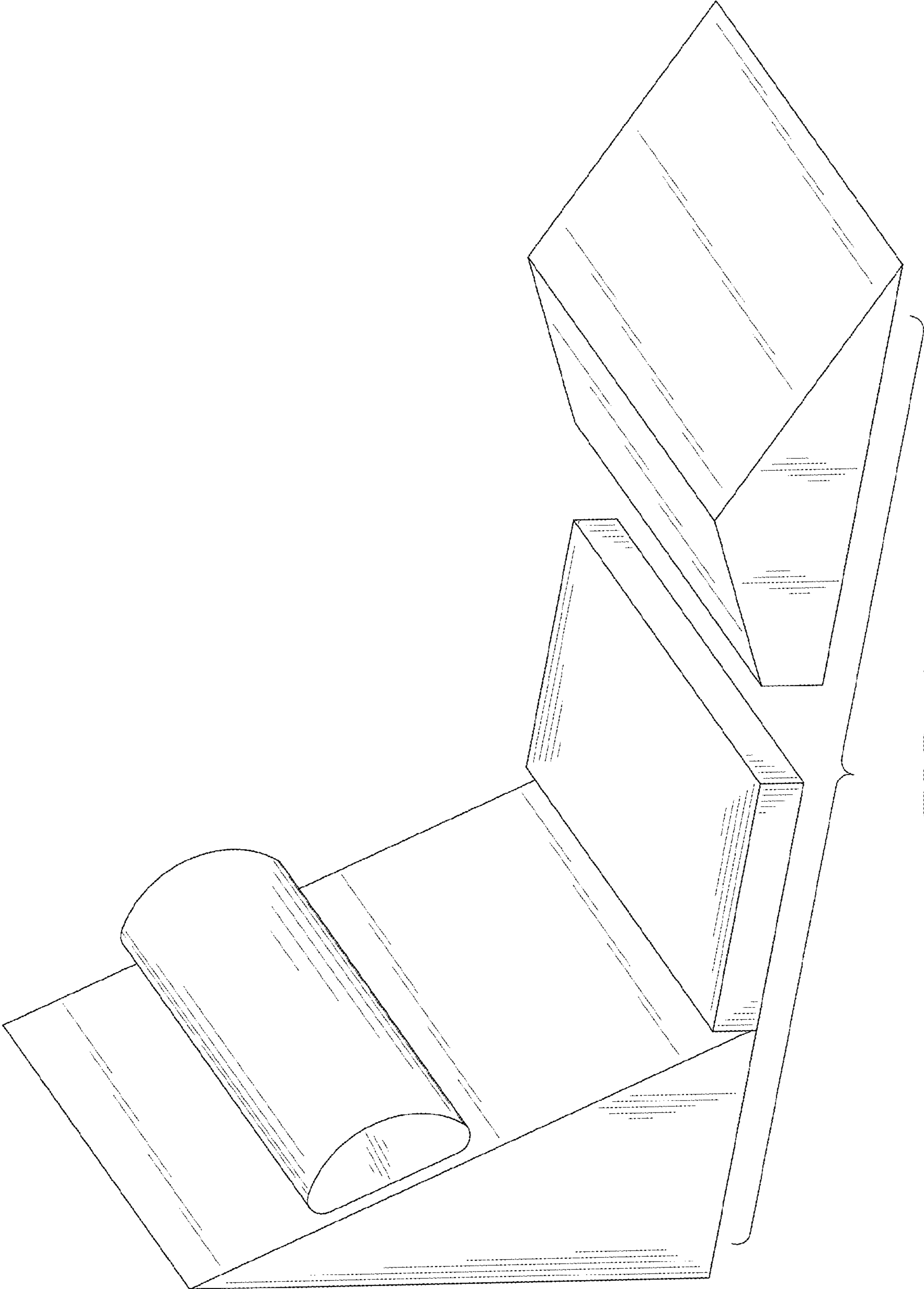


FIG. 1

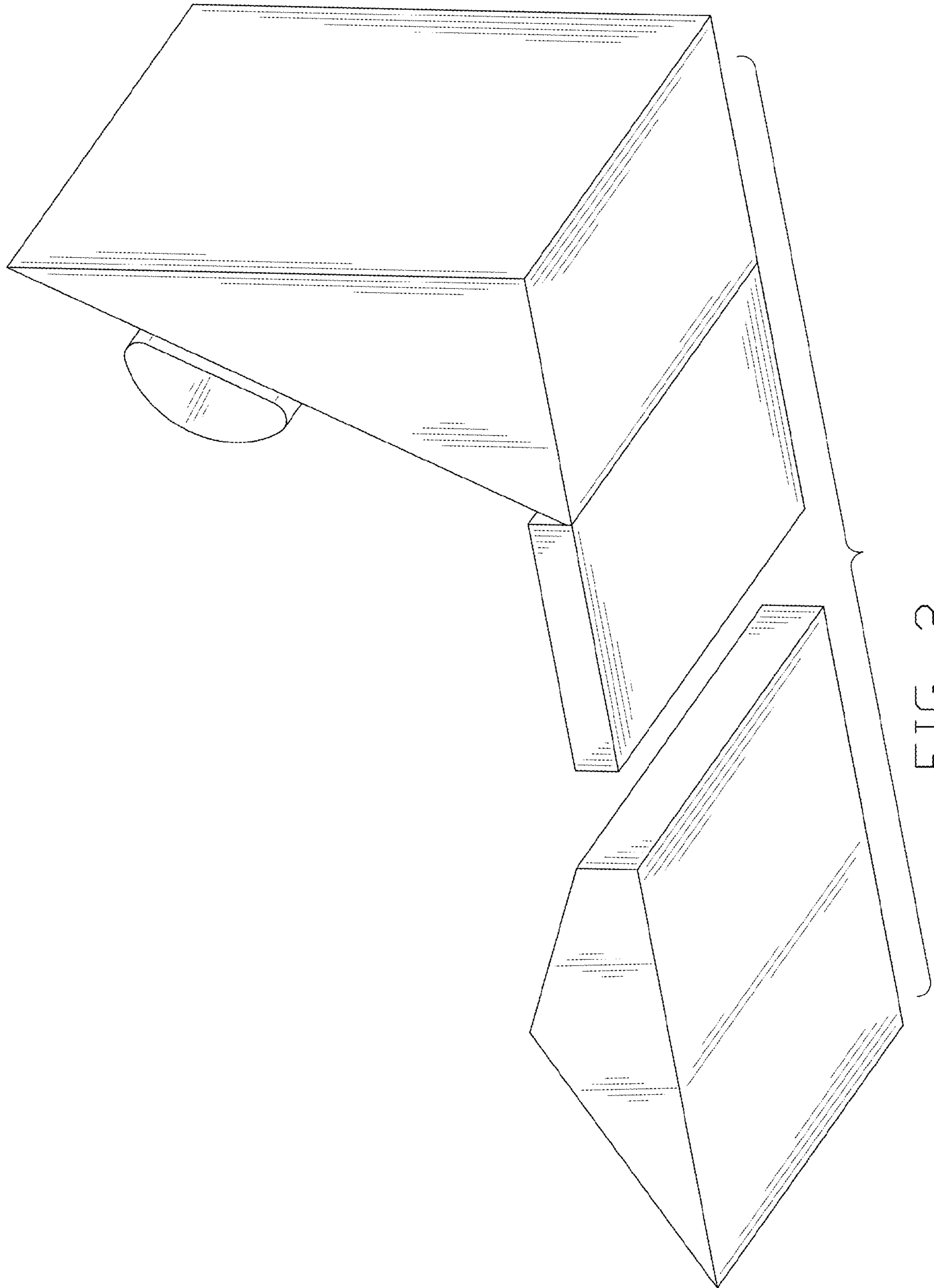


FIG. 2

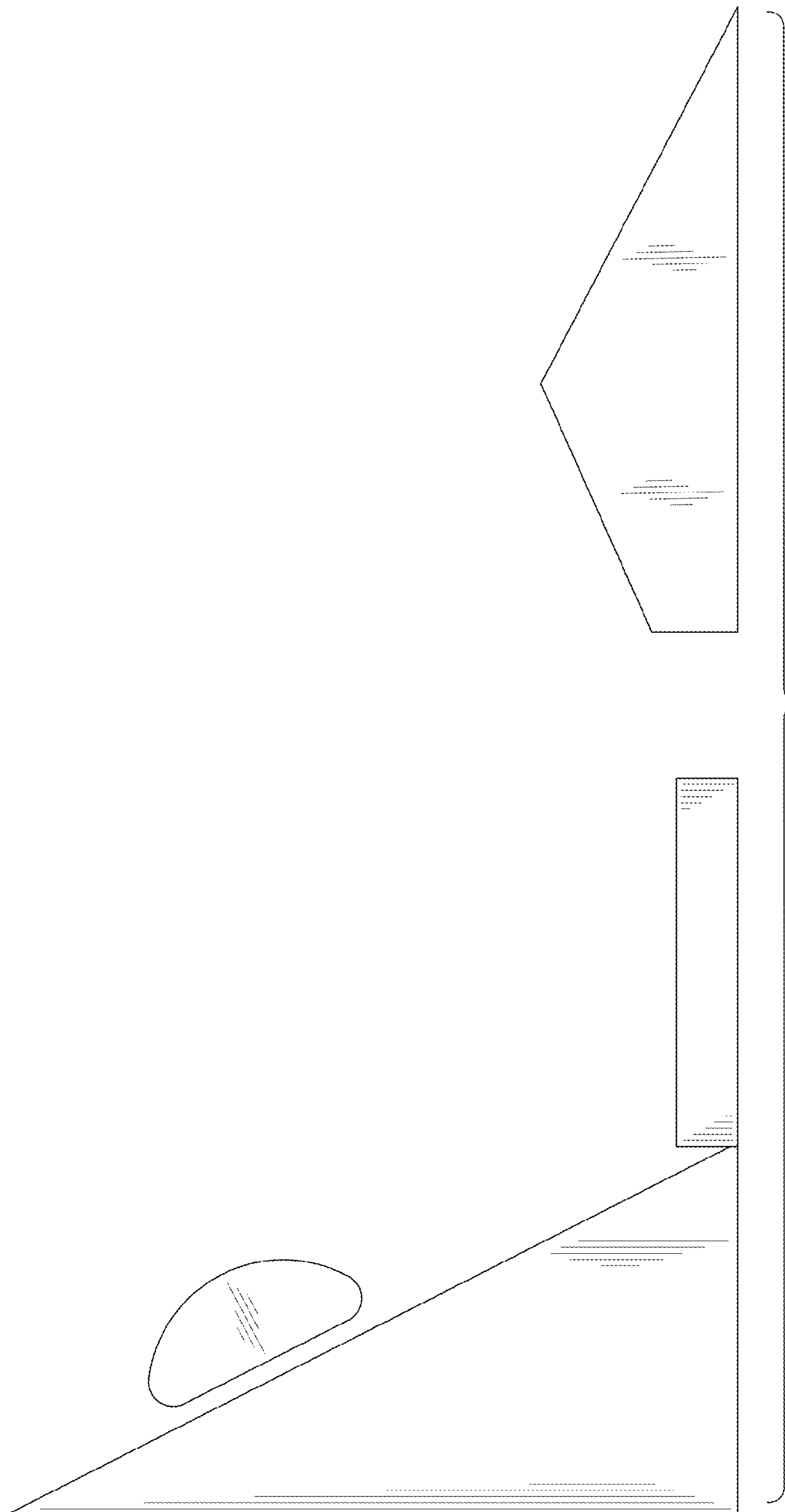


FIG. 3

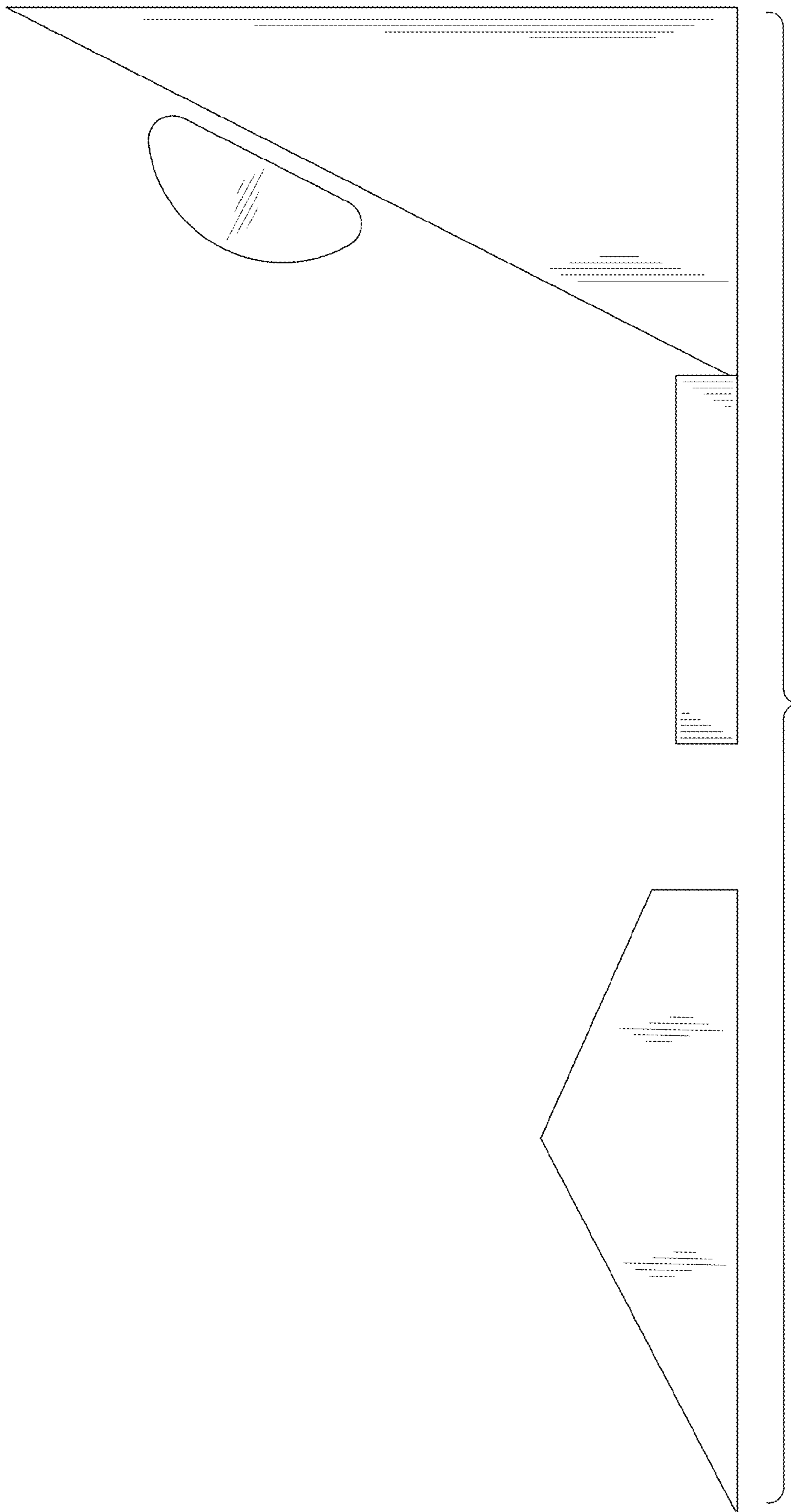


FIG. 4

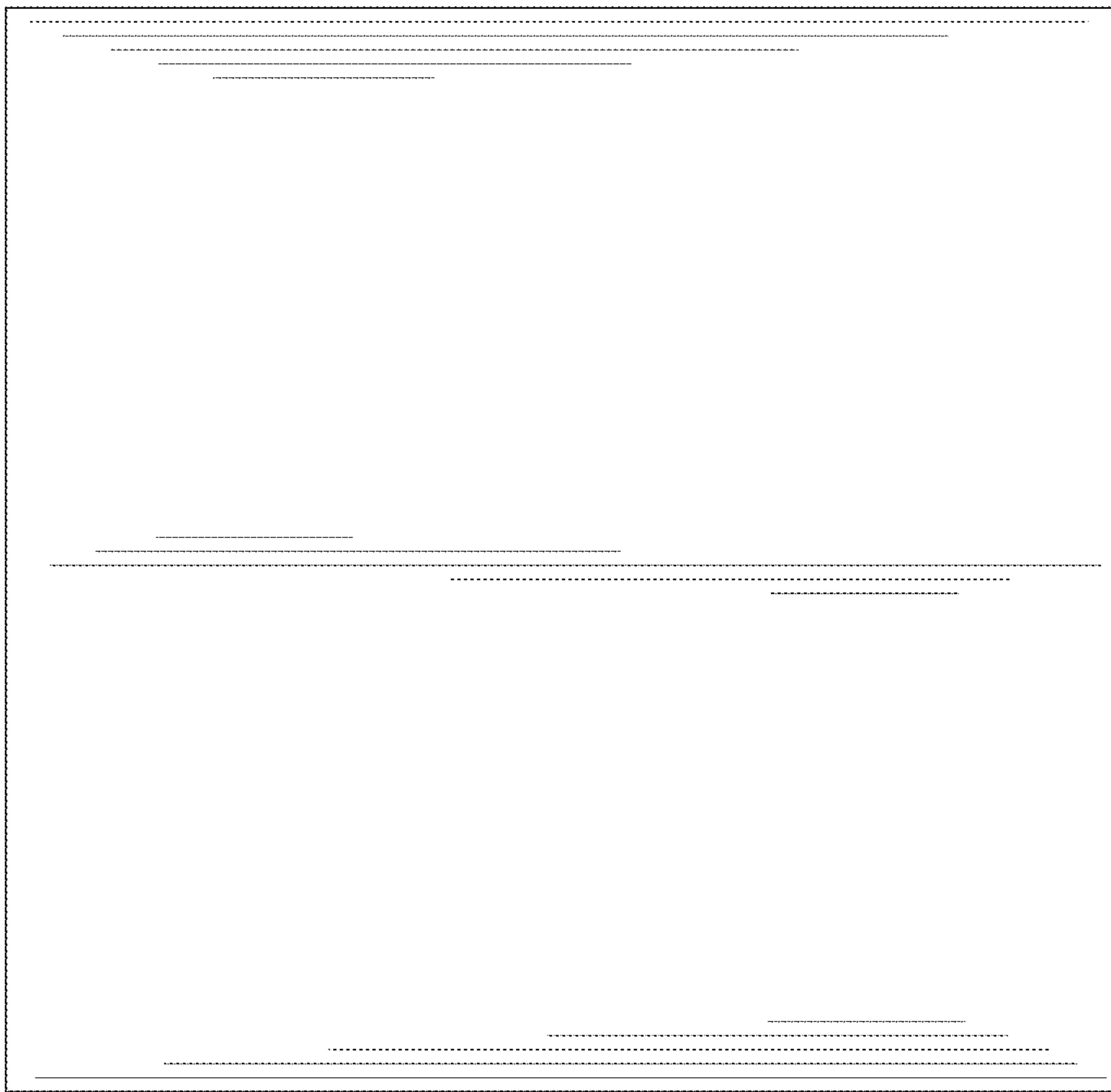


FIG. 5

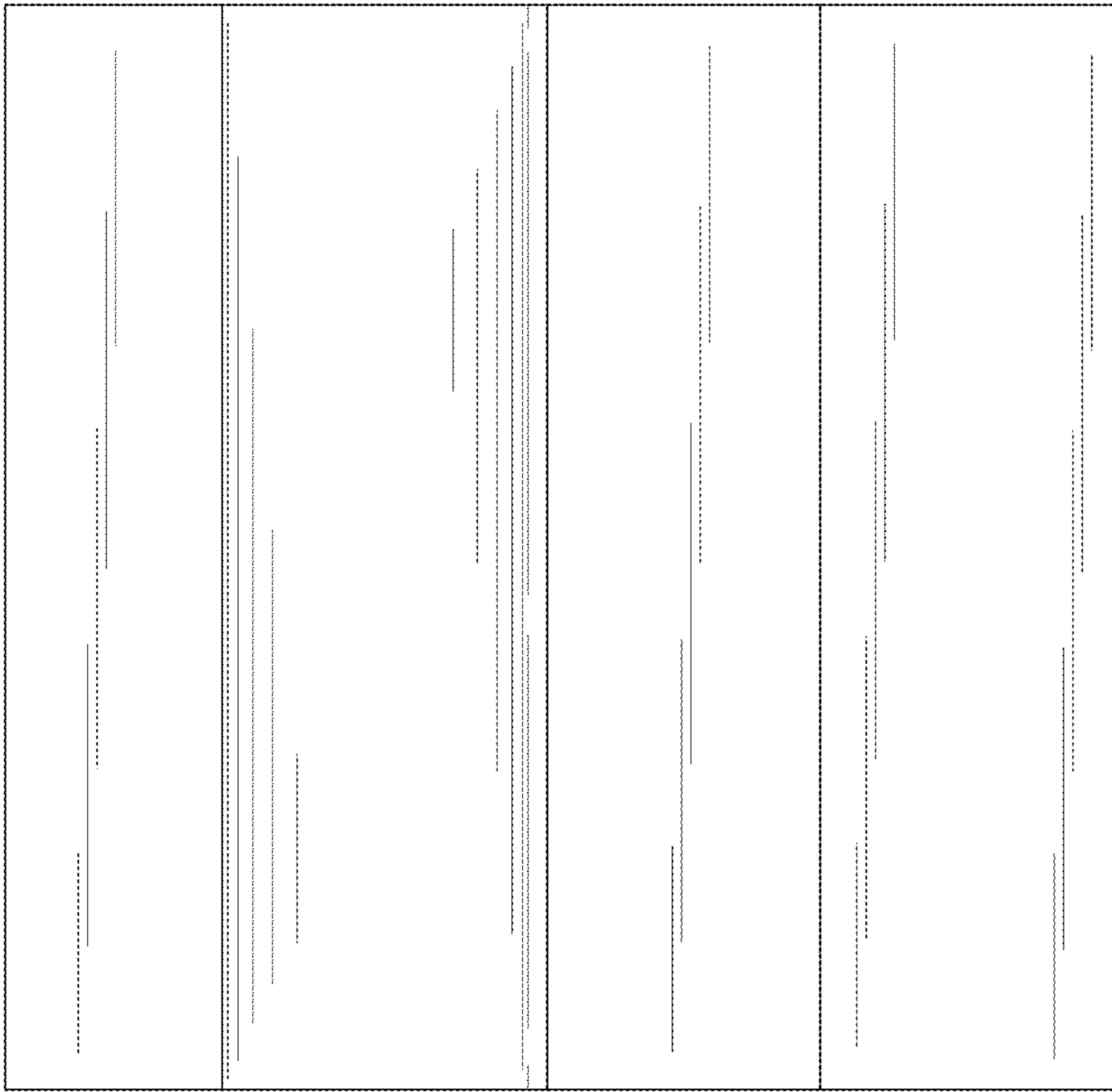


FIG. 6



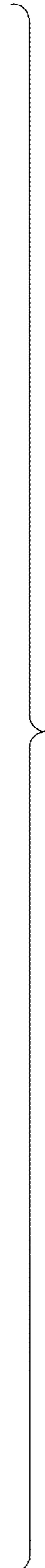
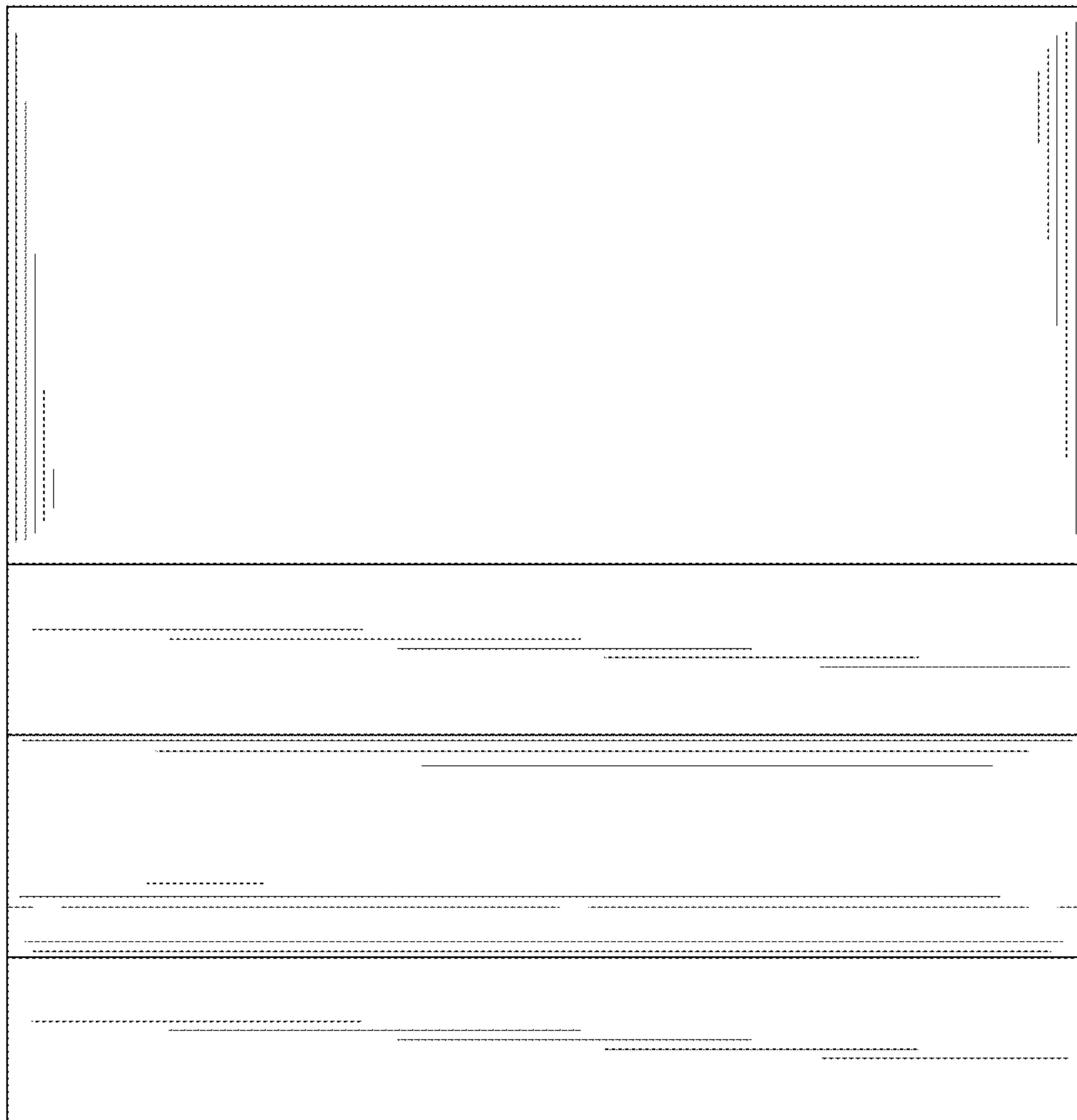
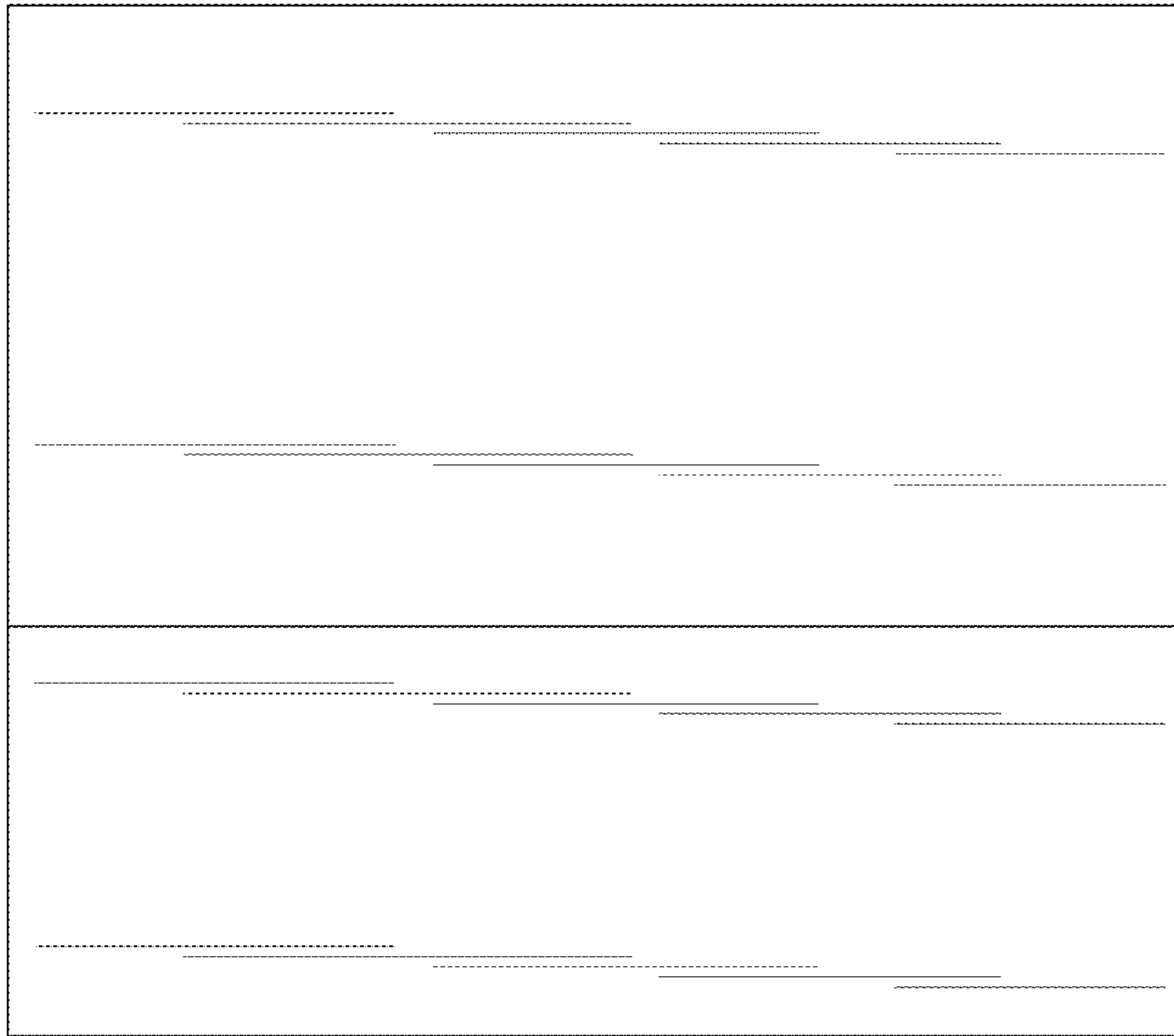


FIG. 7

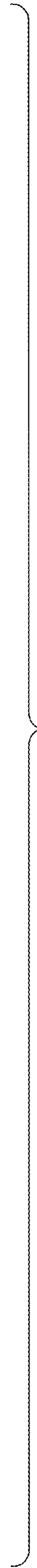
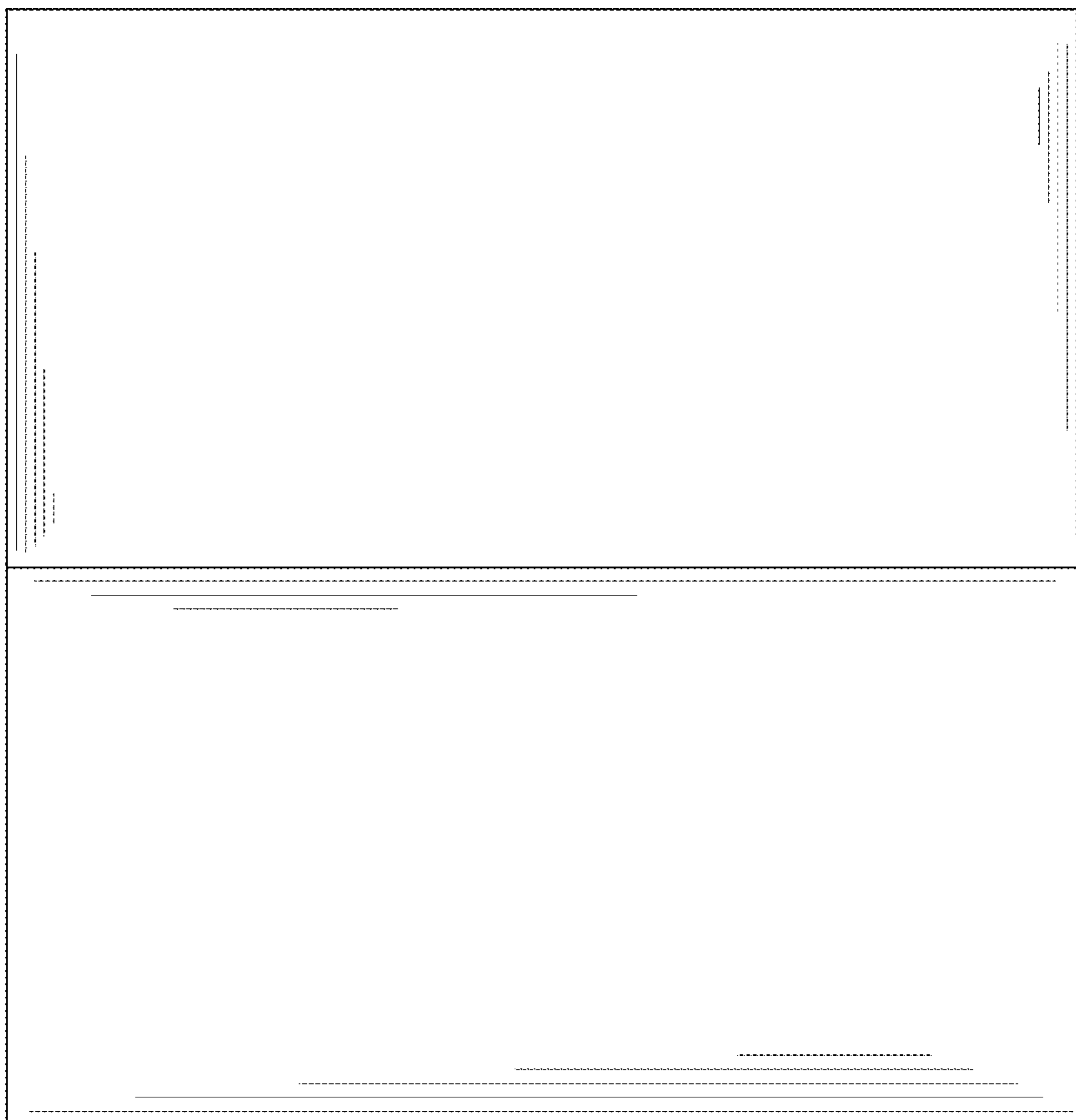
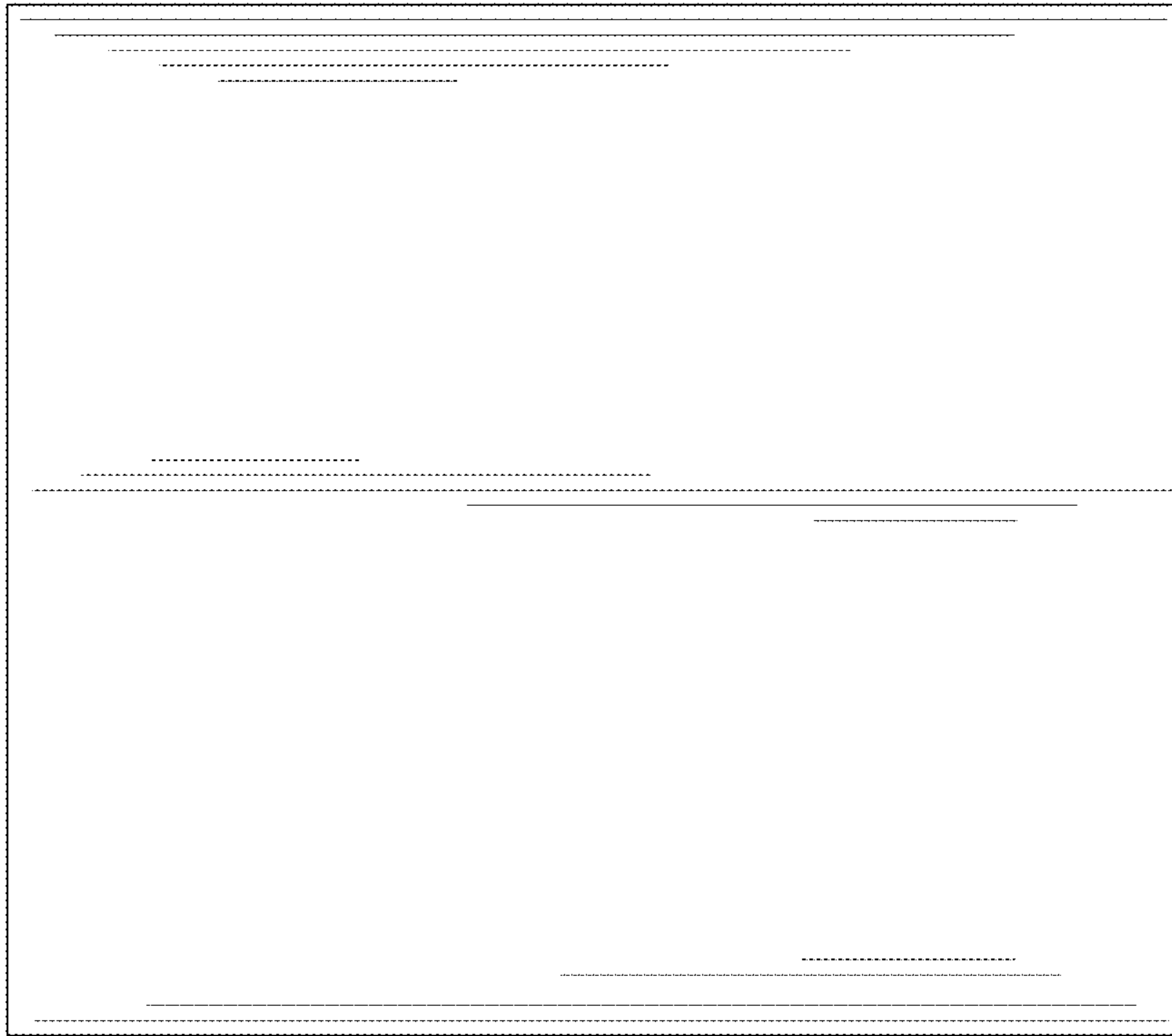


FIG. 8