

US00D936388S

(12) **United States Design Patent** (10) **Patent No.:** **US D936,388 S**
Schwandt et al. (45) **Date of Patent:** **** Nov. 23, 2021**

(54) **HEAD RAIL FOR A COVERING FOR AN ARCHITECTURAL OPENING**

1,918,924 A 7/1933 O'Heir
2,517,966 A 8/1950 Boye
2,639,461 A 5/1953 Fry
2,869,171 A 1/1959 Levine

(71) Applicant: **Hunter Douglas Inc.**, Pearl River, NY (US)

(Continued)

(72) Inventors: **Mark A. Schwandt**, Thornton, CO (US); **Martin A. Stebenne**, Westminster, CO (US); **Fred Bould**, Menlo Park, CA (US); **Kwan Hon Anson Cheung**, San Francisco, CA (US)

FOREIGN PATENT DOCUMENTS

WO 2011/121621 A1 10/2011

Primary Examiner — Kevin K Rudzinski

Assistant Examiner — Clare Ann Gannon

(74) *Attorney, Agent, or Firm* — Leason Ellis LLP

(73) Assignee: **HUNTER DOUGLAS INC.**, Pearl River, NY (US)

(57) **CLAIM**

(**) Term: **15 Years**

We claim the ornamental design for a head rail for a covering for an architectural opening, as shown and described.

(21) Appl. No.: **29/653,076**

(22) Filed: **Jun. 12, 2018**

DESCRIPTION

Related U.S. Application Data

(63) Continuation of application No. 29/554,915, filed on Feb. 17, 2016, now abandoned.

(51) **LOC (13) Cl.** **06-10**

(52) **U.S. Cl.**
USPC **D6/580**

(58) **Field of Classification Search**

USPC D6/576, 577, 579, 580; D8/354, 363, D8/373, 376, 377, 380; D25/119, 121, D25/123, 125

CPC .. A47H 1/04; A47H 1/13; B60J 1/2038; B60J 1/2063; E06B 2009/587; E06B 9/262; E06B 9/266; E06B 9/323; E06B 9/40; E06B 9/42; E06B 9/58

See application file for complete search history.

FIG. 1 is a front isometric view of a head rail for a covering for an architectural opening in accordance with the present design.

FIG. 2 is a rear isometric view thereof.

FIG. 3 is a front elevation view thereof.

FIG. 4 is a rear elevation view thereof.

FIG. 5 is a right side elevation view thereof.

FIG. 6 is a left side elevation view thereof.

FIG. 7 is a top plan view thereof; and,

FIG. 8 is a bottom plan view thereof.

The dash-dash broken lines illustrate features of the head rail for a covering for an architectural opening that form no part of the claimed design. The dash-dot-dash broken lines illustrate a boundary between claimed features and non-claimed features.

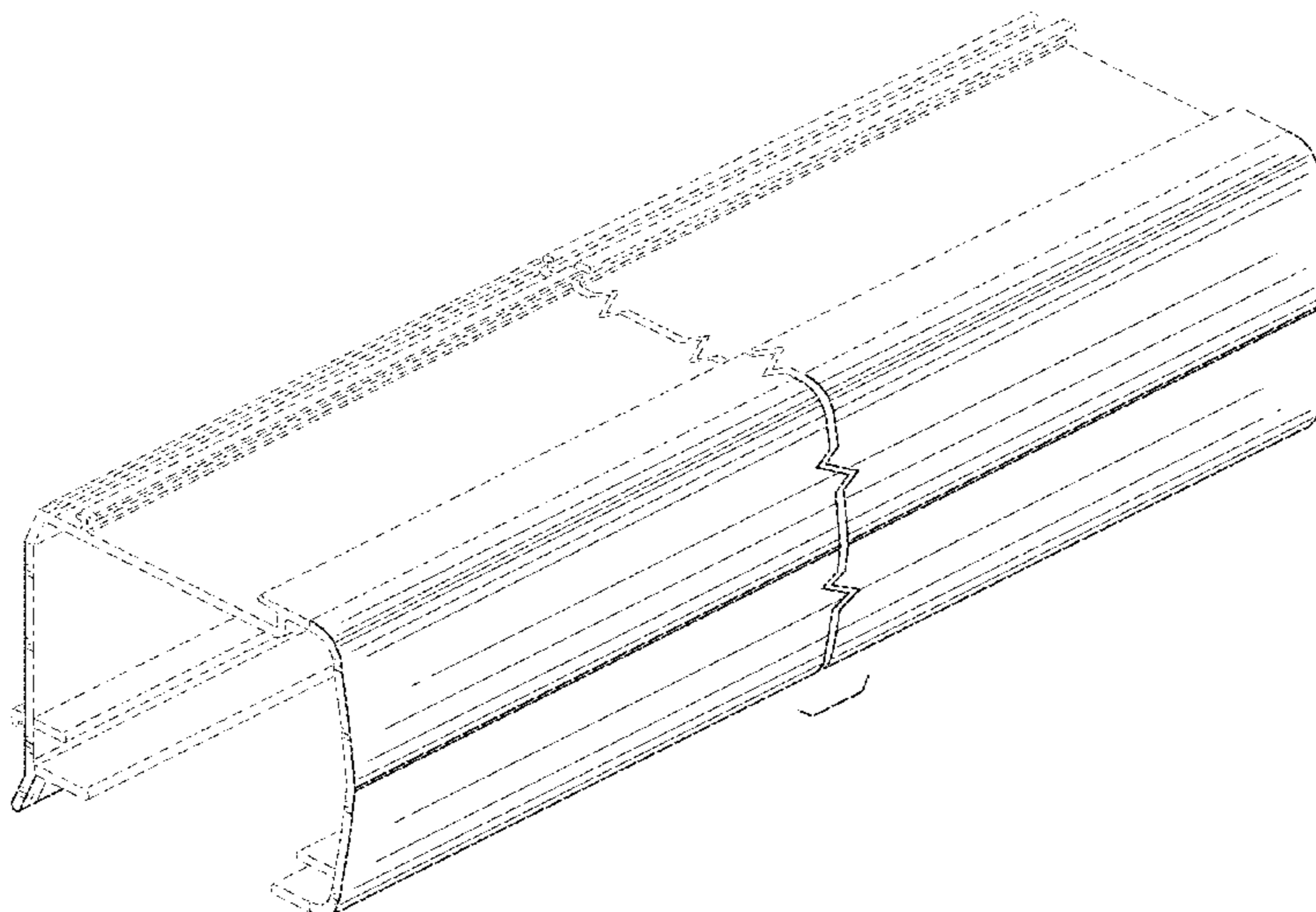
The break lines shown in FIGS. 1-4 and 7-8 symbolize breaks in the length of the article in which the claimed design is embodied. The appearance of any portion of the article between the break lines forms no part of the claimed design.

(56) **References Cited**

U.S. PATENT DOCUMENTS

1,835,775 A 12/1931 Hay
1,908,839 A 5/1933 Greig

1 Claim, 7 Drawing Sheets



(56)

References Cited

U.S. PATENT DOCUMENTS

2,876,834 A 3/1959 Walker
 4,055,871 A 11/1977 Morton
 4,733,435 A 3/1988 Darner
 4,938,443 A 7/1990 Rowe
 5,121,893 A 6/1992 King et al.
 5,127,458 A 7/1992 Schaefer et al.
 7,543,623 B2 6/2009 Allardyce et al.
 7,694,482 B2 4/2010 Gazaway et al.
 8,256,489 B2 9/2012 Berger
 D680,357 S 4/2013 Wills et al.
 8,607,839 B2 12/2013 Berger
 8,944,135 B2 2/2015 Spray
 9,169,691 B2 10/2015 Berger
 D791,358 S * 7/2017 Singh D25/119
 9,752,380 B2 * 9/2017 Anderson E06B 9/262
 D808,684 S * 1/2018 Santilli D6/580
 D817,030 S * 5/2018 Bouroullec D6/580

D817,660 S * 5/2018 Raiti D6/580
 D854,855 S * 7/2019 Garcia Garcia E06B 9/58
 D6/580
 D854,856 S * 7/2019 Garcia Garcia D6/580
 D901,040 S * 11/2020 Helms E06B 9/323
 D25/119
 2007/0151676 A1 7/2007 Lin et al.
 2008/0244862 A1 10/2008 Tooyama
 2010/0083594 A1 4/2010 Gazaway et al.
 2010/0147469 A1 6/2010 Yu et al.
 2013/0068398 A1 3/2013 Wills et al.
 2013/0105649 A1 5/2013 Wills et al.
 2015/0211294 A1 7/2015 Shih et al.
 2016/0123074 A1 5/2016 Anderson
 2016/0222721 A1 8/2016 Rettig
 2017/0234062 A1 * 8/2017 Schwandt E06B 9/323
 160/40
 2020/0131846 A1 * 4/2020 Hebeisen E06B 9/56
 2020/0386047 A1 * 12/2020 James E06B 9/58

* cited by examiner

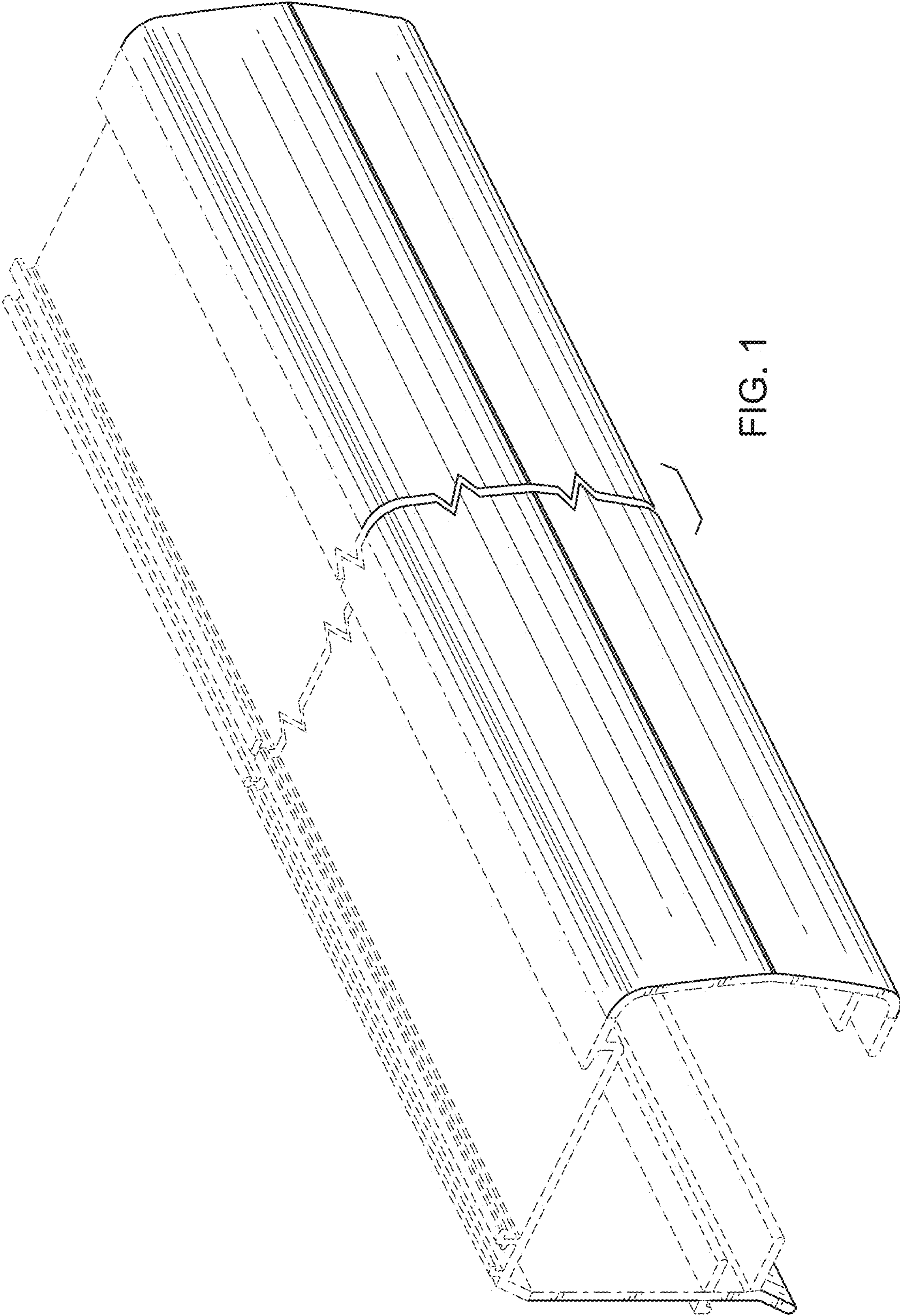


FIG. 1

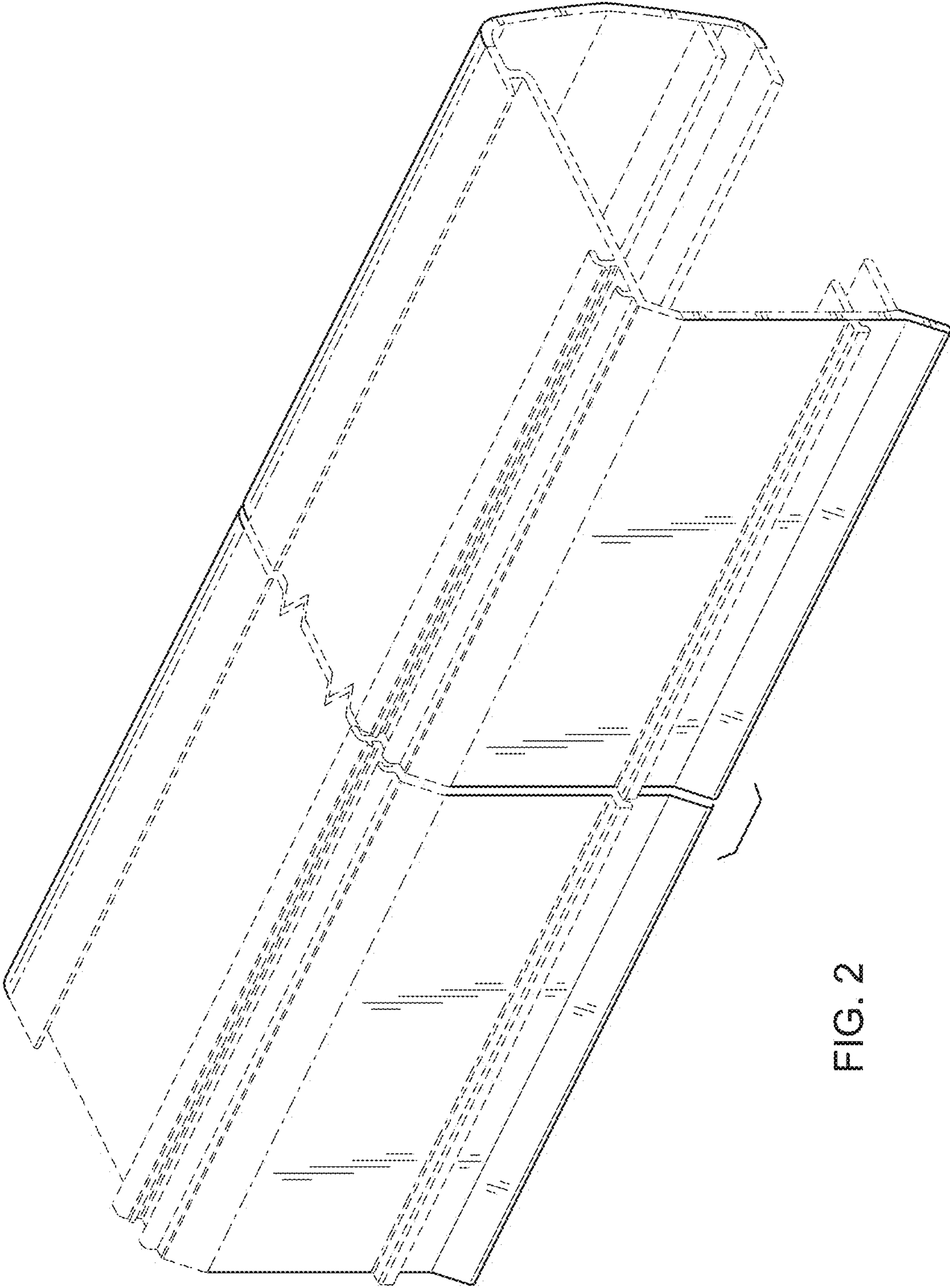


FIG. 2

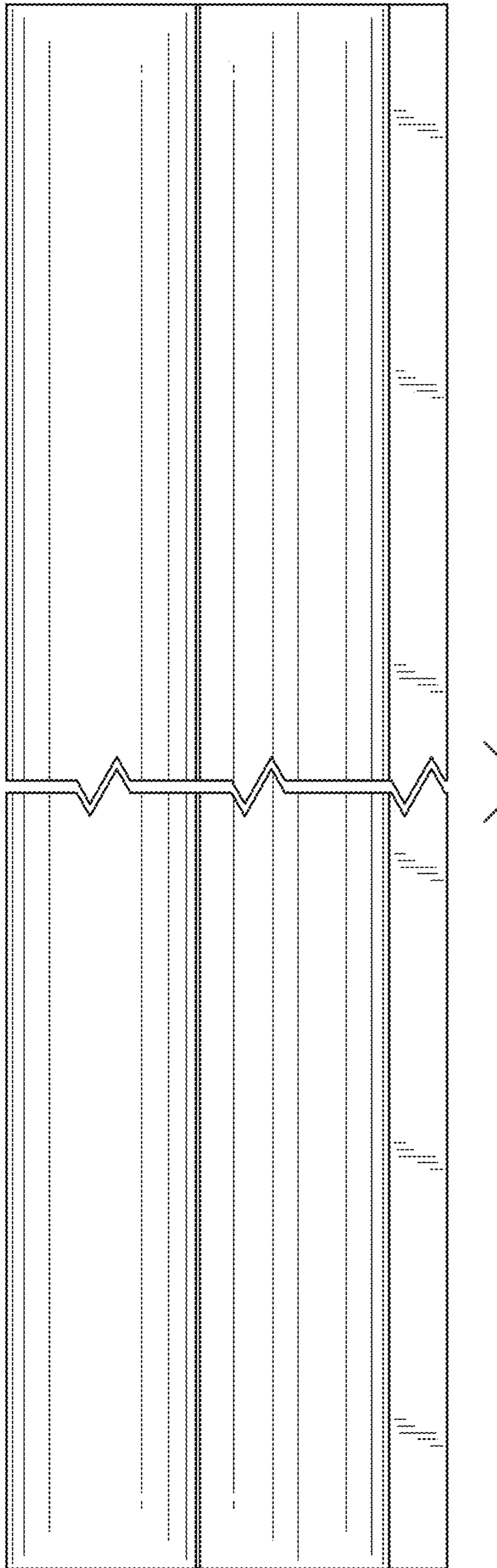


FIG. 3

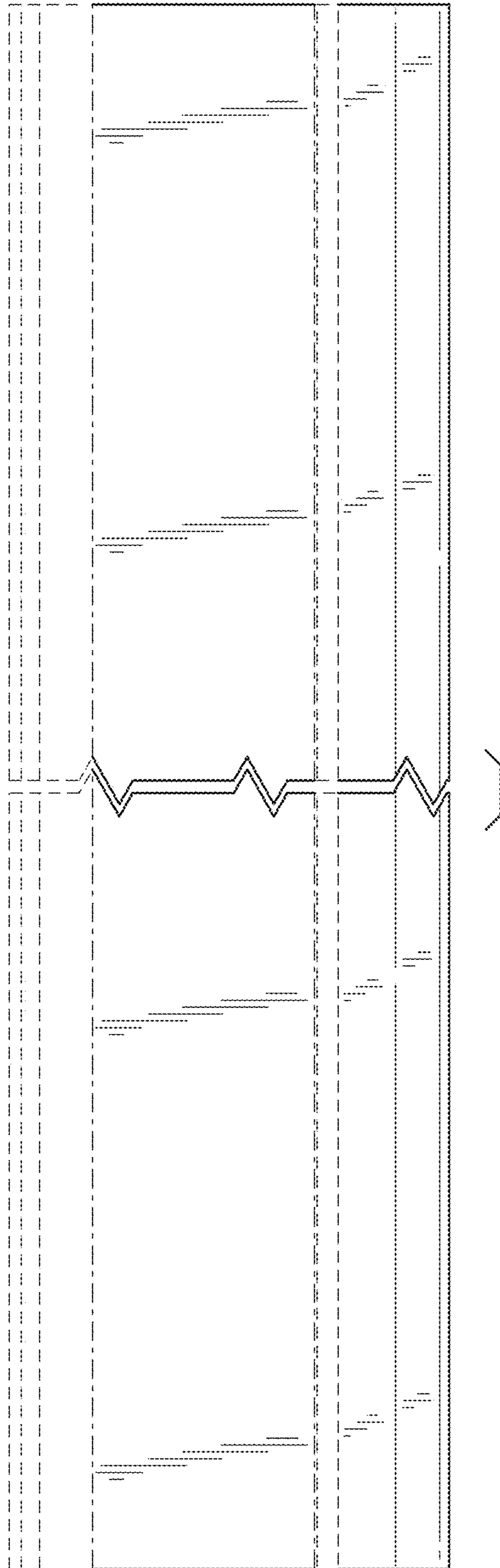


FIG. 4

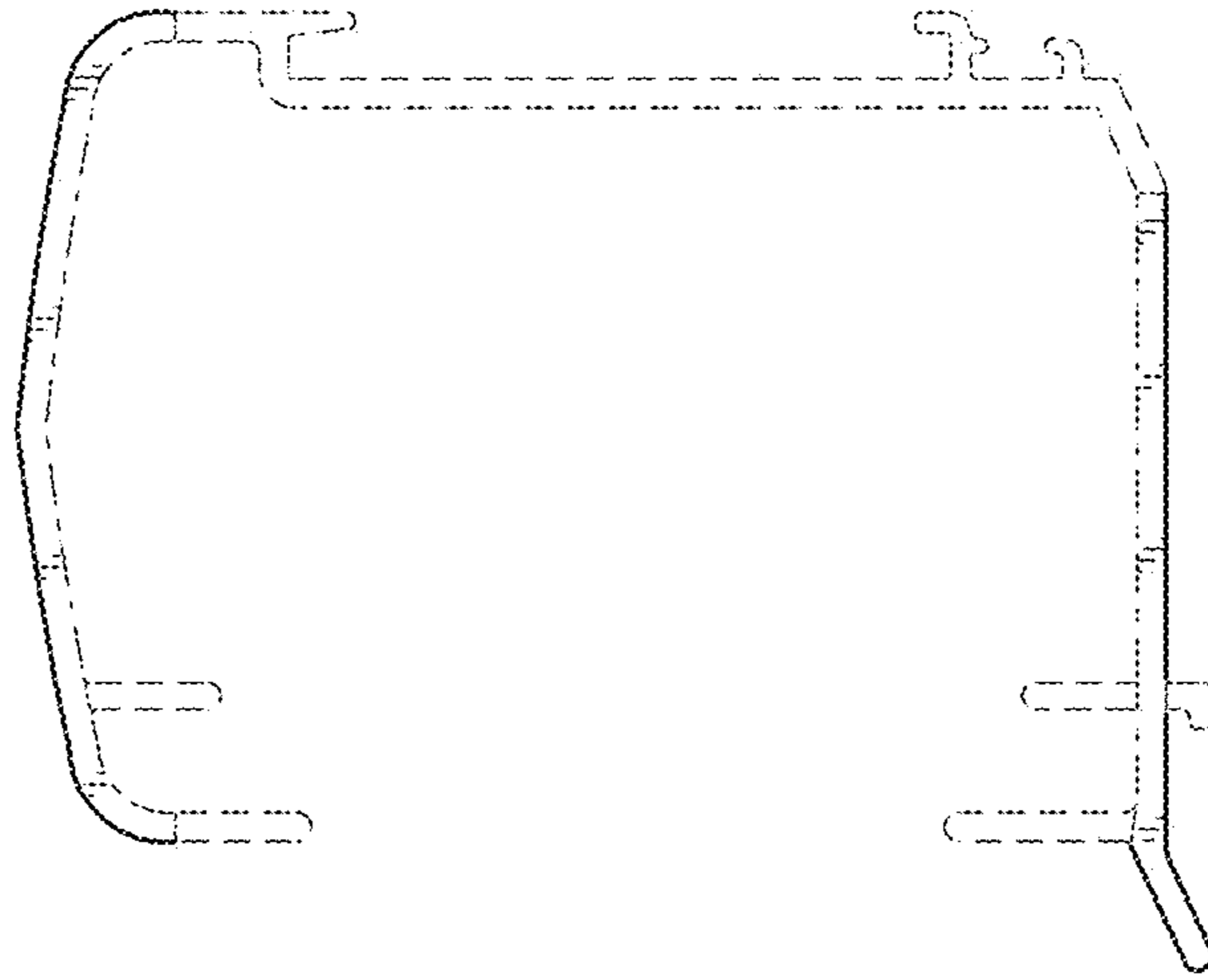


FIG. 5

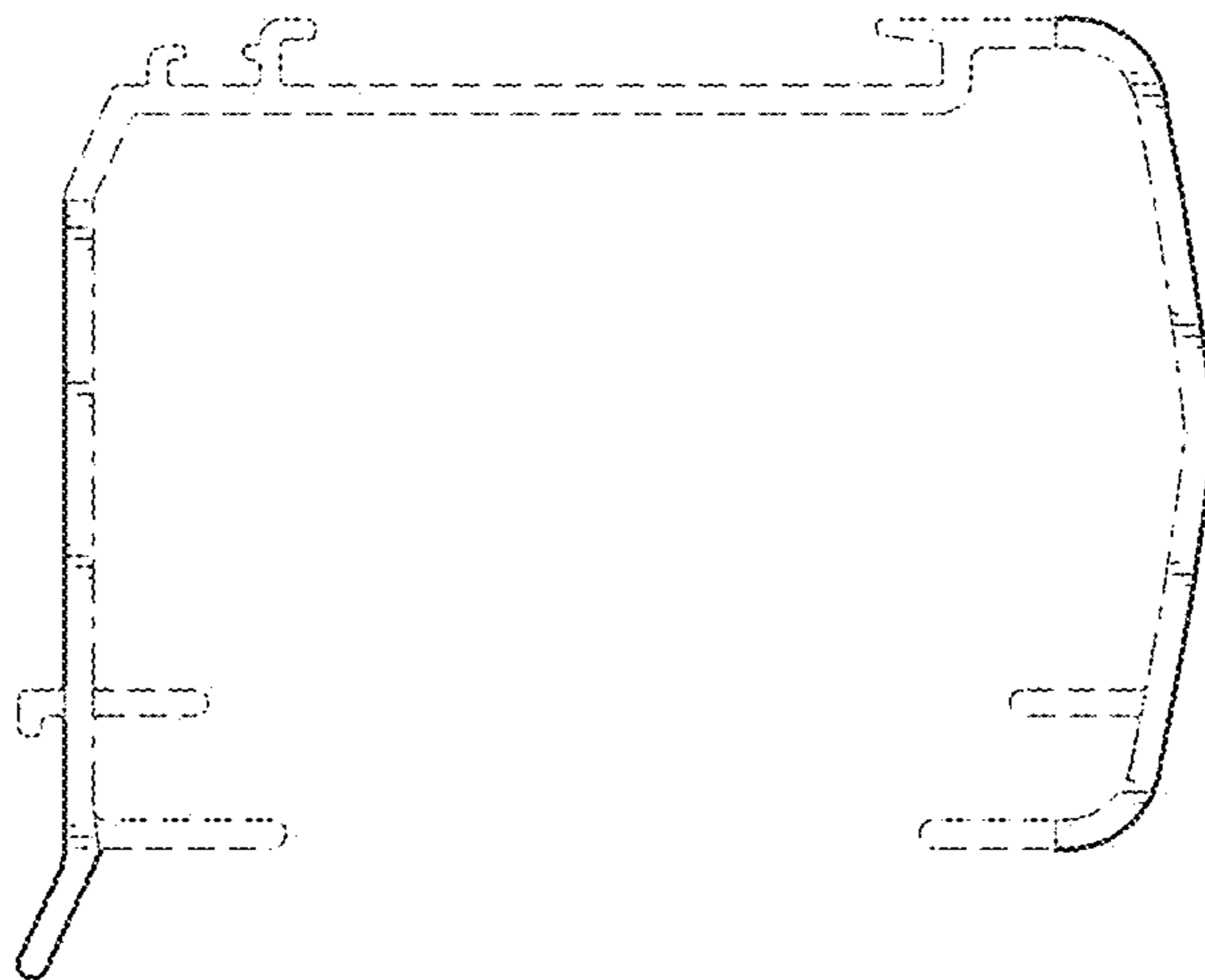


FIG. 6

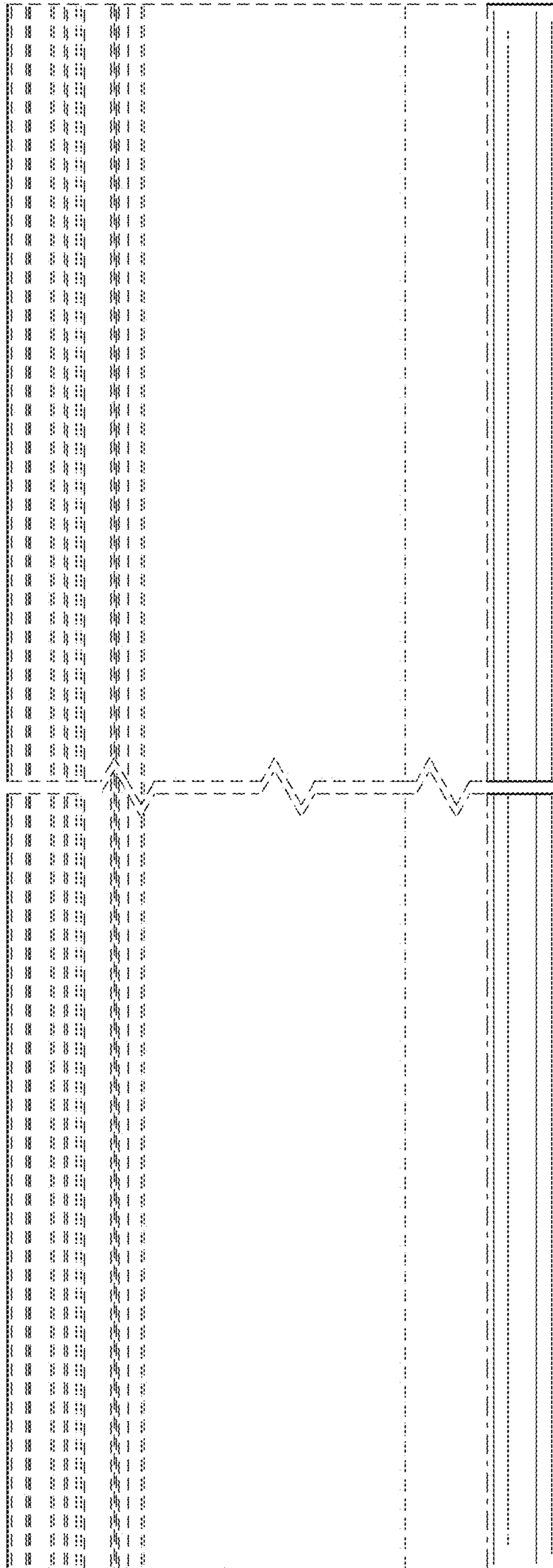


FIG. 7

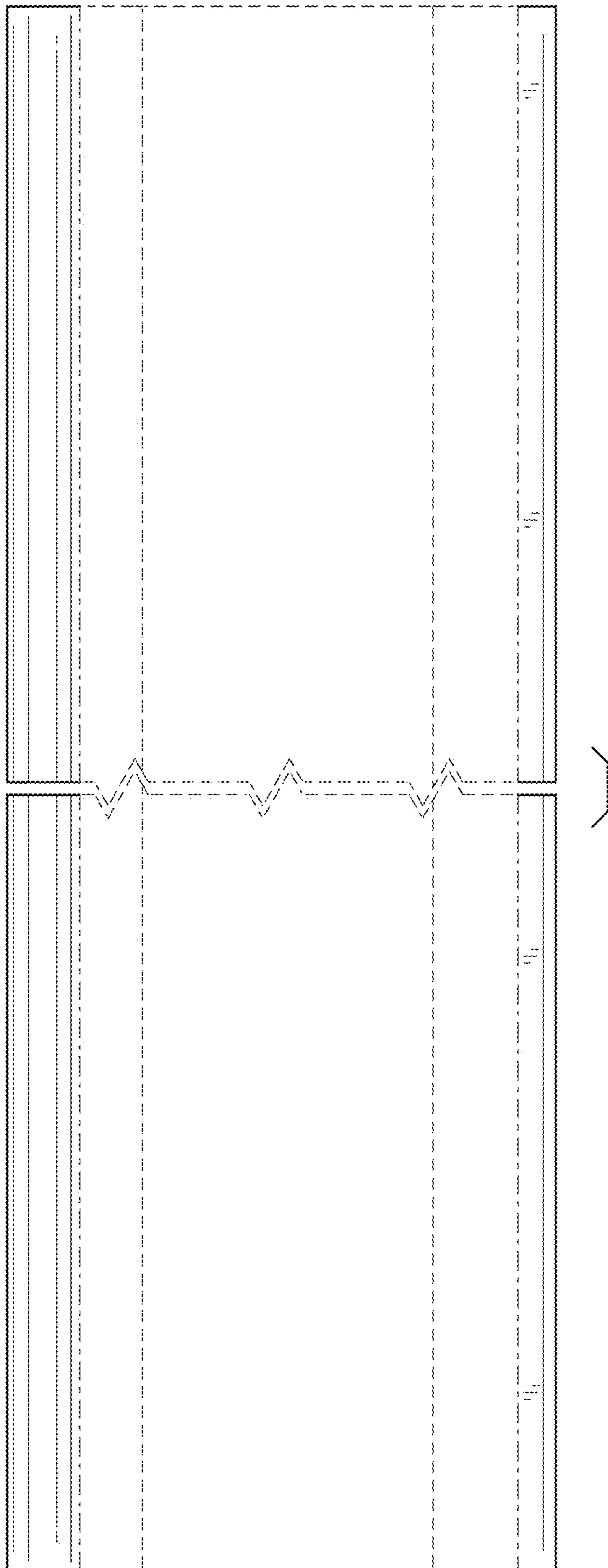


FIG. 8