

US00D936384S

(12) **United States Design Patent**
Bourgeois

(10) **Patent No.:** **US D936,384 S**

(45) **Date of Patent:** **** Nov. 23, 2021**

(54) **SWIVEL CHAIR**

(71) Applicant: **Philip Bourgeois**, Woodside, CA (US)

(72) Inventor: **Philip Bourgeois**, Woodside, CA (US)

(**) Term: **15 Years**

(21) Appl. No.: **29/701,062**

(22) Filed: **Aug. 8, 2019**

(51) **LOC (13) Cl.** **06-01**

(52) **U.S. Cl.**
USPC **D6/366**

(58) **Field of Classification Search**
USPC D6/334-336, 364, 365, 366, 367, 368,
D6/371, 372, 373, 374, 376, 379, 380,
D6/716, 716.1, 716.4
CPC A47C 7/004; A47C 7/006; A47C 7/40;
A47C 1/16; A47C 5/04; A47C 5/06;
A47C 5/10; A47C 4/283; A47C 4/30;
A47C 4/42; A47C 4/407; A47C 4/44
See application file for complete search history.

(56) **References Cited**

U.S. PATENT DOCUMENTS

2,957,515	A *	10/1960	Gibson	A47C 1/16
					297/252
D252,658	S *	8/1979	Kressin	D6/368
4,775,182	A *	10/1988	von Hoffman	A47C 4/42
					297/350
D459,902	S *	7/2002	Fox	D6/365
D495,511	S *	9/2004	Dingess	D6/368

D514,834	S *	2/2006	O'Hare	D6/368
D608,559	S *	1/2010	Linder	D6/366
D680,770	S *	4/2013	Hori	D6/376
D686,832	S *	7/2013	Hori	D6/376
D802,317	S *	11/2017	Head, Jr.	D6/368

* cited by examiner

Primary Examiner — Mimosa De

(74) *Attorney, Agent, or Firm* — Keisling & Pieper PLC;
David B. Pieper; Trent C. Keisling

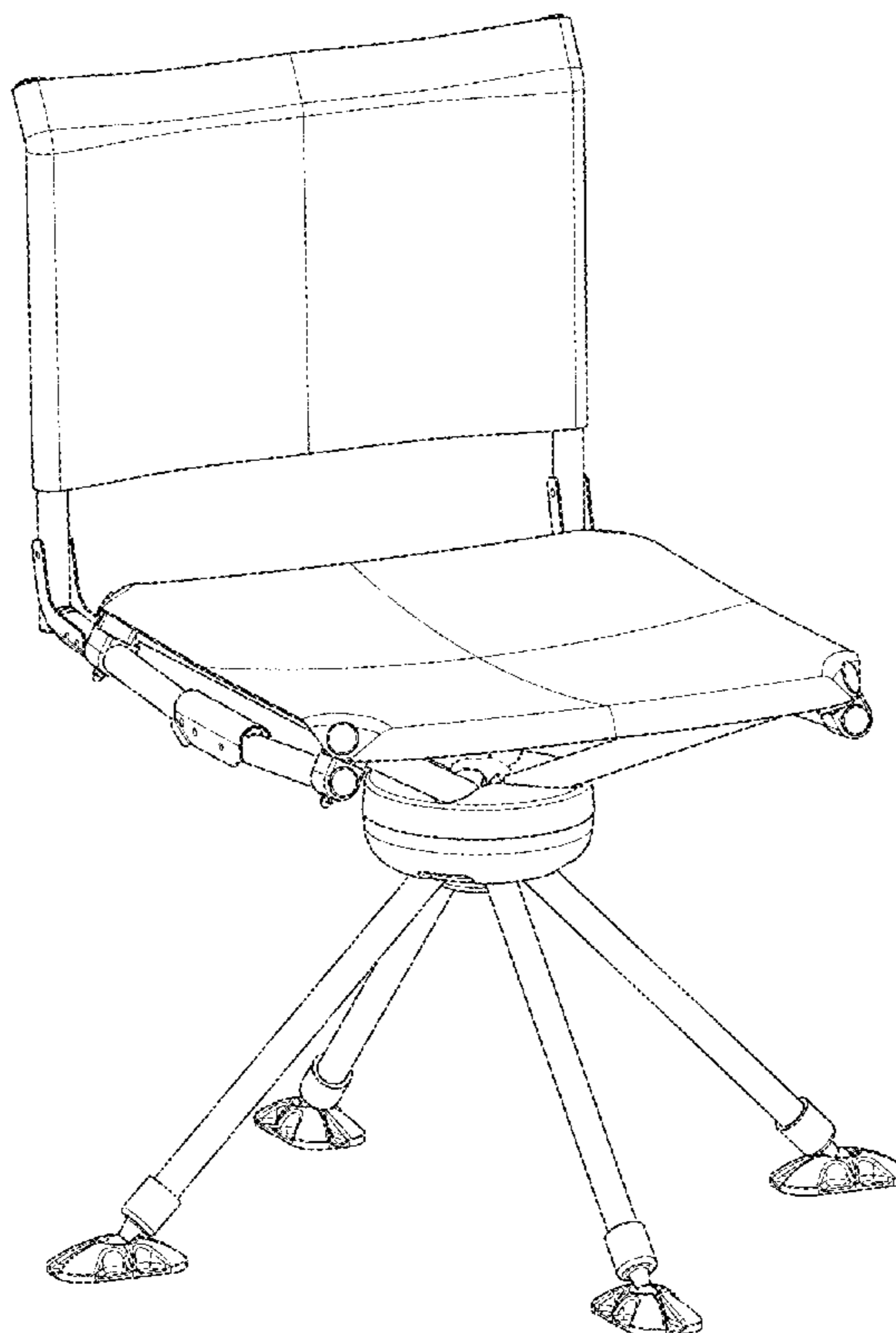
(57) **CLAIM**

The ornamental design for a swivel chair, as shown and described.

DESCRIPTION

FIG. 1 is a perspective view of a swivel chair showing my new design;
FIG. 2 is another perspective view thereof;
FIG. 3 is a further perspective view thereof;
FIG. 4 is a front view thereof;
FIG. 5 is a back view thereof;
FIG. 6 is a left side view thereof, the right side being a mirror image thereof;
FIG. 7 is a top view thereof; and,
FIG. 8 is a bottom view thereof.
The broken lines in the drawings depict portions of the swivel chair that form no part of the claimed design.

1 Claim, 7 Drawing Sheets



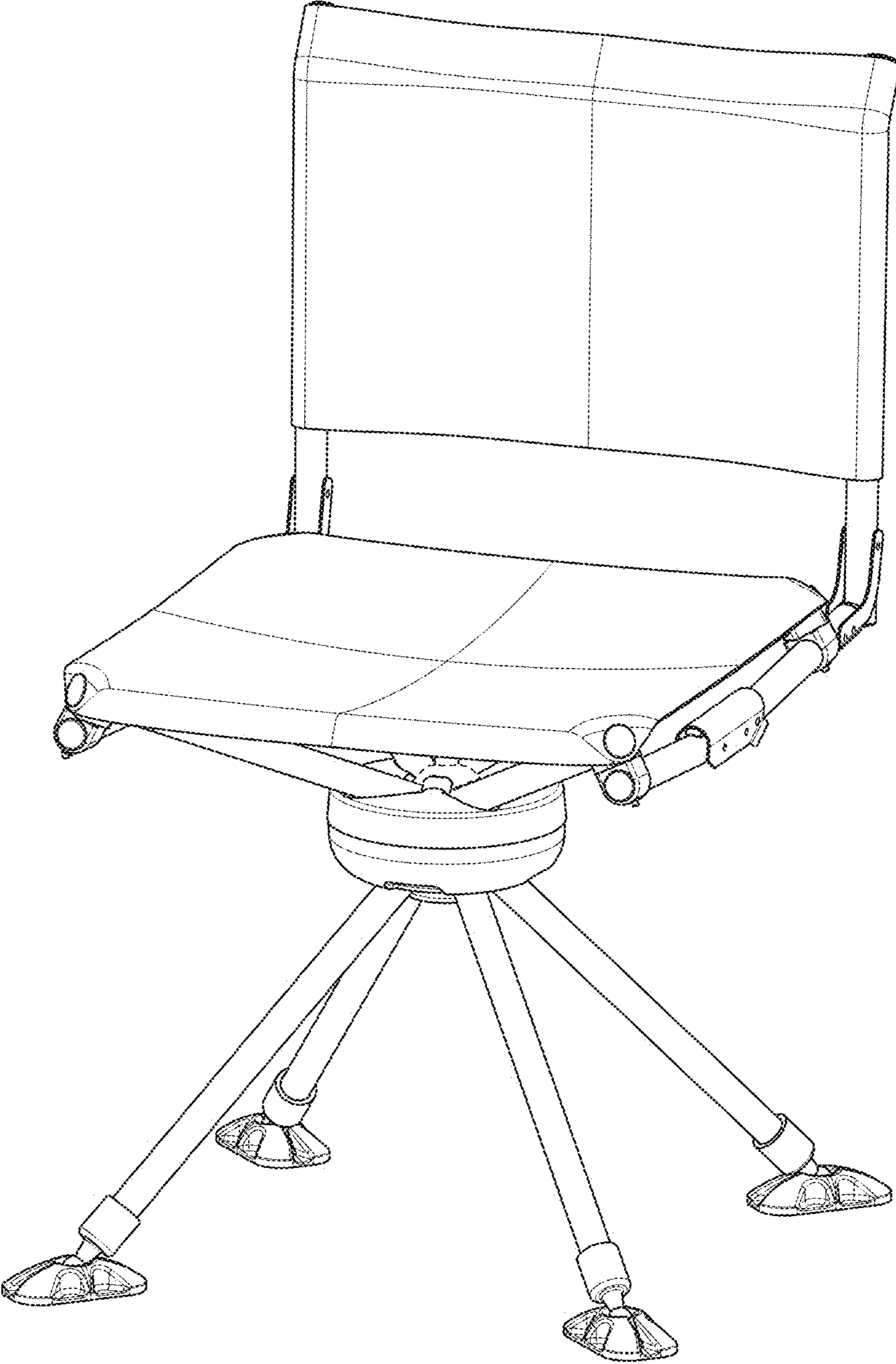


FIG. 1

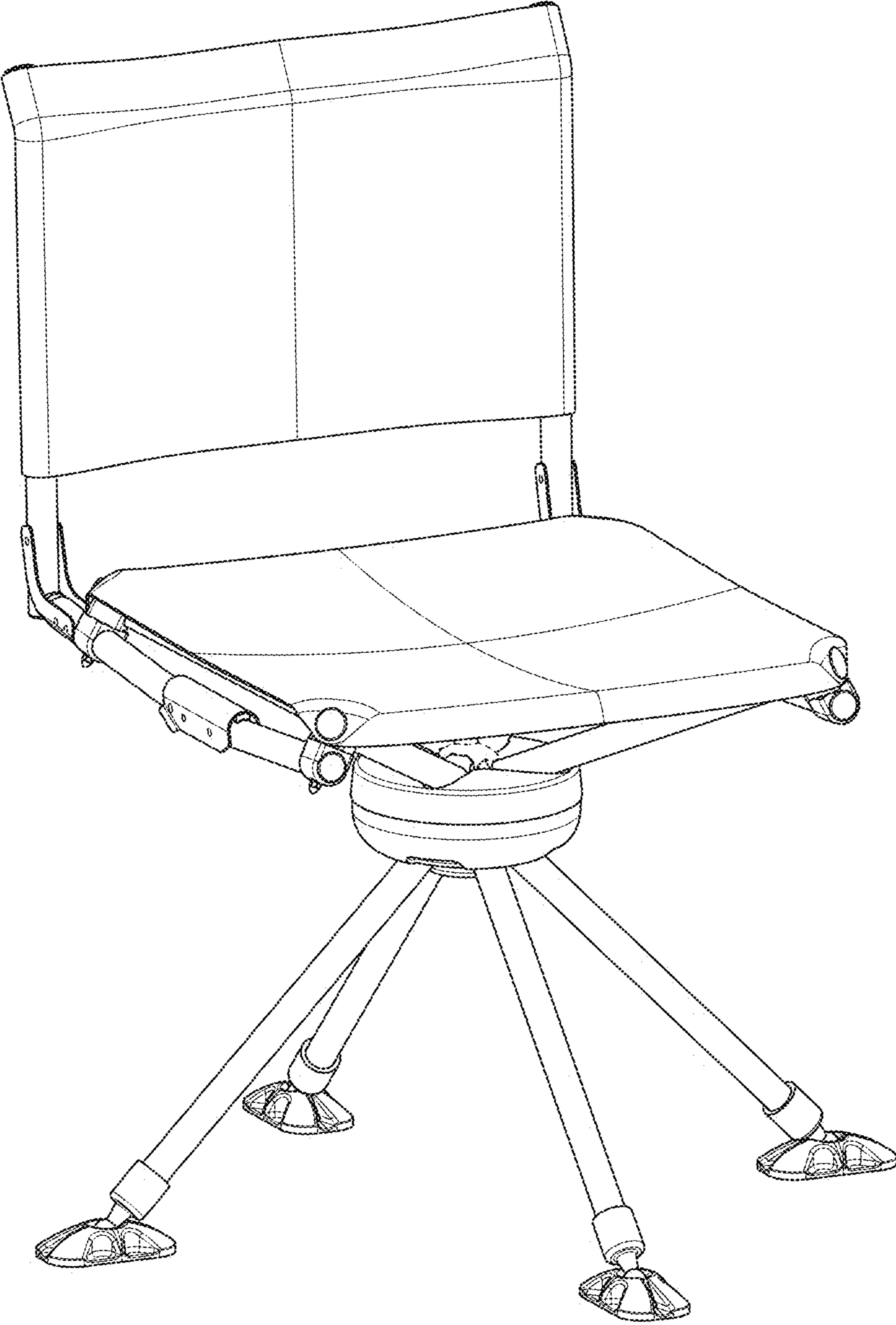


FIG. 2

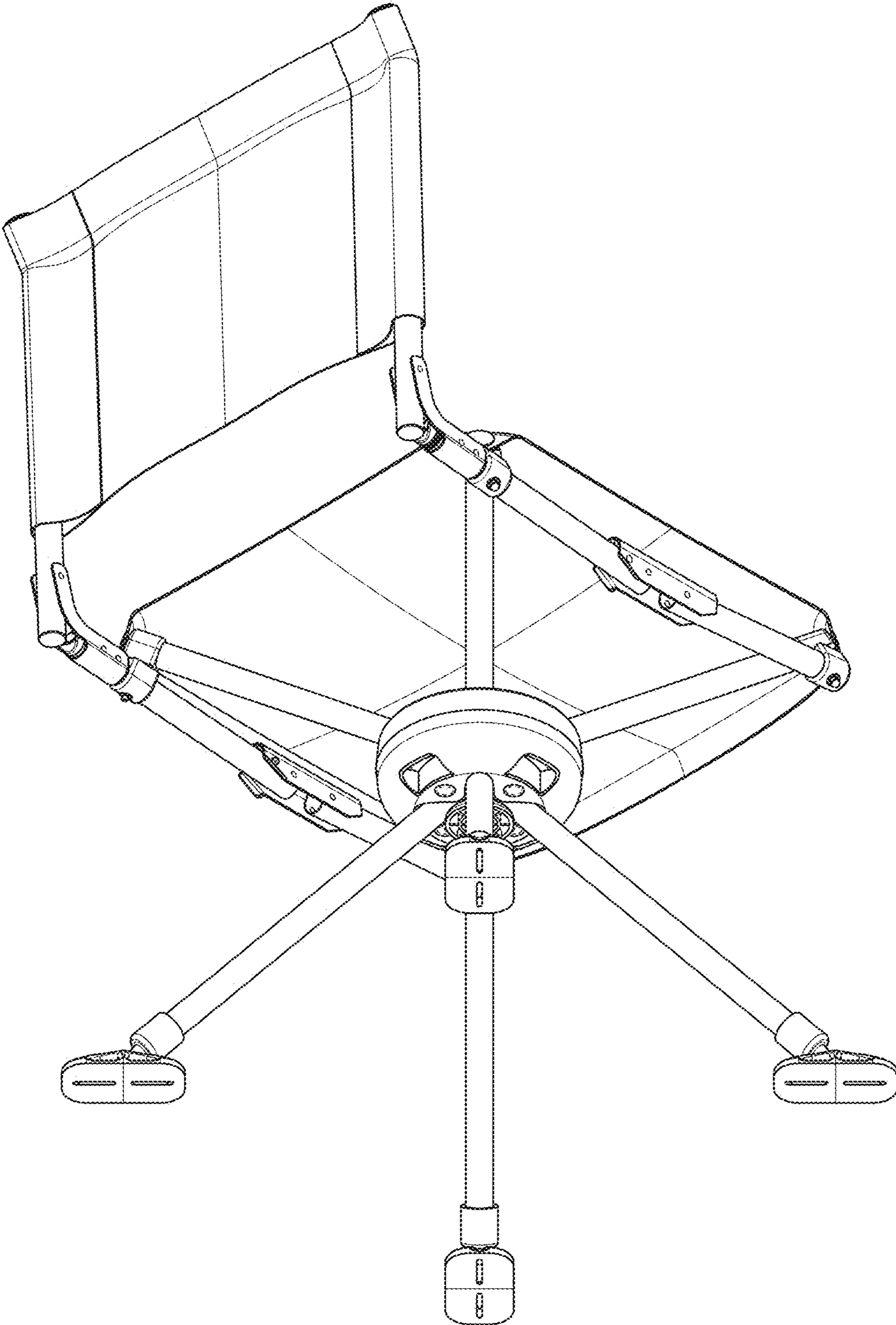


FIG. 3

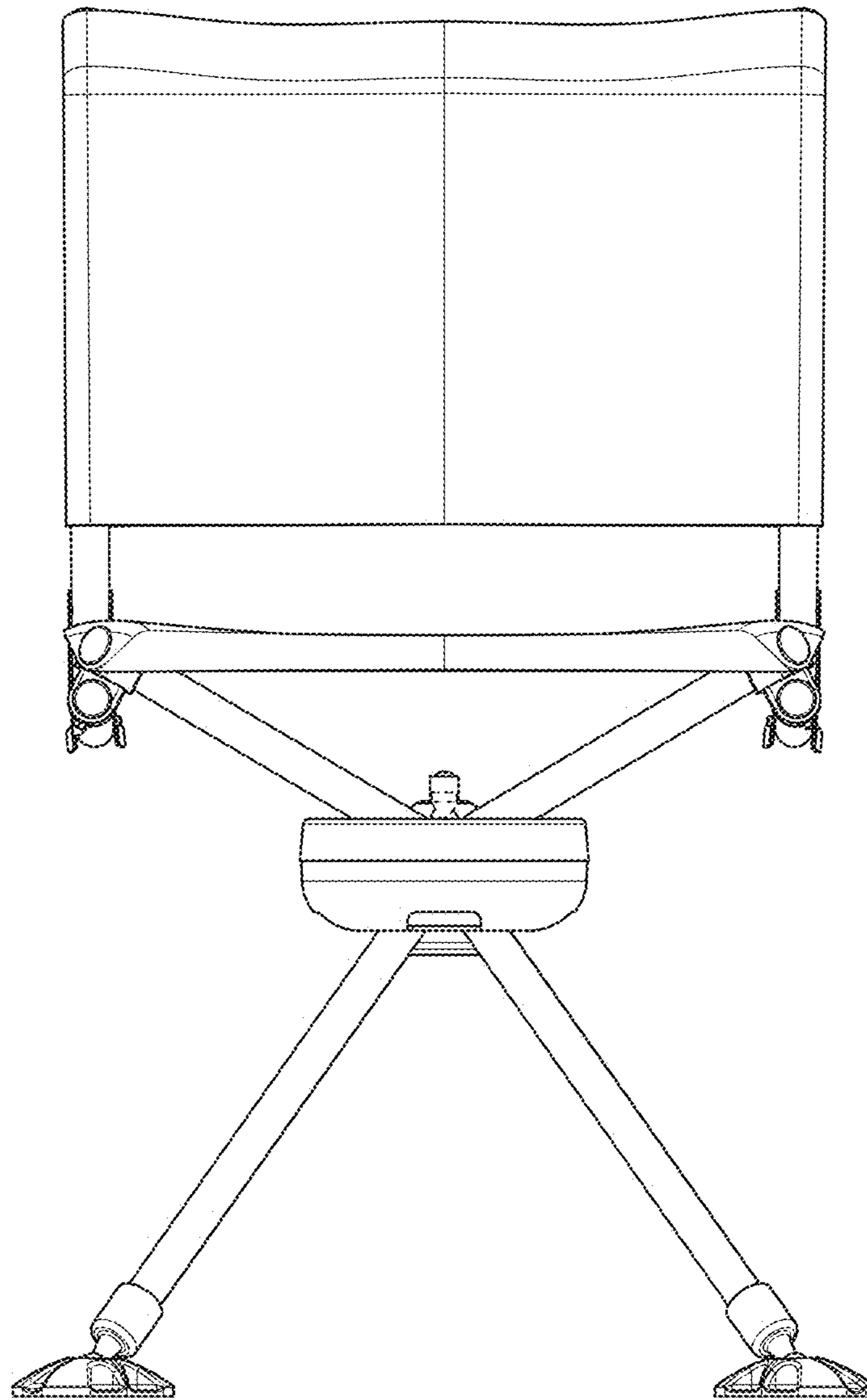


FIG. 4

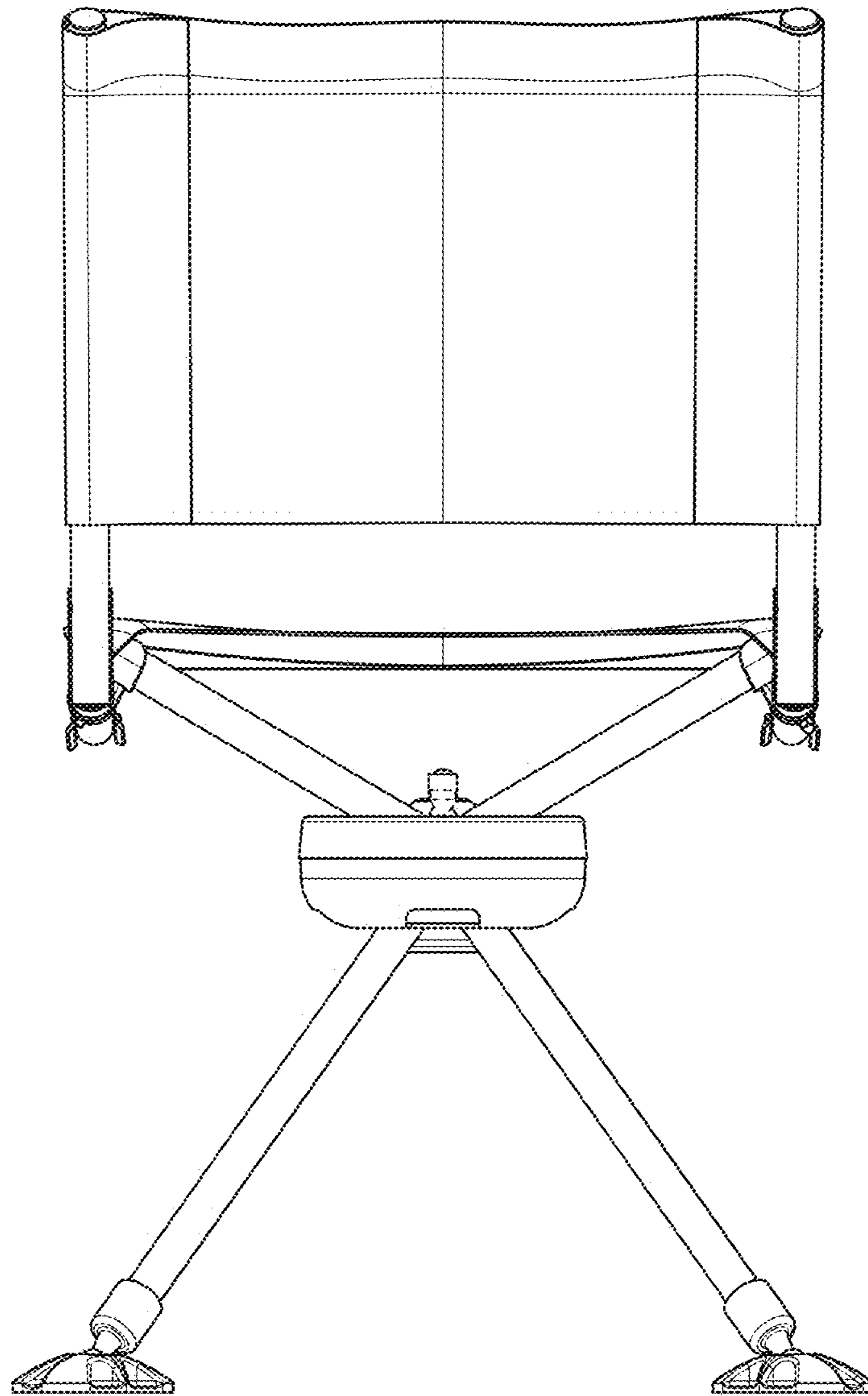


FIG. 5

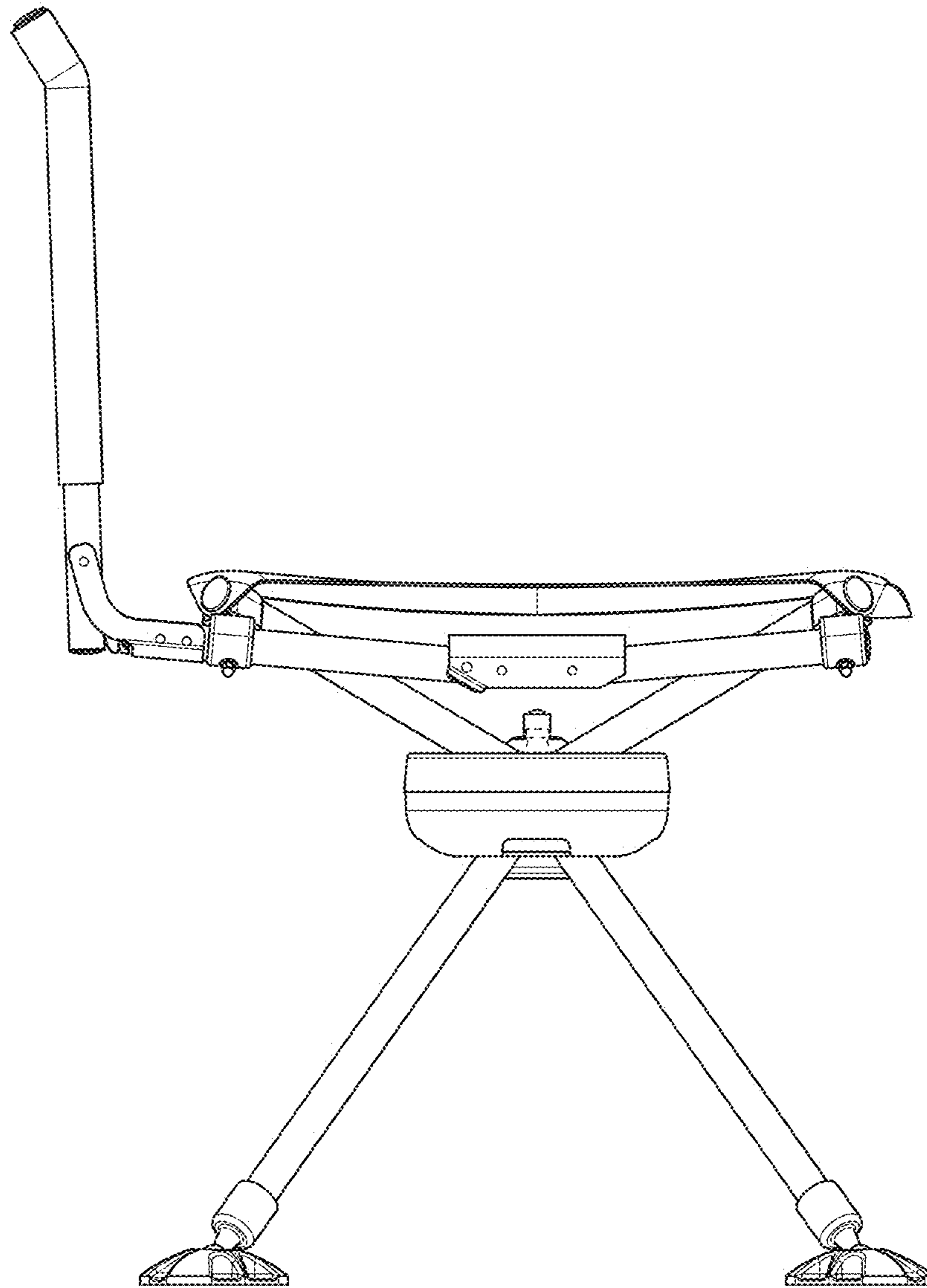


FIG. 6

FIG. 7

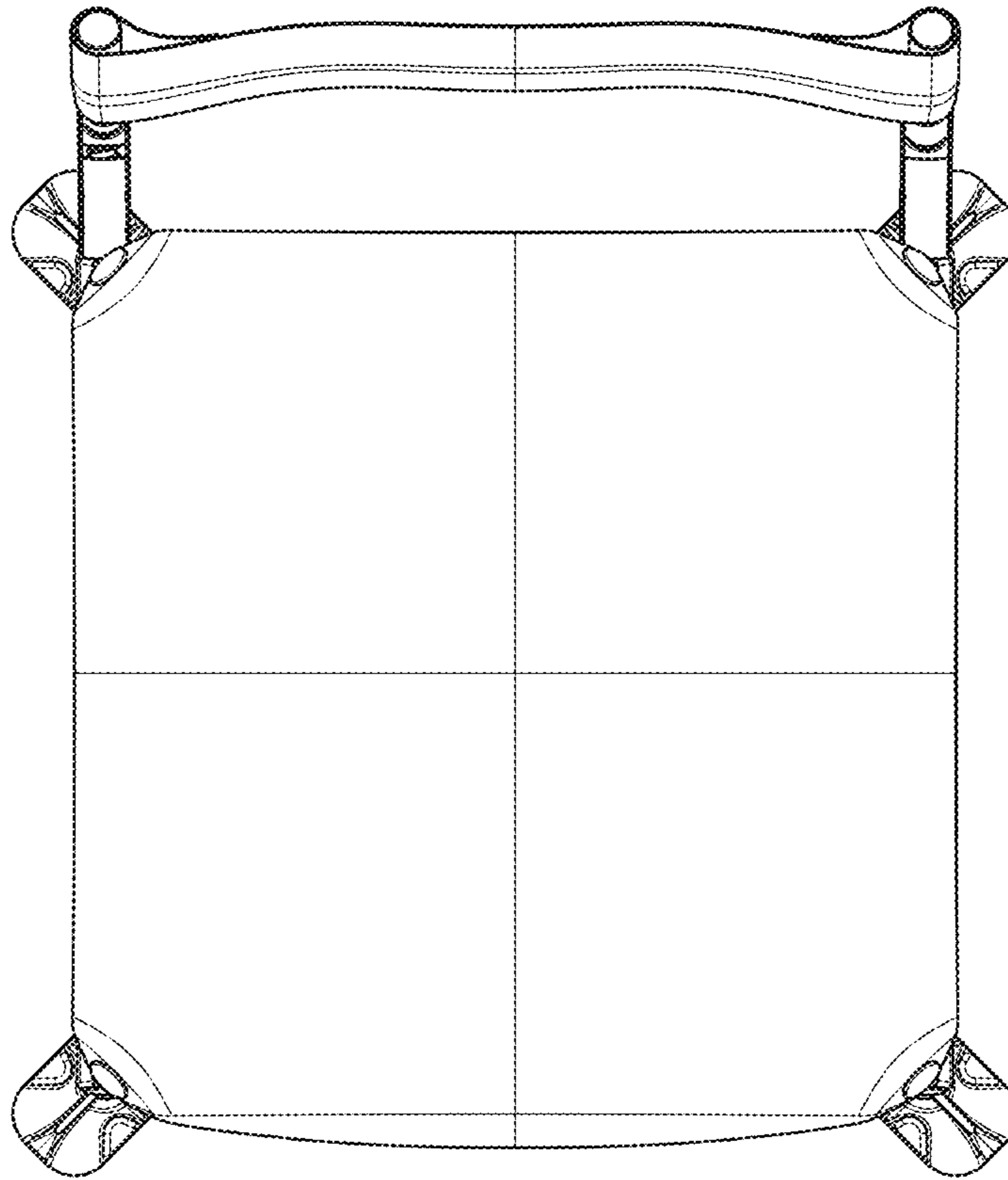


FIG. 8

