



US00D936383S

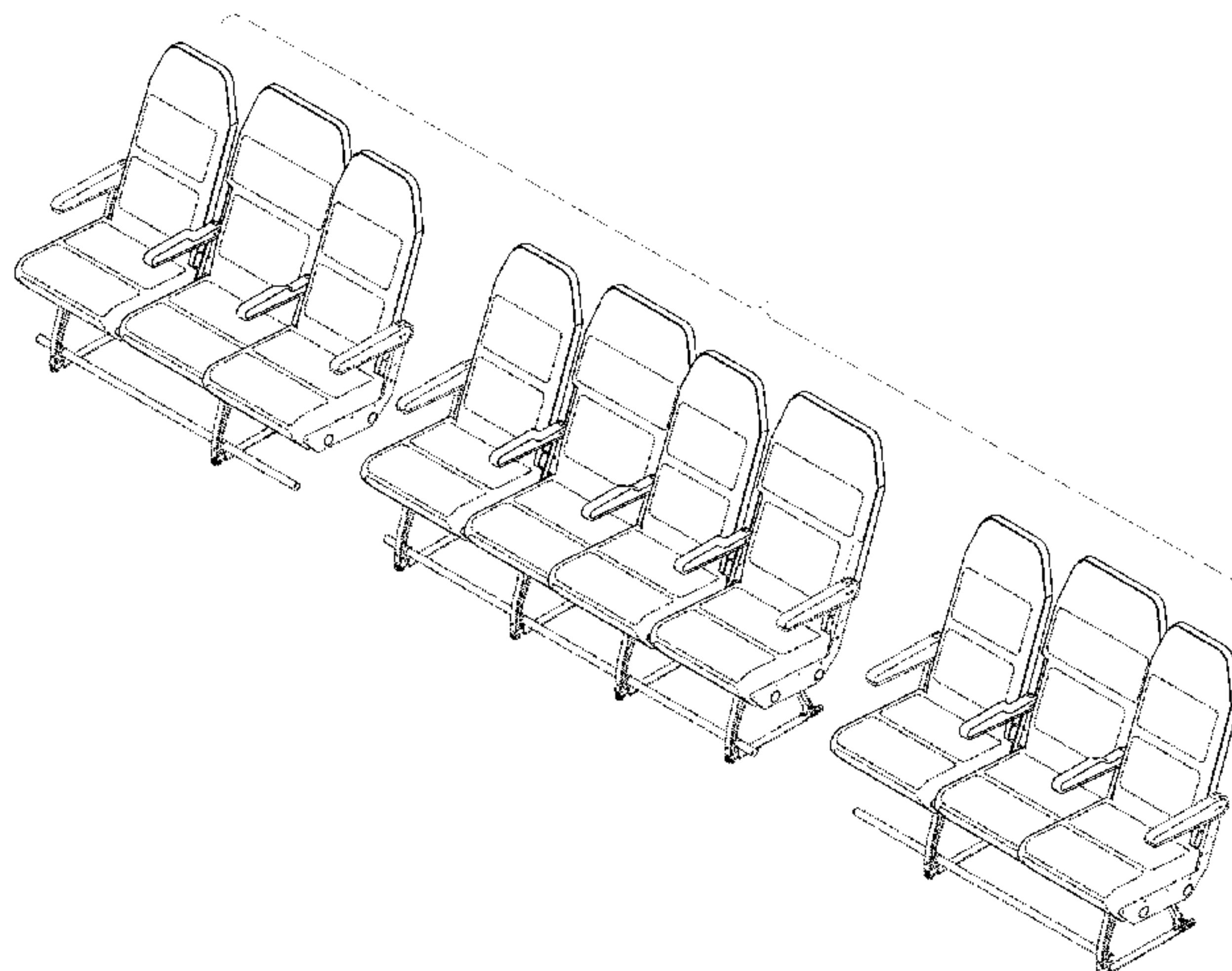
(12) **United States Design Patent** (10) **Patent No.:** **US D936,383 S**
Scott et al. (45) **Date of Patent:** **** Nov. 23, 2021**

- (54) **STAGGERED AIRCRAFT SEAT ASSEMBLY** 3,887,230 A 6/1975 Groning et al.
 3,893,729 A 7/1975 Sherman et al.
 4,113,311 A 9/1978 Reida
 D268,973 S 5/1983 White
 4,382,628 A 5/1983 Palmgren
 D274,138 S 6/1984 Grussner
 4,526,421 A * 7/1985 Brennan B64D 11/064
 297/232
- (71) Applicant: **MOLON LABE, LLC**, Lakewood, CO
 (US)
- (72) Inventors: **Frank Matthew Scott**, Breckenridge,
 CO (US); **Kevin Van Liere**, Louisville,
 CO (US)
- (73) Assignee: **Molon Labe, LLC**, Lakewood, CO
 (US)
- (**) Term: **15 Years**
- (21) Appl. No.: **29/700,327**
- (22) Filed: **Aug. 1, 2019**
- (51) **LOC (13) Cl.** **06-01**
- (52) **U.S. Cl.**
 USPC **D6/356**
- (58) **Field of Classification Search**
 USPC D6/334-336, 338, 356, 367, 371, 373,
 D6/716, 716.1, 716.2, 716.3, 716.4,
 D6/716.5; D12/195
 CPC B64D 11/00; B64D 11/06; B64D 11/0601;
 B64D 11/064; B64D 11/0646; B64D
 11/0647; B60N 2/06; B60N 2/22
 See application file for complete search history.

(56) **References Cited**

U.S. PATENT DOCUMENTS

- | | | | | | |
|-------------|---------|-------------------|--------------|---------|-----------------|
| 151,411 A | 5/1874 | Marshall | 6,824,213 B2 | 11/2004 | Skelly |
| 371,091 A | 10/1887 | Miller | 7,070,149 B2 | 7/2006 | McDonnell |
| 972,393 A | 10/1910 | Moore | D543,737 S | 6/2007 | Held |
| 1,643,236 A | 9/1927 | Bell | D547,981 S | 8/2007 | Cohen |
| 1,714,645 A | 5/1929 | Taggart | 7,252,569 B2 | 8/2007 | Everhart et al. |
| 2,026,016 A | 12/1935 | Blood | D557,949 S | 12/2007 | Moorhouse |
| 2,116,366 A | 5/1938 | Scott | 7,410,127 B1 | 8/2008 | Ahad |
| 2,523,960 A | 9/1950 | Liljengren et al. | D577,499 S | 9/2008 | Tsay |
| 2,696,246 A | 12/1954 | Putnam | 7,448,575 B2 | 11/2008 | Cheung et al. |
| D180,972 S | 9/1957 | Umanoff | 7,578,551 B2 | 8/2009 | Linero |
| D180,975 S | 9/1957 | Umanoff | D605,863 S | 12/2009 | Aruga |
| 3,050,333 A | 8/1962 | Smith | 7,828,390 B2 | 11/2010 | Liu |
| 3,572,615 A | 3/1971 | Firestone | 7,959,231 B2 | 6/2011 | Lee |
| 3,638,997 A | 2/1972 | Shapiro et al. | 8,002,357 B2 | 8/2011 | Cebula |
| | | | D645,681 S | 9/2011 | Grell |



8,091,961	B2	1/2012	Dryburgh	
8,118,359	B2	2/2012	Kyogoku et al.	
8,162,396	B2	4/2012	Edwards	
8,172,321	B2	5/2012	Hankinson et al.	
8,182,014	B2	5/2012	Mabuchi et al.	
D665,588	S	8/2012	Wada	
8,251,427	B2	8/2012	Lindsay	
8,393,677	B2	3/2013	Wieclawski	
8,393,680	B2	3/2013	Zimmermann et al.	
8,419,135	B2	4/2013	Moeseneder et al.	
D686,422	S *	7/2013	Robinson	D6/356
8,506,015	B2 *	8/2013	Le	B64D 11/06 297/452.18
D693,617	S	11/2013	Koski	
8,616,631	B2	12/2013	Westerink et al.	
8,678,311	B2	3/2014	Cheung et al.	
8,708,410	B2	4/2014	Scott	
8,763,954	B2	7/2014	Rajasingham	
8,793,963	B2 *	8/2014	Gonnsen	B64D 11/00 52/746.1
8,864,071	B2	10/2014	Vergaud et al.	
8,888,160	B2	11/2014	Woodhouse et al.	
8,931,846	B2	1/2015	Merensky	
8,950,796	B2	2/2015	Woodhouse et al.	
D723,822	S	3/2015	Cai	
D724,337	S *	3/2015	Nicholas	D6/356
D724,338	S *	3/2015	Nicholas	D6/356
D724,339	S	3/2015	Cai	
8,973,966	B2	3/2015	Woodhouse et al.	
8,998,139	B2	4/2015	Dryburgh et al.	
9,060,614	B1	6/2015	Gibilterra	
D733,442	S	7/2015	Dryburgh et al.	
9,102,243	B2	8/2015	Woodhouse et al.	
9,132,918	B2	9/2015	Bamford et al.	
9,178,550	B2	11/2015	Shah et al.	
D750,392	S	3/2016	Wilkens	
9,315,270	B2	4/2016	Dryburgh et al.	
9,346,504	B2	5/2016	Segato	
9,358,908	B2	6/2016	Rajasingham	
9,359,079	B2	6/2016	Scott et al.	
9,398,812	B2	7/2016	Sanae	
9,428,088	B1	8/2016	Rajasingham	
9,446,686	B2	9/2016	Woodhouse et al.	
9,475,407	B2	10/2016	Byun	
9,511,694	B2	12/2016	Mendicino et al.	
9,533,765	B2	1/2017	Vergnaud et al.	
9,623,776	B2	4/2017	Colsky	
9,630,717	B2	4/2017	Wilkens	
9,650,145	B2 *	5/2017	Lambert	B64D 11/06
9,682,643	B2	6/2017	Wegenka et al.	
9,708,065	B2	7/2017	Sankrithi et al.	
9,764,844	B2	9/2017	Le et al.	
9,771,156	B2	9/2017	Brownjohn et al.	
9,796,296	B2	10/2017	Cailleteau	
9,821,691	B2	11/2017	Brockman	
9,828,101	B2	11/2017	Shih	
9,834,308	B2	12/2017	Henshaw	
9,908,445	B2	3/2018	Park et al.	
9,925,895	B2	3/2018	Ellis et al.	
10,017,255	B2	7/2018	Smallhorn	
10,035,433	B2	7/2018	Muraiti et al.	
10,035,599	B2	7/2018	Ruiz Lara et al.	
D840,701	S *	2/2019	Scott	D6/356
D850,177	S *	6/2019	Scott	D6/716.2
D866,209	S *	11/2019	Princip	D6/356
D867,775	S *	11/2019	Scott	D6/356
10,569,882	B2 *	2/2020	Scott	B64D 11/0646
10,647,432	B2 *	5/2020	Itzinger	B64D 11/06
11,040,775	B2 *	6/2021	Wong	B64D 11/064
2002/0033432	A1	3/2002	Mikosza	
2003/0094842	A1 *	5/2003	Williamson	B64D 11/064 297/362.13
2007/0241233	A1	10/2007	Cona	
2007/0241235	A1	10/2007	Atchison	
2008/0087767	A1	4/2008	Scott	
2009/0127911	A1	5/2009	Schumacher et al.	
2010/0282902	A1	11/2010	Rajasingham	
2010/0295358	A1	11/2010	Lee	
2011/0031772	A1	2/2011	Mabuchi et al.	

2011/0175411	A1	7/2011	Wagner et al.
2011/0272991	A1	11/2011	Saxton
2012/0274108	A1	11/2012	Kim
2012/0292957	A1	11/2012	Vergnaud et al.
2012/0305705	A1	12/2012	Vergnaud et al.
2013/0193726	A1	8/2013	Rajasingham
2015/0014481	A1	1/2015	Vandewall
2015/0166181	A1	6/2015	Scott
2015/0202992	A1	7/2015	Cailleteau
2015/0210395	A1	7/2015	St. Jalmes
2016/0009397	A1	1/2016	Rajasingham
2016/0150887	A1	6/2016	Wallis
2016/0318611	A1	11/2016	Brownjohn et al.
2018/0105272	A1	4/2018	Scott

FOREIGN PATENT DOCUMENTS

CN	102015358	A	4/2011	
CN	102753436	A	10/2012	
CN	102849212	A	1/2013	
CN	104507808	A	4/2015	
CN	102753436	B	5/2015	
CN	105857328	A	8/2016	
CN	102849212	B	3/2017	
DE	10 2010 019 192	A1	11/2011	
DE	102017107154	A1 *	10/2018 B60N 2/643
EP	0658477	A1	6/1995	
EP	0747286	A	12/1996	
EP	1801010		6/2007	
EP	1864850	A1	12/2007	
EP	2 214 927	A1	8/2010	
EP	2 471 684	A1	4/2012	
EP	2520491	A1	7/2012	
EP	2507131	A2	10/2012	
EP	2 214 927	B1	11/2013	
EP	2507131	B1	2/2017	
FR	2953168	A1	2/2009	
FR	2949214	A1	2/2011	
GB	2455130	B	3/2009	
GB	2514356	A	11/2014	
GB	2514356	B	11/2017	
WO	1990002685	A1	3/1990	
WO	2008043430		4/2008	
WO	2011067286	A2	6/2011	
WO	2011067286	A3	6/2011	
WO	2011081289	A1	7/2011	
WO	2013185035	A1	12/2013	
WO	2014161853	A1	10/2014	
WO	2014011320		1/2015	
WO	2016168200	A1	10/2016	

OTHER PUBLICATIONS

English Abstract of CN102015358, Apr. 13, 2011, 1 pp.
 English Abstract of CN102753436A, Oct. 24, 2012, 1 pp.
 English Abstract of CN102753436B, May 13, 2015, 2 pp.
 English Abstract of CN102849212A, Jan. 2, 2013, 2 pp.
 English Abstract of CN102849212B, Mar. 1, 2017, 2 pp.
 English Abstract of CN104507808A, Apr. 8, 2015, 2 pp.
 English Abstract of CN105857328A, Aug. 17, 2016, 2 pp.
 English Abstract of DE102010019192, Nov. 10, 2011, 1 pp.
 English Abstract of EP2507121B1, Feb. 22, 2017, 2 pp.
 English Abstract of FR2953168, Jun. 3, 2011, 2 pp.
 Coffey, Helen, "New Aeroplane Design Could See Passengers FIGHTING over who gets the MIDDLE seat", Jan. 25, 2017, <http://www.express.co.uk/travel/articles/758728/flight-side-slip-seat-design>, 2017.
 "Molon Labe Rethinks the Middle Seat with Staggered Seating Options" Mar. 23, 2017, apex.aero, site visited Jan. 3, 2019, <<https://apex.aero/2017/03/23/molon-labe-rethinks-middle-seat-staggered-seating-options>> (Year: 2017), 1 pp.

* cited by examiner

Primary Examiner — Mimosa De

(74) *Attorney, Agent, or Firm* — James A. Sheridan;
Sheridan Law, LLC

(57) **CLAIM**

We claim the ornamental design for a staggered aircraft seat assembly, as shown and described.

DESCRIPTION

FIG. 1 is a perspective view of adjacent seats in a staggered formation forming a staggered aircraft seat assembly of four seats, showing our new design, with each of the multilevel aircraft seats providing differing height support surfaces for passengers relative to adjacent seats in the staggered formation;

FIG. 2 is a front elevational view thereof;

FIG. 3 is a rear elevational view thereof;

FIG. 4 is a top plan view thereof;

FIG. 5 is a bottom plan view thereof;

FIG. 6 is a right side elevational view thereof;

FIG. 7 is a left side elevational view thereof;

FIG. 8 is a perspective view of adjacent seats in a staggered formation forming a staggered aircraft seat assembly in a row configuration of three seats, an aisle, four seats, an aisle, and three seats, showing our new design, with each of the multilevel aircraft seats providing differing height support surfaces for passengers relative to adjacent seats in the staggered formation;

FIG. 9 is a front elevational view thereof;

FIG. 10 is a rear elevational view thereof;

FIG. 11 is a top plan view thereof;

FIG. 12 is a bottom plan view thereof;

FIG. 13 is a right side elevational view thereof;

FIG. 14 is a left side elevational view thereof;

FIG. 15 is a perspective view of adjacent seats in a staggered formation forming a staggered aircraft seat assembly in a row configuration of three seats, an aisle, three seats, an aisle, and three seats, showing our new design, with the middle seat lowered and rearward of the two adjacent seats, and with each of the multilevel aircraft seats providing differing height support surfaces for passengers relative to adjacent seats in the staggered formation;

FIG. 16 is a front elevational view thereof;

FIG. 17 is a rear elevational view thereof;

FIG. 18 is a top plan view thereof;

FIG. 19 is a bottom plan view thereof;

FIG. 20 is a right side elevational view thereof;

FIG. 21 is a left side elevational view thereof;

FIG. 22 is a perspective view of adjacent seats in a staggered formation forming a staggered aircraft seat assembly in a row configuration of three seats, an aisle, three seats, an aisle, and three seats, showing our new design, with the middle seat raised and forward of the two adjacent seats, and with each of the multilevel aircraft seats providing differing height support surfaces for passengers relative to adjacent seats in the staggered formation;

FIG. 23 is a front elevational view thereof;

FIG. 24 is a rear elevational view thereof;

FIG. 25 is a top plan view thereof;

FIG. 26 is a bottom plan view thereof;

FIG. 27 is a right side elevational view thereof; and,

FIG. 28 is a left side elevational view thereof.

1 Claim, 28 Drawing Sheets

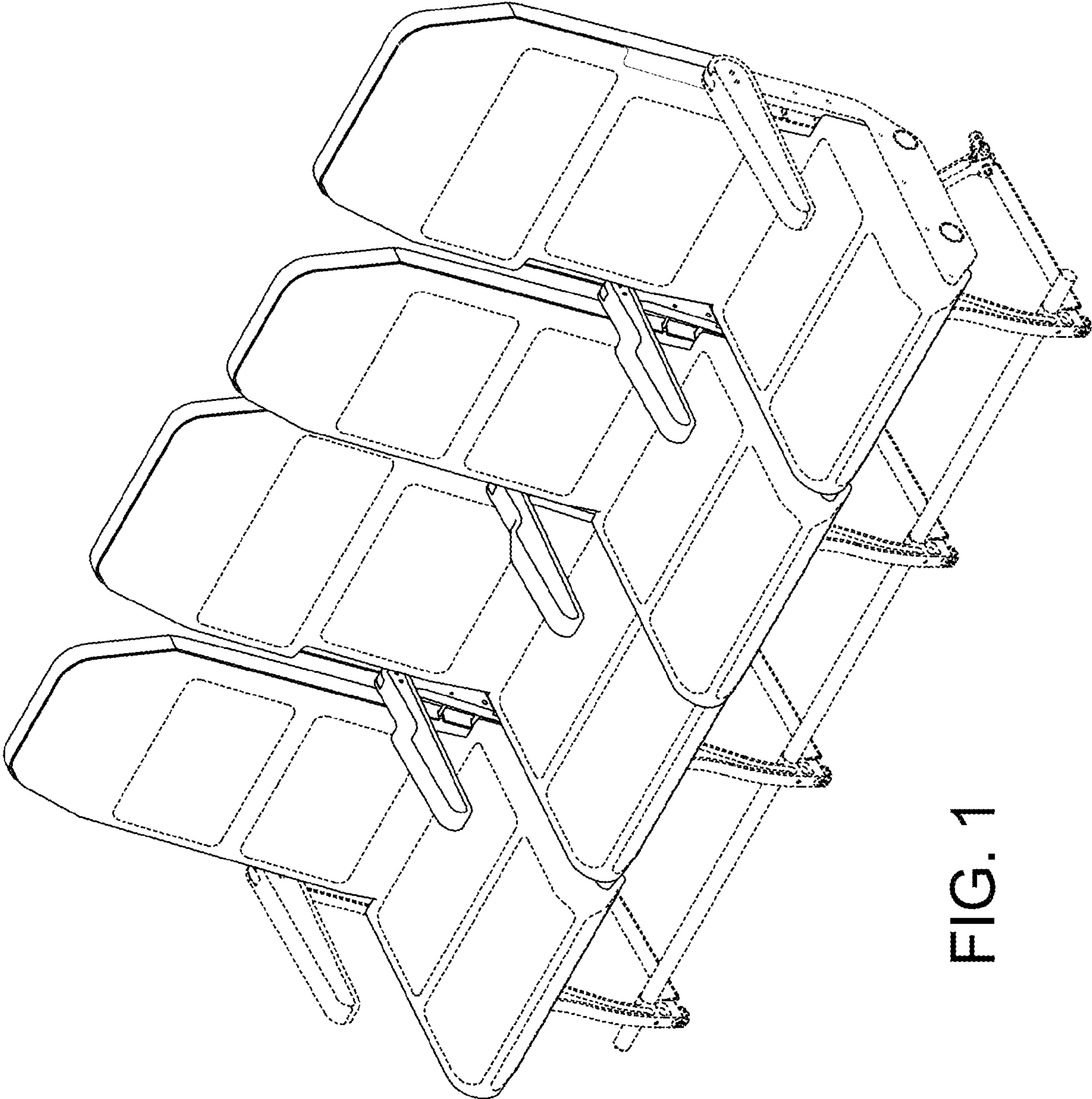


FIG. 1

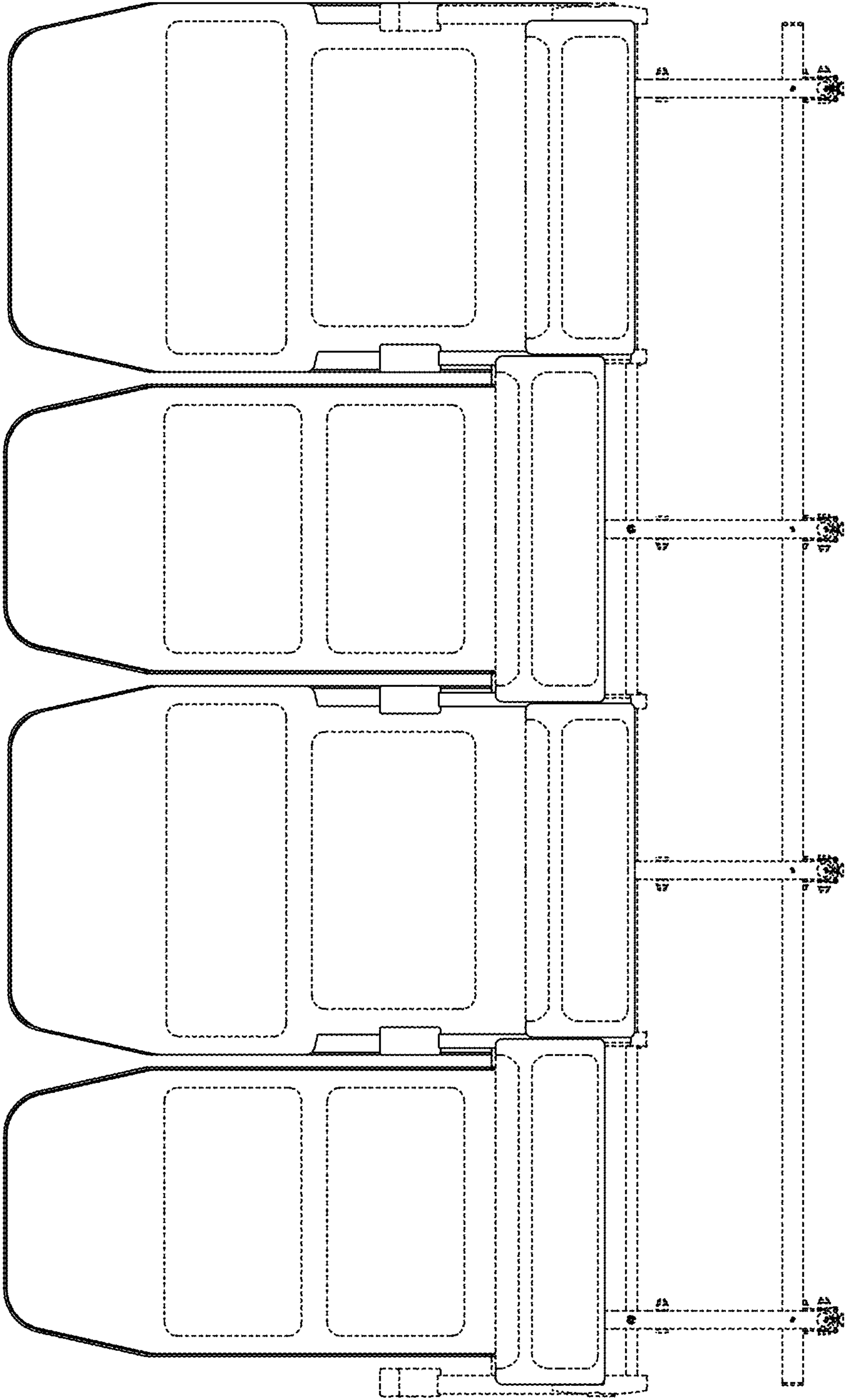


FIG. 2

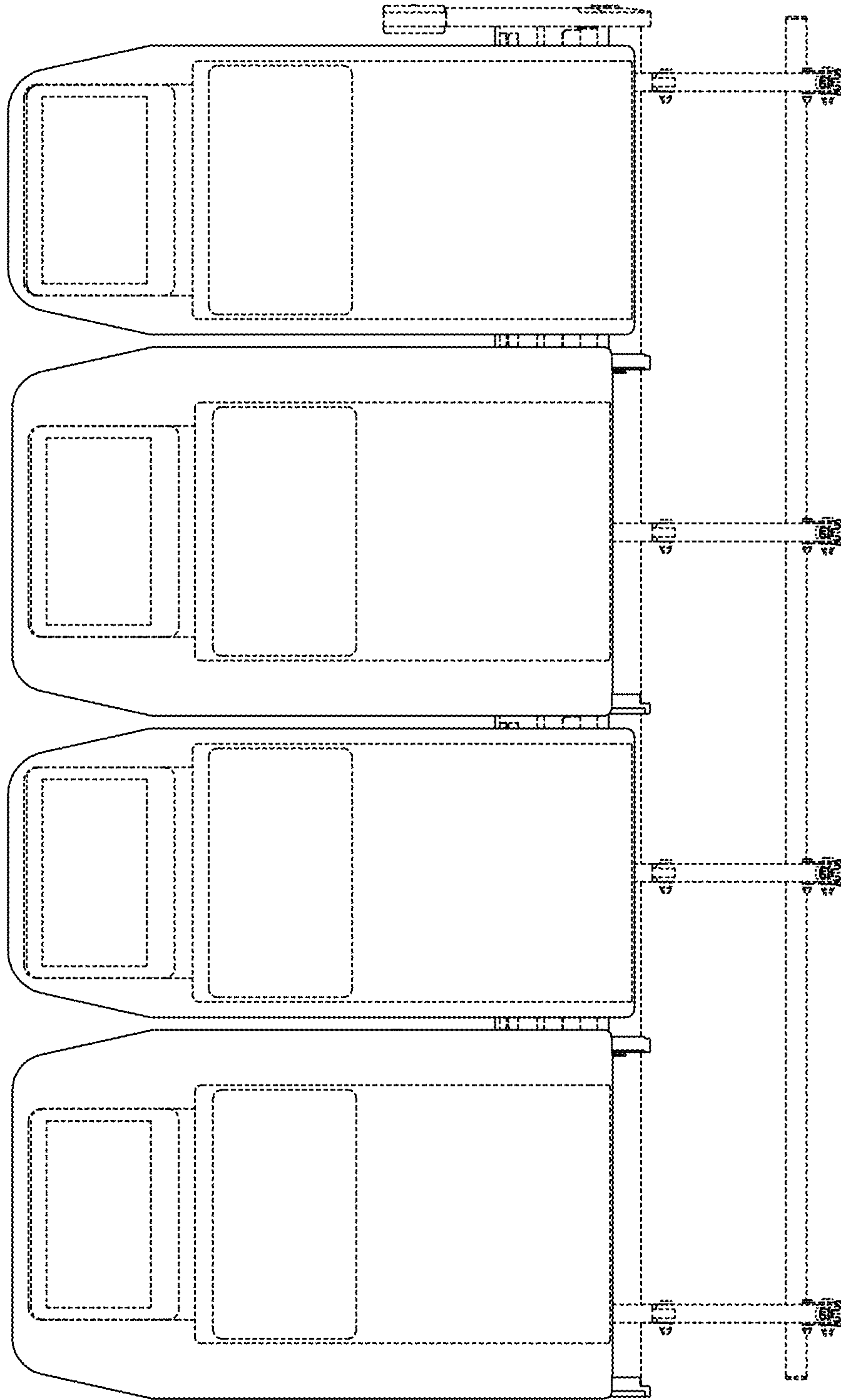


FIG. 3

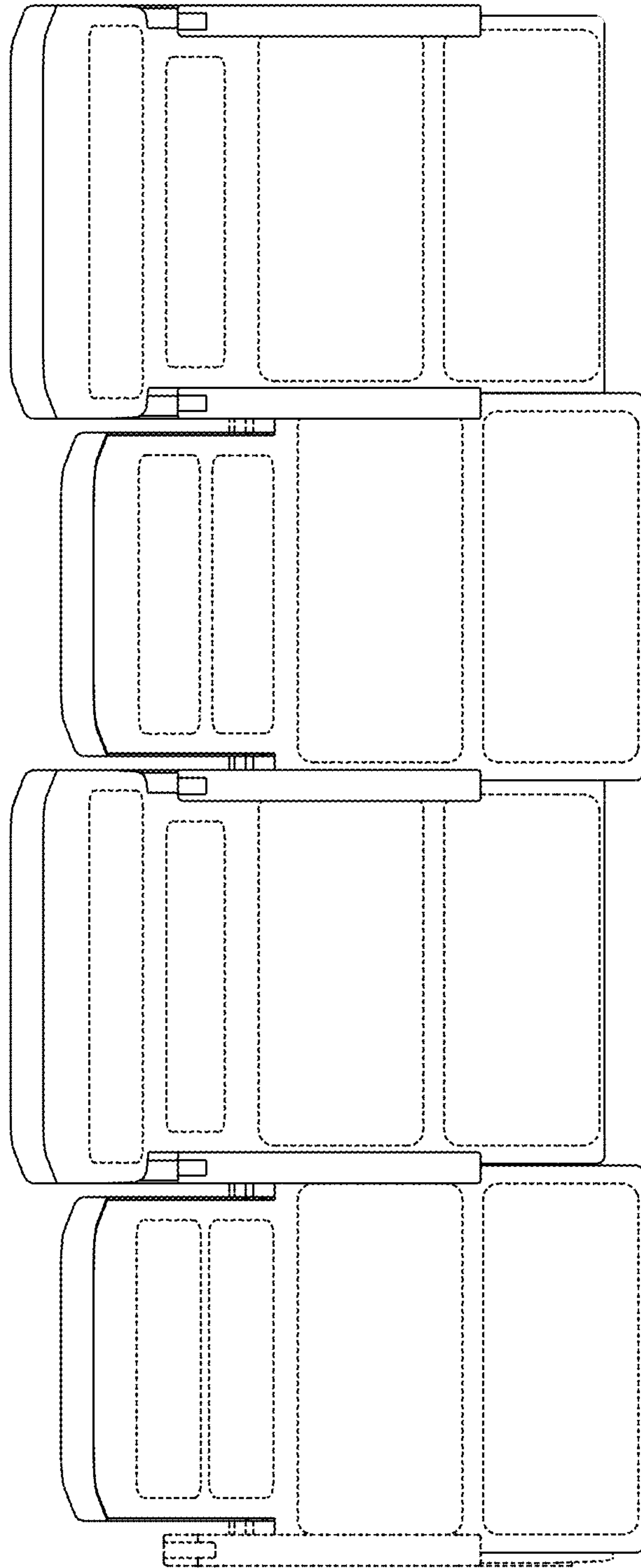


FIG. 4

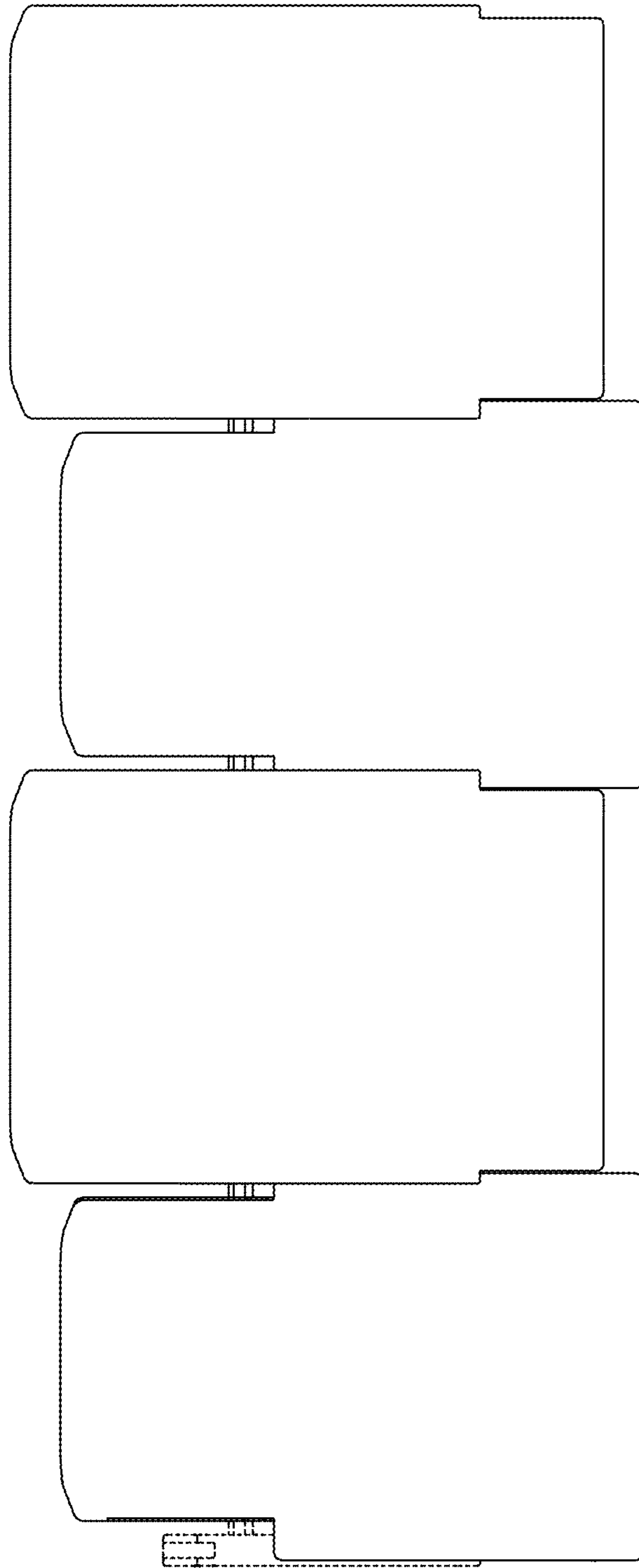


FIG. 5

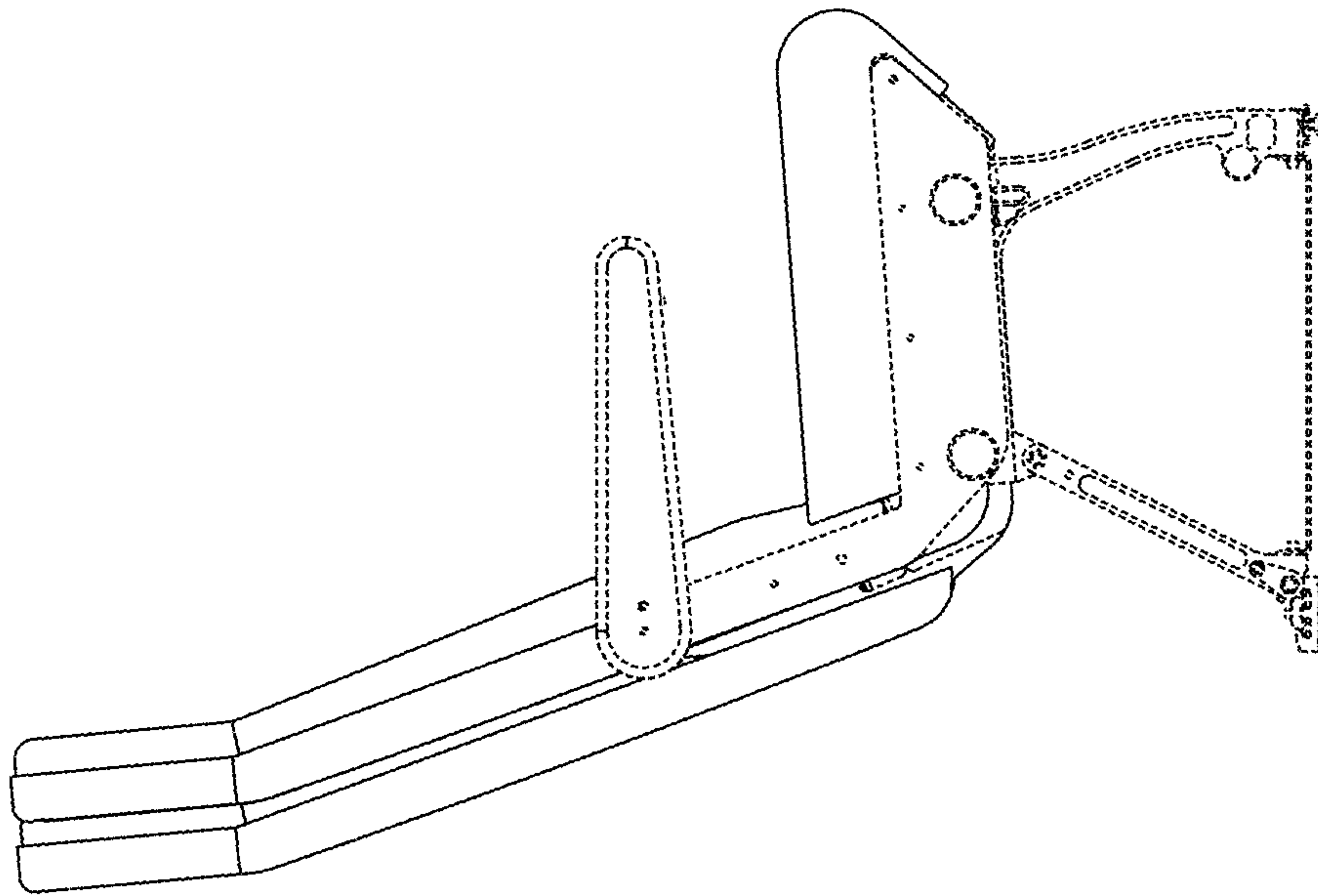


FIG. 6

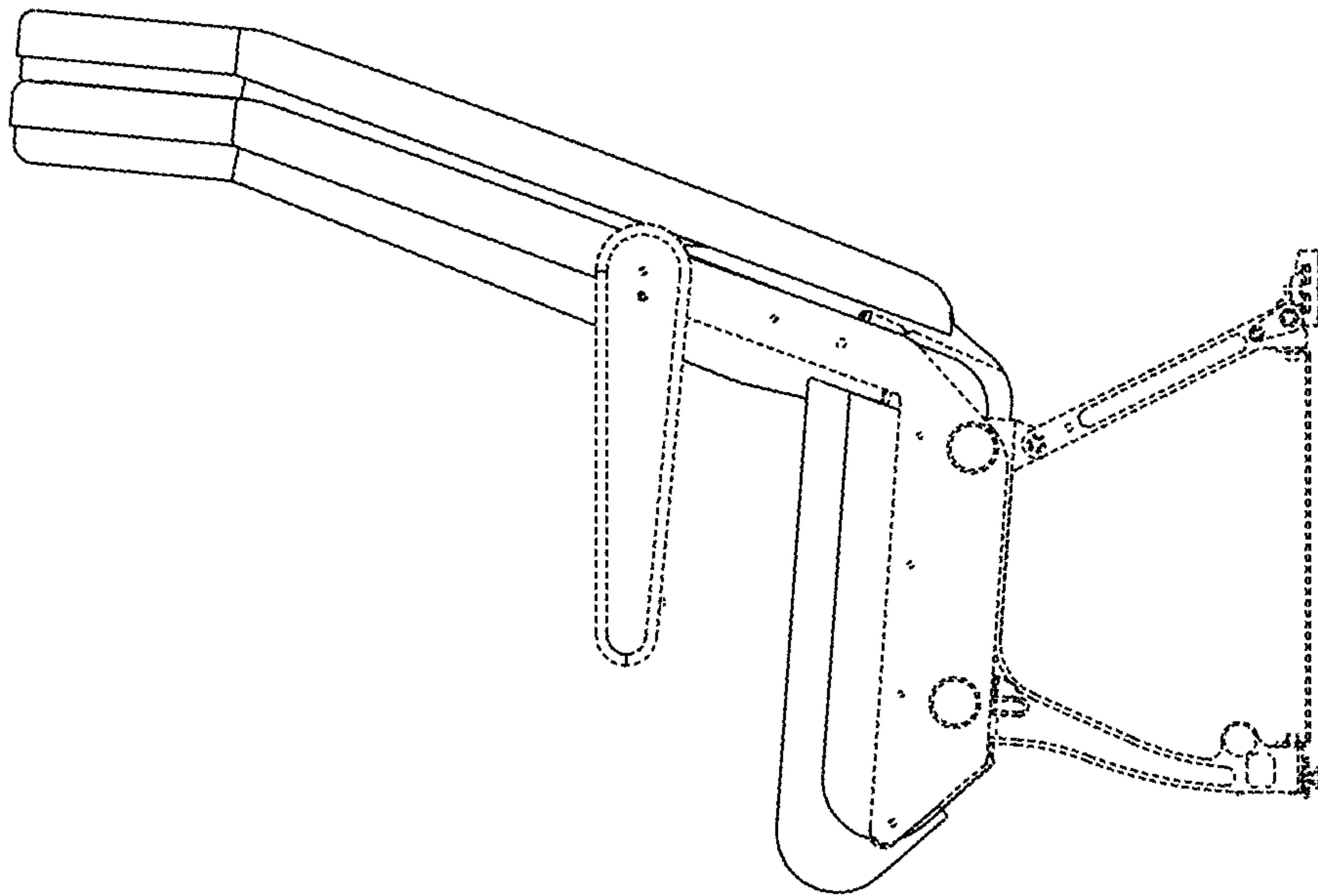


FIG. 7

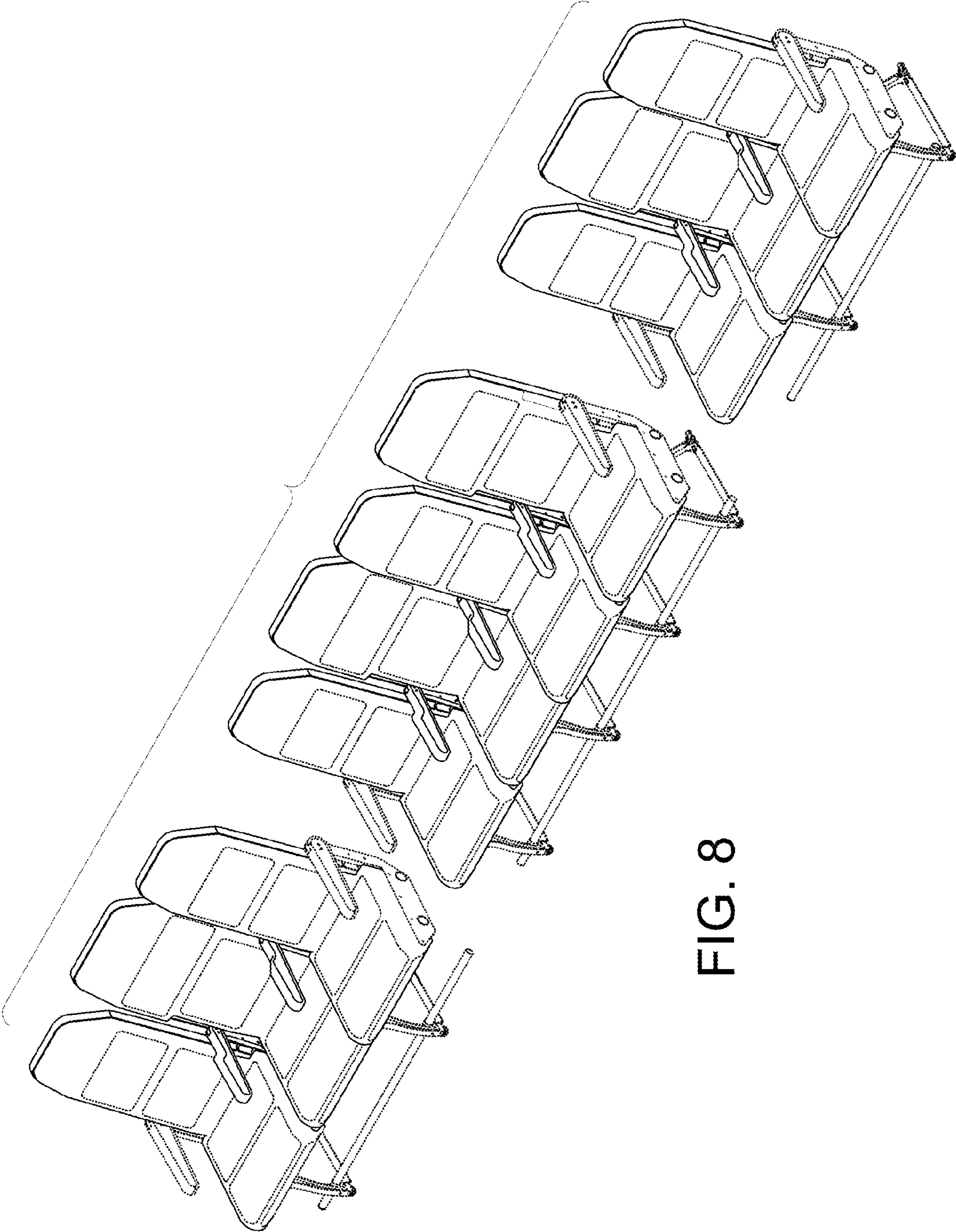


FIG. 8

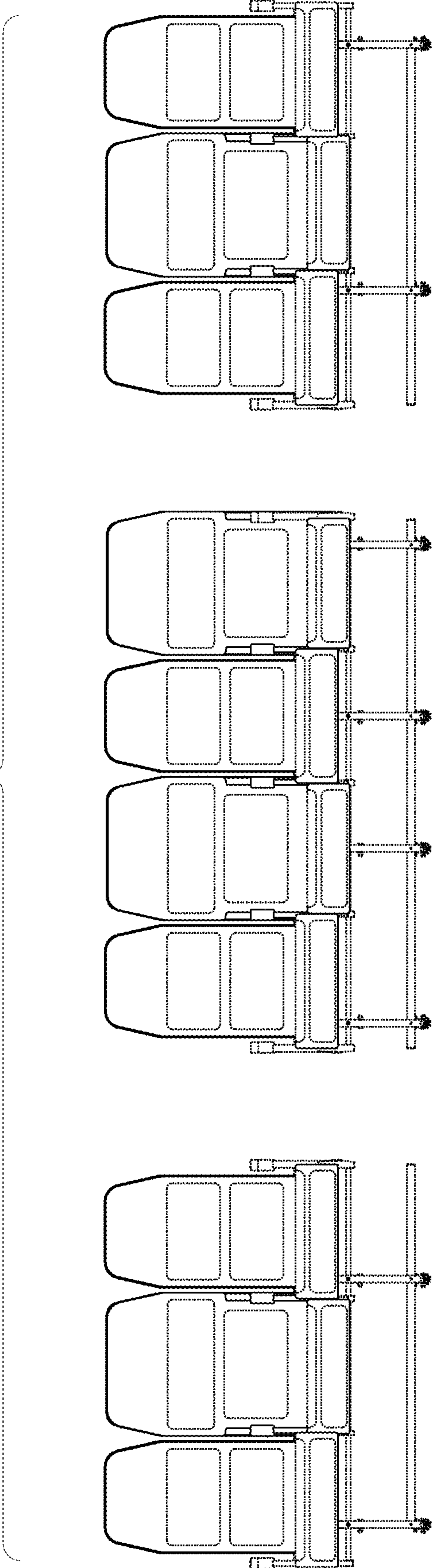


FIG. 9

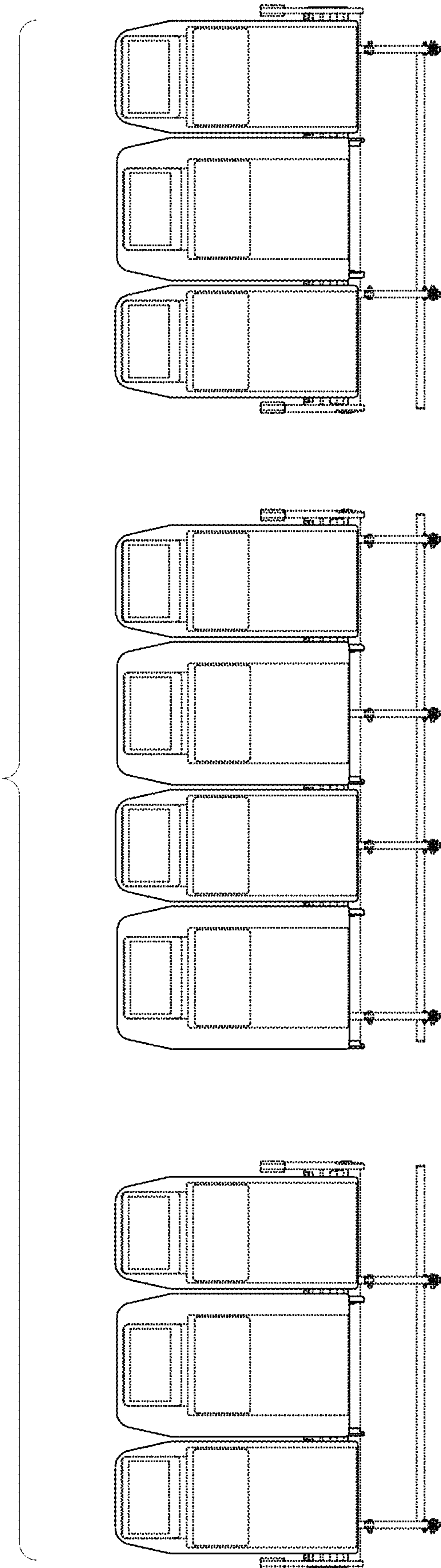


FIG. 10

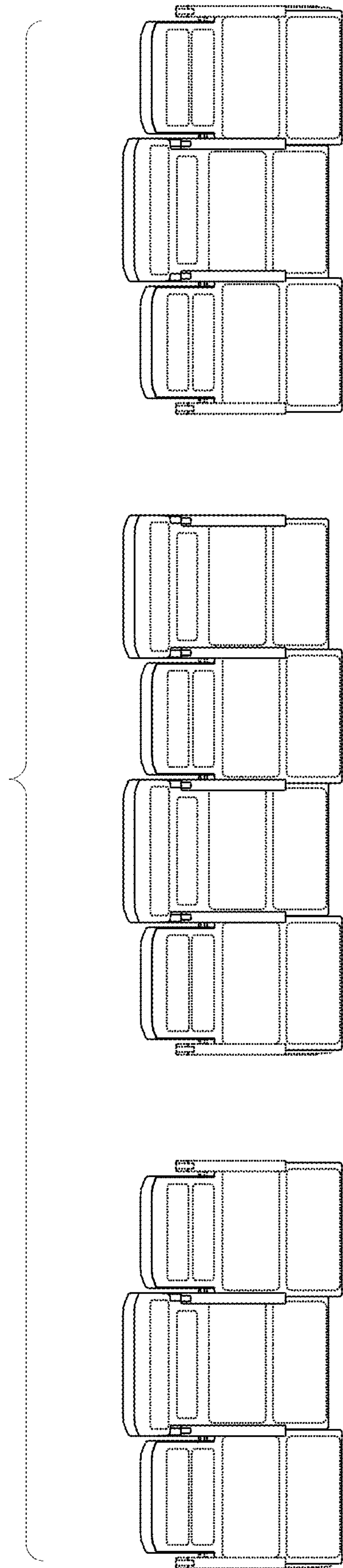


FIG. 11

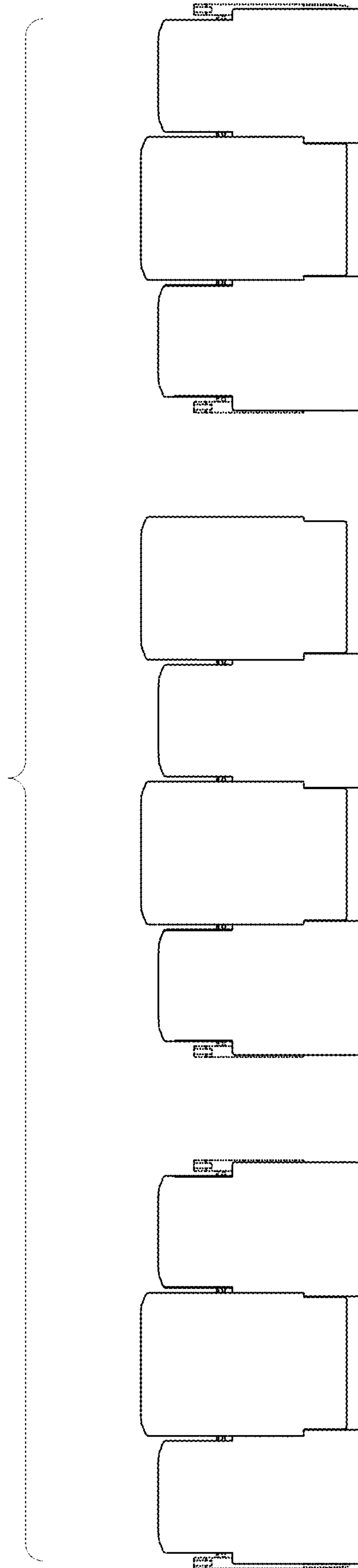


FIG. 12

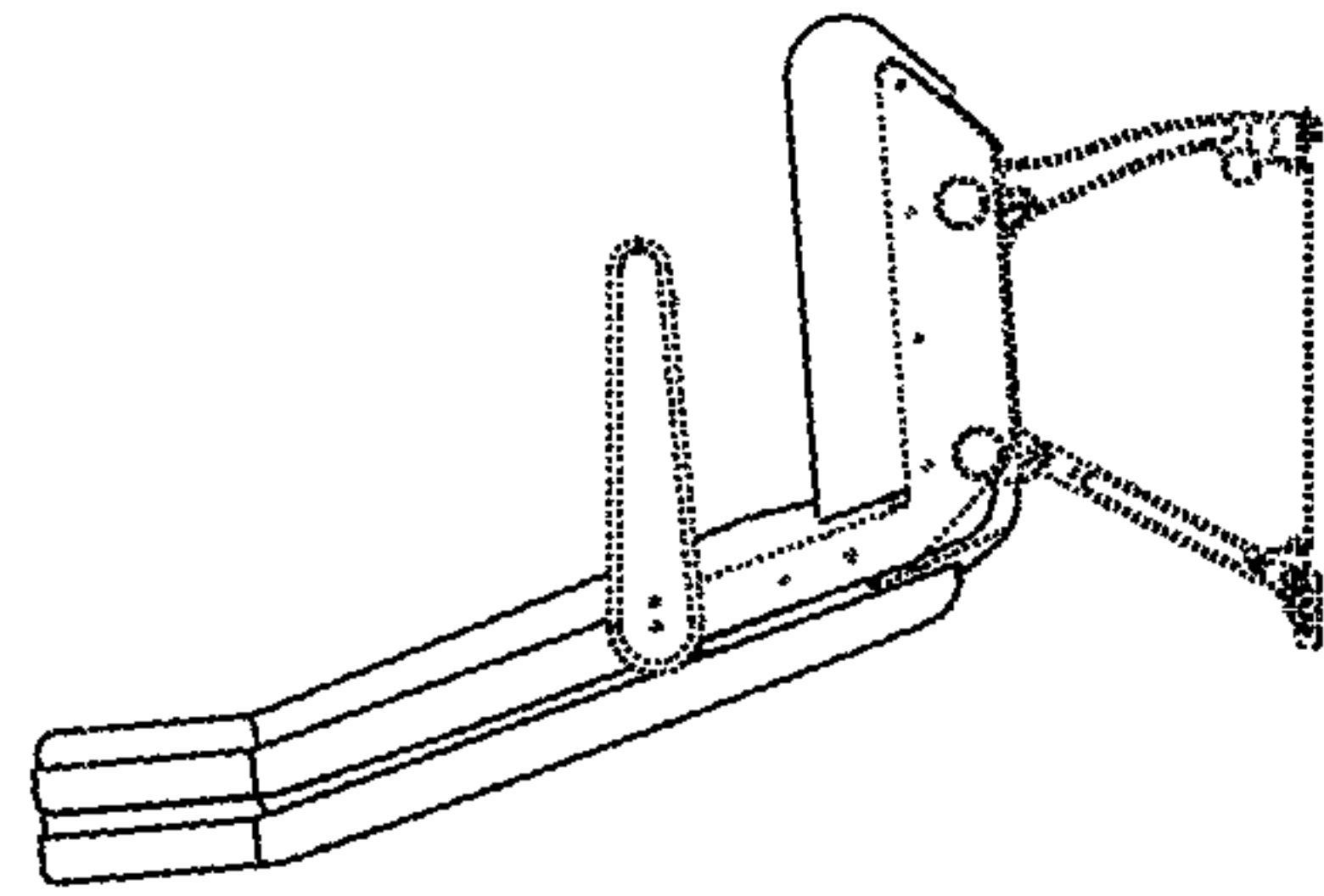


FIG. 13

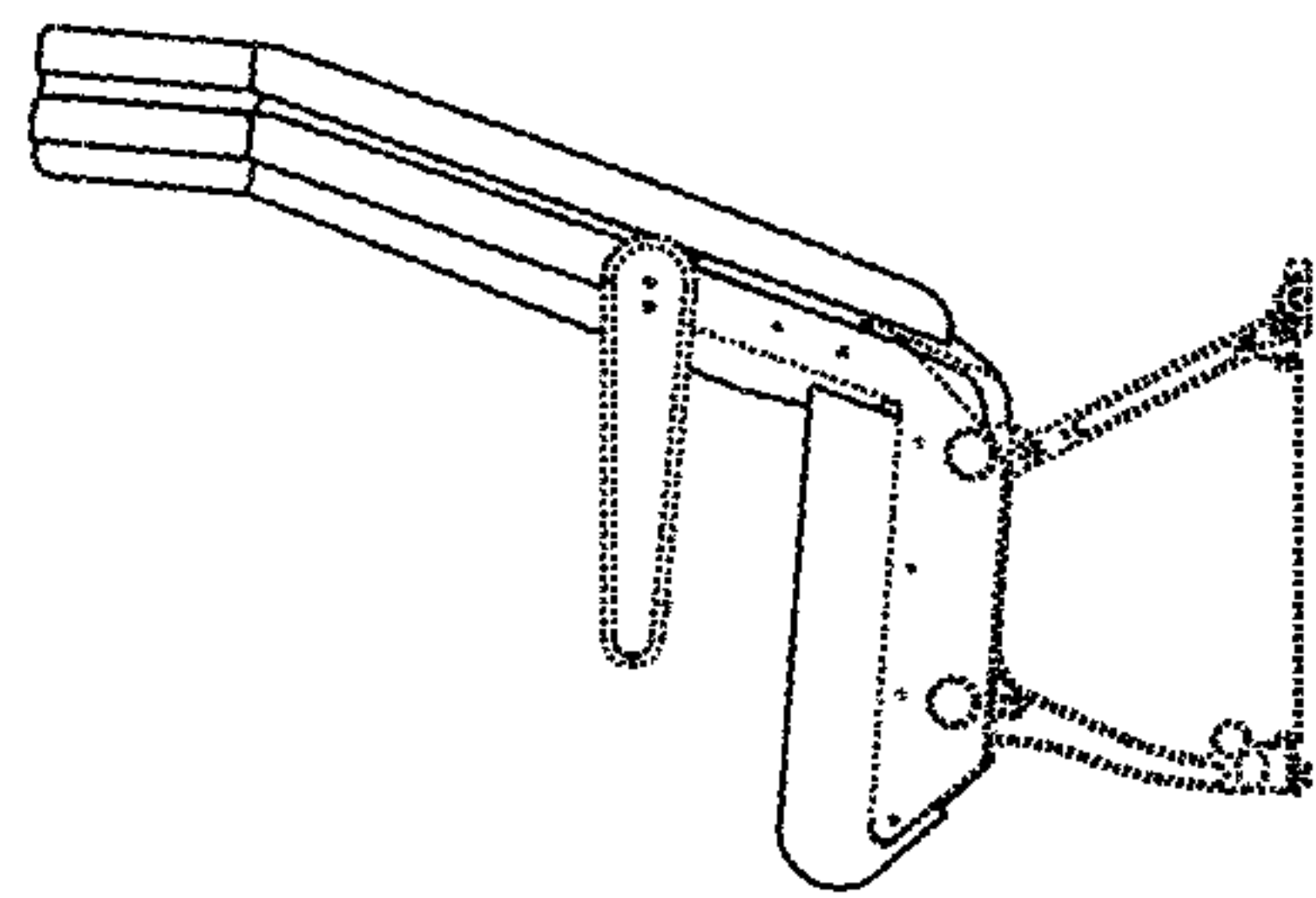


FIG. 14

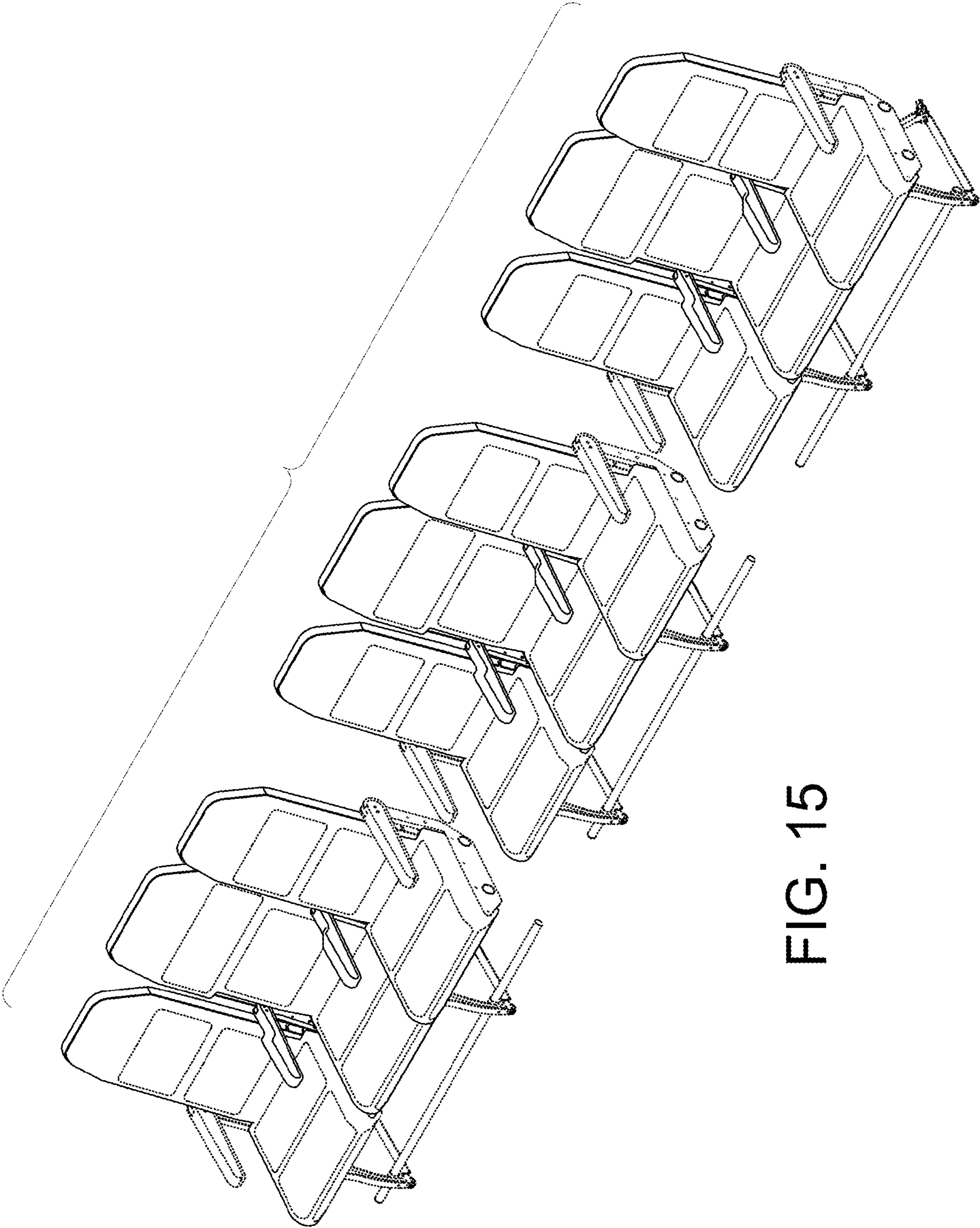


FIG. 15

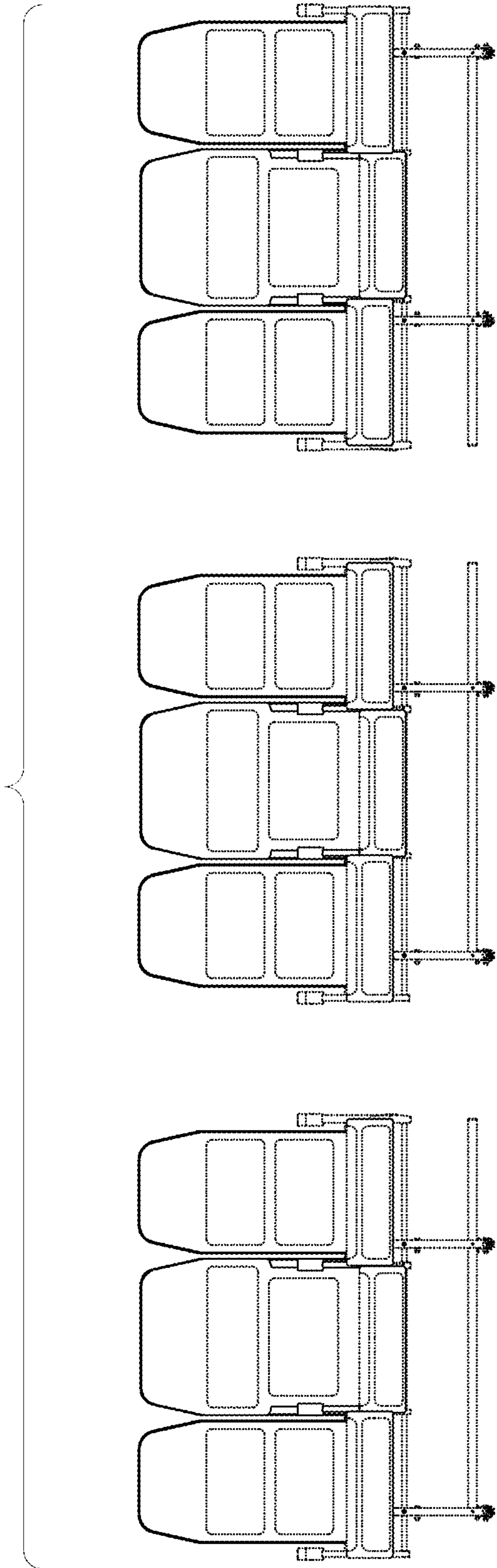


FIG. 16

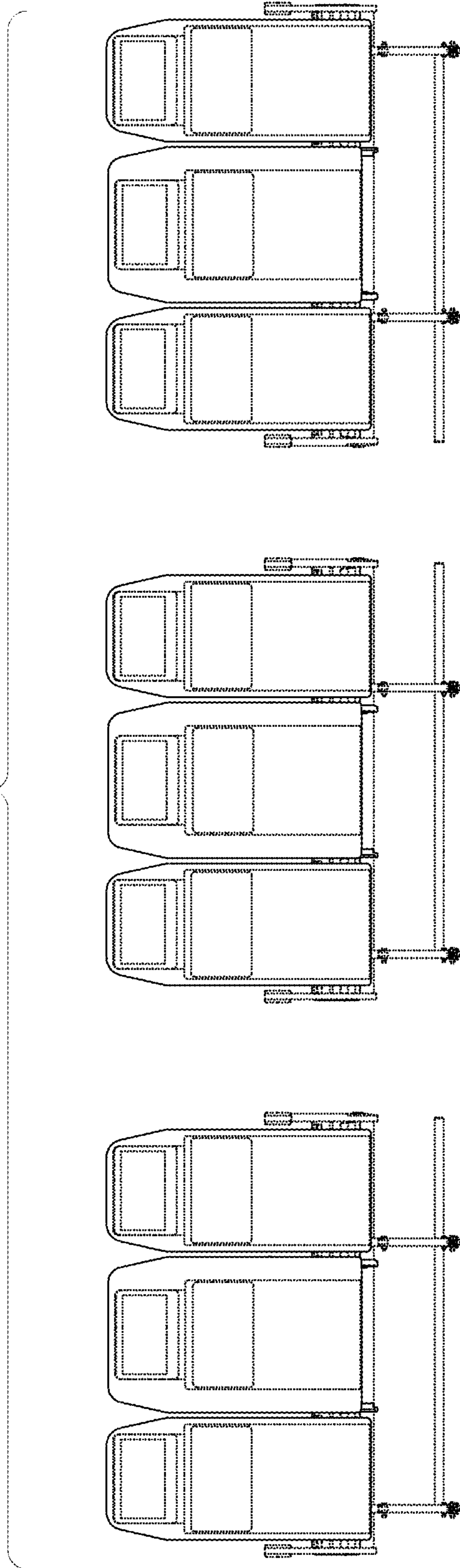


FIG. 17

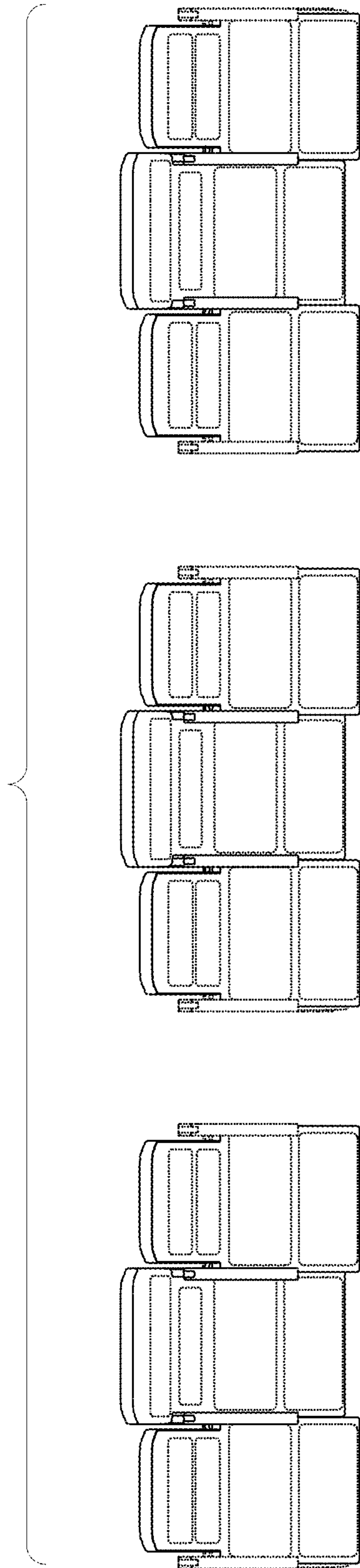


FIG. 18

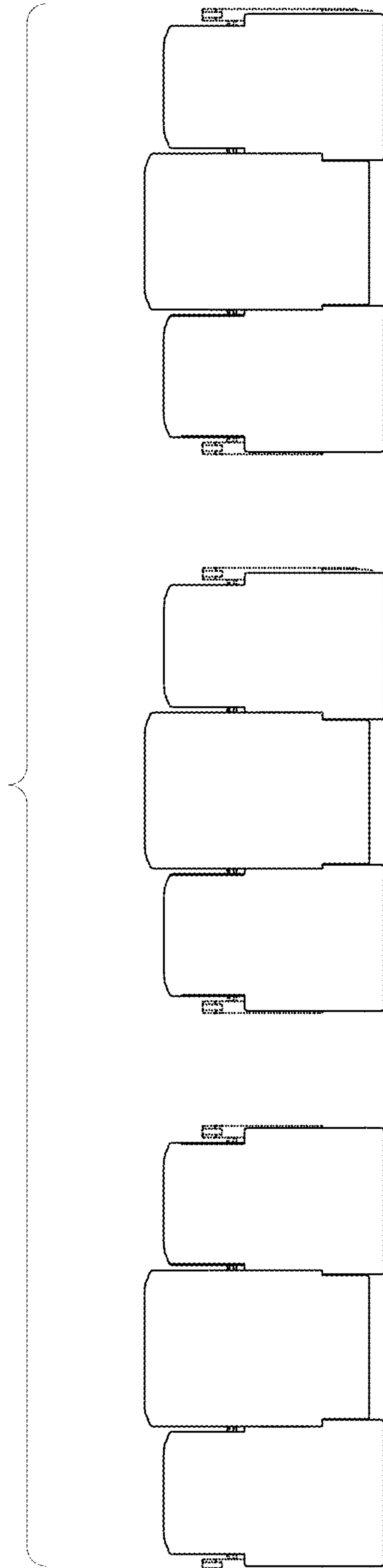


FIG. 19

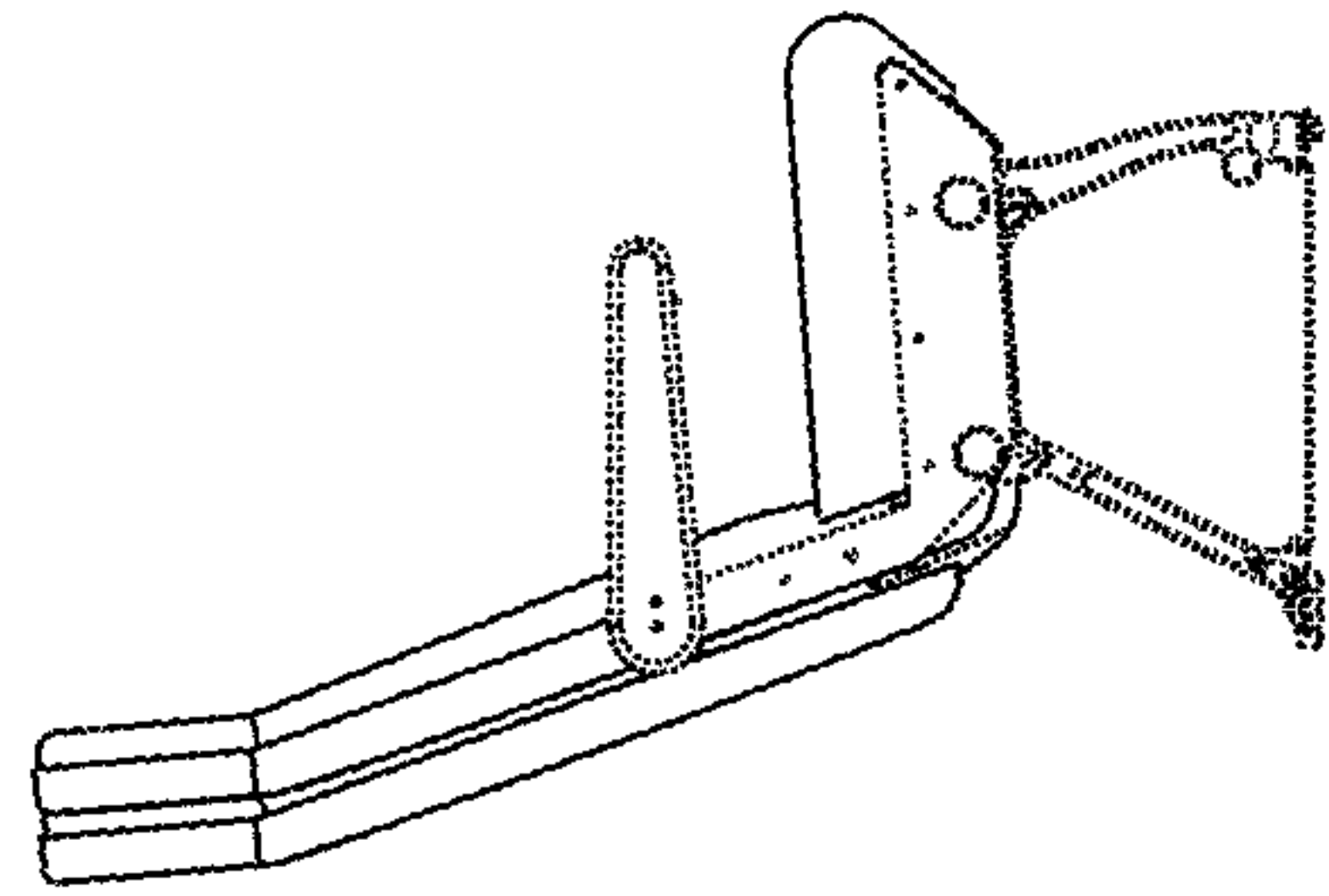


FIG. 20

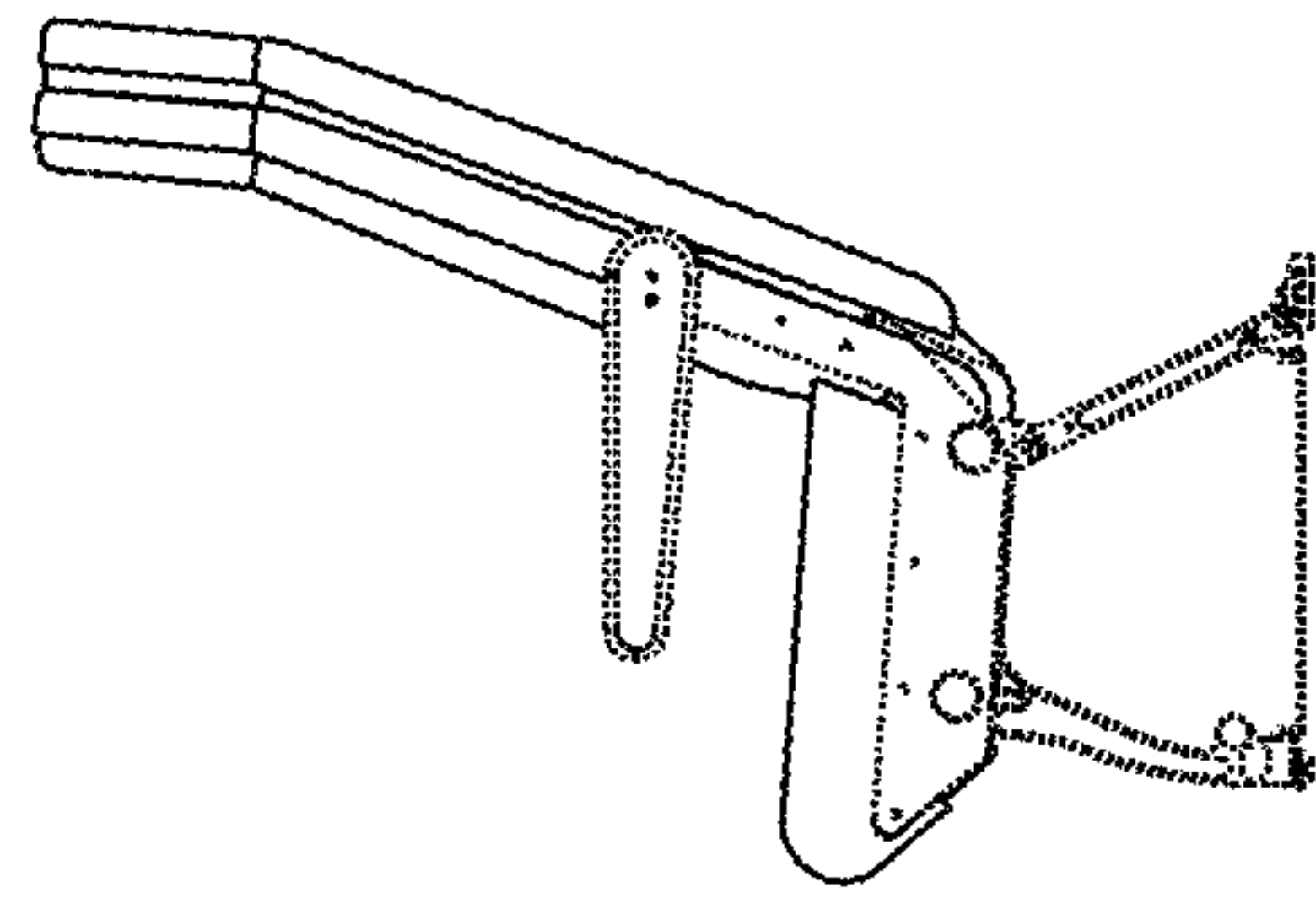


FIG. 21

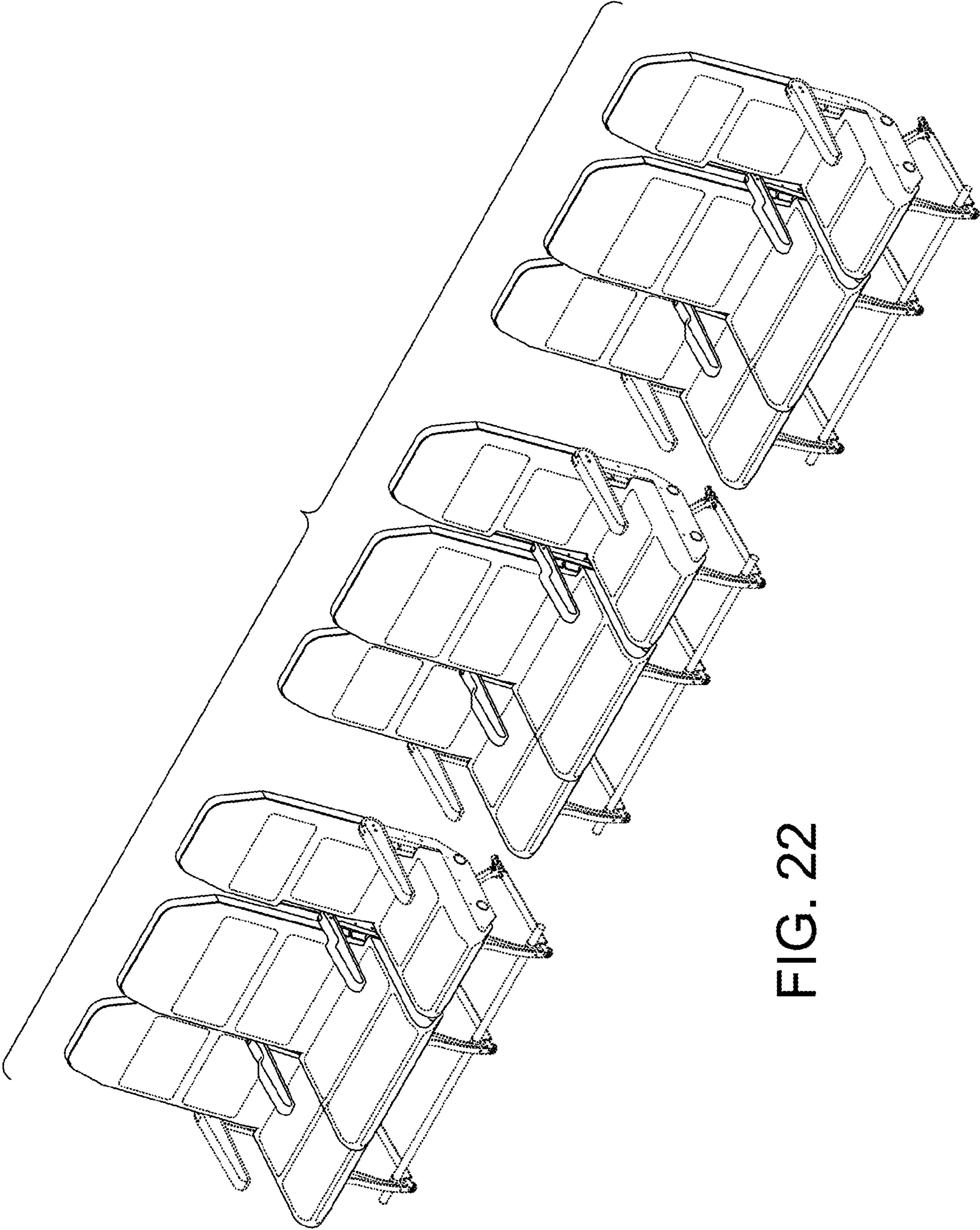


FIG. 22

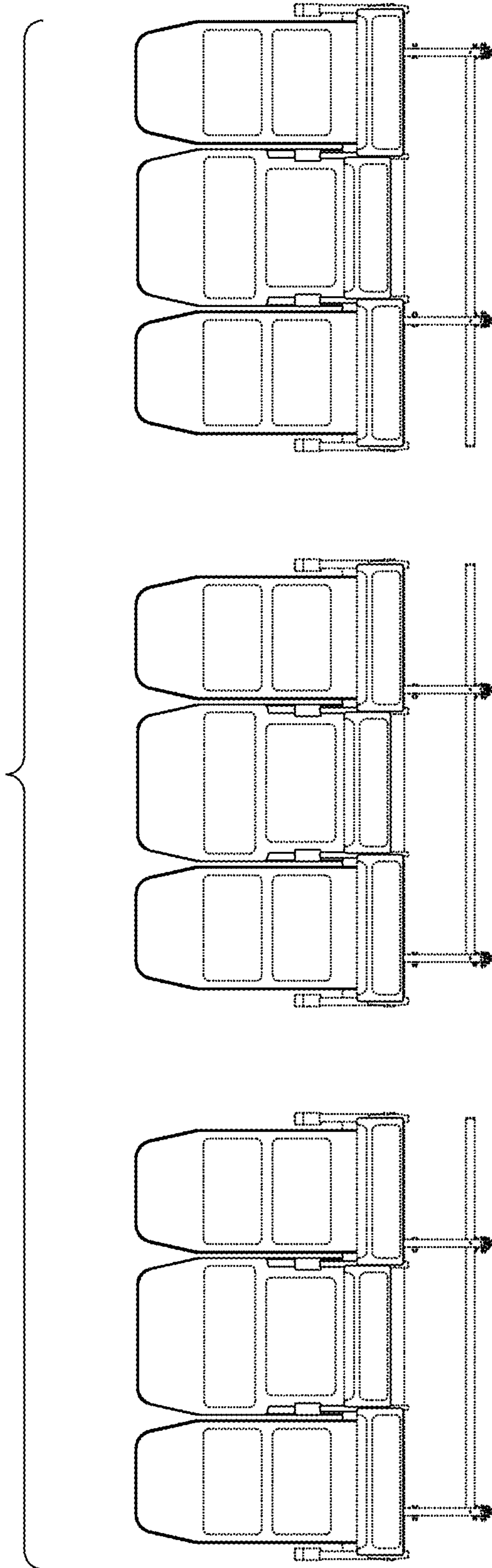


FIG. 23

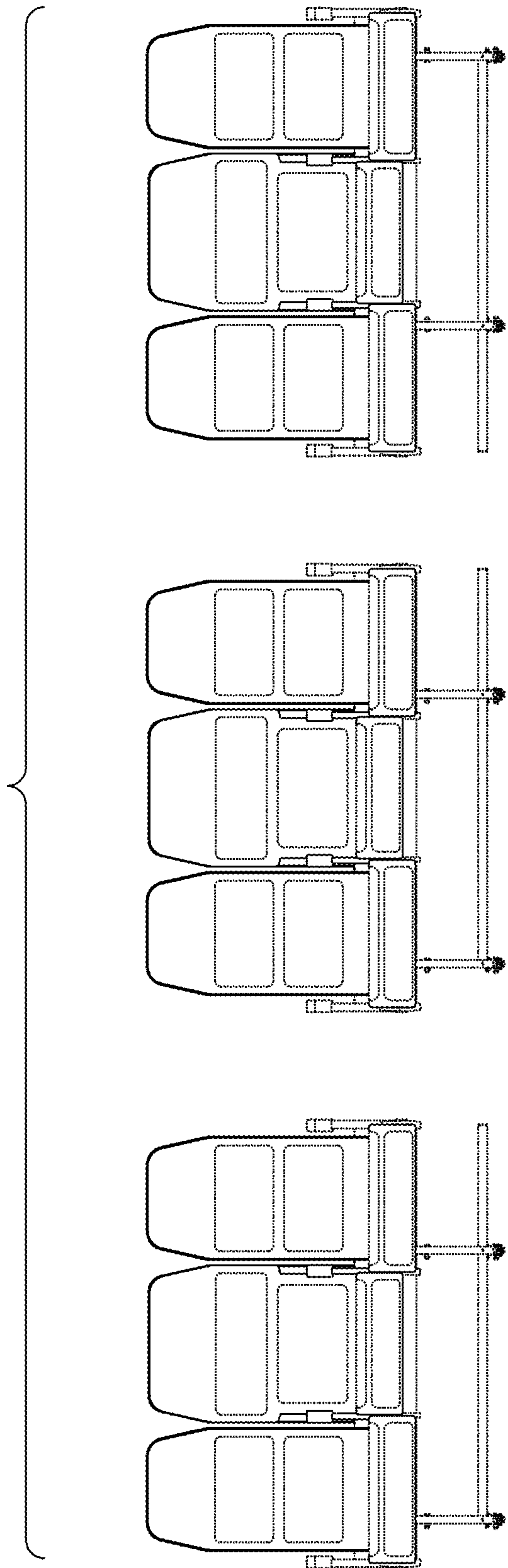


FIG. 24

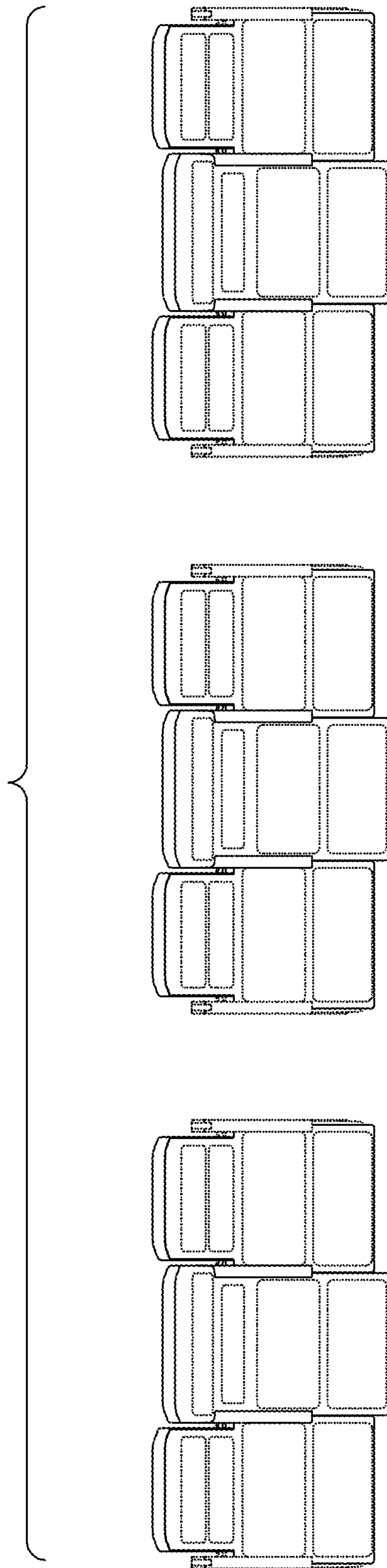


FIG. 25

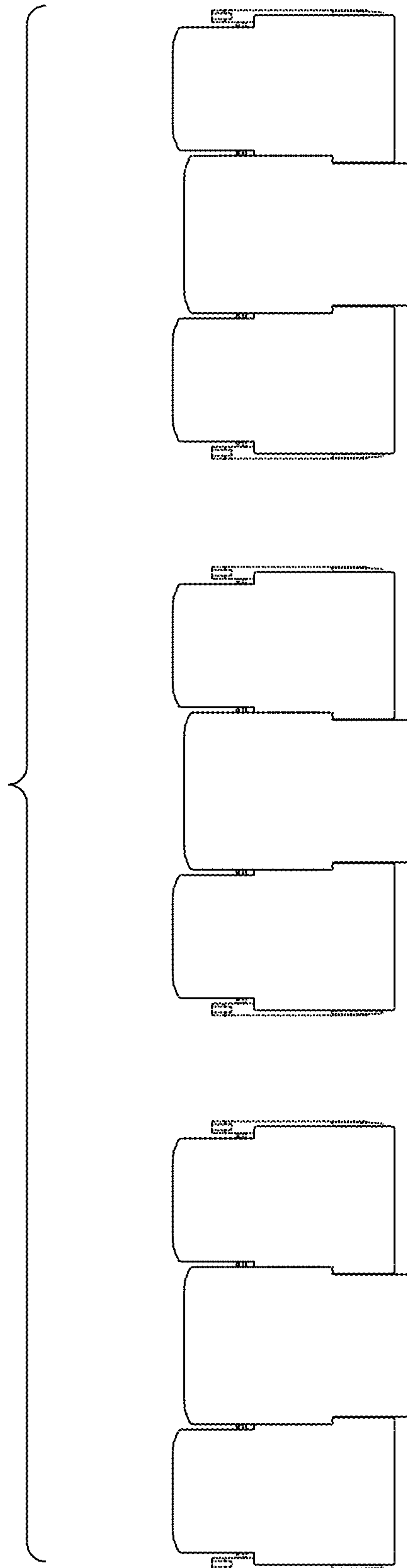


FIG. 26

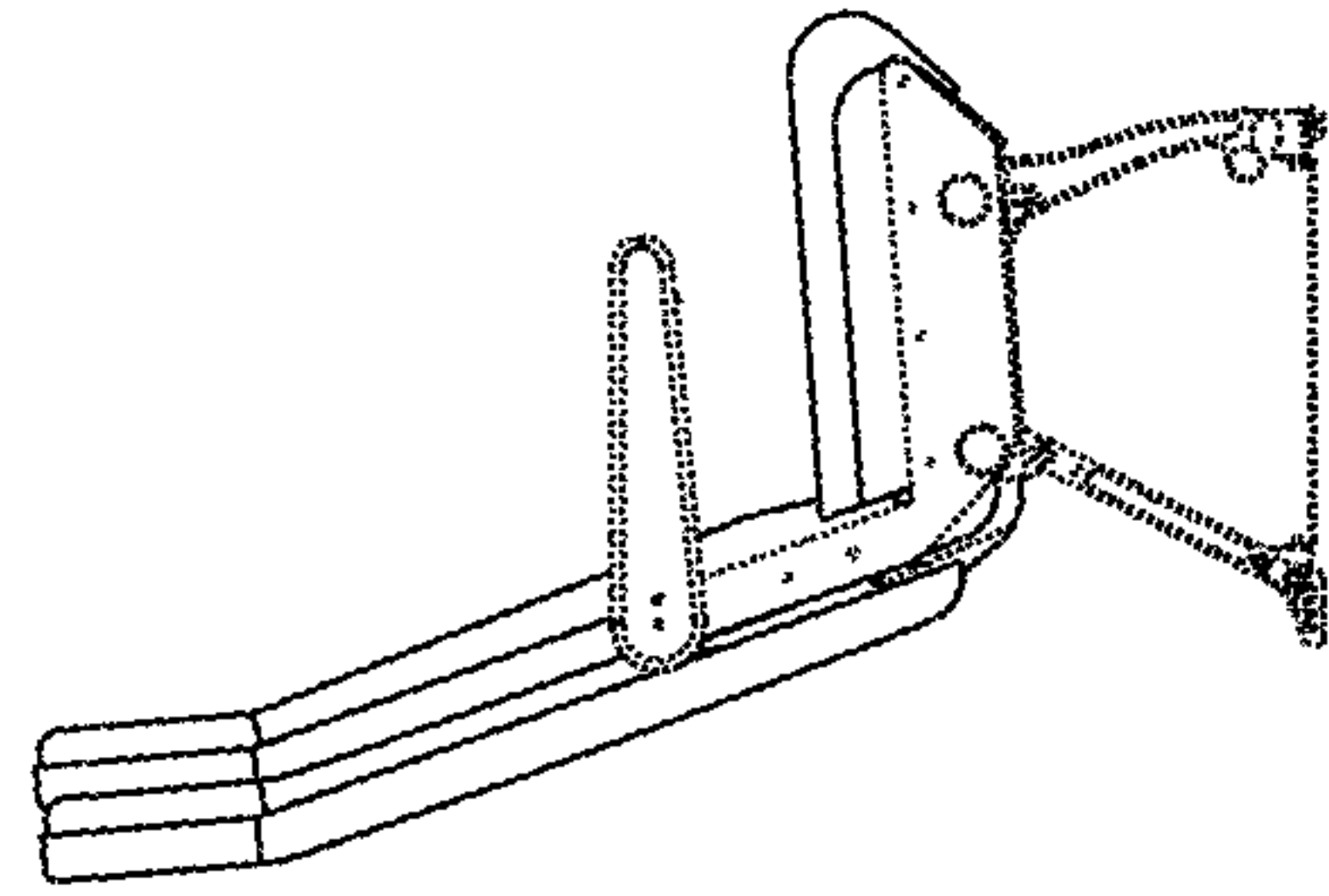


FIG. 27

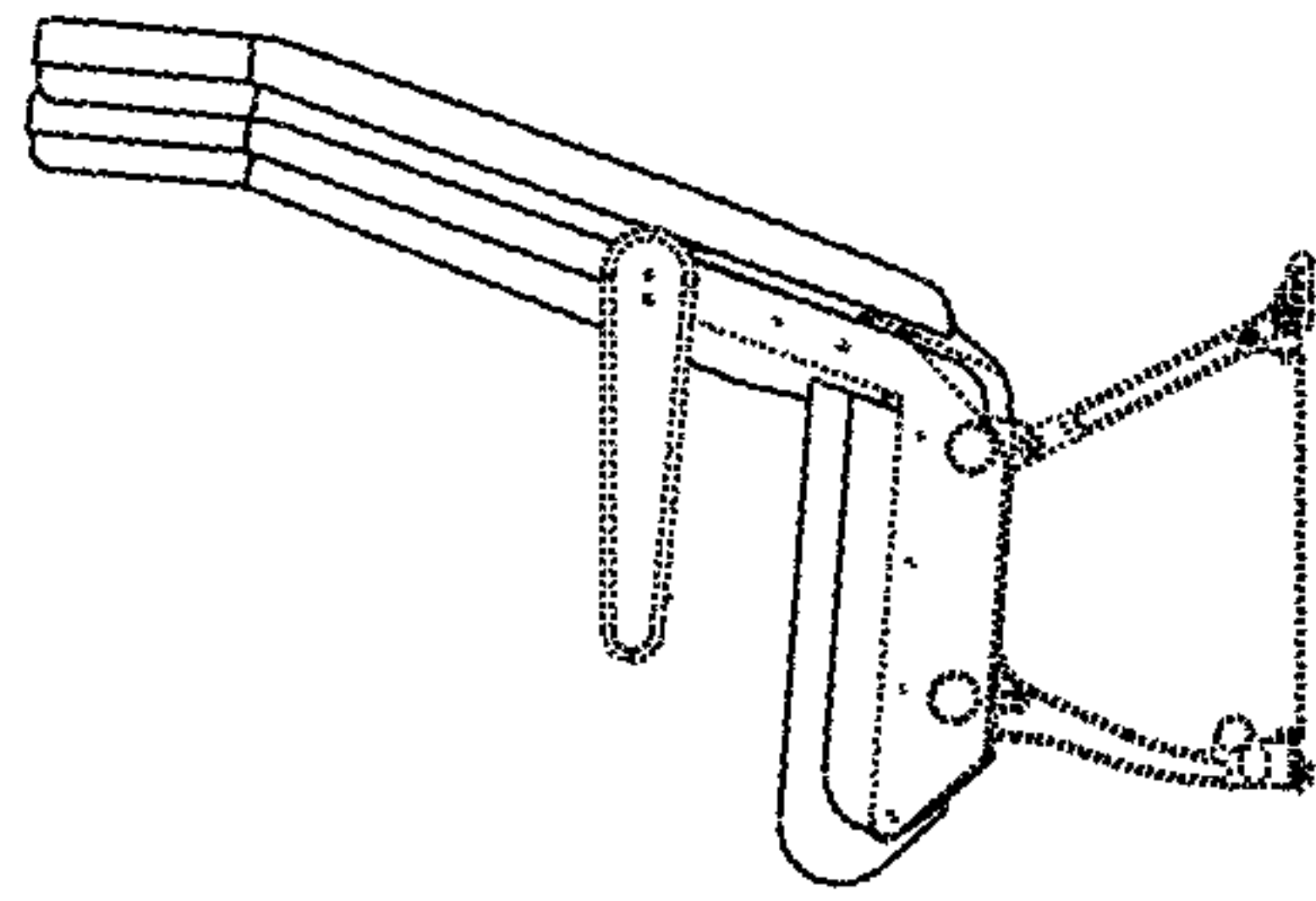


FIG. 28