



US00D936382S

(12) **United States Design Patent**  
**Long**

(10) **Patent No.:** **US D936,382 S**

(45) **Date of Patent:** **\*\* Nov. 23, 2021**

(54) **TELESCOPIC STOOL**

(71) Applicant: **Hangzhou Longchuang Youpin Intelligent Tech Co., Ltd., Zhejiang (CN)**

(72) Inventor: **Changhe Long, Zhejiang (CN)**

(73) Assignee: **Hangzhou Longchuang Youpin Intelligent Tech Co., Ltd., Zhejiang (CN)**

(\*\*) Term: **15 Years**

(21) Appl. No.: **29/767,587**

(22) Filed: **Jan. 24, 2021**

(51) **LOC (13) Cl.** ..... **06-01**

(52) **U.S. Cl.**  
USPC ..... **D6/353**

(58) **Field of Classification Search**  
USPC ..... D6/334–338, 340–343, 349–353, 355,  
D6/364–365, 691–691.9, 692–692.6,  
D6/716–716.1  
CPC ..... A47B 7/00–02; A47C 11/00; A47C 12/00;  
A47C 13/00; A47C 16/00; A47C  
16/02–04; A47C 9/00–105; A47K 17/02;  
A47K 17/028  
See application file for complete search history.

(56) **References Cited**

**U.S. PATENT DOCUMENTS**

D222,715 S *	12/1971	Bates	.....	D6/358
3,715,996 A *	2/1973	Rolfshus	.....	A47B 3/10 297/311
5,353,716 A *	10/1994	Wilbert	.....	A47B 7/02 108/150
D370,138 S *	5/1996	Rosebrock	.....	D6/349
D604,060 S *	11/2009	Siomades	.....	D6/688.11
D712,681 S *	9/2014	Del Russo, Jr.	.....	D6/600
D873,042 S *	1/2020	Dai	.....	D6/353
D878,067 S	3/2020	You et al.		

D891,798 S	8/2020	Dai		
D893,204 S *	8/2020	Dai	.....	D6/353
D899,117 S *	10/2020	Dai	.....	D6/353
D906,742 S *	1/2021	Dai	.....	D6/686

(Continued)

**OTHER PUBLICATIONS**

Telescopic Stool For Outdoor/Camping/Fishing Retractable & Convenient, [online] Retrieved Mar. 23, 2021 from URL: <https://hvstoreonline.com/products/telescopic-stool-for-outdoor-camping-fishing-retractable-convenient>.\*

(Continued)

*Primary Examiner* — Vy N Koenig

(74) *Attorney, Agent, or Firm* — ScienBiziP, P.C.

(57) **CLAIM**

The ornamental design for a telescopic stool, as shown and described.

**DESCRIPTION**

FIG. 1 is a front, right, and top perspective view of a telescopic stool, showing my design.

FIG. 2 is a rear, left, and bottom perspective view thereof.

FIG. 3 is a left side elevation view thereof.

FIG. 4 is a right side elevation view thereof.

FIG. 5 is a rear elevation view thereof.

FIG. 6 is a front elevation view thereof.

FIG. 7 is a top plan view thereof.

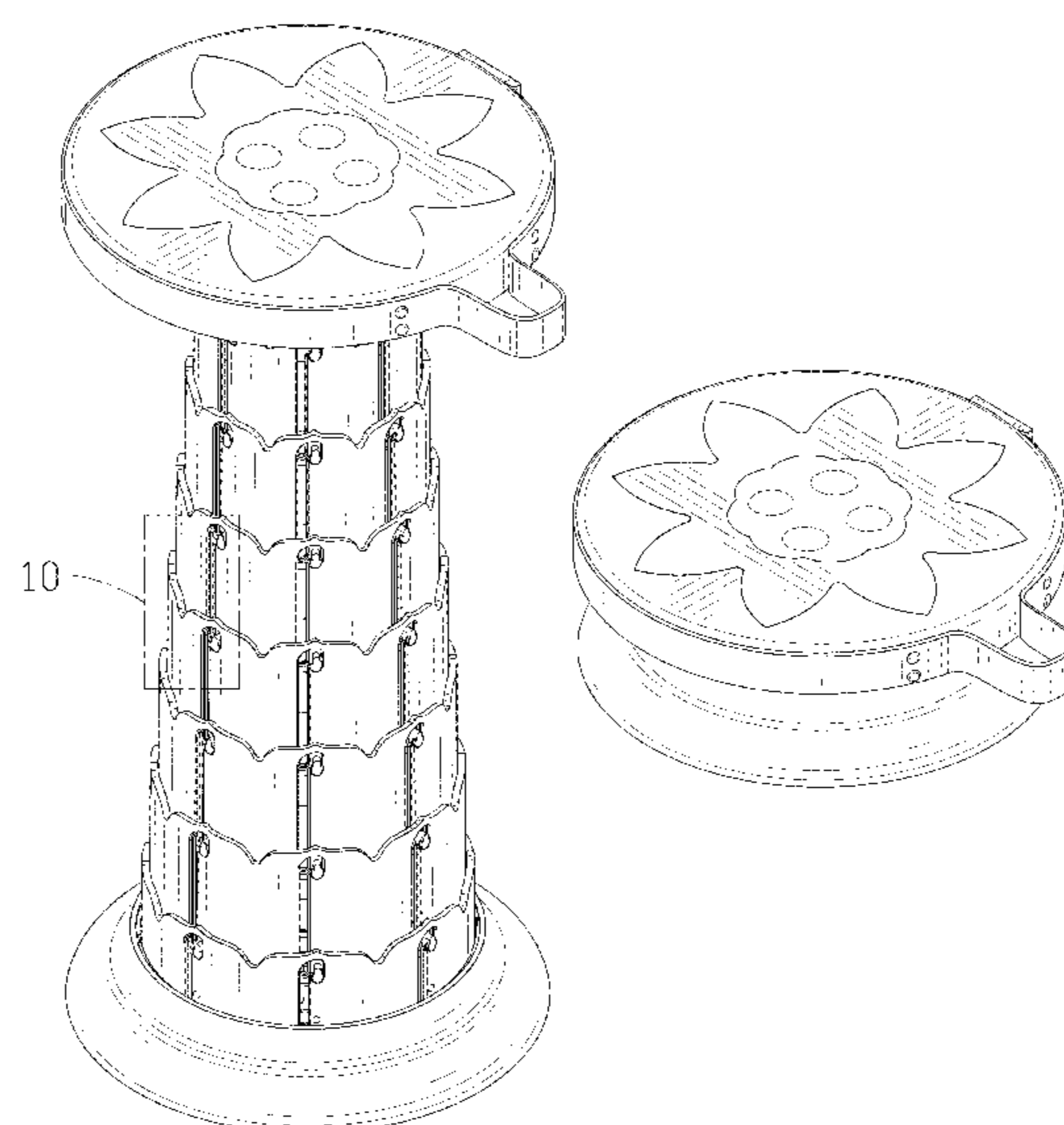
FIG. 8 is a bottom plan view thereof.

FIG. 9 is a front, right, and top perspective view of the telescopic stool of FIG. 1 in an alternate closed configuration; and,

FIG. 10 is a partial enlarged view of an area labeled 10 in FIG. 1 comprising a portion of side walls.

The broken lines shown in the drawings are included for the purpose of illustrating portions of the telescopic stool that form no part of the claimed design.

**1 Claim, 10 Drawing Sheets**



(56)

**References Cited**

U.S. PATENT DOCUMENTS

2020/0015592 A1\* 1/2020 Zaifman ..... A47B 13/081

OTHER PUBLICATIONS

SUGUTEE Portable Collapsible Retractable Telescoping Stool . . .  
[online] Retrieved Mar. 23, 2021 from URL: [https://www.amazon.com/Collapsible-Retractable-Telescoping-Collapsible-Telescopic/dp/B08T7NTZ1C/ref=sr\\_1\\_16?dchild=1&keywords=telescopic+stool&qid=1616513122&sr=8-16](https://www.amazon.com/Collapsible-Retractable-Telescoping-Collapsible-Telescopic/dp/B08T7NTZ1C/ref=sr_1_16?dchild=1&keywords=telescopic+stool&qid=1616513122&sr=8-16).\*

29767587\_OrbitForeignRefs.pdf (Design—© Questel) orbit.com.  
[Online PDF compilation of references selected by examiner] 123  
pgs. Retrieved May 14, 2021.\*

\* cited by examiner

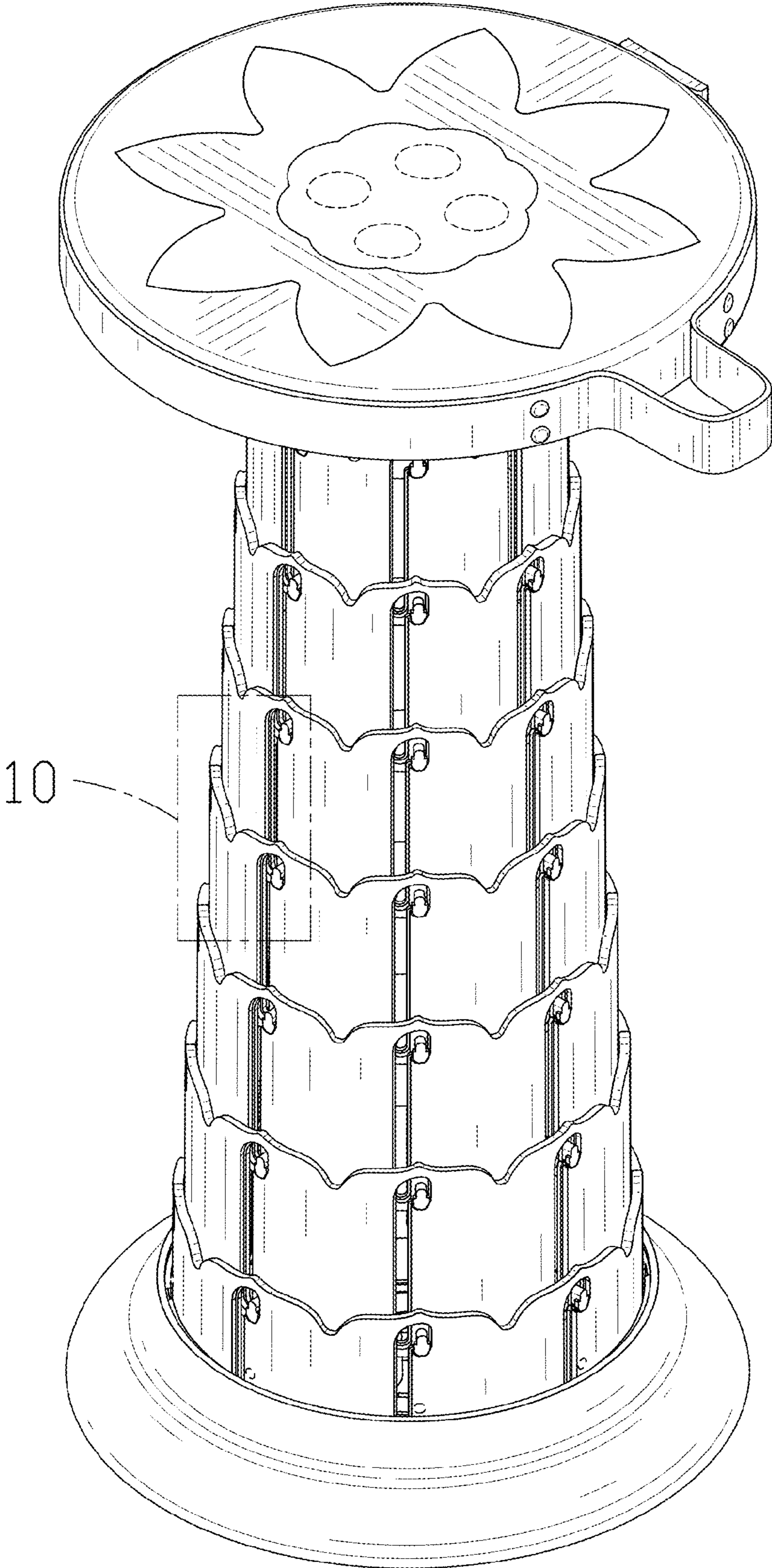


FIG. 1

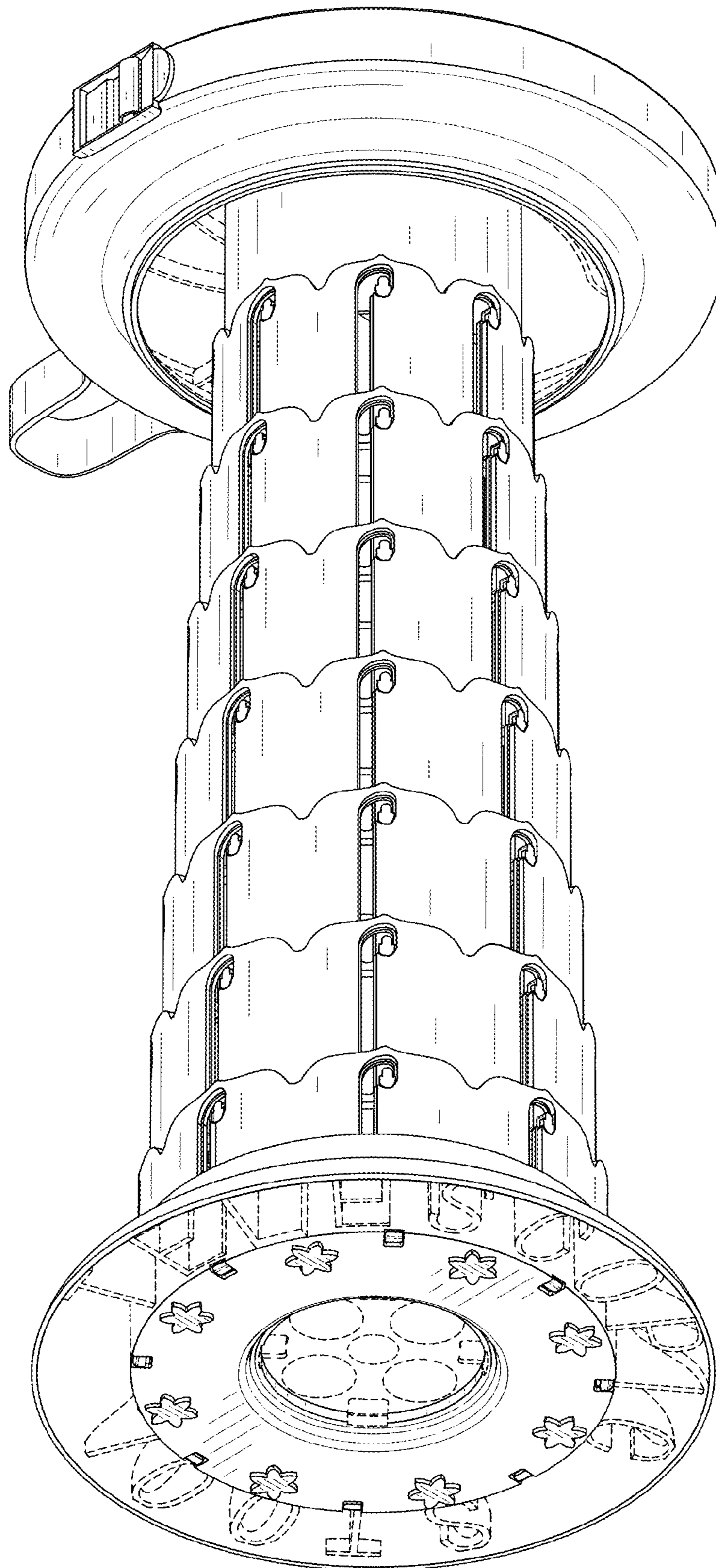


FIG. 2

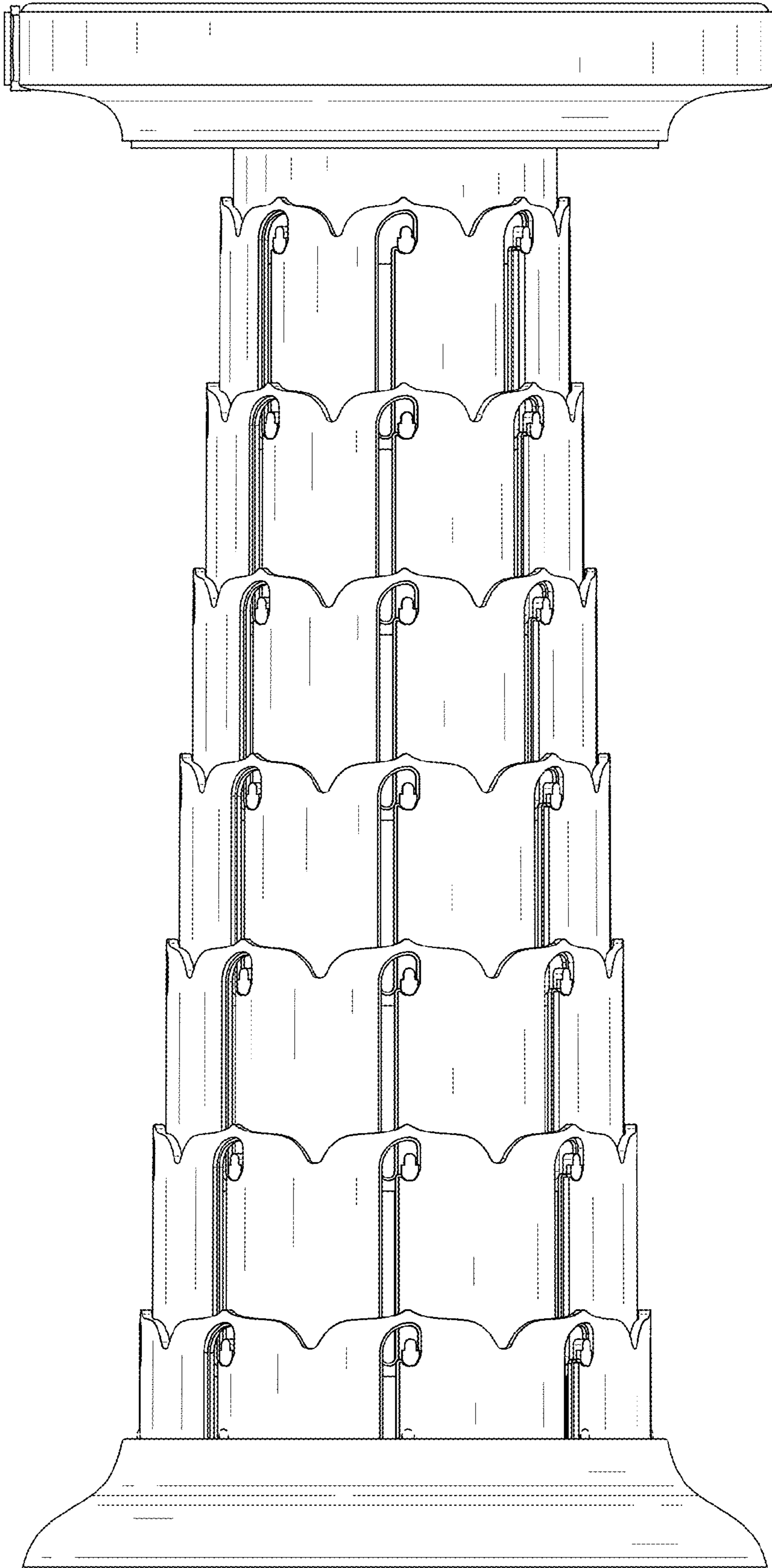


FIG. 3

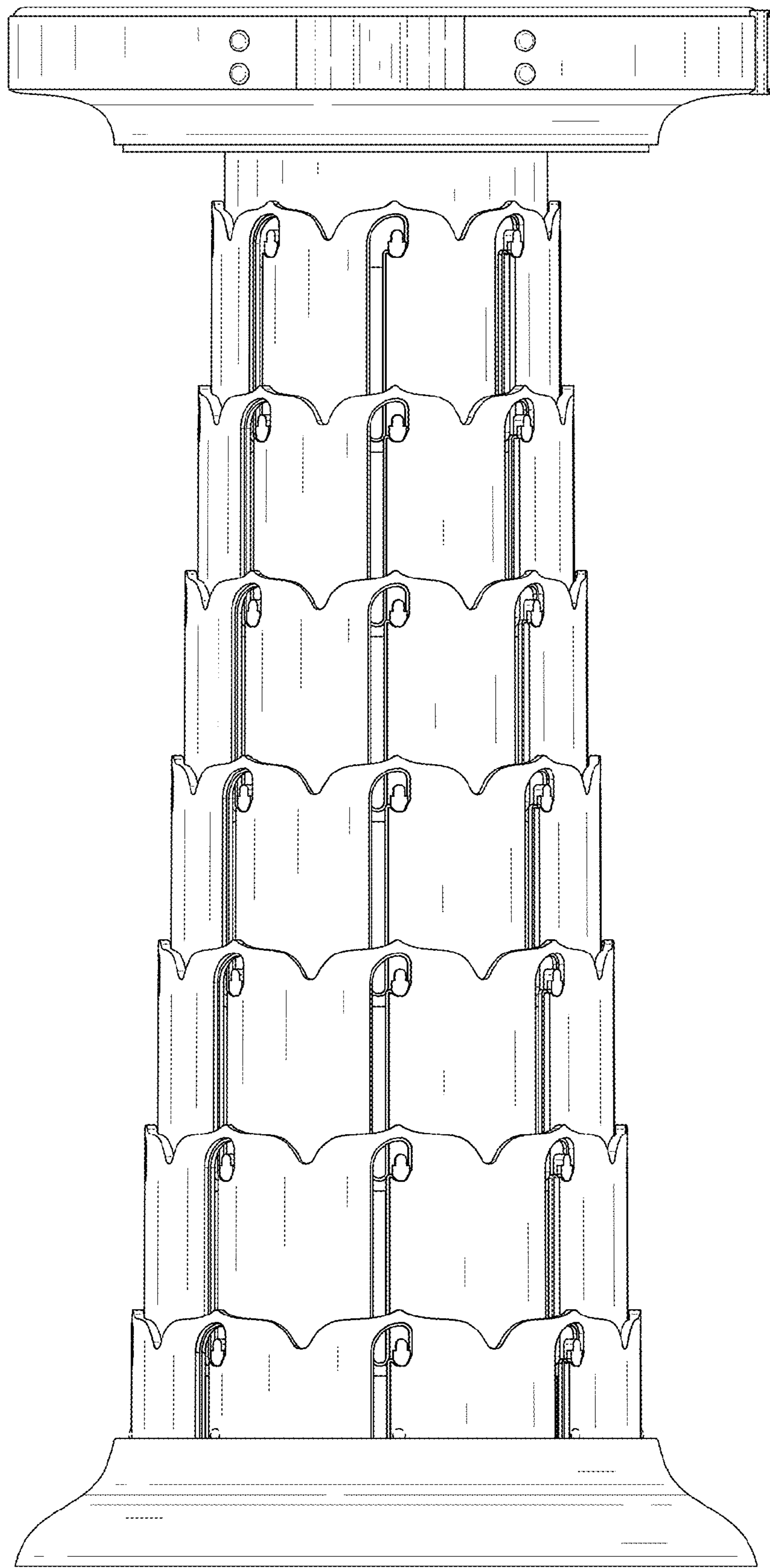


FIG. 4

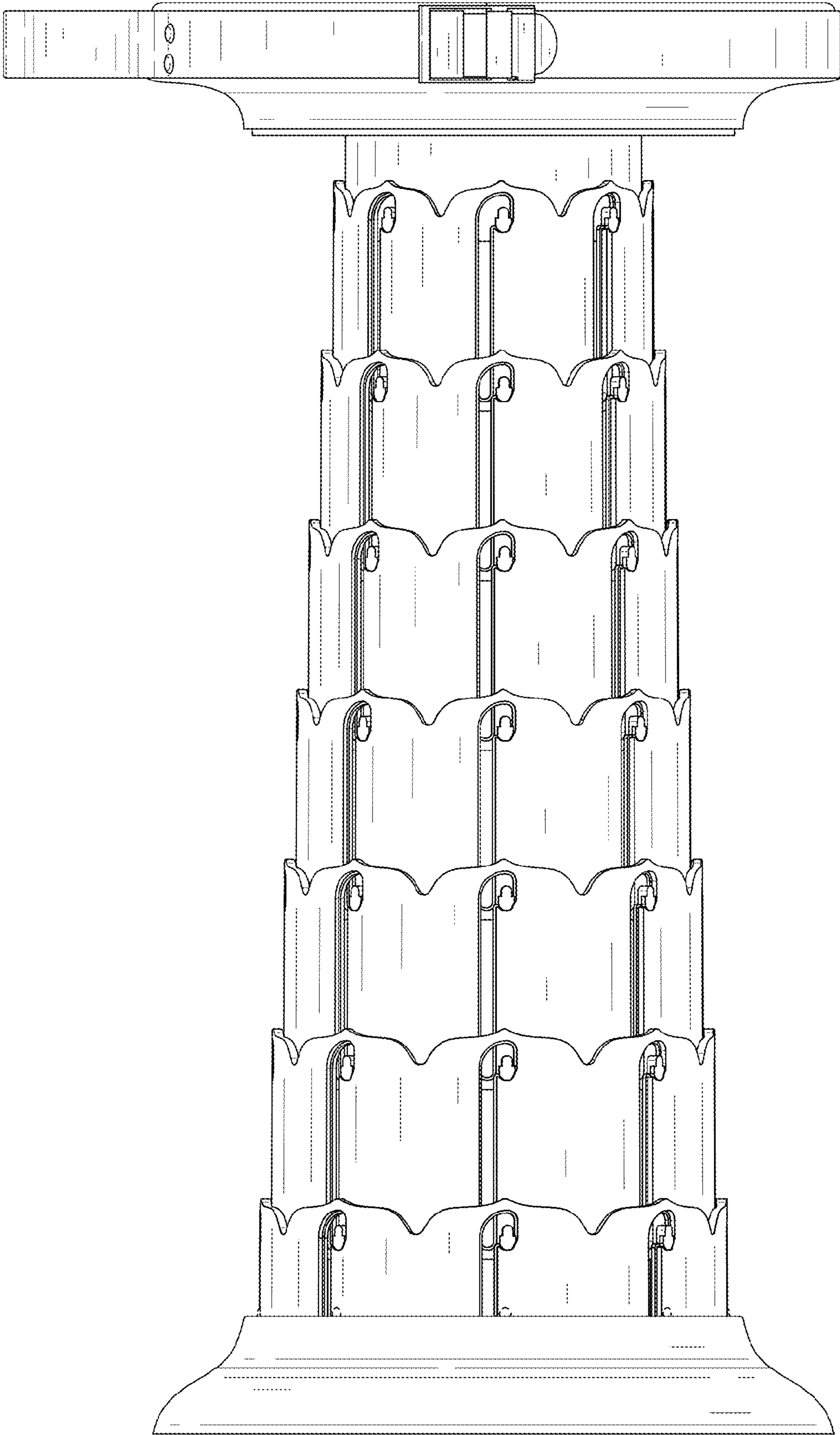


FIG. 5

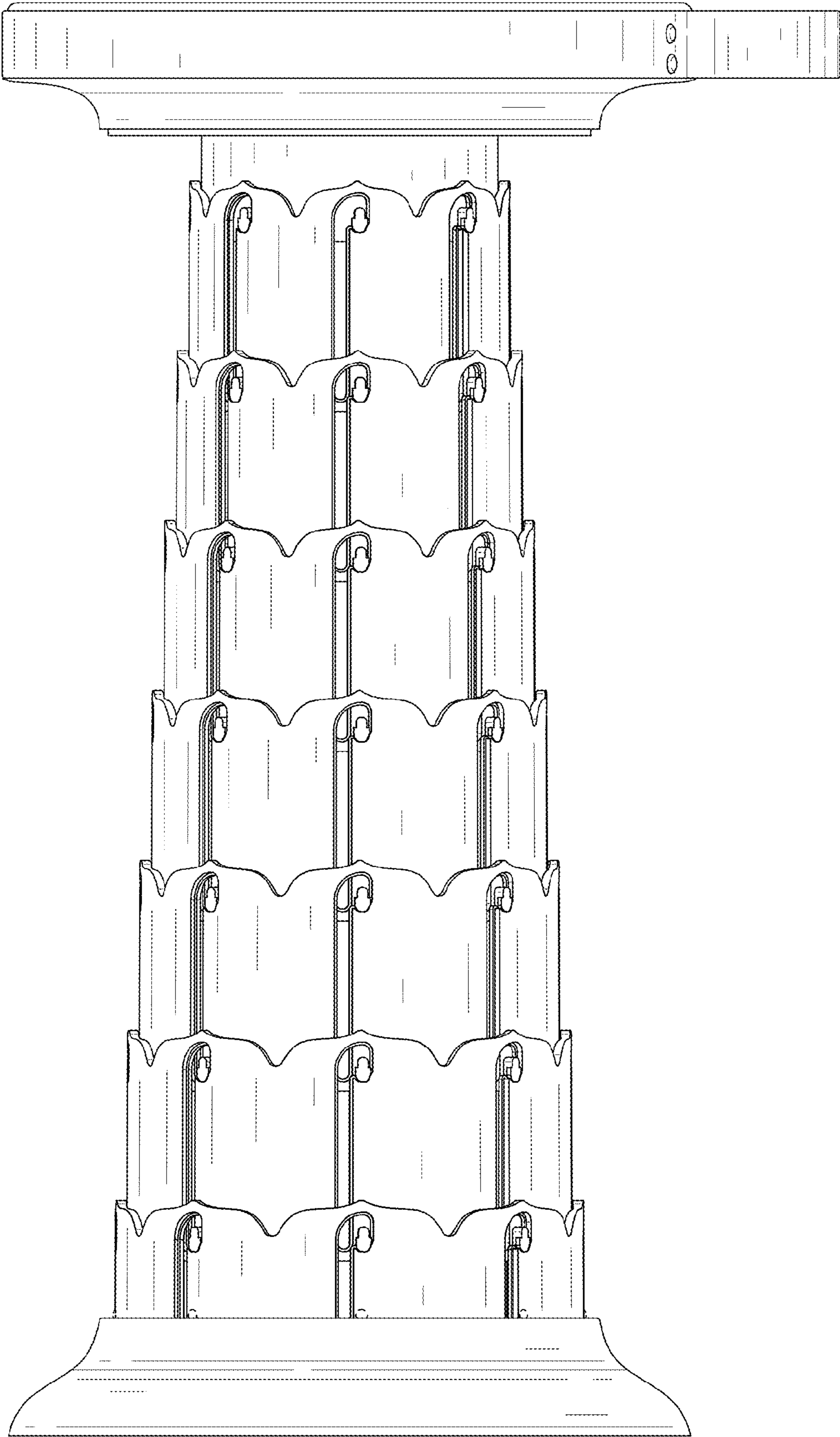


FIG. 6



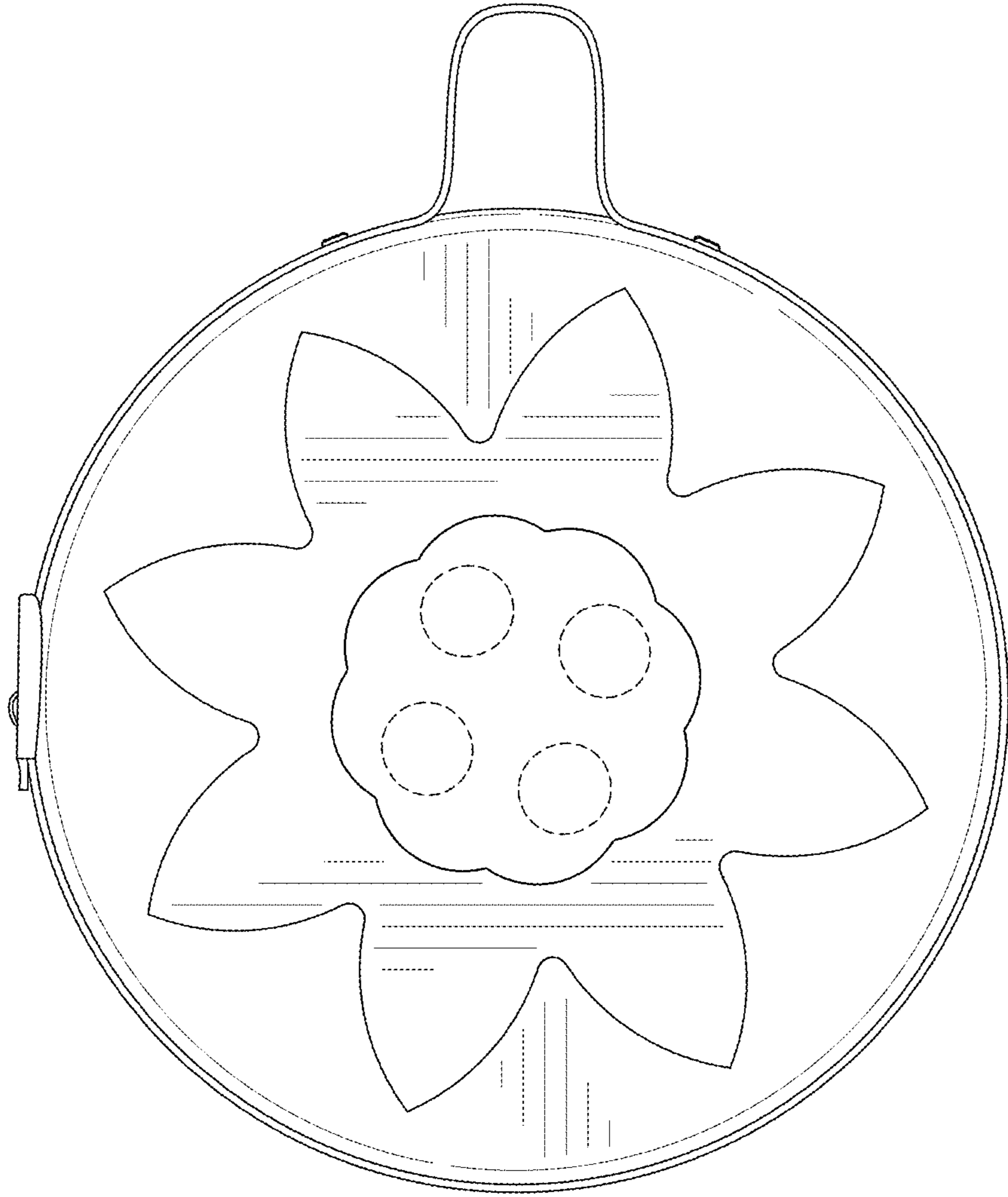


FIG. 7

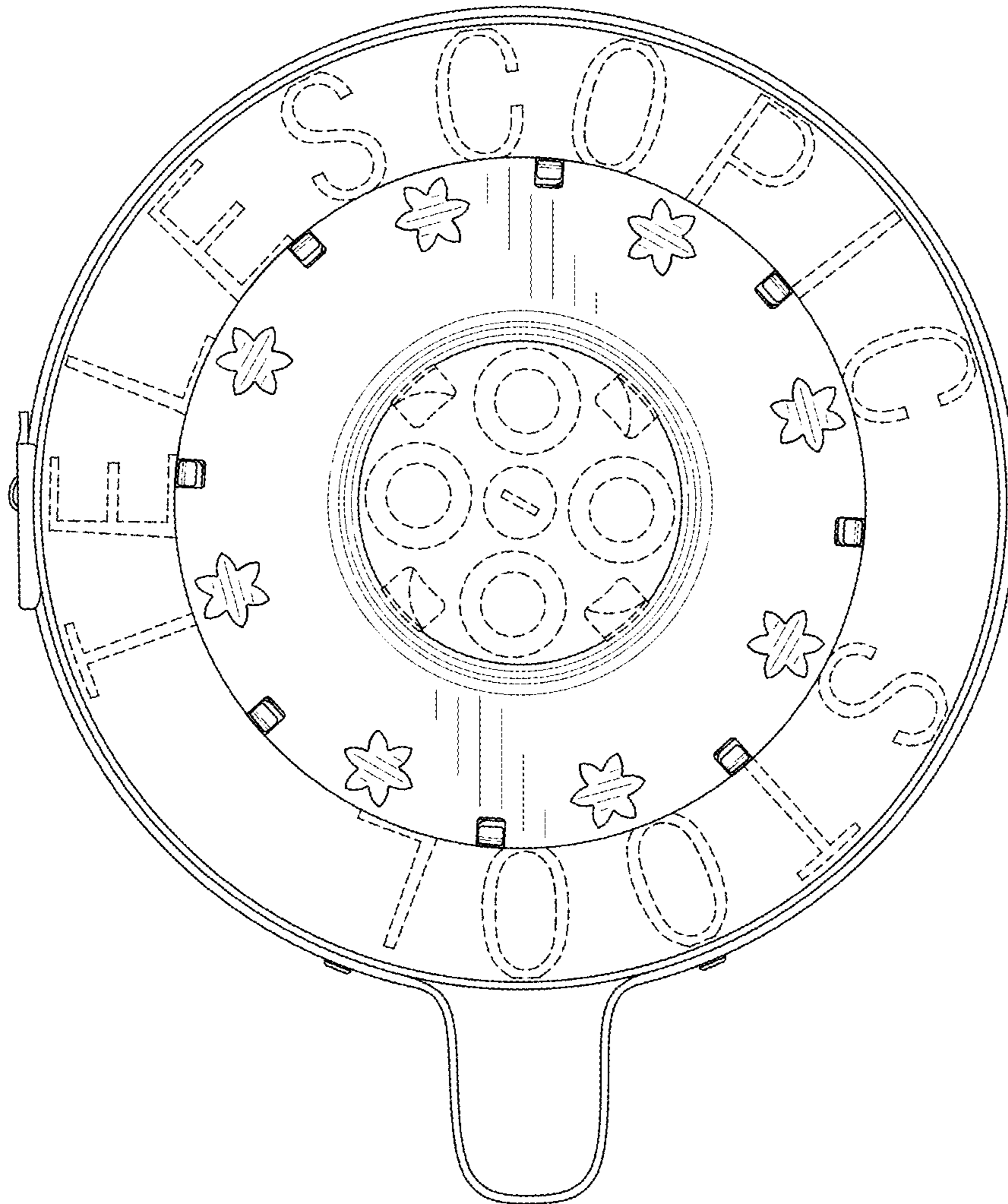


FIG. 8

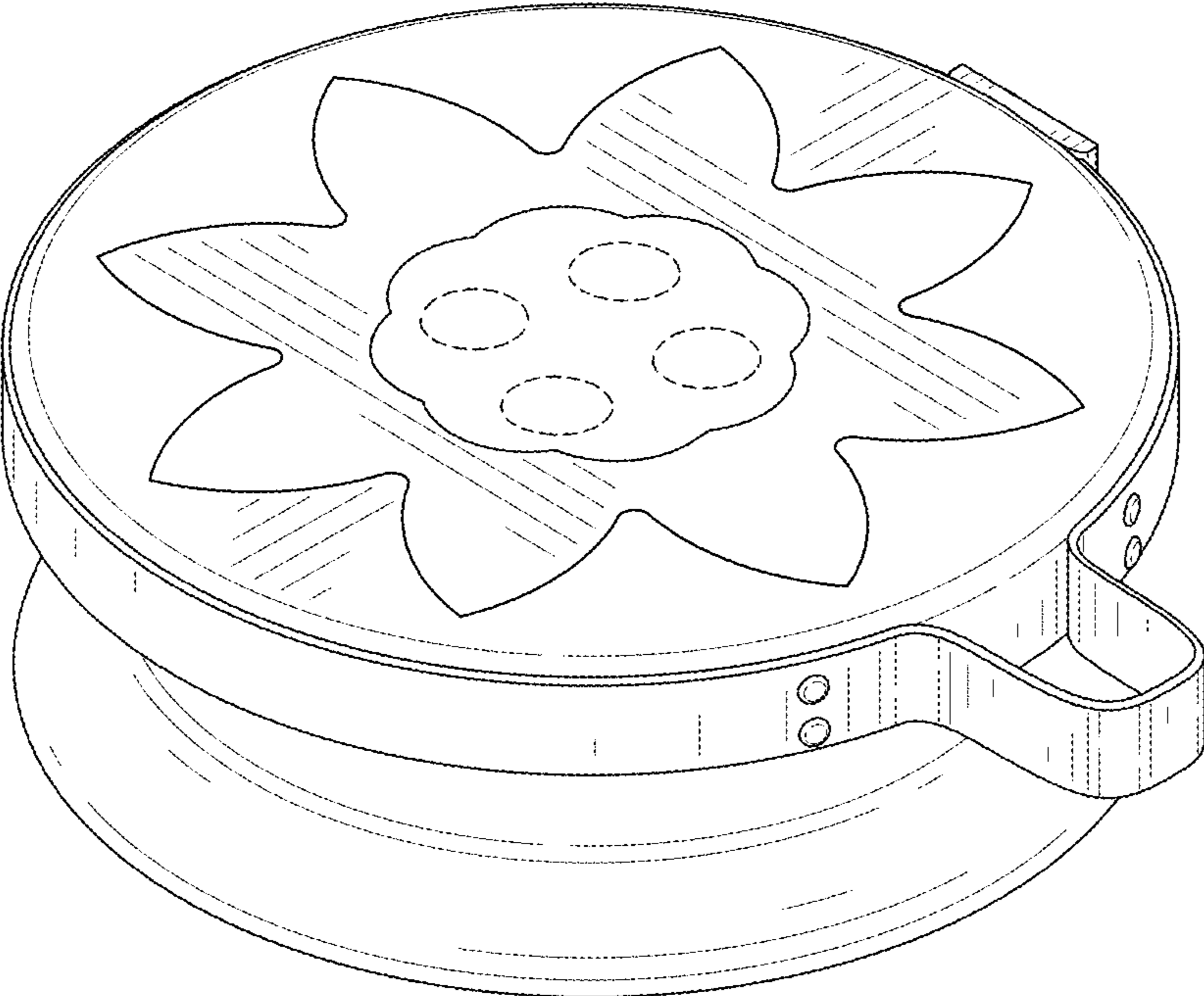


FIG. 9

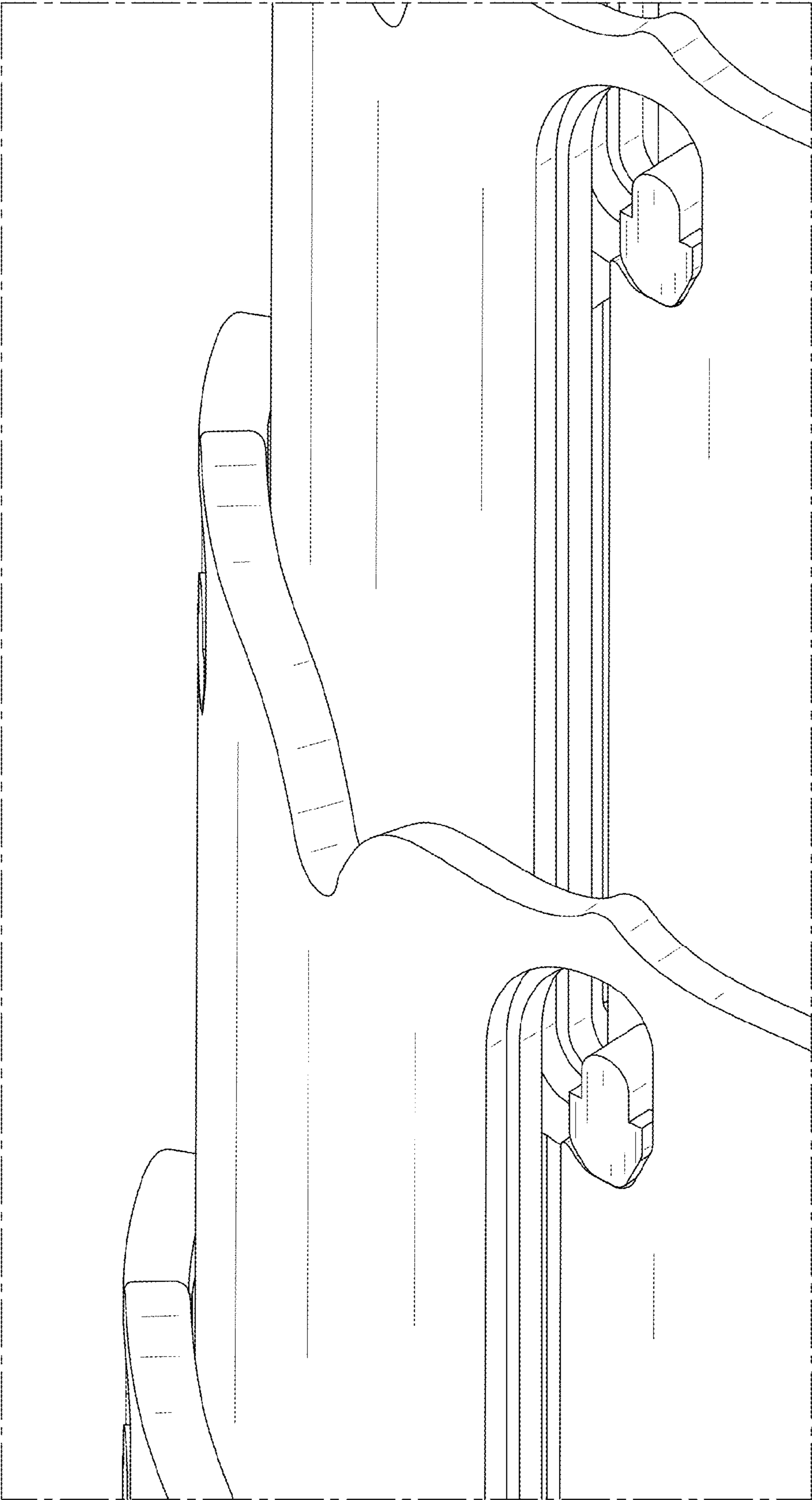


FIG. 10