



US00D936381S

(12) **United States Design Patent**  
**Halstrøm**

(10) **Patent No.:** **US D936,381 S**

(45) **Date of Patent:** **\*\* Nov. 23, 2021**

(54) **BENCH**

(71) Applicant: **Skagerak Denmark A/S**, Aalborg (DK)

(72) Inventor: **Chris Liljeborg Halstrøm**,  
København (DK)

(73) Assignee: **Skagerak Denmark A/S**, Aalborg (DK)

(\*\*) Term: **15 Years**

(21) Appl. No.: **29/733,432**

(22) Filed: **May 1, 2020**

(30) **Foreign Application Priority Data**

Nov. 1, 2019 (EM) ..... 007162615-0004

(51) **LOC (13) Cl.** ..... **06-01**

(52) **U.S. Cl.**  
USPC ..... **D6/349**; D6/369; D6/381

(58) **Field of Classification Search**  
USPC ..... D6/334-338, 349, 351, 353, 369, 370,  
D6/371, 374, 376, 377, 381, 673, 675,  
D6/691, 691.1, 691.9, 692.5, 709, 709.2,  
D6/712, 716, 716.1, 717

CPC .... A47C 11/00; A47C 13/00; A47C 16/02-04  
See application file for complete search history.

(56) **References Cited**

**U.S. PATENT DOCUMENTS**

D65,315 S \* 7/1924 Williams ..... D6/691.9  
D174,211 S \* 3/1955 Birkerts ..... D6/369  
2,712,349 A \* 7/1955 Voir ..... A47C 5/06  
297/440.11  
D338,118 S \* 8/1993 Nourse ..... D6/691  
D422,430 S \* 4/2000 Wilton ..... D6/691  
D624,336 S \* 9/2010 Schultz ..... D6/691.8

D731,199 S \* 6/2015 Wei ..... D6/382  
D738,132 S \* 9/2015 Citterio ..... D6/392  
D843,747 S \* 3/2019 Pushelberg ..... D6/369  
D882,311 S \* 4/2020 Davis ..... D6/691  
D904,775 S \* 12/2020 Furbeth ..... D6/349  
D910,347 S \* 2/2021 Li ..... D6/675

**OTHER PUBLICATIONS**

Skagerak Denmark Vent Bench. [online] Retrieved Jul. 21, 2021 from URL: <https://www.danishdesignstore.com/products/chris-halstrom-vent-bench-skagerak-denmark>.\*

Edwin Leather Ottoman, [online] Retrieved Jul. 21, 2021 from URL: <https://www.mcgeeandco.com/products/edwin-leather-ottoman>.\*

29733432\_OrbitForeignRefs.pdf. Design © Questel orbit.com. [Online PDF compilation of references] 9 pgs. Retrieved Jul. 22, 2021 from URL: <https://www.orbit.com/export/QPTUJ190/pdf2/22d6ccd1-653a-4c6f-a6b6-37c4519011b4-162108.pdf>.\*

\* cited by examiner

*Primary Examiner* — Vy N Koenig

(74) *Attorney, Agent, or Firm* — Dykema Gossett PLLC

(57) **CLAIM**

The ornamental design for a bench, as shown and described.

**DESCRIPTION**

FIG. 1 is a perspective view of a bench showing my new design;

FIG. 2 is a bottom perspective view of the bench depicted in FIG. 1;

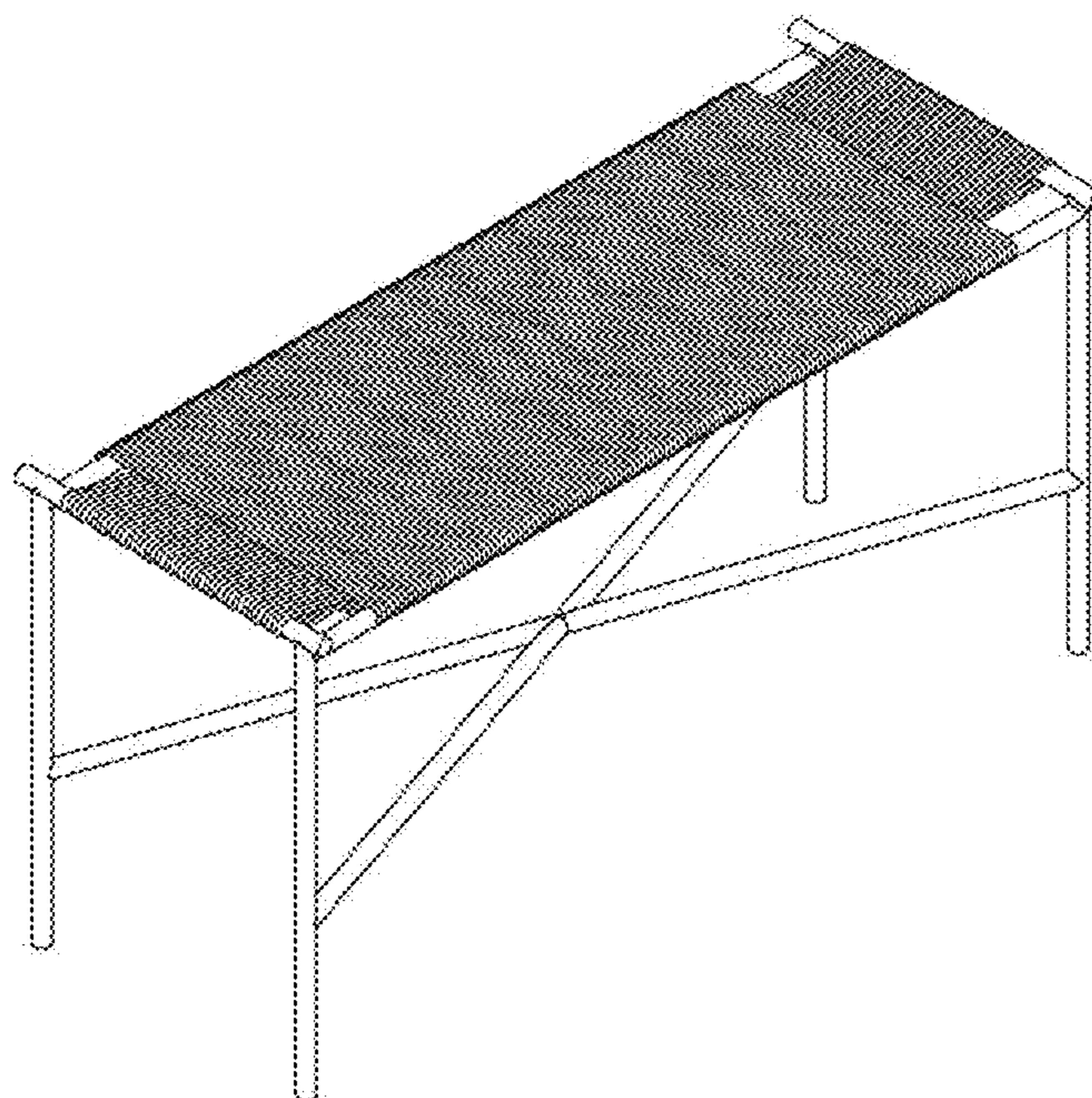
FIG. 3 is a bottom view of the bench depicted in FIG. 1;

FIG. 4 is a front view of the bench depicted in FIG. 1, the opposite back view being a mirror image thereof;

FIG. 5 is a top view of the bench depicted in FIG. 1; and,

FIG. 6 is a left side view of the bench depicted in FIG. 1, the opposite right side view being a mirror image thereof.

**1 Claim, 4 Drawing Sheets**



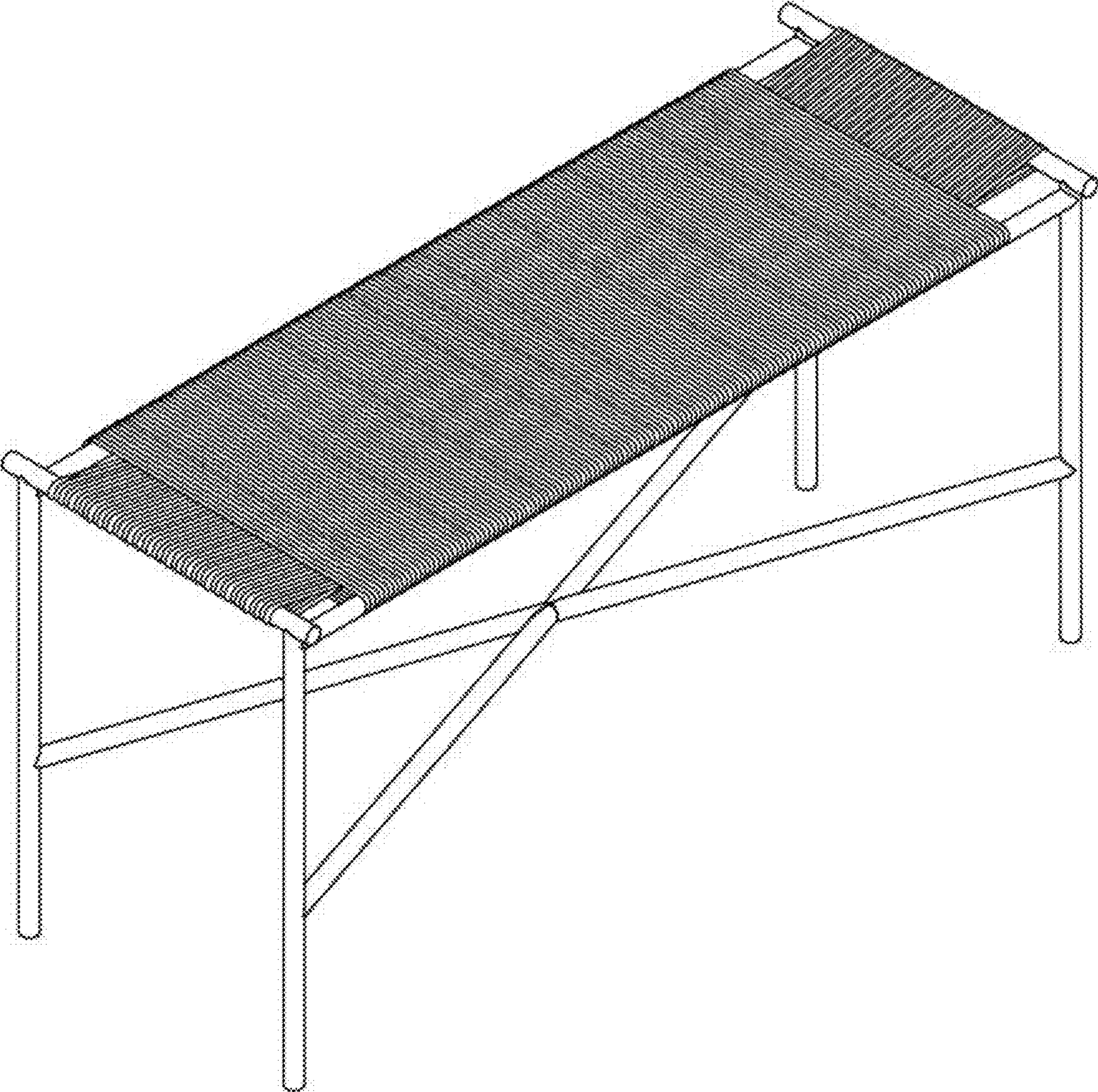


Fig. 1

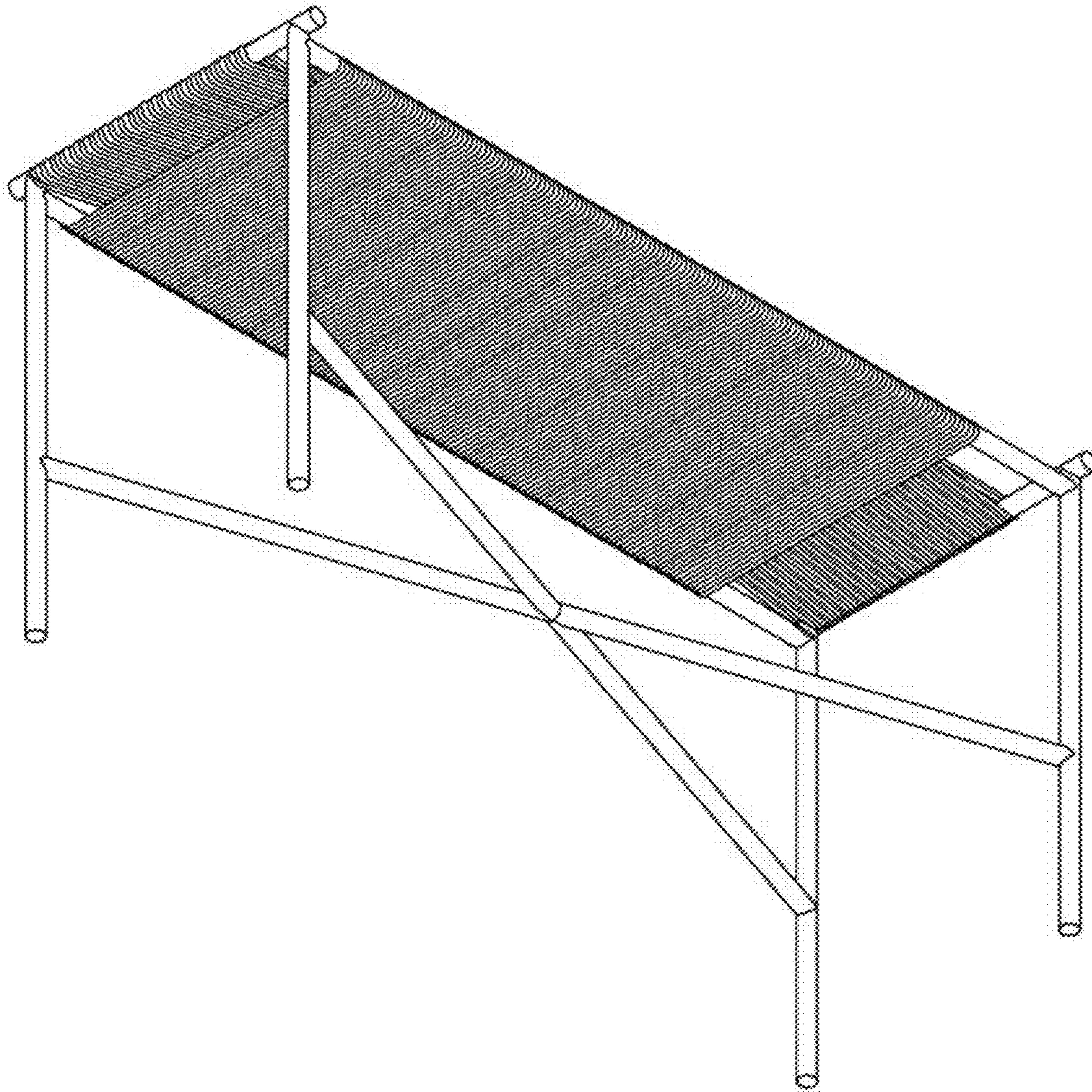


Fig. 2

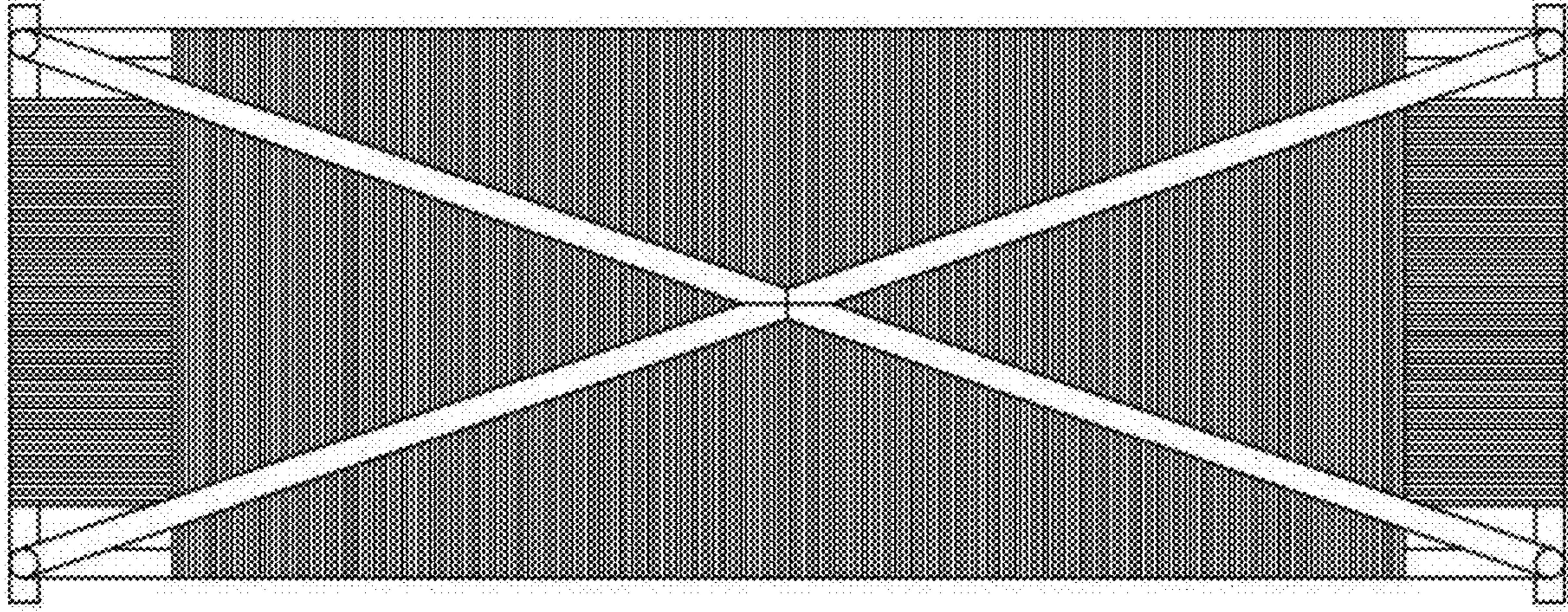


Fig. 3

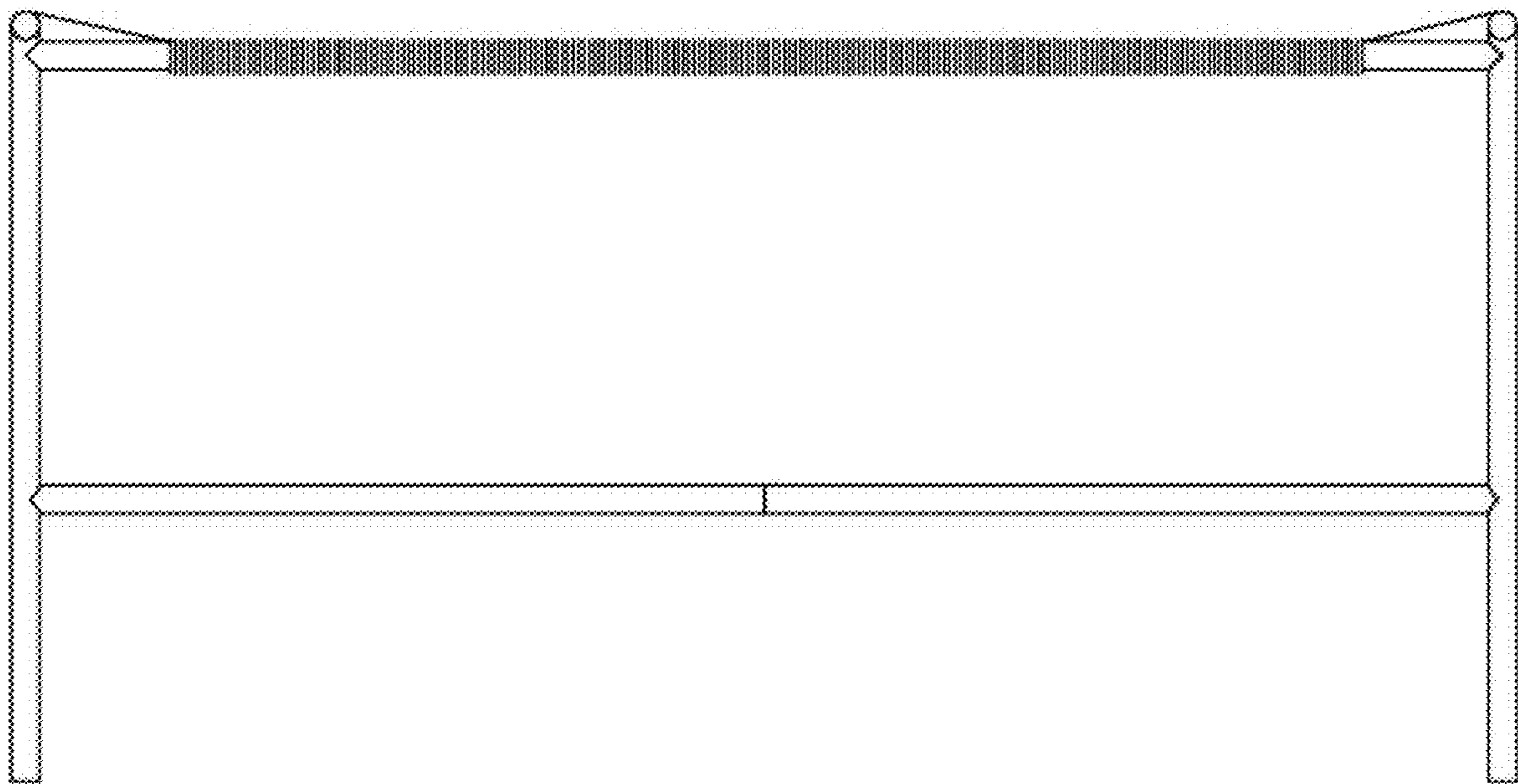


Fig. 4

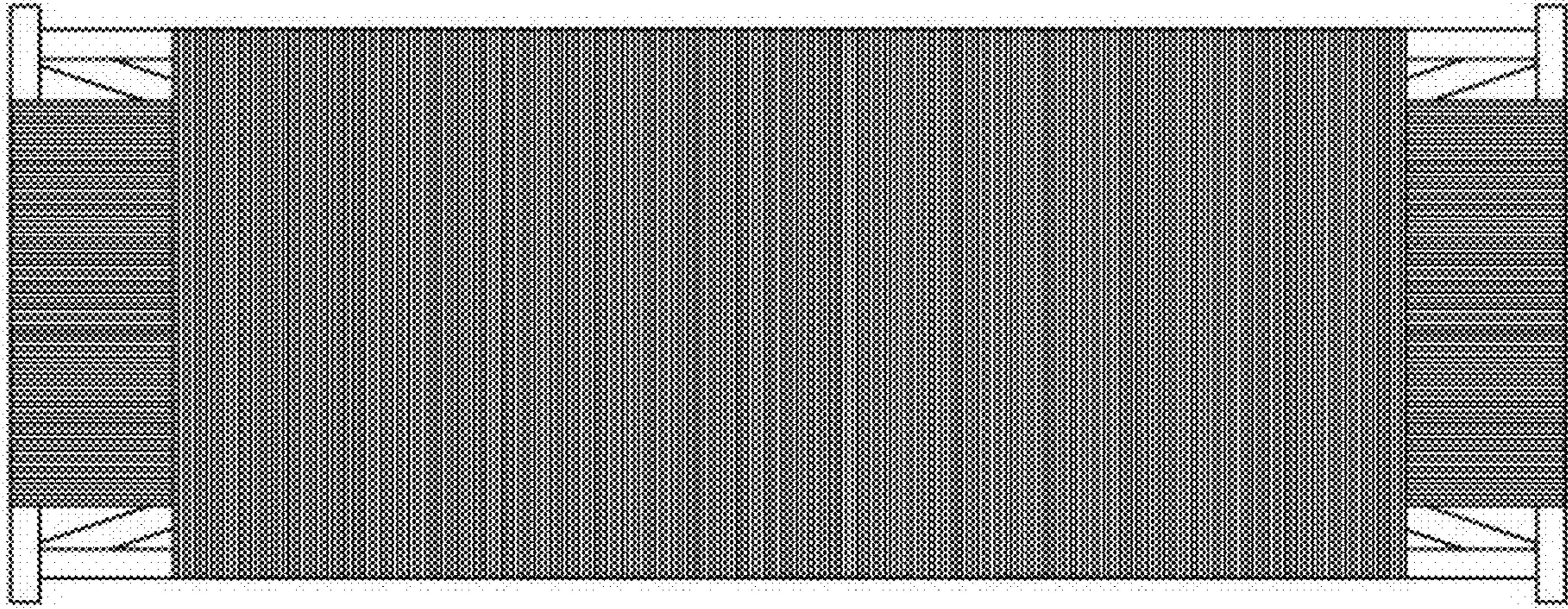


Fig. 5

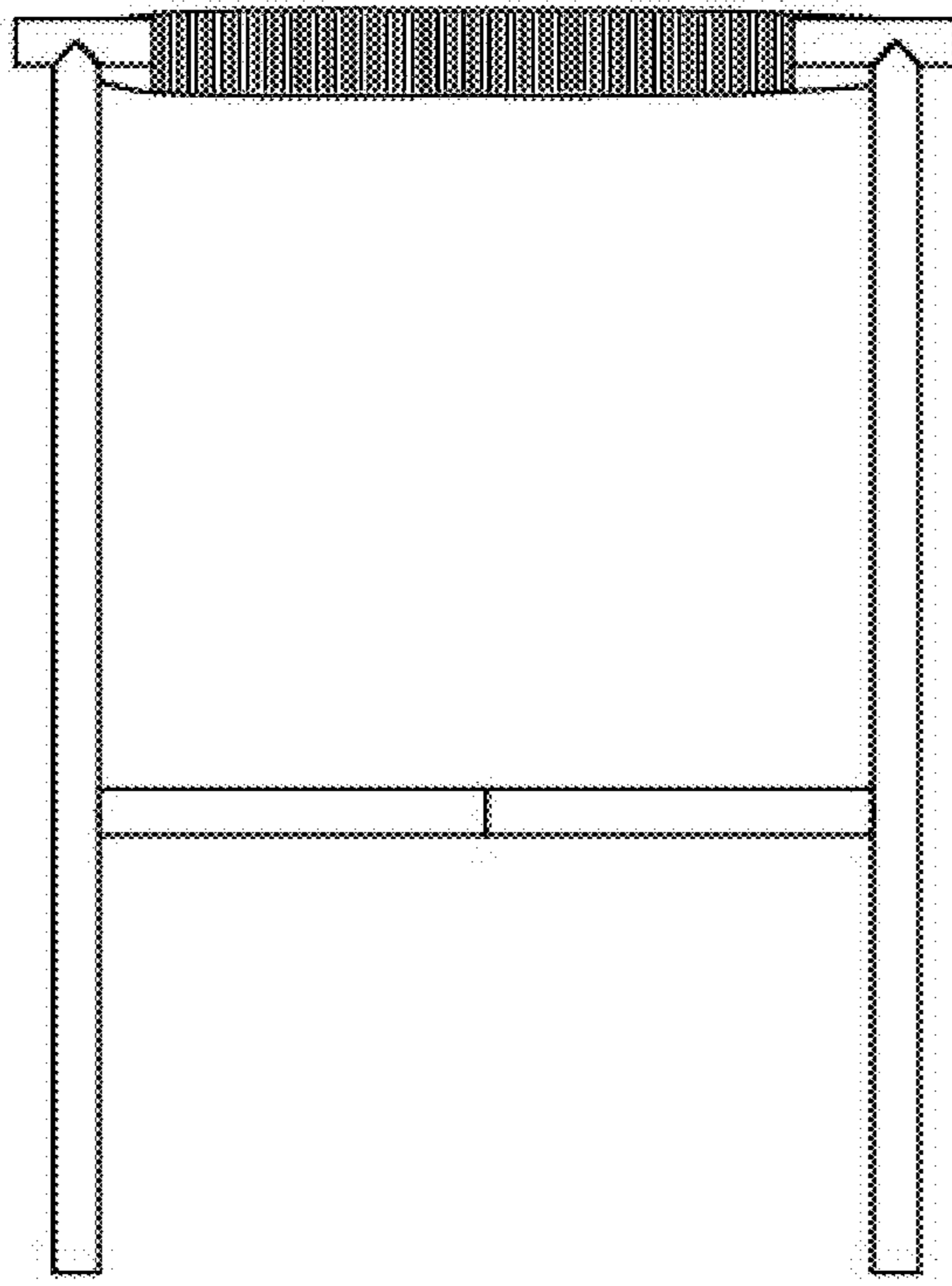


Fig. 6