



US00D936380S

(12) **United States Design Patent** (10) **Patent No.:** **US D936,380 S**
Su (45) **Date of Patent:** **** Nov. 23, 2021**

(54) **OTTOMAN AND STATIONARY SECTIONAL SOFA WITH DROP DOWN USB CHARGER AND CUP HOLDER**

(71) Applicant: **Teresa Su**, Chino, CA (US)

(72) Inventor: **Teresa Su**, Chino, CA (US)

(**) Term: **15 Years**

(21) Appl. No.: **29/769,451**

(22) Filed: **Feb. 5, 2021**

(51) **LOC (13) Cl.** **06-07**

(52) **U.S. Cl.**
USPC **D6/336**

(58) **Field of Classification Search**
USPC D6/334, 335, 336, 360, 361, 349, 355,
D6/378, 381, 374, 375
CPC A47C 4/028; A47C 17/02
See application file for complete search history.

(56) **References Cited**

U.S. PATENT DOCUMENTS

D581,691 S	*	12/2008	Natuzzi	D6/381
D587,029 S		2/2009	Mourgue		
D607,228 S	*	1/2010	Natuzzi	D6/381
D641,564 S		7/2011	Urquiola		
D677,493 S		3/2013	Masson		
D720,943 S		1/2015	Pathiratne		
D721,516 S	*	1/2015	Adair	D6/381
D723,292 S	*	3/2015	Castanha	D6/381
D737,591 S	*	9/2015	Kanthasamy	D6/381
D737,594 S		9/2015	Rafieha		
D771,402 S	*	11/2016	Woller	D6/381
D801,720 S		11/2017	Morrison		
D883,685 S	*	5/2020	Carter	D6/336

OTHER PUBLICATIONS

“Dark Gray Fabric Reversible Sectional Sofa USB Charger Dropdown Table Cupholder” product listing. Amazon. Listed as first available

on Mar. 2, 2020. Accessed on Jun. 18, 2021 at https://www.amazon.com/Reversible-Sectional-Charger-Dropdown-Cupholder/dp/B0818453SS/ref=sr_1_4?dchild=1&keywords=sectional+sofa+with+USB+and+cup+holder&qid=1624045871&sr=8-4 (Year: 2020).* <https://www.amazon.com/Reversible-Sectional-Charger-Dropdown-Cupholder/dp/B0818453SS>; Mar. 2, 2020.

* cited by examiner

Primary Examiner — Deanna L Pratt

(74) *Attorney, Agent, or Firm* — Runit Ranjit Kanakia

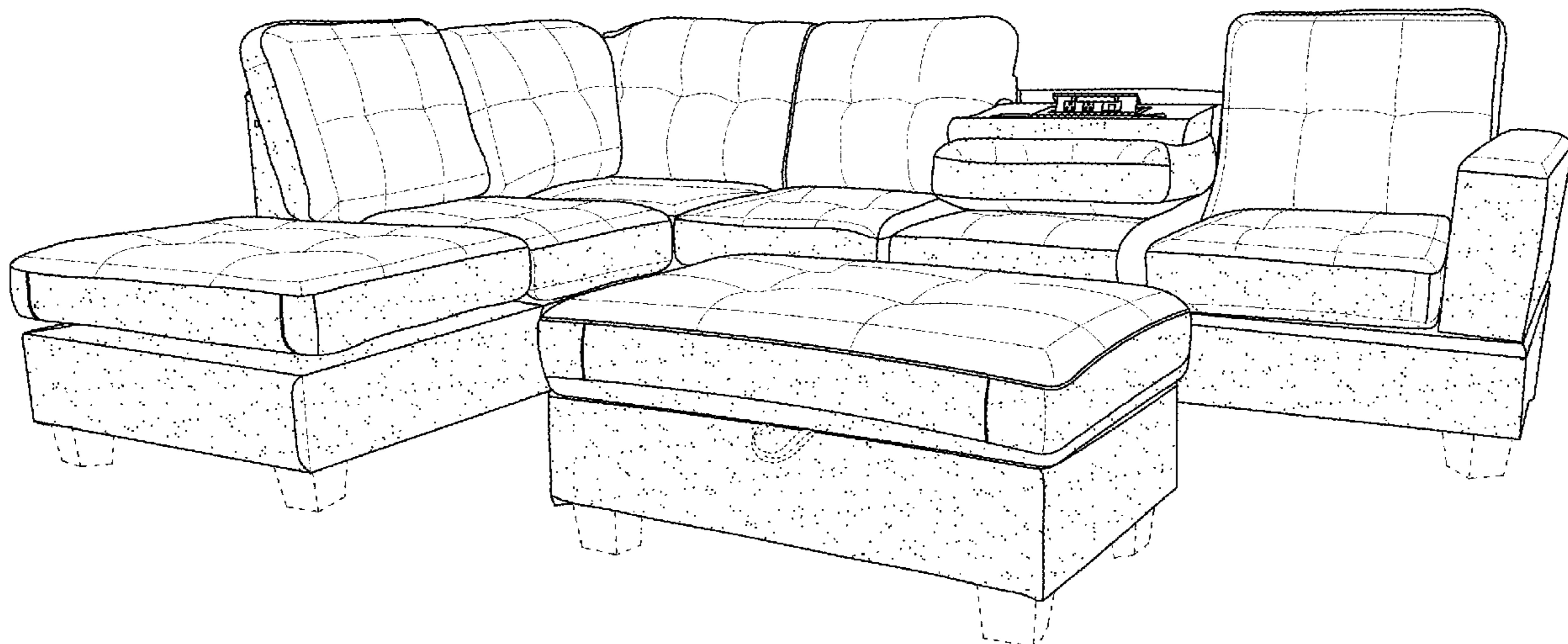
(57) **CLAIM**

I claim the ornamental design for an ottoman and stationary sectional sofa with drop down USB charger and cup holder, as shown and described.

DESCRIPTION

FIG. 1 is a Perspective view of an ottoman and stationary sectional sofa with drop down USB charger and cup holder showing my new design;
FIG. 2 is a Front view thereof;
FIG. 3 is a Back view thereof;
FIG. 4 is a Right-side view thereof;
FIG. 5 is a Left-side view thereof;
FIG. 6 is a Top view thereof;
FIG. 7 is a Bottom view thereof;
FIG. 8 is Front Perspective view of a drop down USB charger showing in zoom position;
FIG. 9 is Front perspective view of a cup holder showing in open position;
FIG. 10 is a Perspective view of a cup holder showing in open position; and,
FIG. 11 is a Top perspective view of a cup holder showing in close position.
The broken lines in the drawings depict portions of the ottoman and stationary sectional sofa with drop down USB charger and cup holder that form no part of the claimed design.

1 Claim, 8 Drawing Sheets



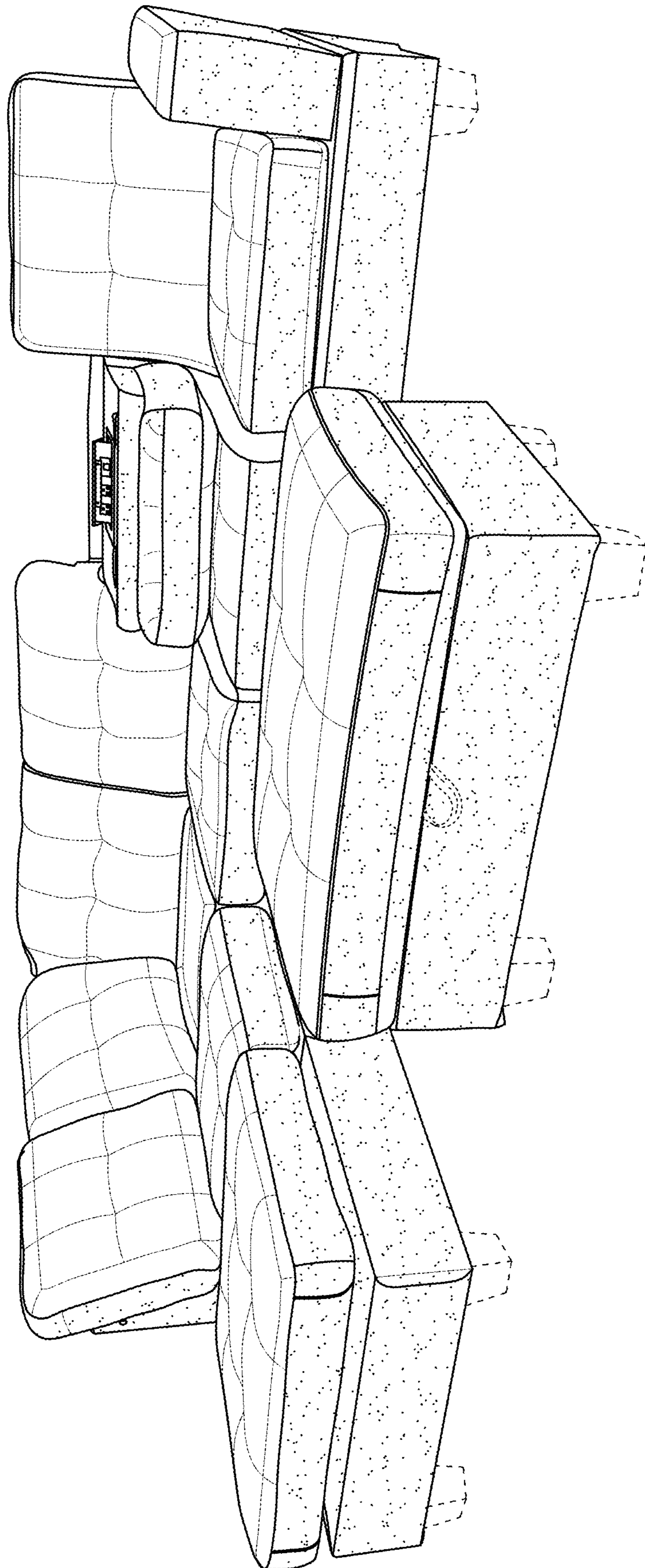


FIG. 1

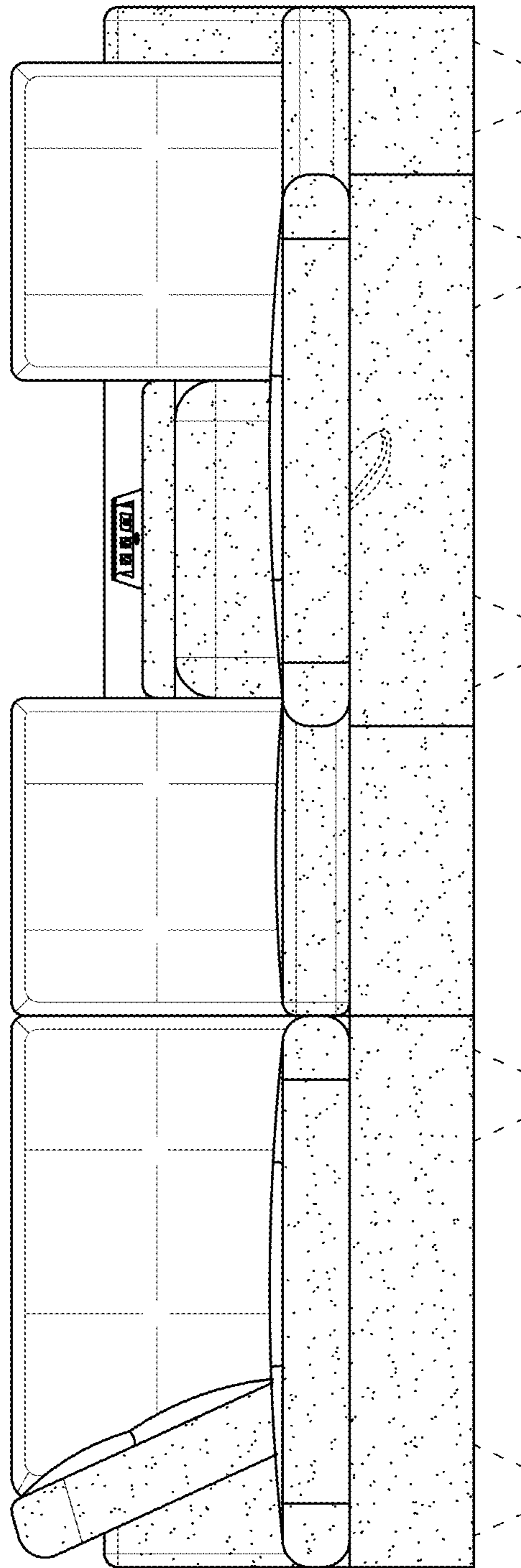


FIG. 2

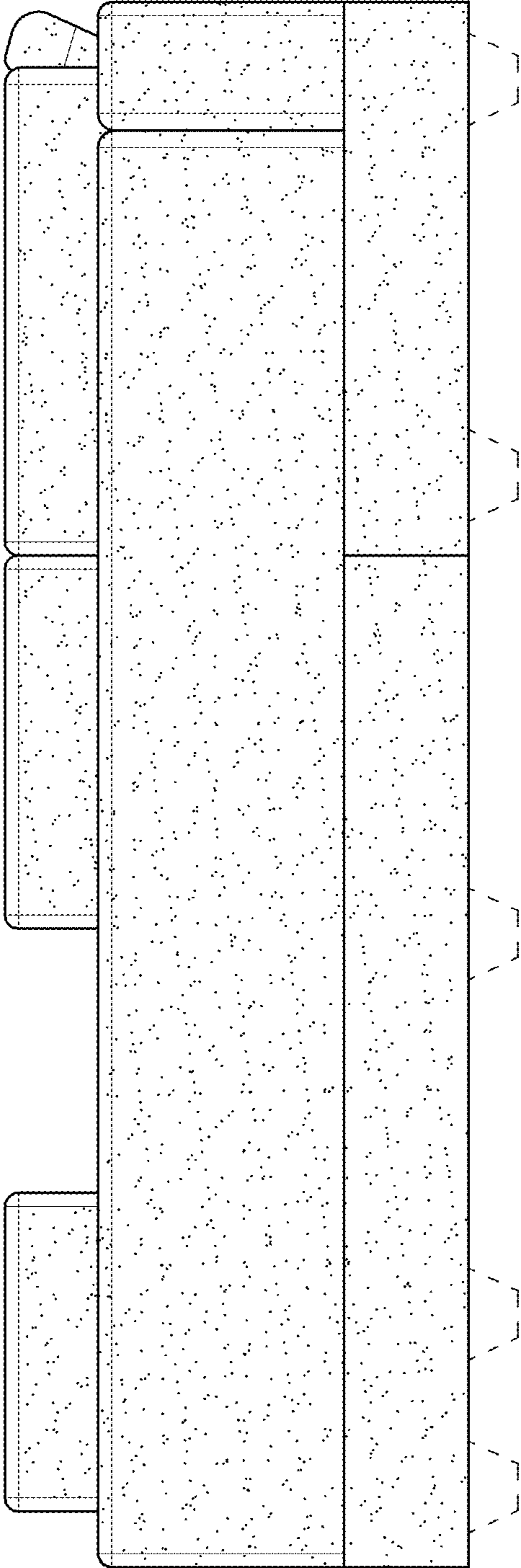


FIG. 3

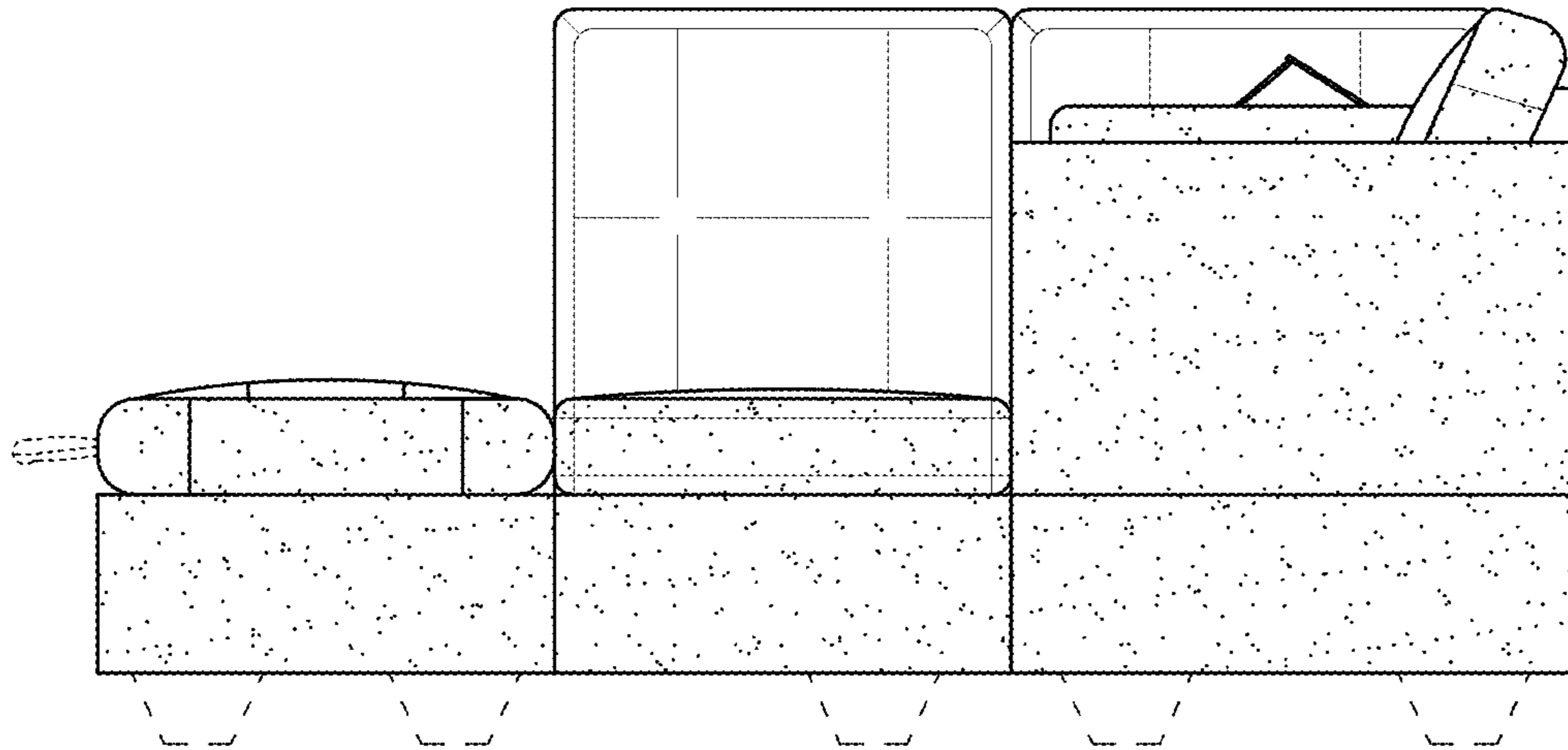


FIG. 4

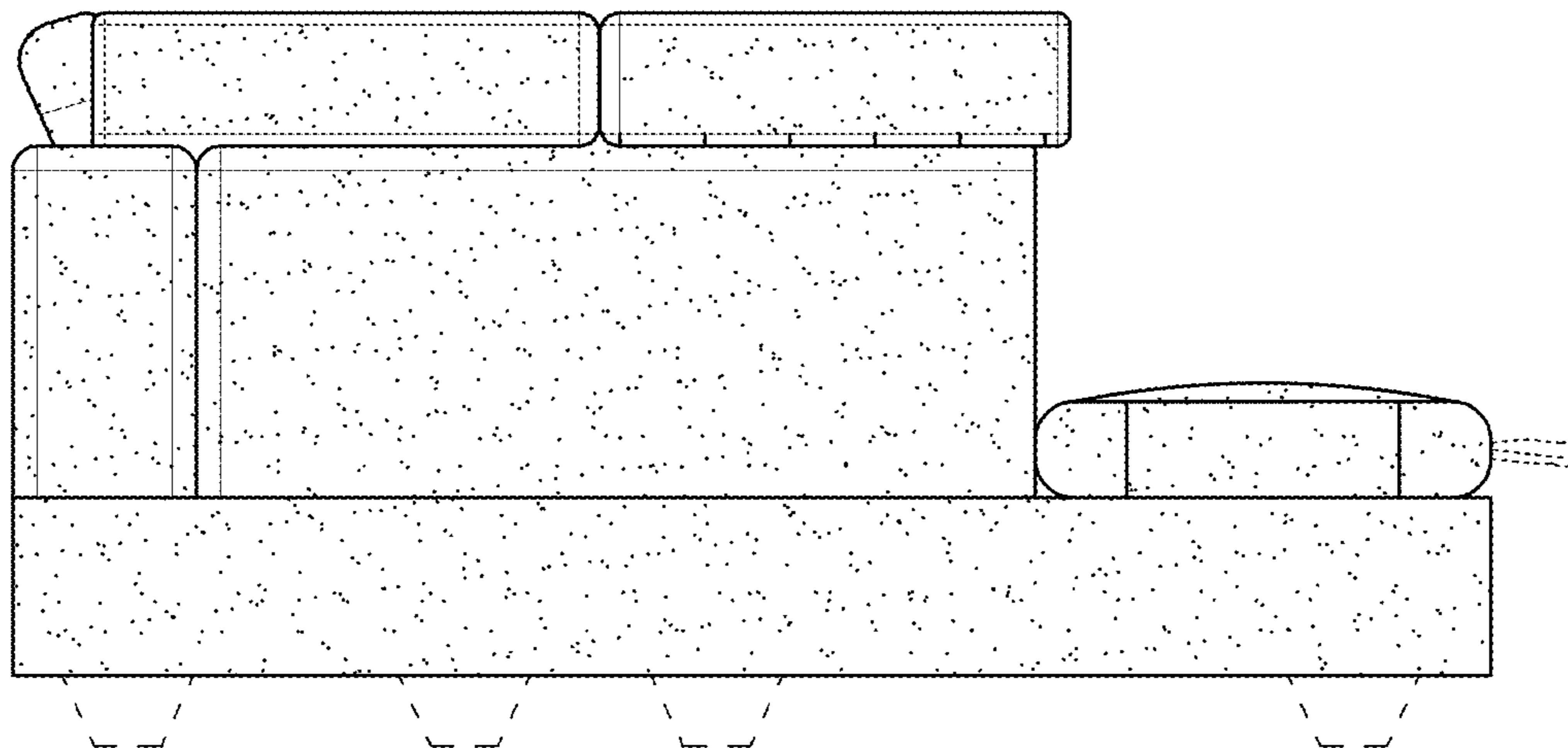


FIG. 5

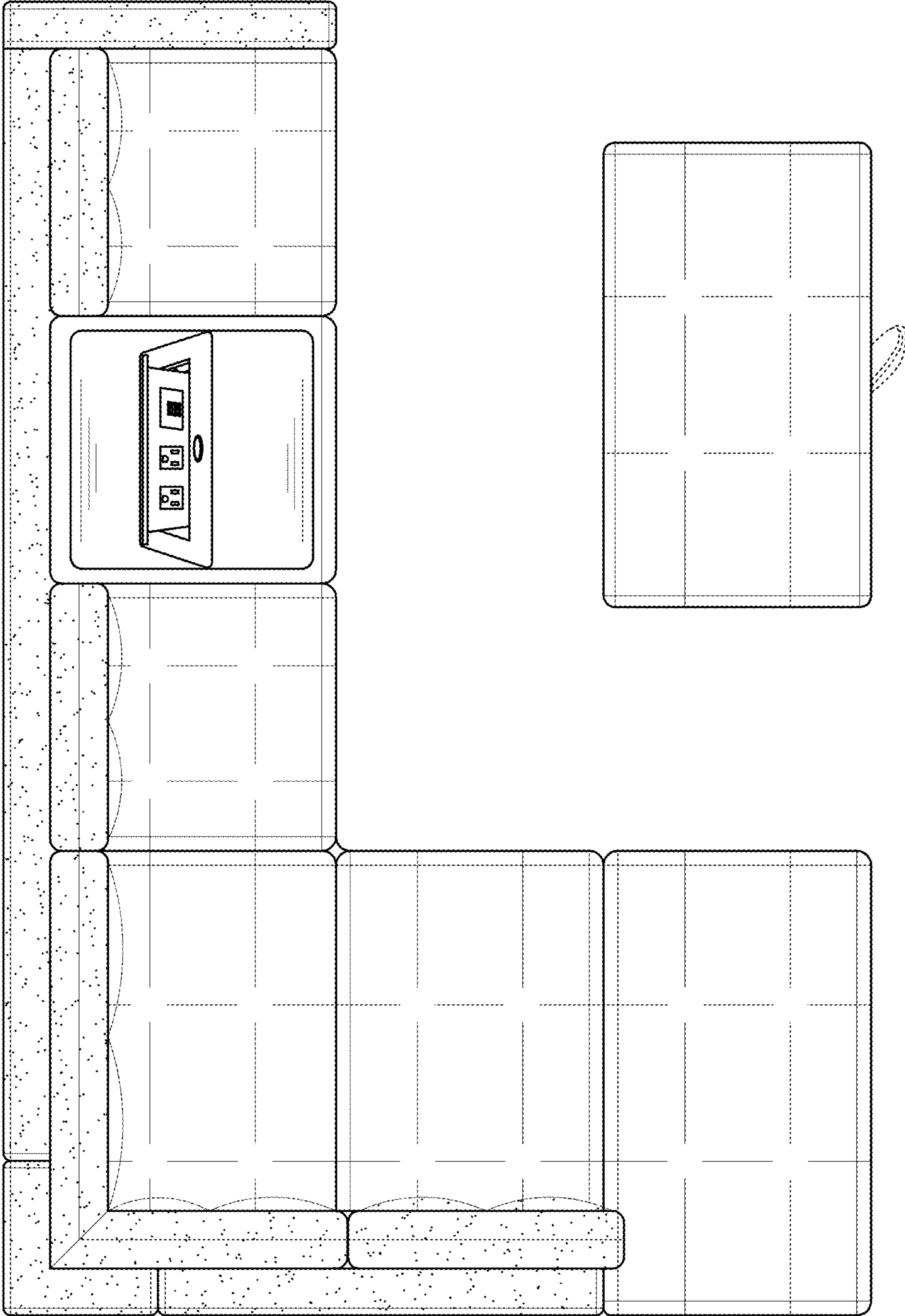


FIG. 6

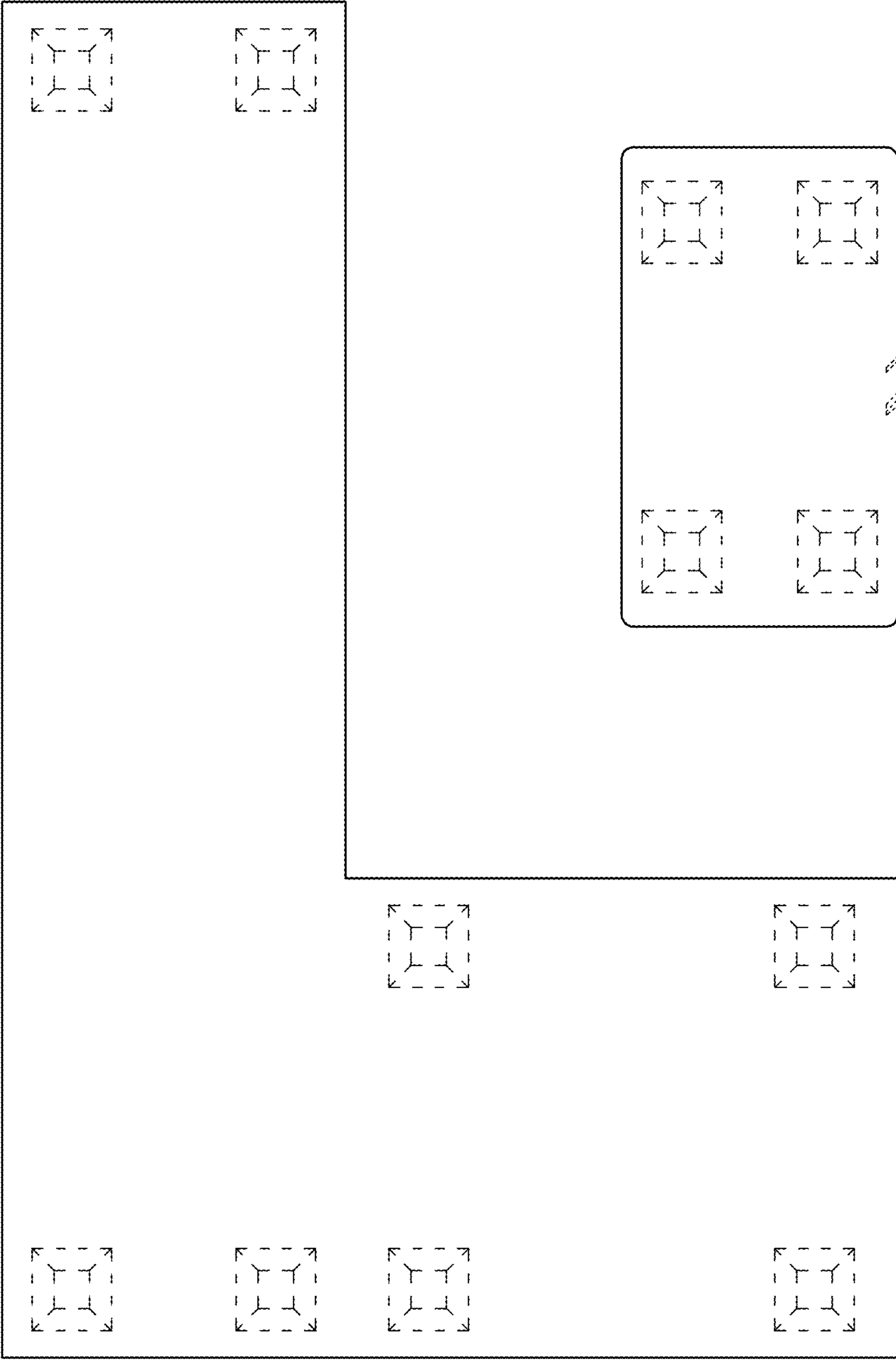


FIG. 7

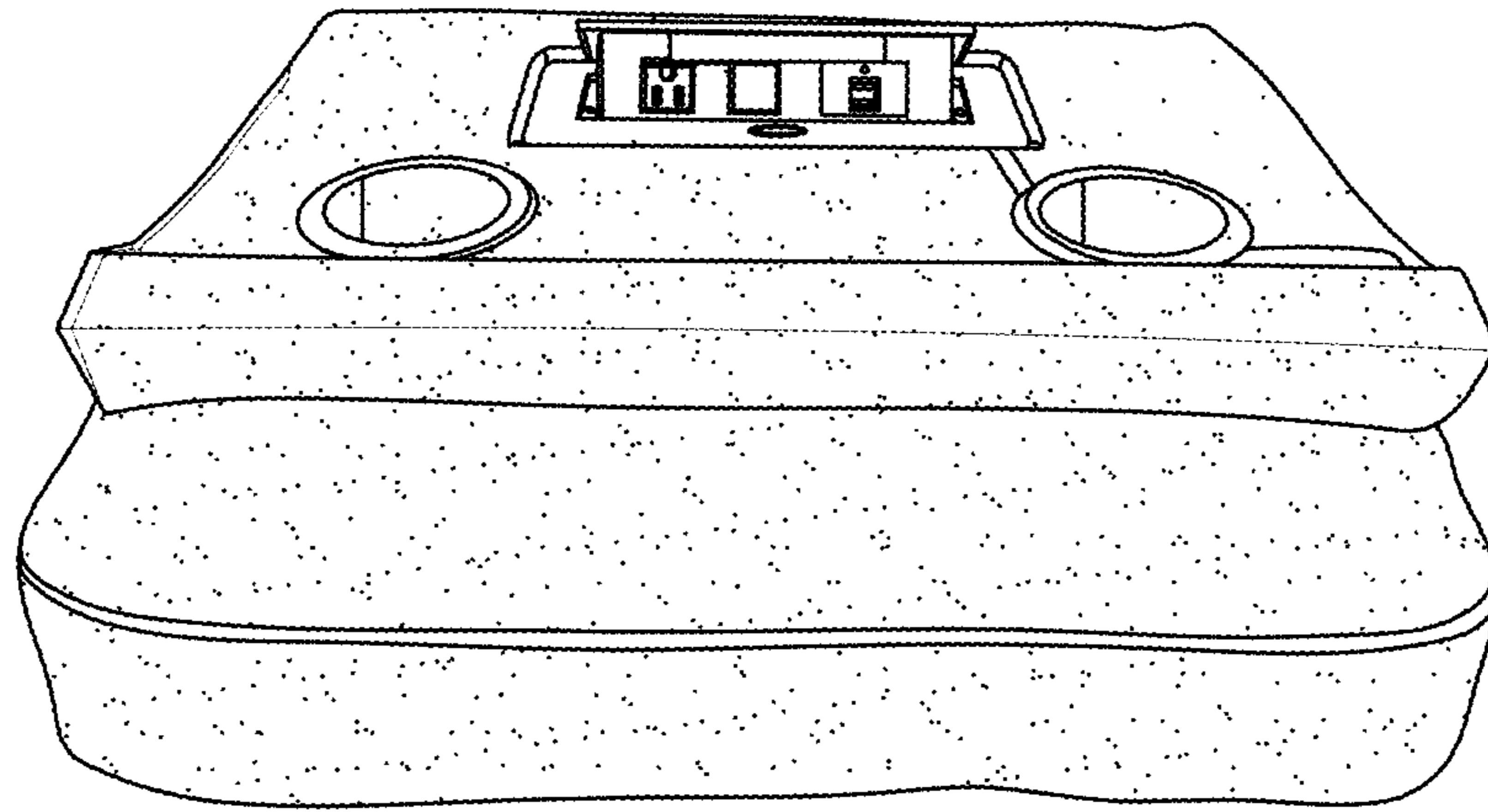


FIG. 8

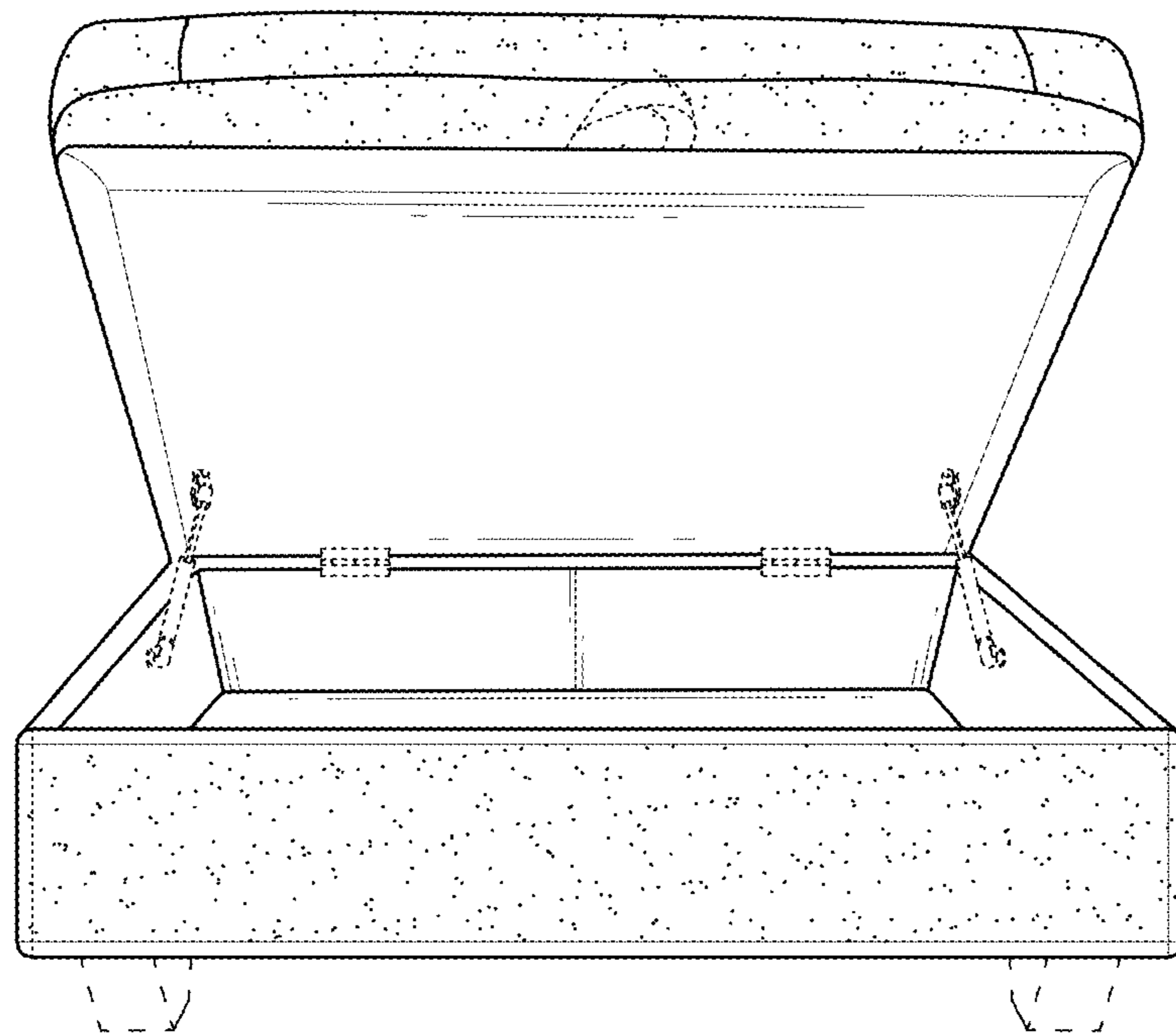


FIG. 9

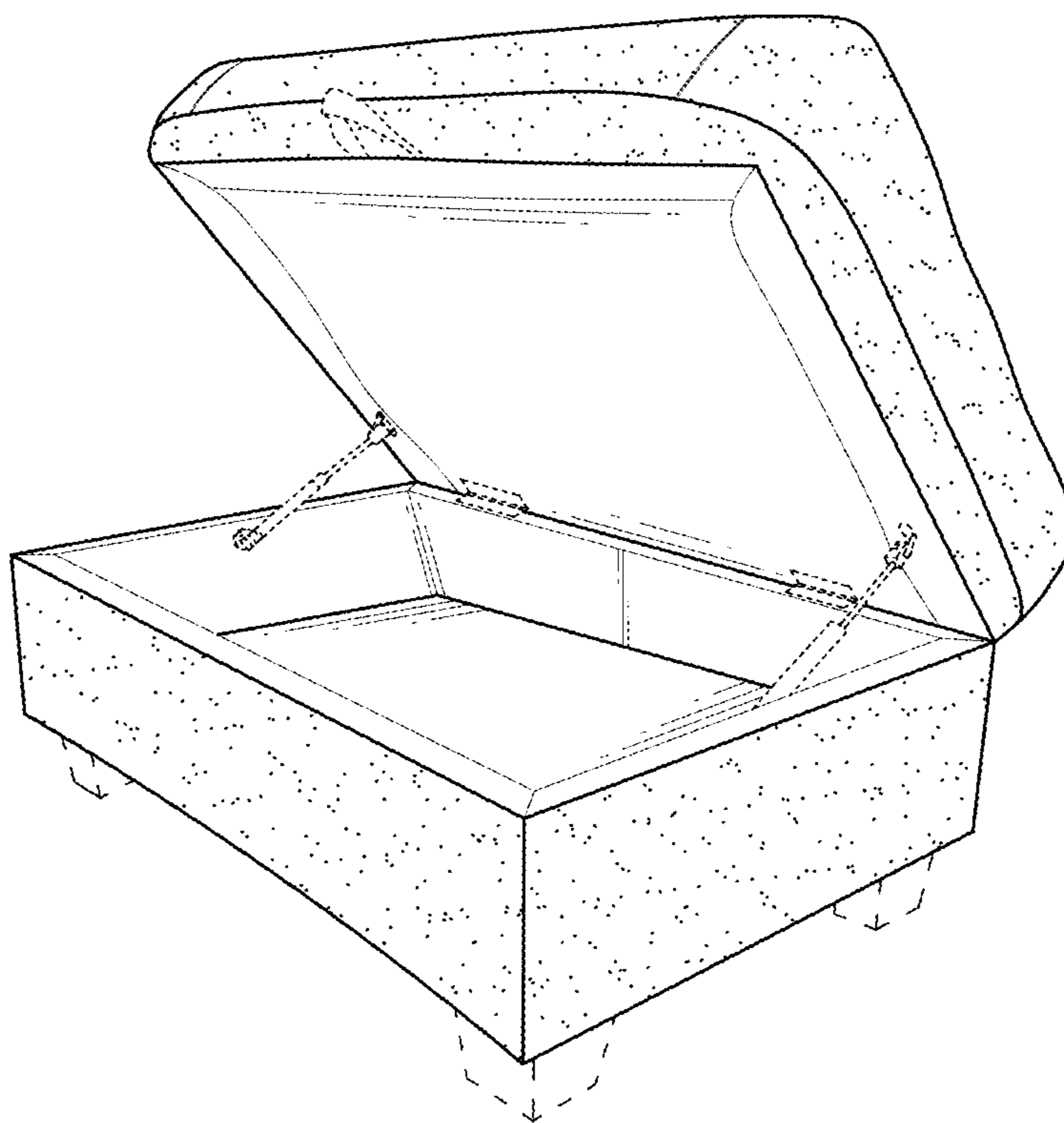


FIG. 10

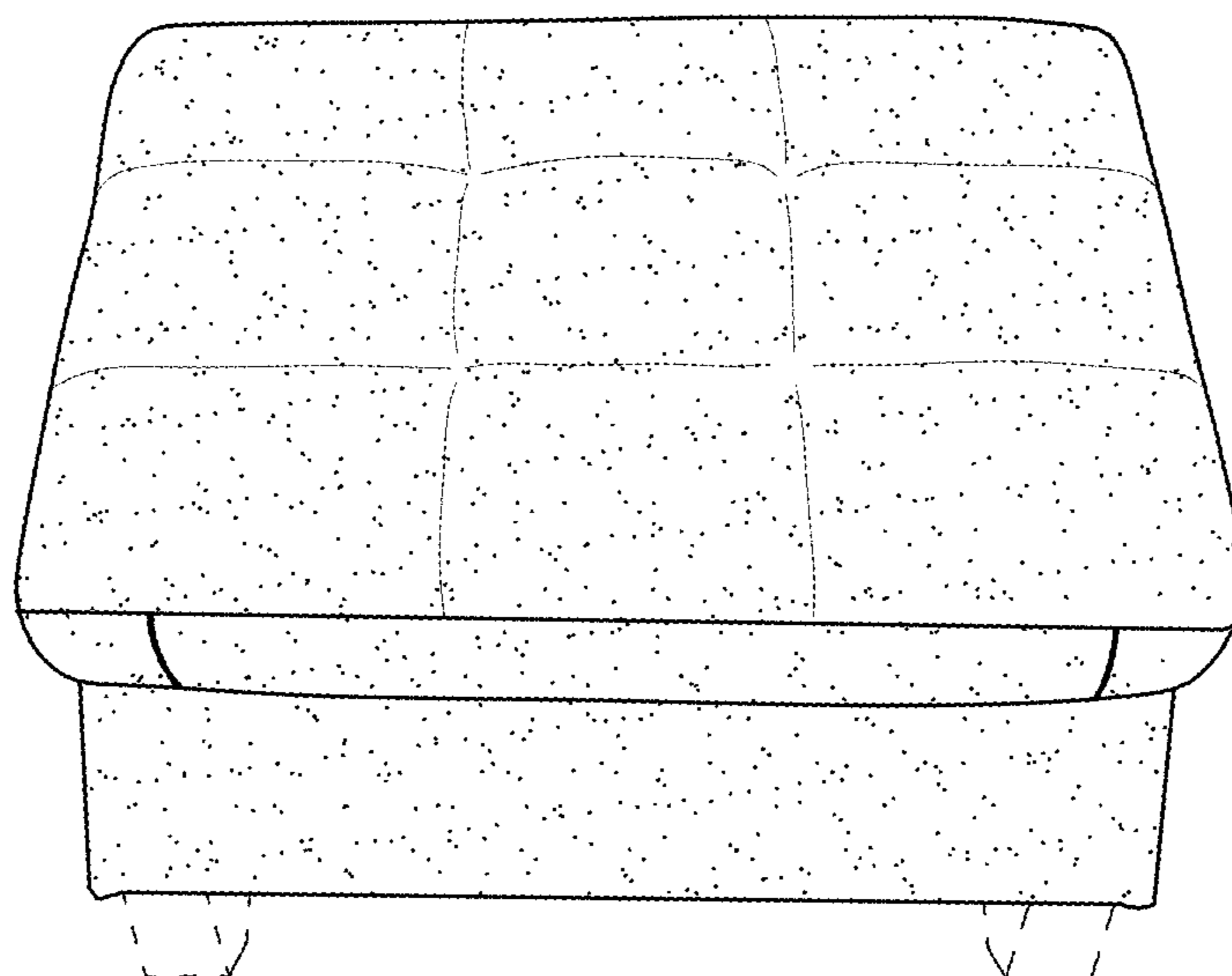


FIG. 11