



US00D936373S

(12) **United States Design Patent** (10) **Patent No.:** **US D936,373 S**
Guo (45) **Date of Patent:** **** Nov. 23, 2021**

(54) **MIRROR**
(71) Applicant: **ANHUI MAOXIN HOME CRAFTS CO., LTD.**, Suzhou (CN)
(72) Inventor: **Qihu Guo**, Suzhou (CN)
(73) Assignee: **ANHUI MAOXIN HOME CRAFTS CO., LTD.**, Suzhou (CN)
(**) Term: **15 Years**
(21) Appl. No.: **29/730,624**
(22) Filed: **Apr. 7, 2020**
(51) **LOC (13) Cl.** **06-07**
(52) **U.S. Cl.**
USPC **D6/300**
(58) **Field of Classification Search**
USPC D6/300-302, 308-314; D23/270, 271, D23/286; D26/56; D19/113; D20/10, D20/19, 39, 42; D11/79, 80, 86, 131
CPC ... A47G 1/00; A47G 1/02; A47G 1/06; A47G 1/0605; A47G 1/0638; A47G 1/08; A47G 1/14; A47G 1/16; A47G 1/1606; A47G 1/1613; A47G 2001/0661; A47G 2001/0688; A47G 2001/0694; A47G 2001/148
See application file for complete search history.

D856,990 S * 8/2019 Romano D14/250
D872,487 S * 1/2020 Choi D6/309
D902,607 S * 11/2020 Liu D6/308
D921,523 S * 6/2021 Huang D11/79
D923,343 S * 6/2021 Wang D6/308

FOREIGN PATENT DOCUMENTS

CN 306556995 * 10/2020

OTHER PUBLICATIONS

KOHROS Large Antique Wall Mirror [online], [site visited Jun. 29, 2021]. Available from internet, URL: <<<https://www.amazon.com/KOHROS-Antique-Venetian-Rectangle-Jeweled/dp/B07MBFMG5W/>>> (Year: 2020).*

(Continued)

Primary Examiner — Cynthia Ramirez
Assistant Examiner — Xavier Marti-Santos

(57) **CLAIM**

The ornamental design for a mirror, as shown and described.

DESCRIPTION

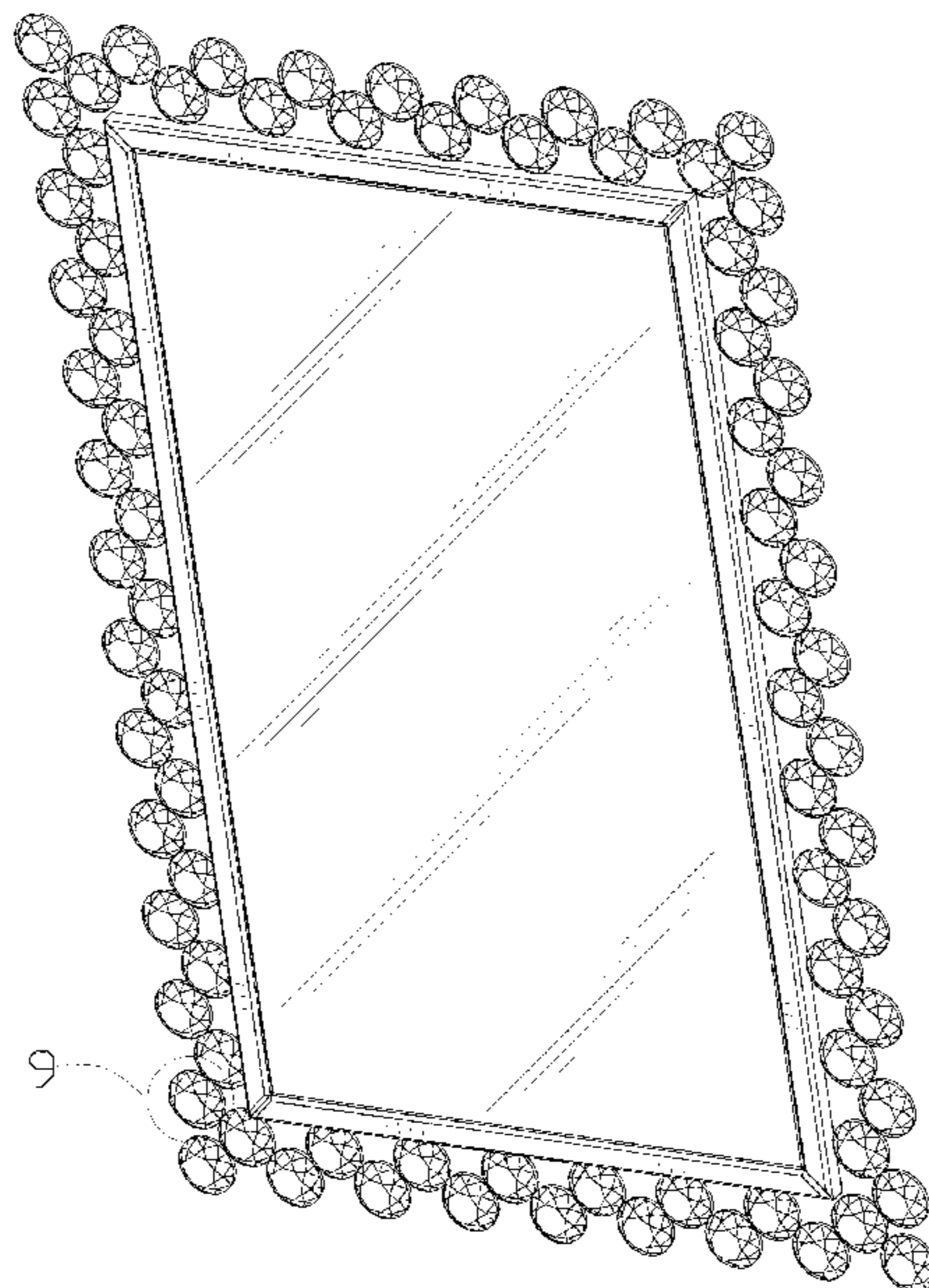
FIG. 1 is a perspective view of a mirror showing my new design;
FIG. 2 is another perspective view thereof;
FIG. 3 is a front elevational view thereof;
FIG. 4 is a rear elevational view thereof;
FIG. 5 is a left side elevational view thereof;
FIG. 6 is a right side elevational view thereof;
FIG. 7 is a top plan view thereof;
FIG. 8 is a bottom plan view thereof; and,
FIG. 9 is an enlarged view of portion 9 shown in FIG. 1.
The dash-dot broken lines in the figures are demarcating enlarged areas and form no part of the claimed design.

1 Claim, 9 Drawing Sheets

(56) **References Cited**

U.S. PATENT DOCUMENTS

D23,022 S * 1/1894 Kelsey D6/300
D40,148 S * 7/1909 Cruver D6/303
D444,176 S * 6/2001 Leslie D19/113
D464,808 S * 10/2002 Martinez D6/300
D521,916 S * 5/2006 Spencer D12/193
D720,647 S * 1/2015 Kwon D11/43
D761,151 S * 7/2016 Weems D11/80
D833,326 S * 11/2018 Pierce D11/121



(56)

References Cited

OTHER PUBLICATIONS

Malden International Designs Malden Brilliance Jewel Mirror Picture Frame [online], [site visited Jun. 30, 2021]. Available from internet, URL: <<https://www.amazon.com/Malden-International-Designs-Brilliance-Mirrored/dp/B008GRSO2A?th=1>> (Year: 2016).*

Diamond Mirror Frame [online], [site visited Jun. 29, 2021]. Available from internet, URL: <<https://www.giftsandmoreshop.com/collections/home-picture-frames/products/diamond-mirror-frame-5x7>> (Year: 2021).*

Anhui Maoxin Household Crafts Facebook post [online], [site visited Jun. 29, 2021]. Available from internet, URL: <<https://www.facebook.com/Anhui-Maoxin-Household-Crafts-Co-Ltd-107093424110244/photos/144592057027047/>> (Year: 2020).*

* cited by examiner

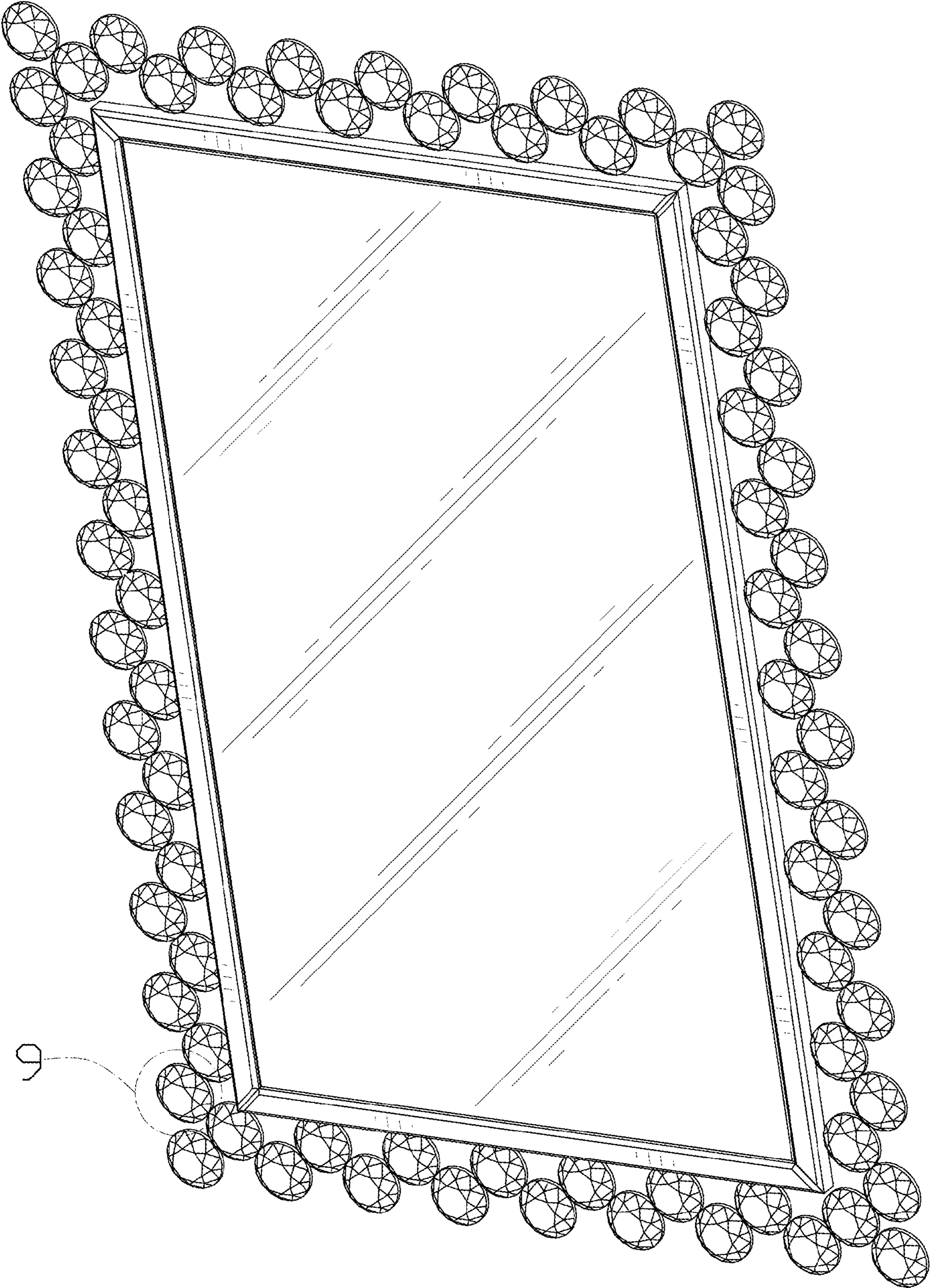


FIG. 1

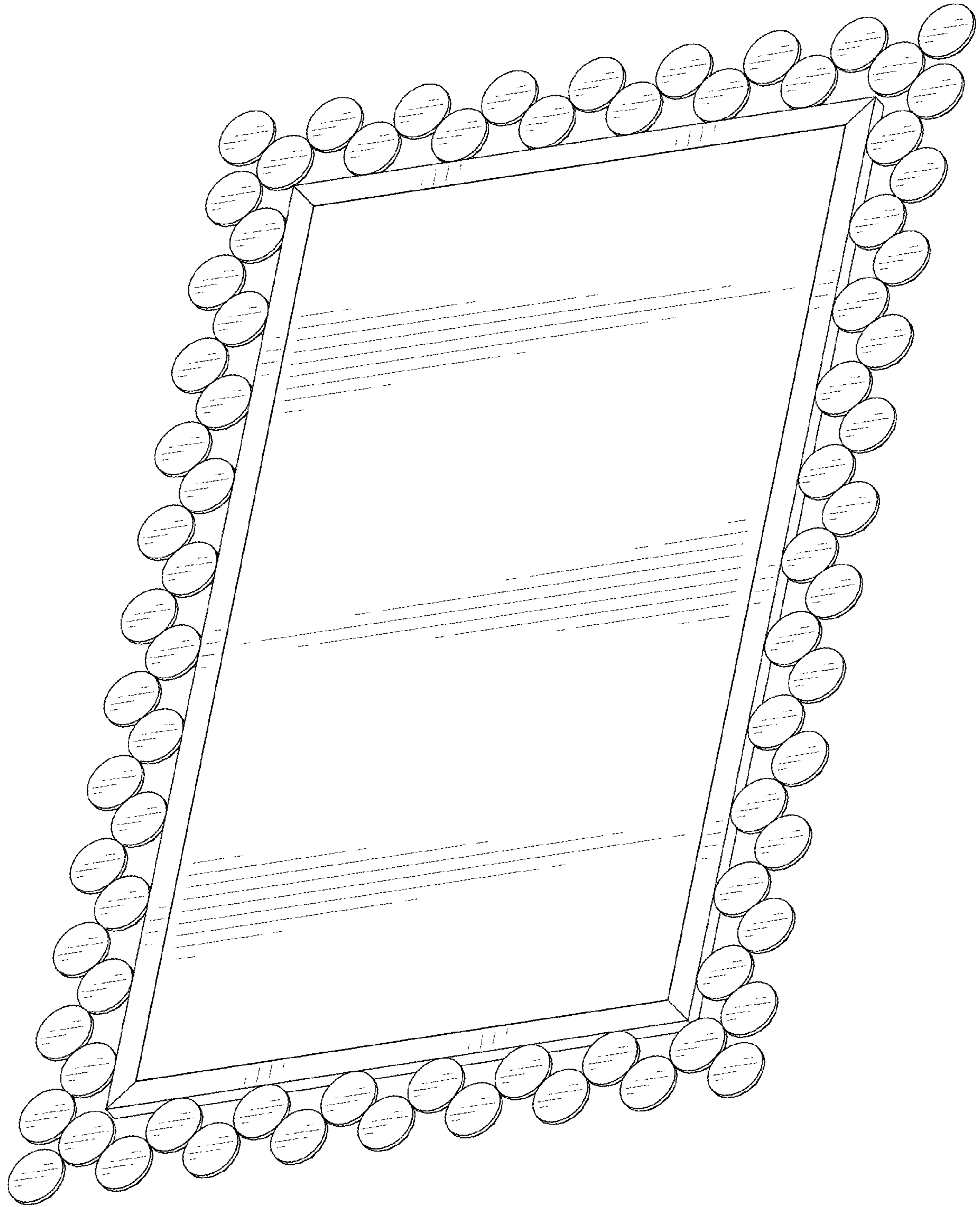


FIG. 2

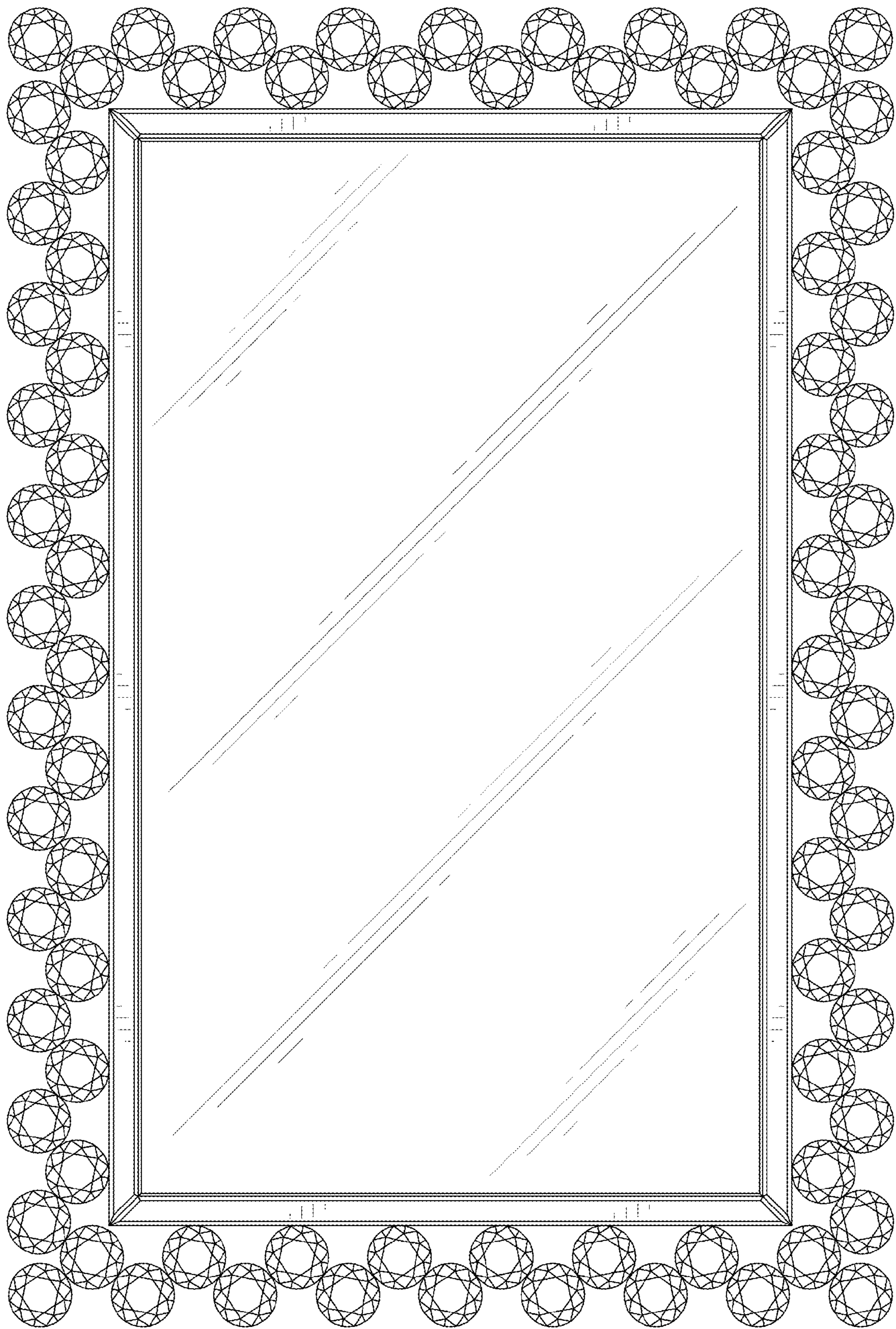


FIG. 3

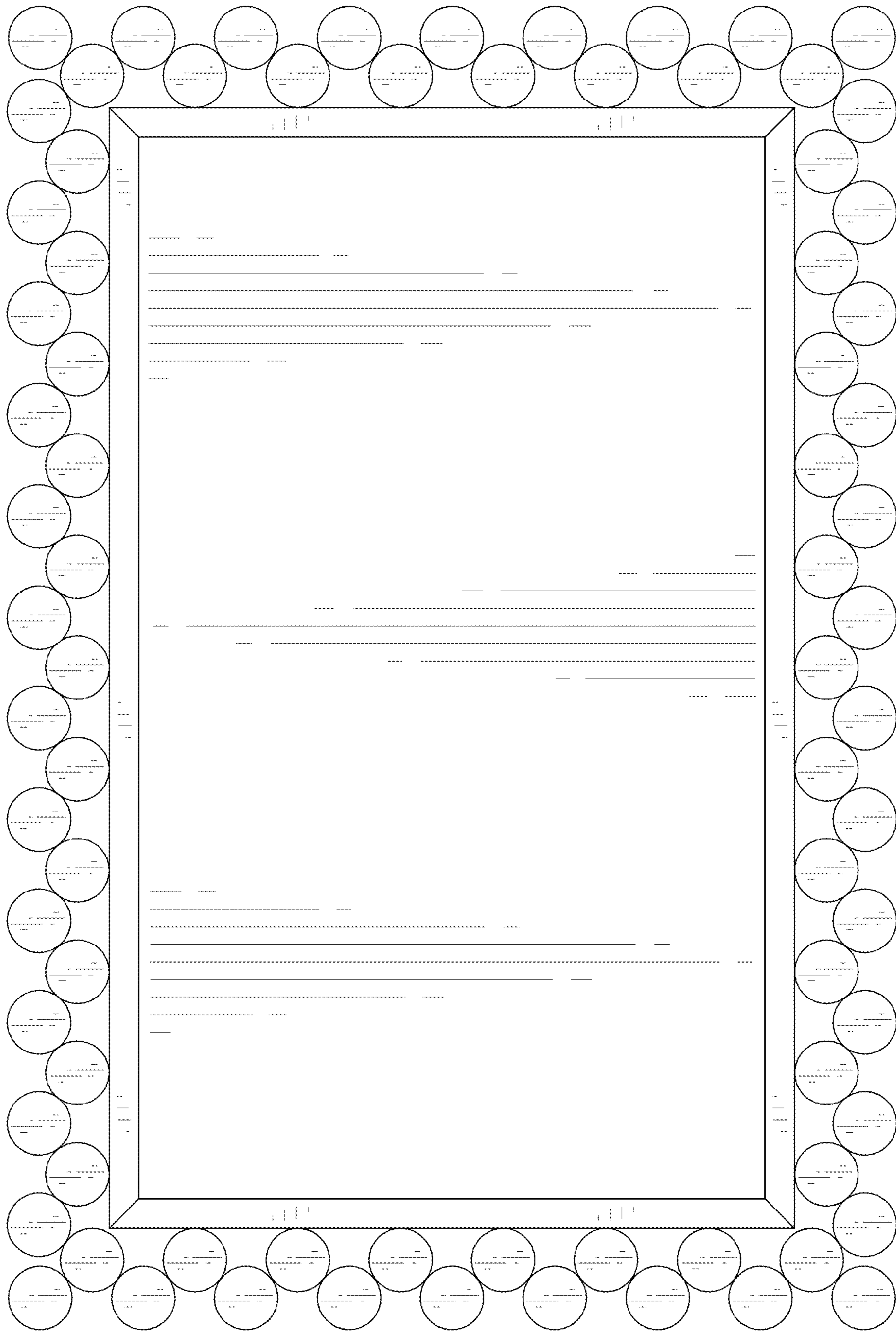


FIG. 4



FIG. 5



FIG. 6



FIG. 7

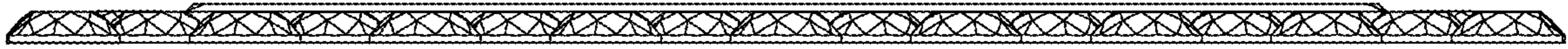


FIG. 8

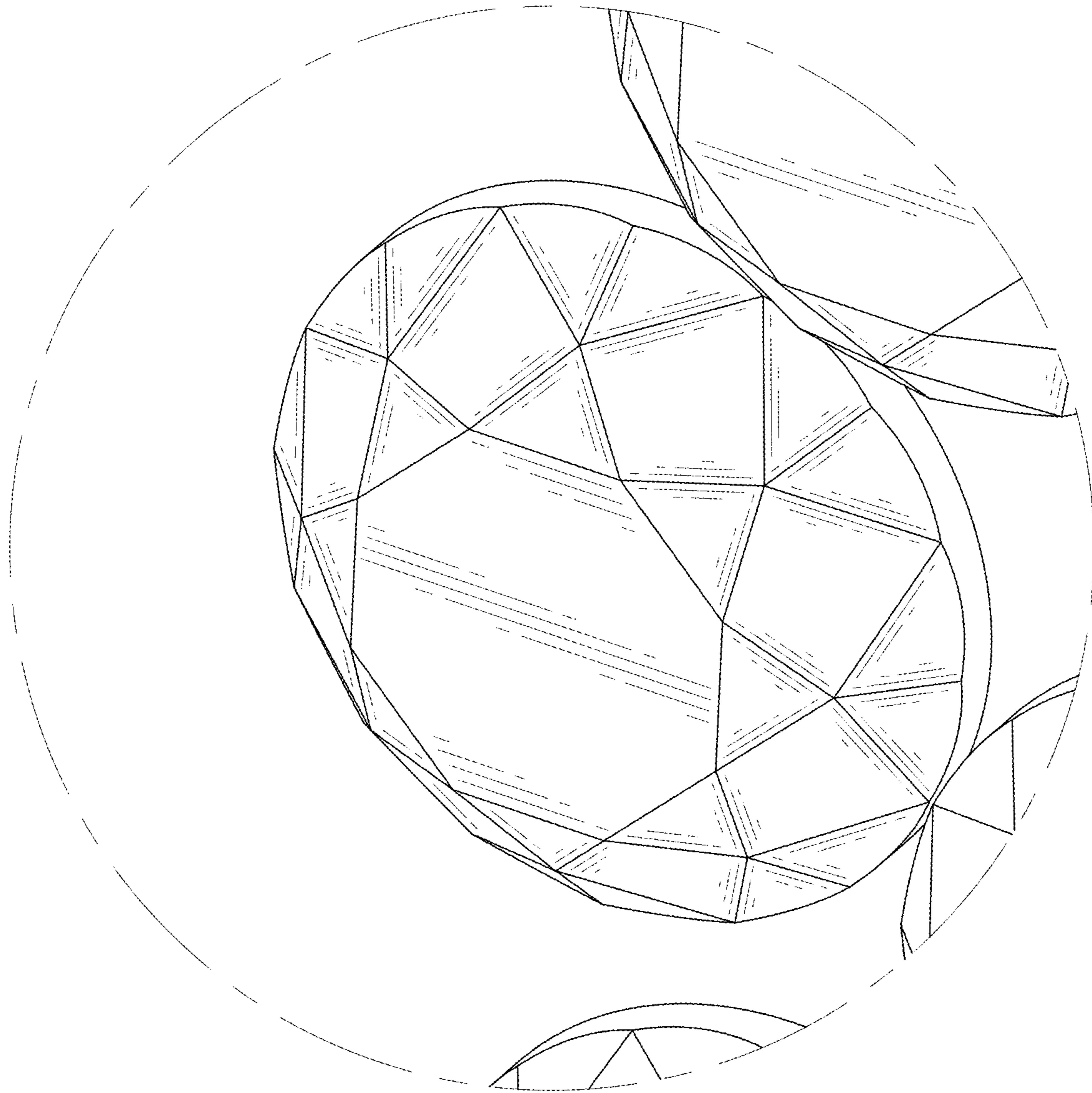


FIG. 9