



US00D936368S

(12) **United States Design Patent** (10) **Patent No.:** **US D936,368 S**  
**Berland et al.** (45) **Date of Patent:** **\*\* Nov. 23, 2021**

(54) **DENTURE BRUSH**  
(71) Applicants: **Lorin Berland**, Miami, FL (US);  
**Jean-Paul Berland**, Miami, FL (US)  
(72) Inventors: **Lorin Berland**, Miami, FL (US);  
**Jean-Paul Berland**, Miami, FL (US)

D411,683 S 6/1999 Moskovich et al.  
D414,607 S 10/1999 Trojanowski et al.  
D414,608 S 10/1999 Trojanowski et al.  
D414,938 S 10/1999 Stein  
D426,958 S 6/2000 Moskovich et al.  
D428,258 S \* 7/2000 Moskovich ..... D4/107  
(Continued)

(\*\*) Term: **15 Years**

FOREIGN PATENT DOCUMENTS

(21) Appl. No.: **29/711,612**

EM 007842141-0001 4/2020  
EM 007848783-0001 4/2020  
(Continued)

(22) Filed: **Nov. 1, 2019**

(51) **LOC (13) Cl.** ..... **04-02**

(52) **U.S. Cl.**  
USPC ..... **D4/106**

(58) **Field of Classification Search**  
USPC .... D4/100-138; D8/90, 105, 107, 300, 303;  
D32/50, 51, 52; D28/7, 63; D7/393,  
D7/395, 401.2; D24/176, 181  
CPC .... A46B 2200/1066; A46B 2200/1046; A46B  
2200/3093; A46B 9/04; A46B 13/023;  
A46B 5/0095; A61C 15/00; Y10S 15/00;  
Y10S 15/10  
See application file for complete search history.

OTHER PUBLICATIONS

Dr.B Brush, announced Oct. 2020 [online], [site visited Mar. 5, 2021], Available from internet, URL: <https://www.dentistrytoday.com/products/technology-innovations/item/7259-toothbrush-targets-people-with-dentures> (Year: 2020).\*

(Continued)

*Primary Examiner* — George A Bugg  
*Assistant Examiner* — Tamara L Hahn  
(74) *Attorney, Agent, or Firm* — Benjamin M. Hanrahan

(56) **References Cited**

(57) **CLAIM**

The ornamental design for a denture brush, as shown and described.

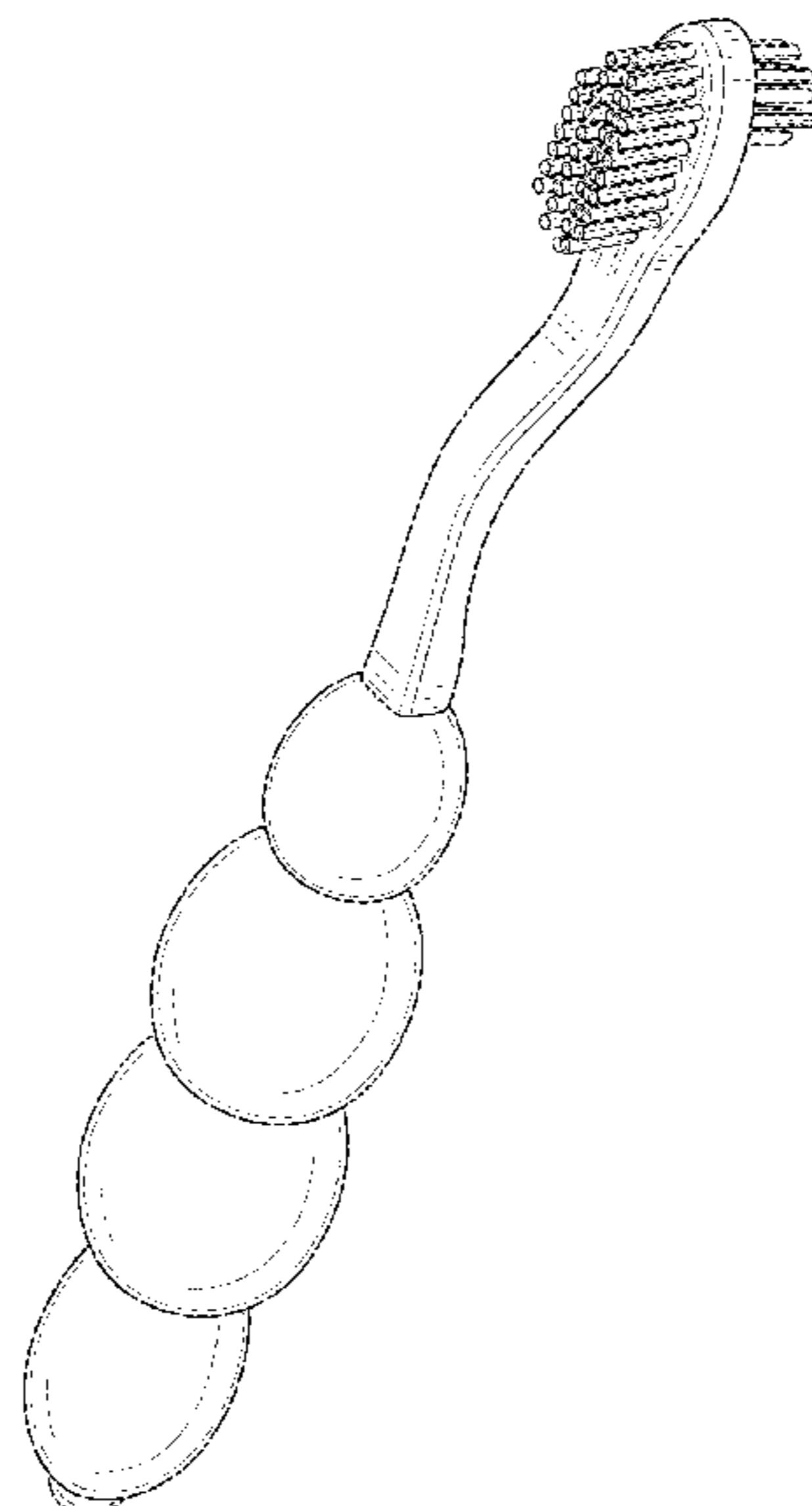
U.S. PATENT DOCUMENTS

**DESCRIPTION**

D248,696 S 8/1978 Greenberg  
D273,538 S 4/1984 Farnes et al.  
D281,375 S 11/1985 Konjovic  
D287,072 S 12/1986 Pflieger  
D301,937 S 7/1989 Thompson  
4,894,880 A 1/1990 Aznavoorian  
D359,851 S 7/1995 Loew  
D374,775 S 10/1996 Yost et al.  
D377,867 S 2/1997 Berghash et al.  
D397,872 S \* 9/1998 Moskovich ..... D4/104  
D402,117 S 12/1998 Fleming et al.  
D403,510 S 1/1999 Menke et al.  
5,873,140 A 2/1999 Holloway  
D407,560 S 4/1999 Huang

FIG. 1 is a perspective view illustrating our design for a denture brush.  
FIG. 2 is another perspective view thereof.  
FIG. 3 is a right-side view thereof.  
FIG. 4 is a rear view thereof.  
FIG. 5 is a left-side view thereof.  
FIG. 6 is a front view thereof.  
FIG. 7 is a top view thereof; and,  
FIG. 8 is a bottom view thereof.

**1 Claim, 7 Drawing Sheets**



(56)

References Cited

U.S. PATENT DOCUMENTS

D444,303 S 7/2001 Reille  
 D444,629 S 7/2001 Ester et al.  
 6,276,021 B1 8/2001 Hohlbein  
 D448,569 S 10/2001 Harris et al.  
 D453,077 S \* 1/2002 Chen ..... D4/138  
 D456,136 S \* 4/2002 Roehrig ..... D4/104  
 D461,056 S 8/2002 Florence  
 D469,611 S 2/2003 Oriani et al.  
 D480,562 S 10/2003 Saindon et al.  
 6,643,887 B1 \* 11/2003 Foley ..... A46B 5/0033  
 15/167.1  
 D483,950 S 12/2003 Oriani et al.  
 D489,533 S 5/2004 Yost et al.  
 D490,982 S 6/2004 Moskovich et al.  
 D505,264 S 5/2005 Chen  
 D510,482 S \* 10/2005 Jimenez ..... D4/104  
 D510,808 S 10/2005 Bantleon et al.  
 D513,126 S \* 12/2005 Jimenez ..... D4/104  
 D540,542 S 4/2007 Harada  
 D555,359 S 11/2007 Chen  
 D596,235 S \* 7/2009 Tsai ..... D19/194  
 D619,369 S 7/2010 Nanda  
 D637,817 S 5/2011 Smith  
 D640,469 S \* 6/2011 Nanda ..... D4/112  
 D648,134 S \* 11/2011 Nanda ..... D4/112  
 D652,627 S 1/2012 Nanda  
 D661,100 S 6/2012 Nanda  
 D664,359 S 7/2012 Xi et al.  
 D674,609 S 1/2013 Li  
 8,464,388 B2 6/2013 Chen  
 D733,433 S 7/2015 Corbett et al.  
 D742,649 S 11/2015 Thompson  
 D747,881 S 1/2016 Li  
 D752,870 S 4/2016 Slota  
 D754,441 S \* 4/2016 Corbett ..... D4/101  
 D764,804 S 8/2016 Lee et al.  
 D765,983 S 9/2016 Jimenez et al.  
 D776,936 S 1/2017 Fretwell et al.  
 D780,458 S 3/2017 Foley et al.  
 D783,290 S 4/2017 Lee et al.  
 D790,862 S 7/2017 Matelo et al.

D794,963 S 8/2017 Matelo et al.  
 D796,847 S 9/2017 Xi et al.  
 D797,459 S 9/2017 Moskovich et al.  
 D799,836 S 10/2017 Bauernfeind et al.  
 D801,698 S 11/2017 Lafortune et al.  
 D838,490 S 1/2019 Kijurina  
 D852,579 S \* 7/2019 Greenwald ..... D7/401.2  
 D854,332 S 7/2019 Hielscher et al.  
 D855,330 S 8/2019 Serval et al.  
 D881,645 S \* 4/2020 Ferrell ..... D7/401.2  
 D898,367 S \* 10/2020 Schiffer ..... D4/104  
 2007/0089256 A1 4/2007 Chen  
 2008/0256730 A1 \* 10/2008 Chen ..... A46B 15/0042  
 15/105  
 2010/0236006 A1 \* 9/2010 Deng ..... A46B 9/045  
 15/167.2  
 2015/0013088 A1 \* 1/2015 Li ..... A46B 15/0087  
 15/167.1  
 2017/0013952 A1 \* 1/2017 Li ..... A46B 15/0004

FOREIGN PATENT DOCUMENTS

EP 0655209 A1 5/1995  
 JP D1135781 3/2002

OTHER PUBLICATIONS

Amazon Dental Brush 1, dated Mar. 2017 [online] Available from internet, URL: [https://www.amazon.com/TCS-Dental-Apppliance-Brush-3/dp/BO6XGB1C9L/ref=sr\\_1\\_2\\_sspa](https://www.amazon.com/TCS-Dental-Apppliance-Brush-3/dp/BO6XGB1C9L/ref=sr_1_2_sspa) (Year:2017).  
 Amazon Denture Brush 2, dated Dec. 2020 [online]. Available from internet, URL: [https://www.amazon.com/Denture-Cleaning-hygienic-T-shaped-Toothbrush/dp/BO8RRR79X9/ref=sr\\_1\\_15](https://www.amazon.com/Denture-Cleaning-hygienic-T-shaped-Toothbrush/dp/BO8RRR79X9/ref=sr_1_15)(Year:2020).  
 Oral B Brush, dated 2013 [online]. Available from internet, URL: <https://www.walmart.com/ip/Oral-Denture-Toothbrush-1-Count/46107929> {Year:2013}.  
 Dr. B Brush, "Toothbrush Targets People with Dentures" | Available from Internet, URL: <https://www.dentistrytoday.com/products/technology-innovations/item/7259-toothbrush-targets-people-with-dentures>, dated Oct. 26, 2020 (Year: 2020).

\* cited by examiner

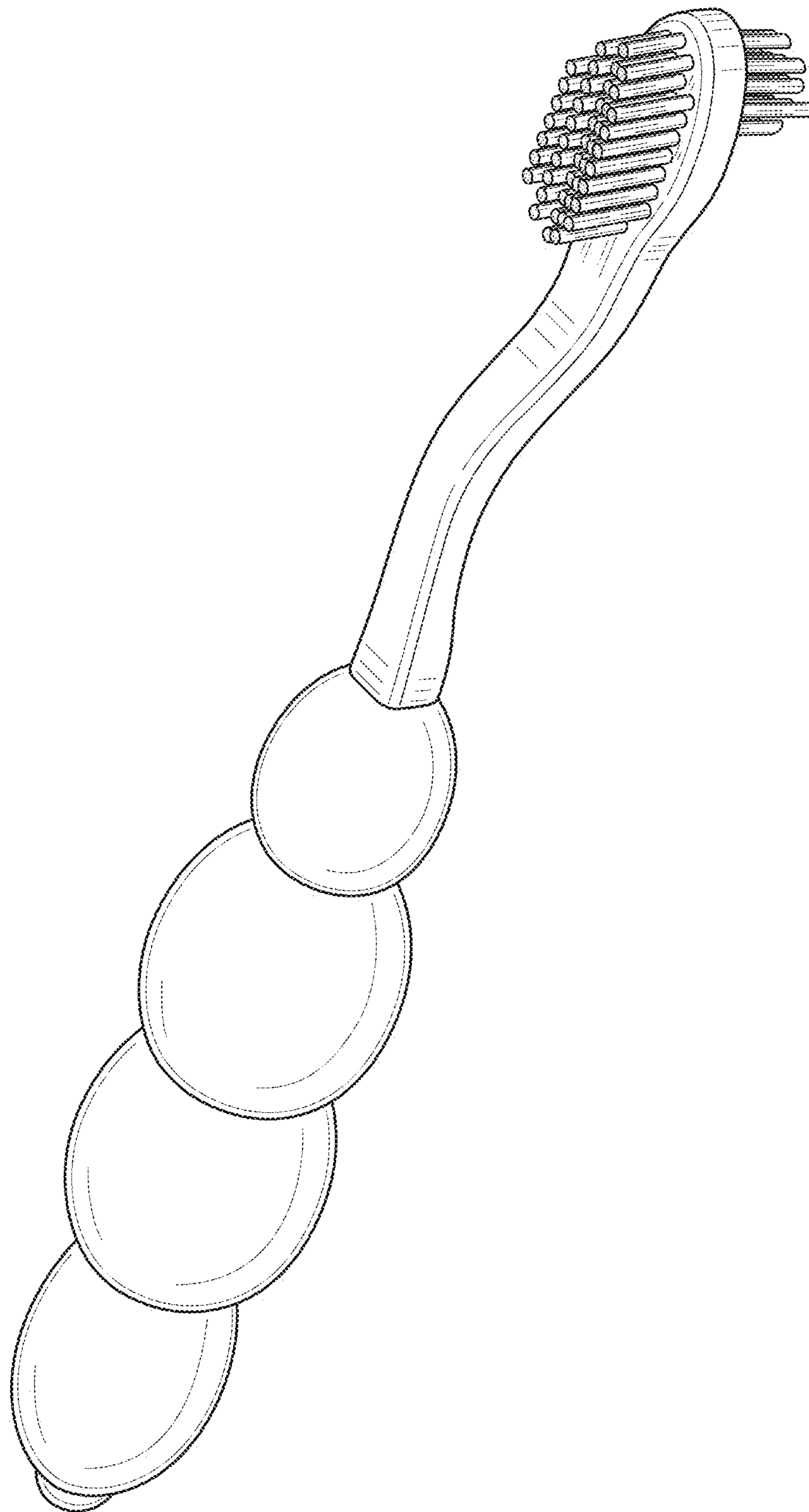


FIG. 1

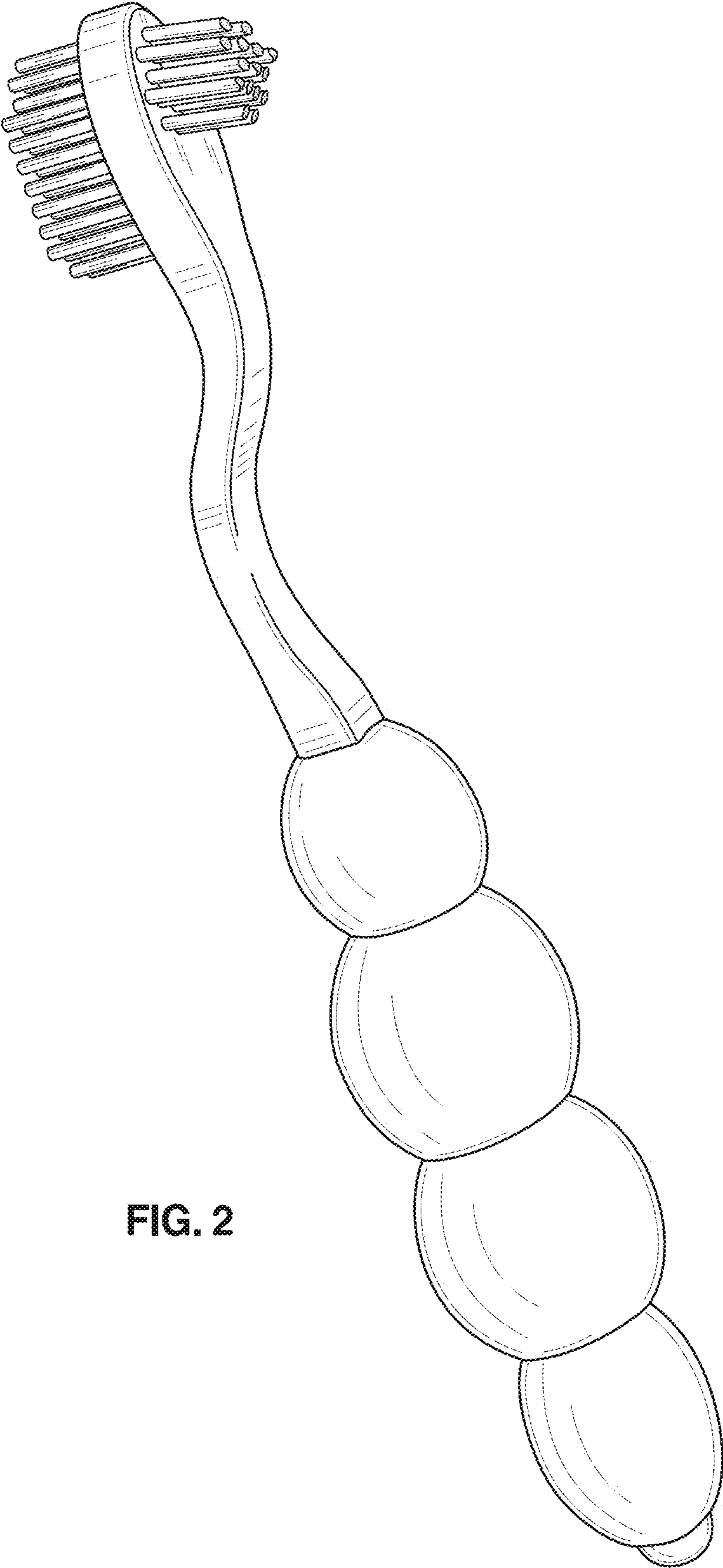


FIG. 2

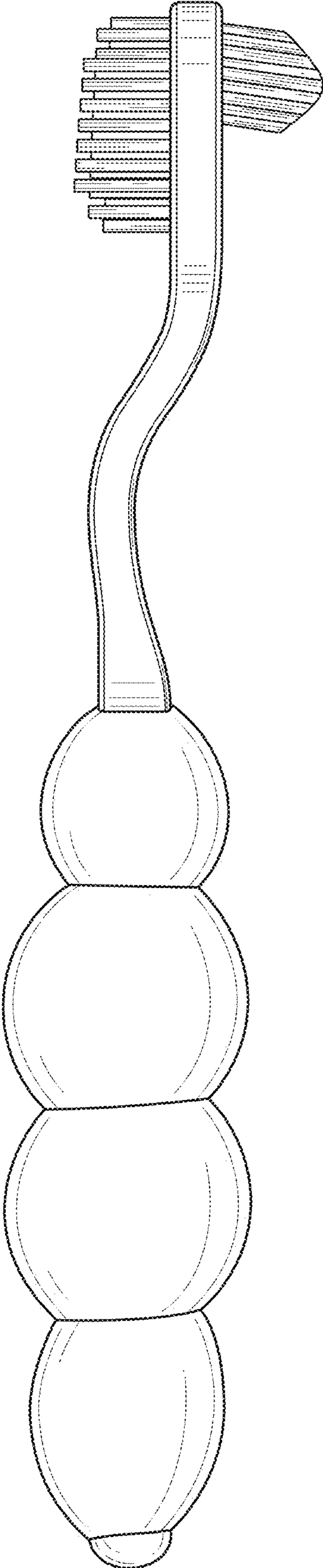


FIG. 3

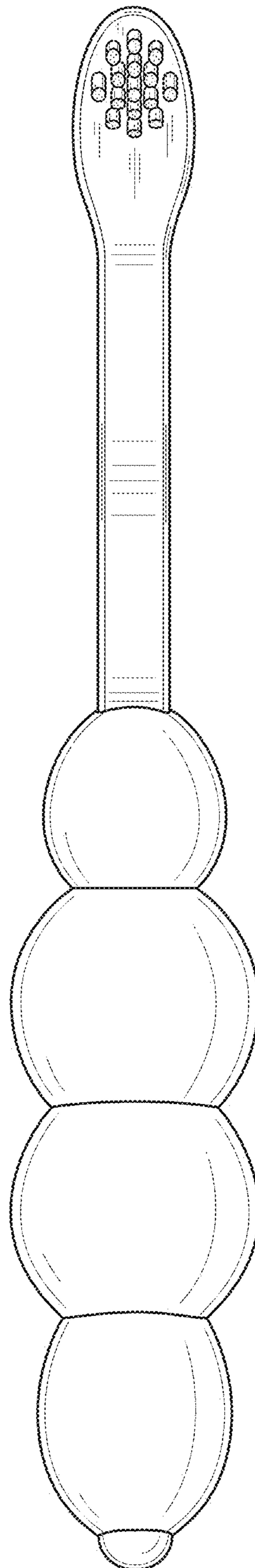


FIG. 4

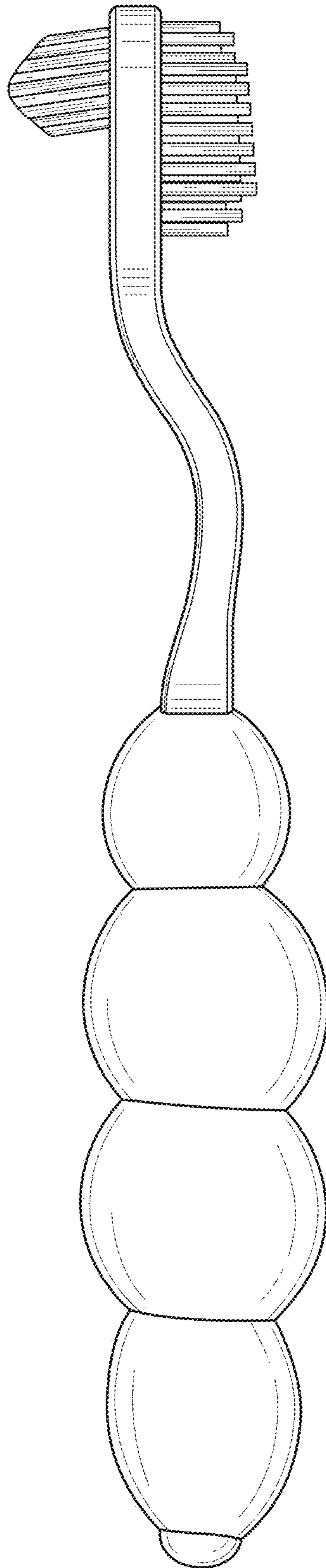


FIG. 5

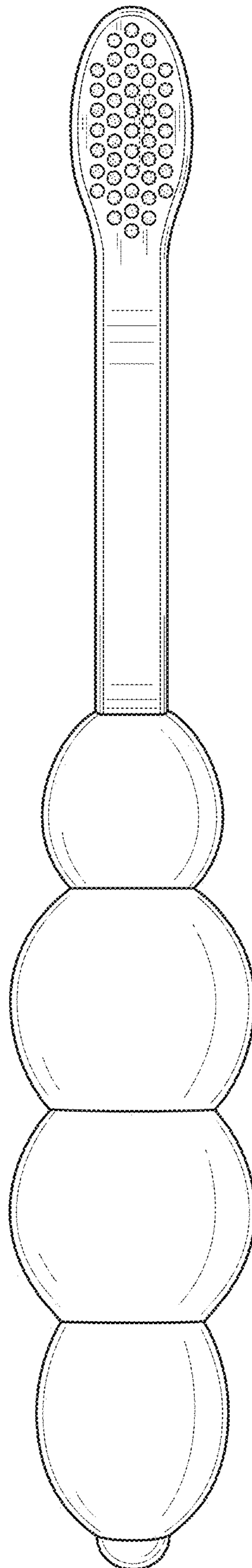


FIG. 6



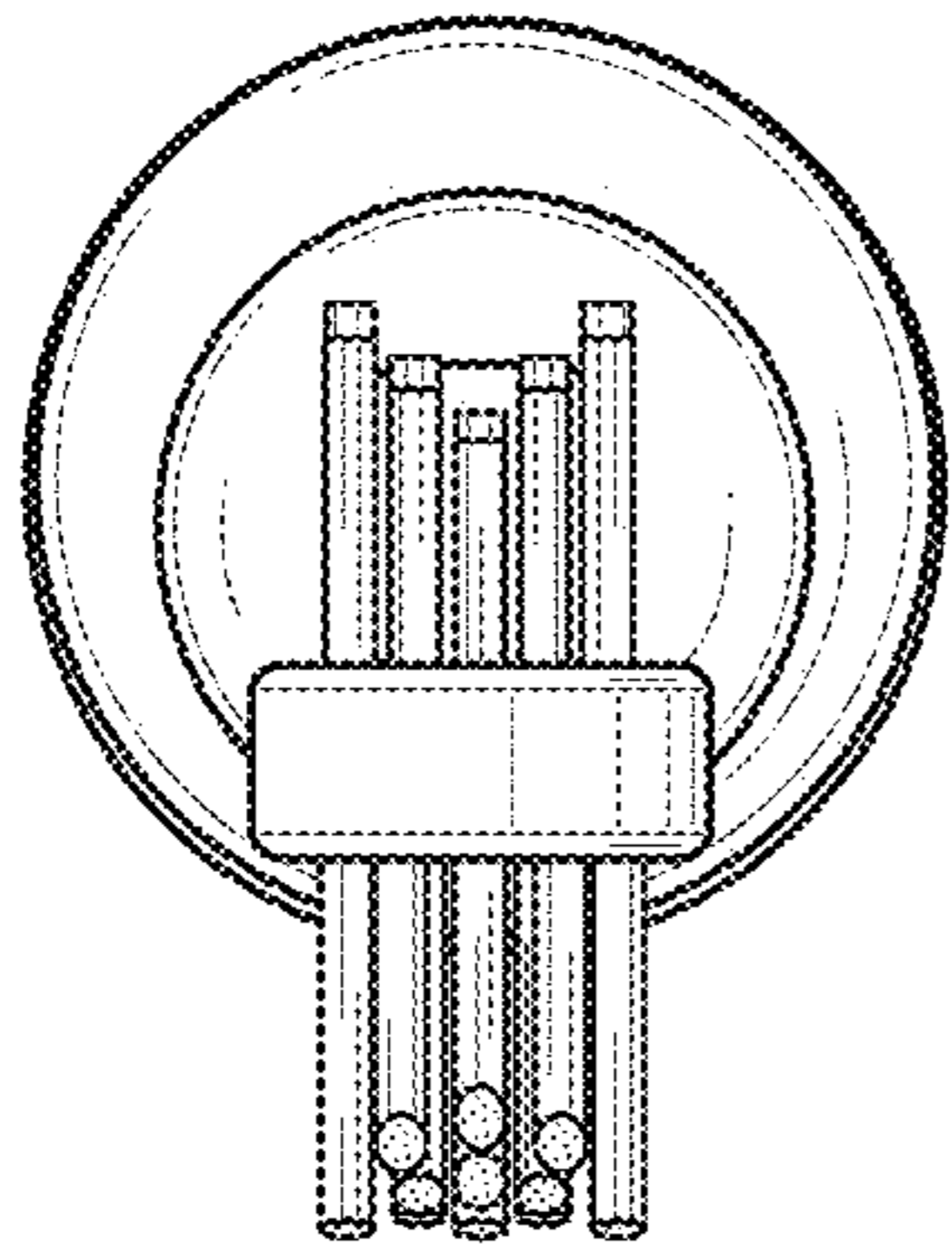


FIG. 7

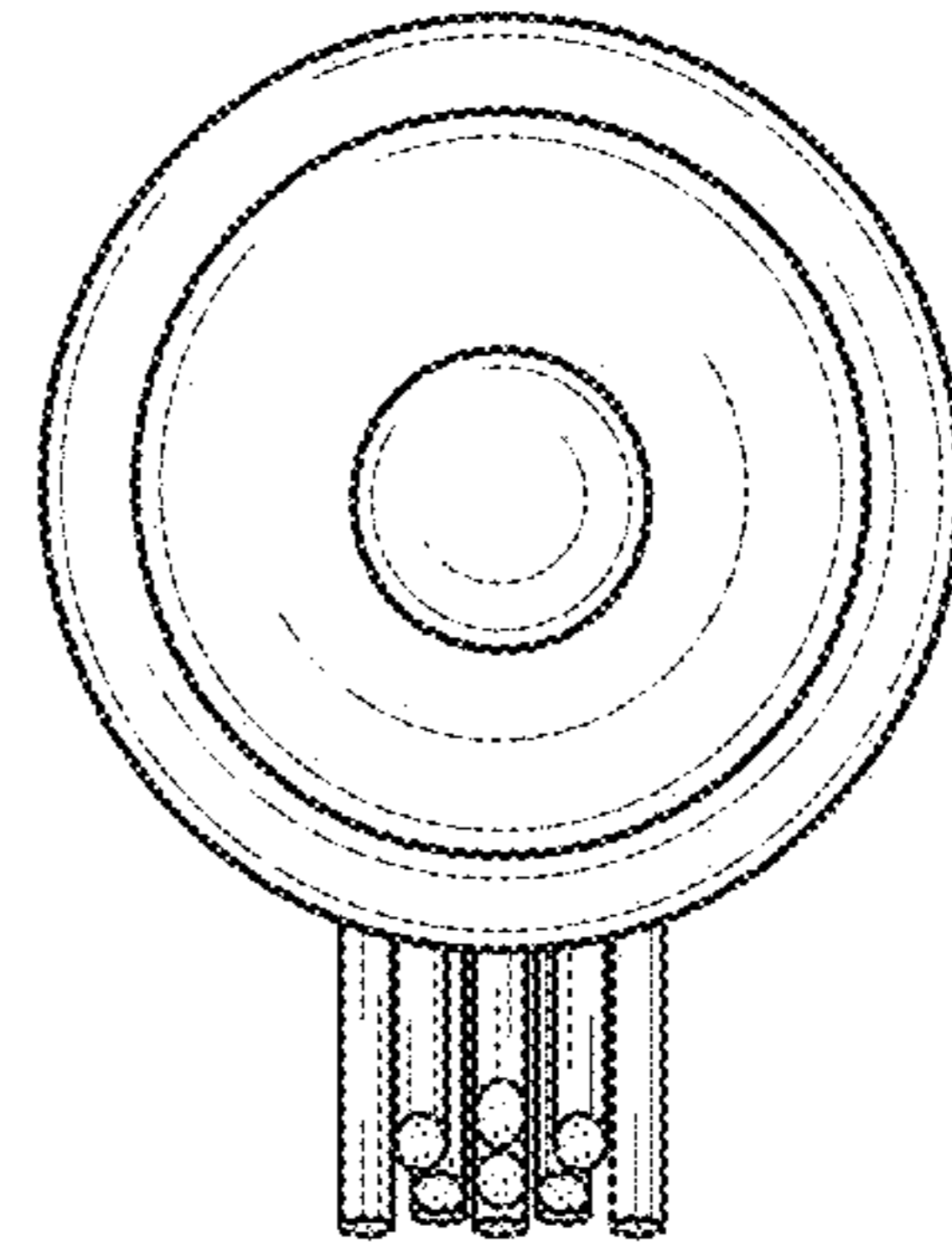


FIG. 8