



US00D936362S

(12) **United States Design Patent**
Luo et al.

(10) **Patent No.:** **US D936,362 S**

(45) **Date of Patent:** **** Nov. 23, 2021**

(54) **STORAGE BOX**

(71) Applicant: **Dewei Luo**, Shenzhen (CN)

(72) Inventors: **Dewei Luo**, Shenzhen (CN); **Yongpeng Tang**, Shenzhen (CN)

(73) Assignee: **Dewei Luo**, Shenzhen (CN)

(**) Term: **15 Years**

(21) Appl. No.: **29/747,126**

(22) Filed: **Aug. 20, 2020**

(30) **Foreign Application Priority Data**

Mar. 20, 2020 (CN) 202030096700.1

(51) **LOC (13) Cl.** **03-01**

(52) **U.S. Cl.**
USPC **D3/302**

(58) **Field of Classification Search**
USPC D3/207, 212, 215, 218, 219, 266, 273,
D3/275, 294, 299, 300, 302, 313
CPC H04R 2460/17
See application file for complete search history.

(56) **References Cited**

U.S. PATENT DOCUMENTS

D49,217 S * 6/1916 King D3/265
D259,596 S * 6/1981 Gray D3/205
D349,207 S * 8/1994 Wolff D6/536
D427,432 S * 7/2000 Au D3/263
D462,512 S * 9/2002 Wolf D3/205
D482,871 S * 12/2003 Fonfeder D3/321

D519,983 S * 5/2006 Tompkins D14/189
D572,654 S * 7/2008 Kang D13/107
D586,557 S * 2/2009 Jalet D3/294
D612,595 S * 3/2010 McCurdy D3/218
D708,339 S * 7/2014 McGarry D24/177
D736,263 S * 8/2015 Schultz D15/5
D841,580 S * 2/2019 Bao D13/108
D873,217 S * 1/2020 Zhang D13/108

* cited by examiner

Primary Examiner — Kevin K Rudzinski

Assistant Examiner — Amber J Rabie

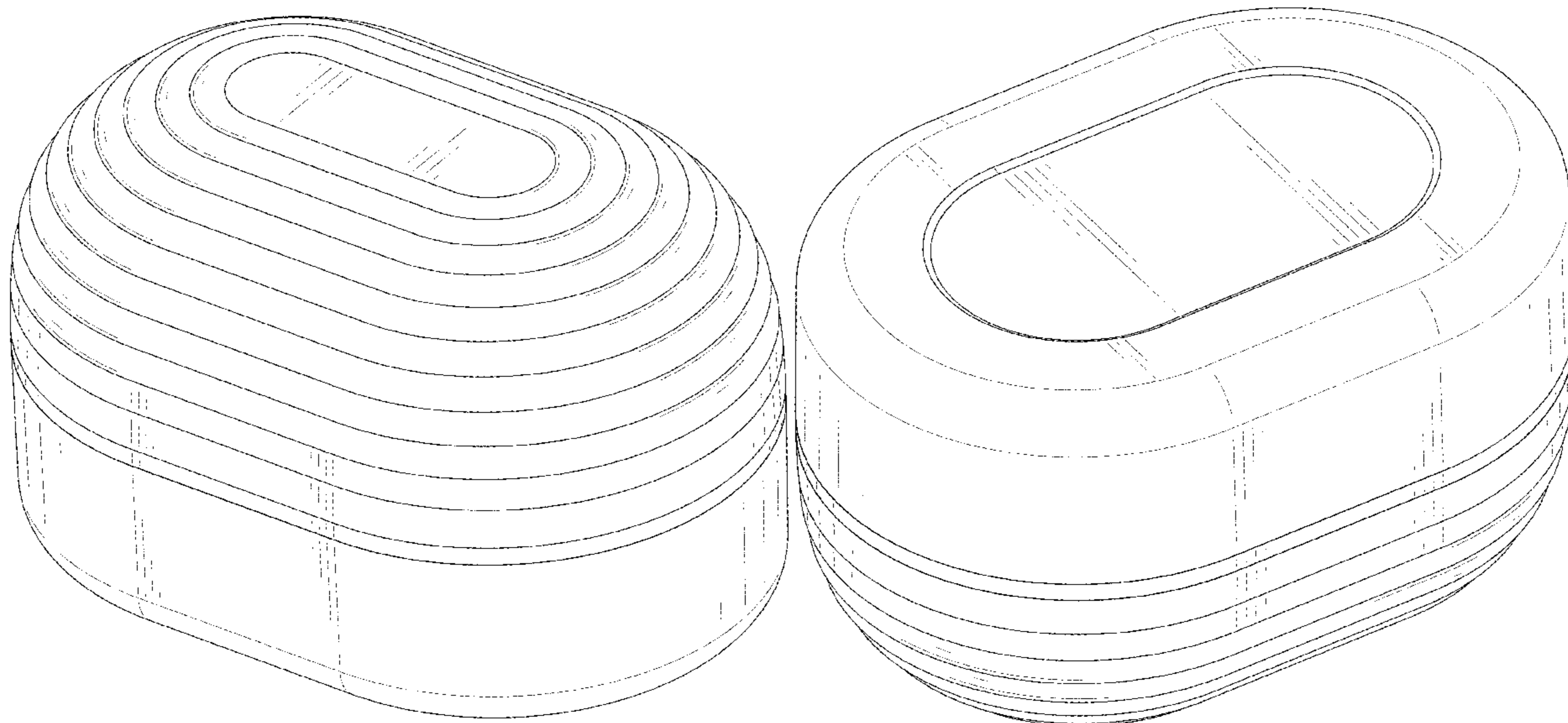
(57) **CLAIM**

The ornamental design for a storage box, as shown and described.

DESCRIPTION

FIG. 1 is a perspective view of a storage box showing my new design;
FIG. 2 is another perspective view thereof;
FIG. 3 is a front elevational view thereof;
FIG. 4 is a rear elevational view thereof;
FIG. 5 is a left side elevational view thereof;
FIG. 6 is a right side elevational view thereof;
FIG. 7 is a top plan view thereof;
FIG. 8 is a bottom plan view thereof; and,
FIG. 9 is a perspective view of the storage box with the cover separated.
The broken lines in the drawings are for the purpose of illustrating portions of the storage box that form no part of the claimed design.

1 Claim, 9 Drawing Sheets



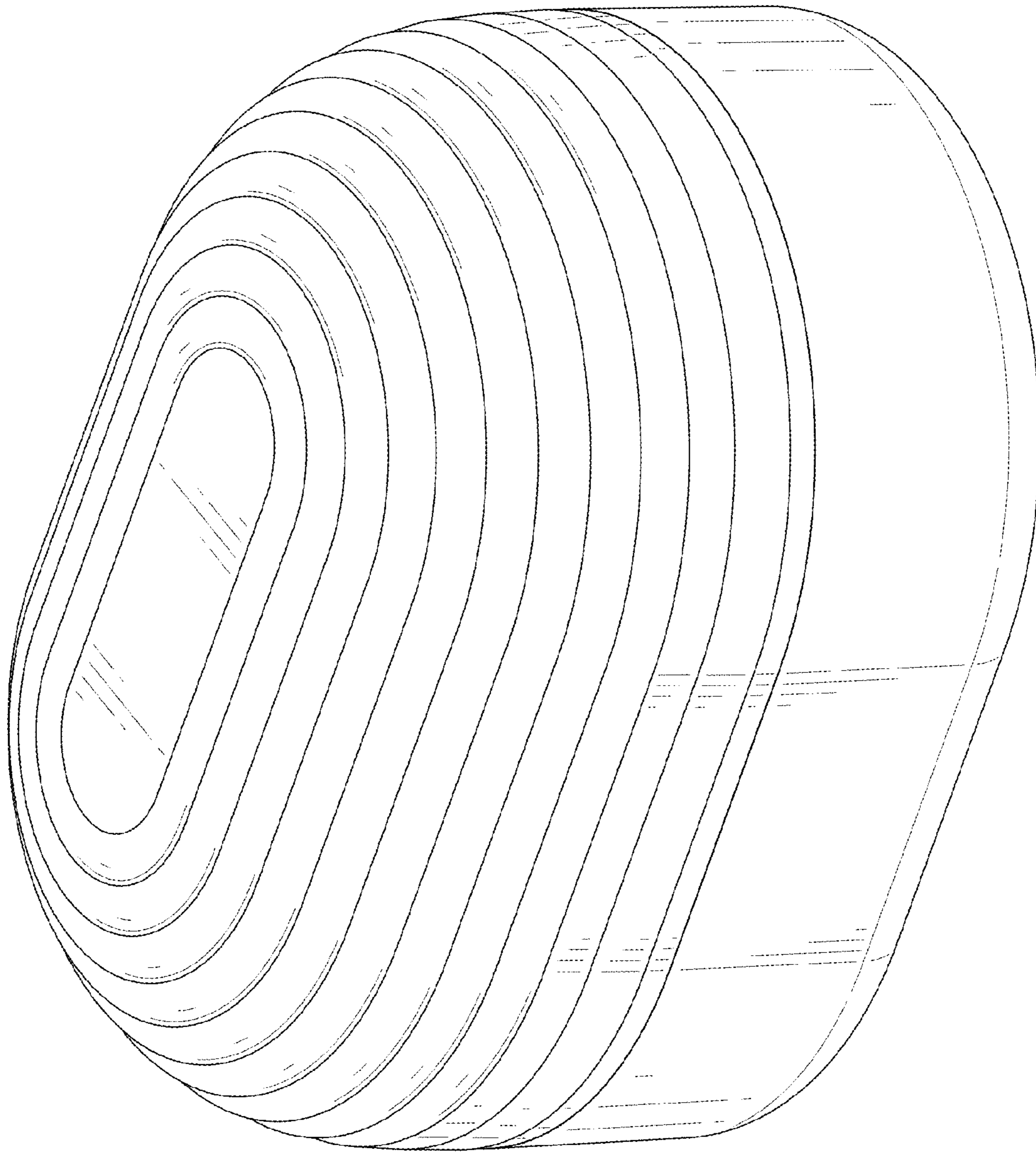


FIG. 1

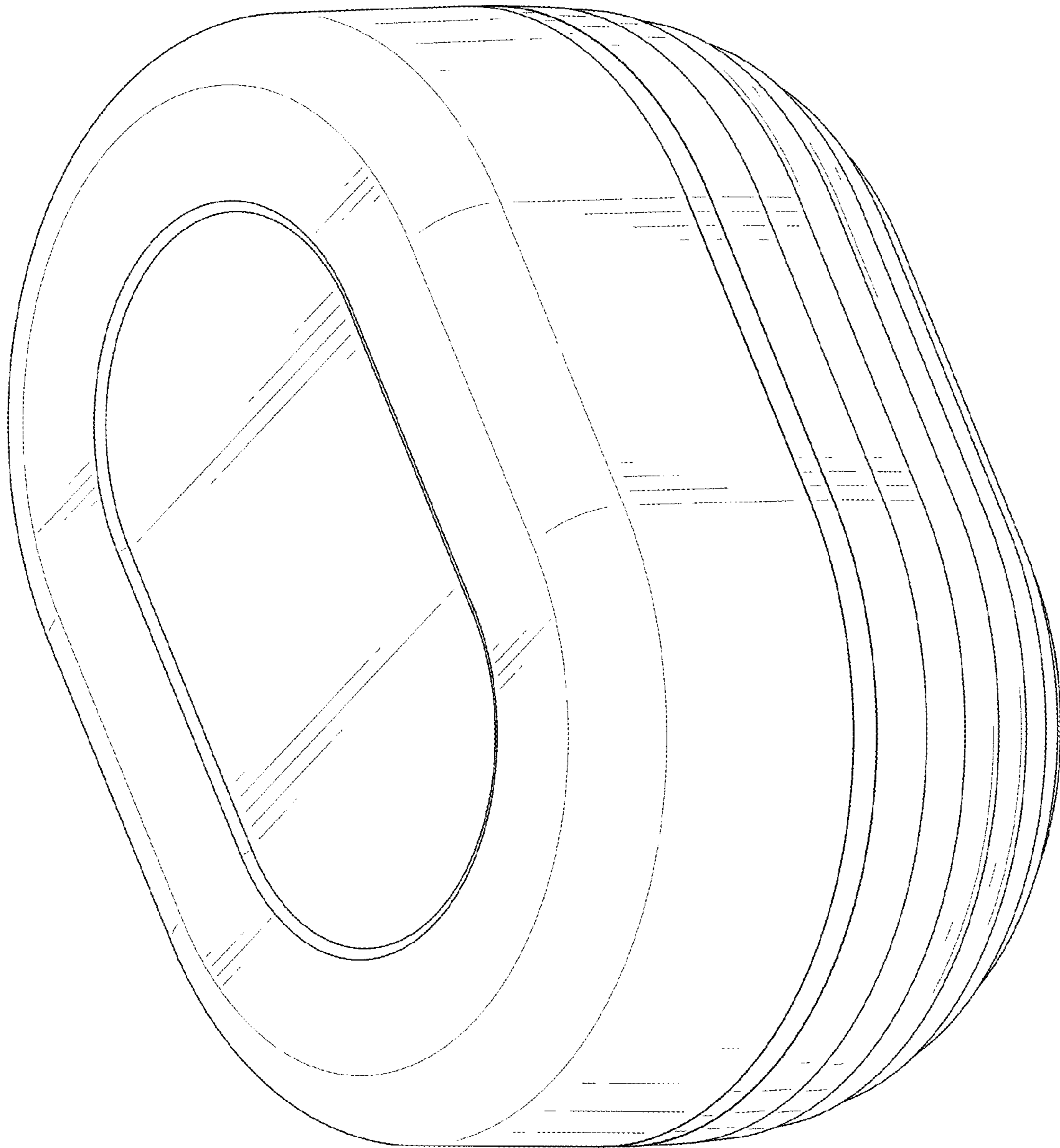


FIG. 2

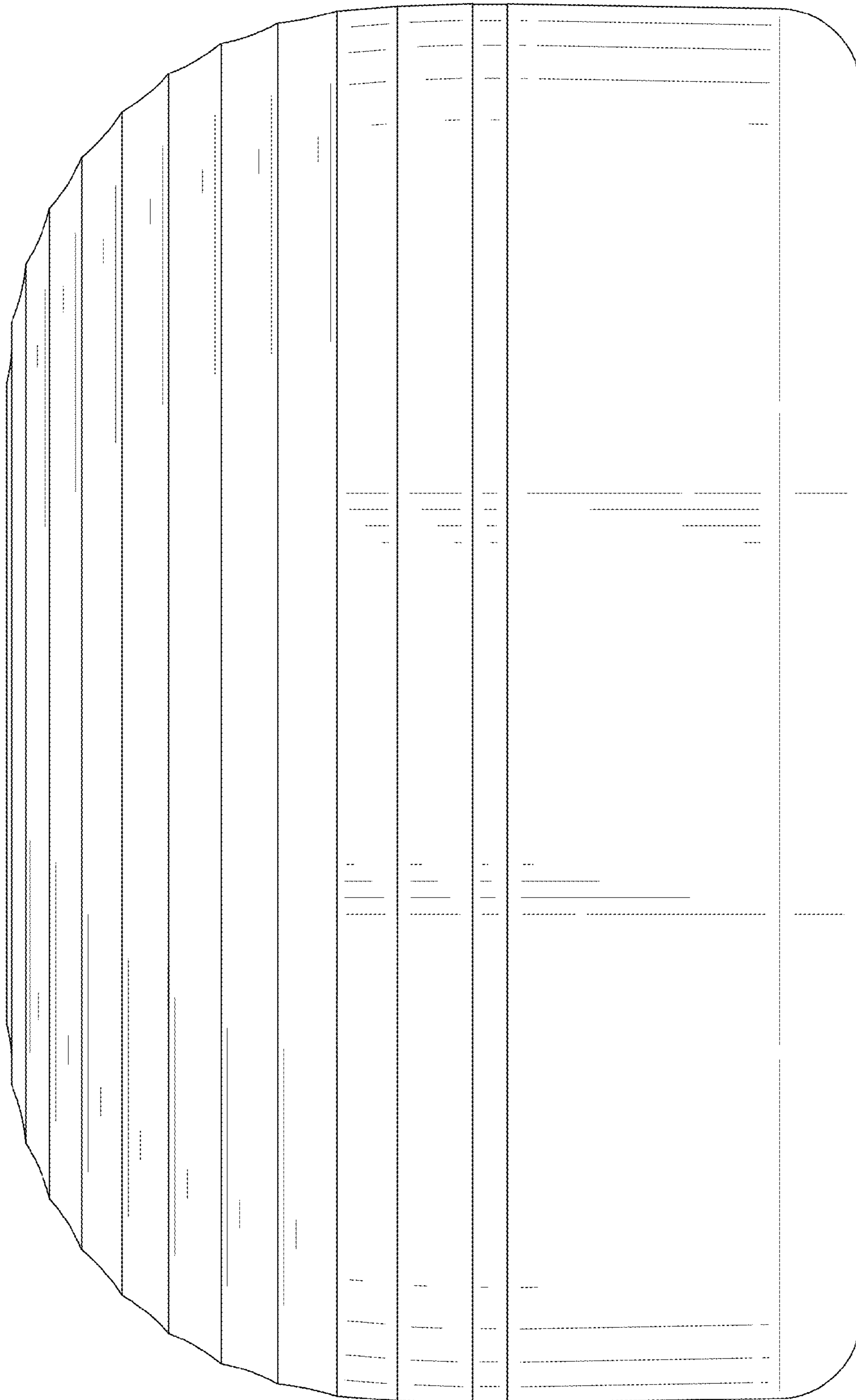


FIG. 3

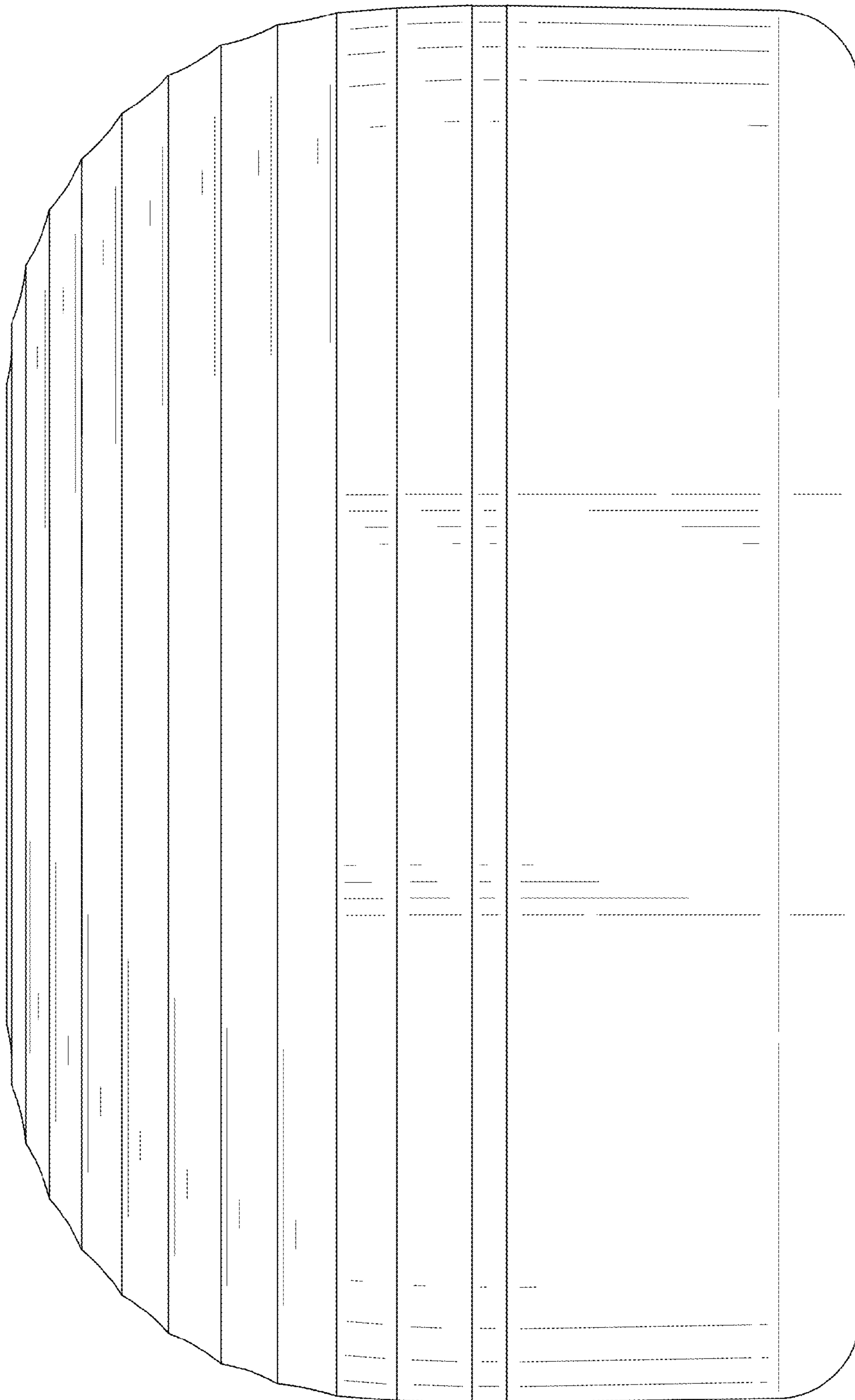


FIG. 4

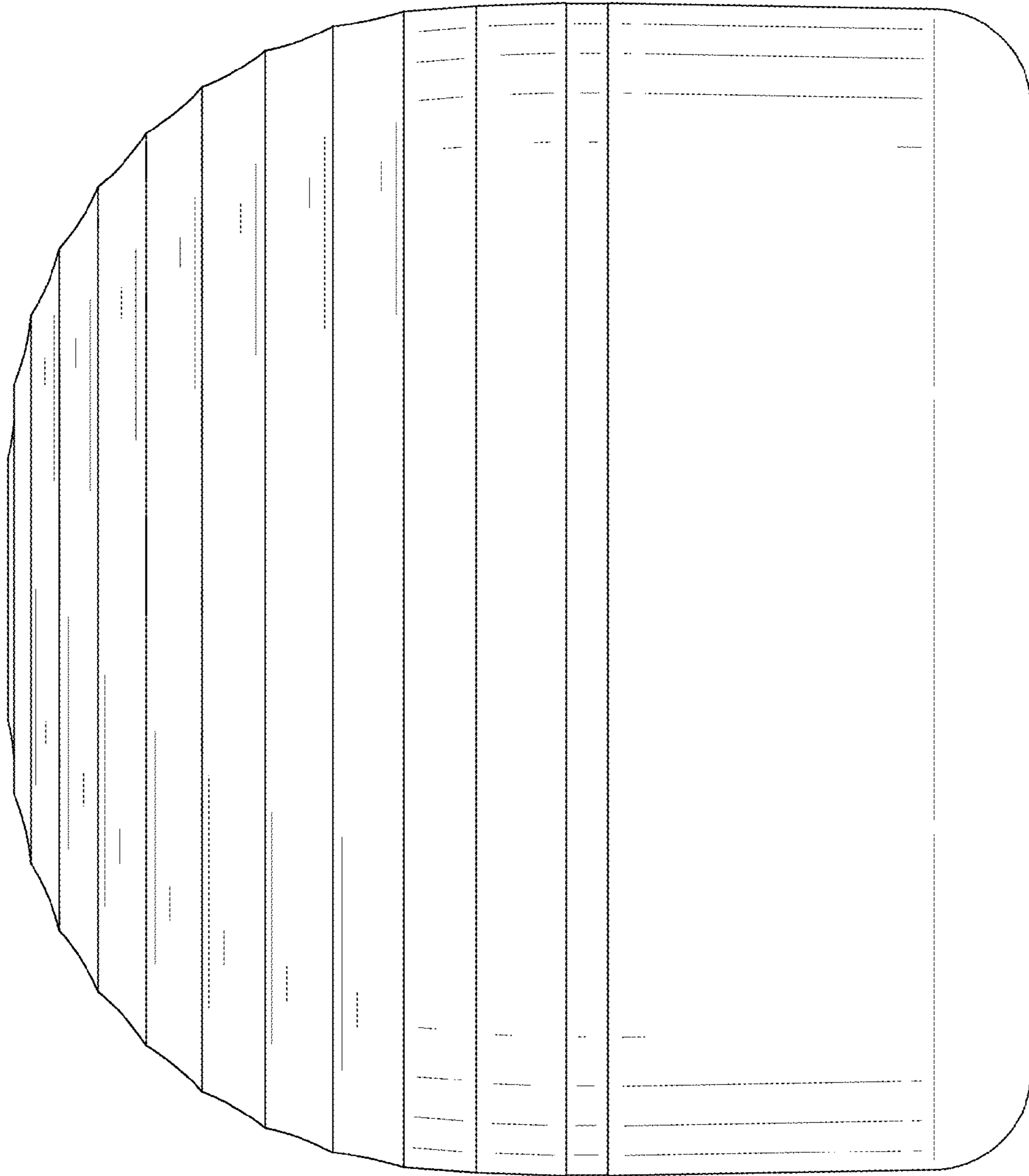


FIG. 5

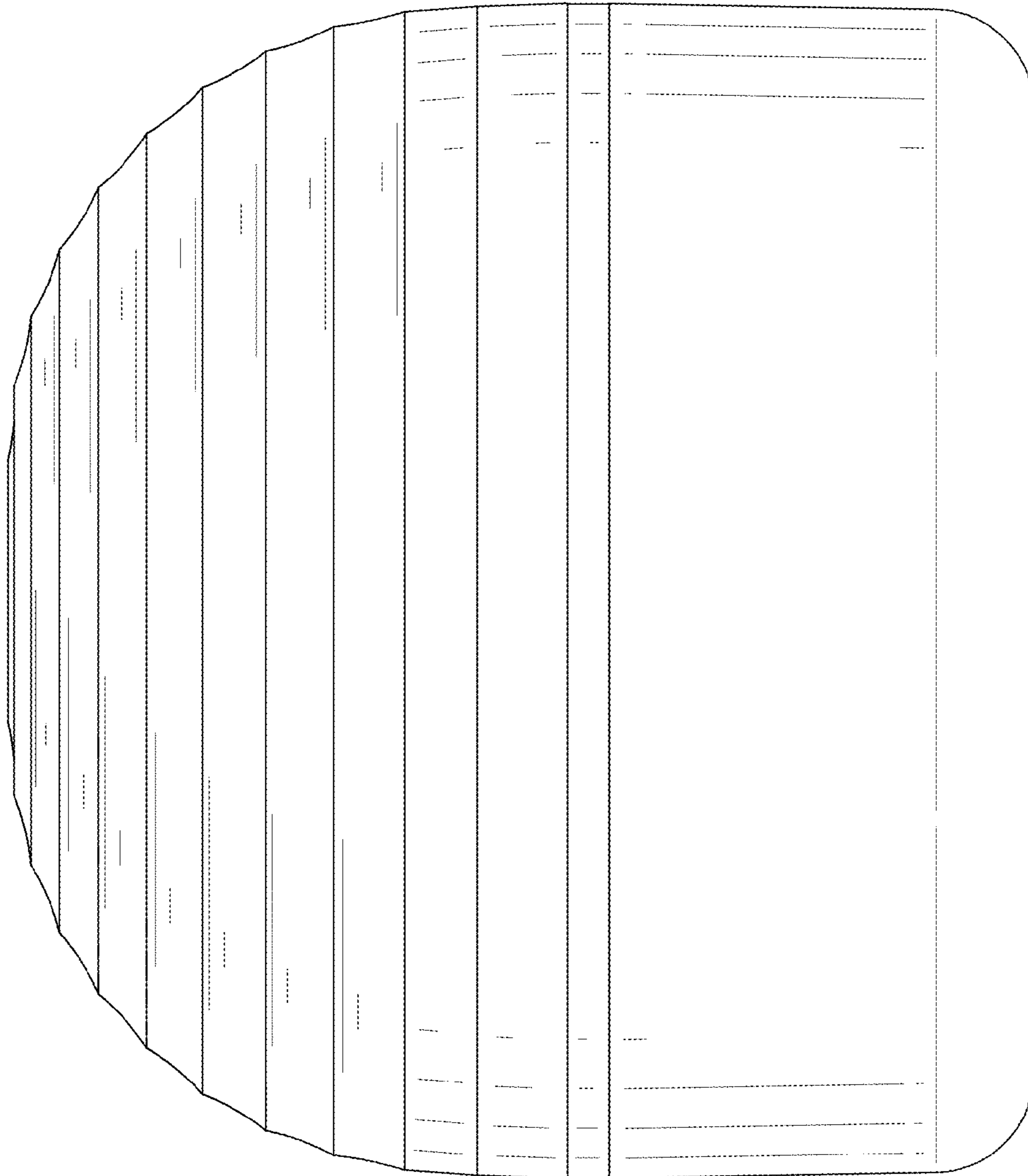


FIG. 6

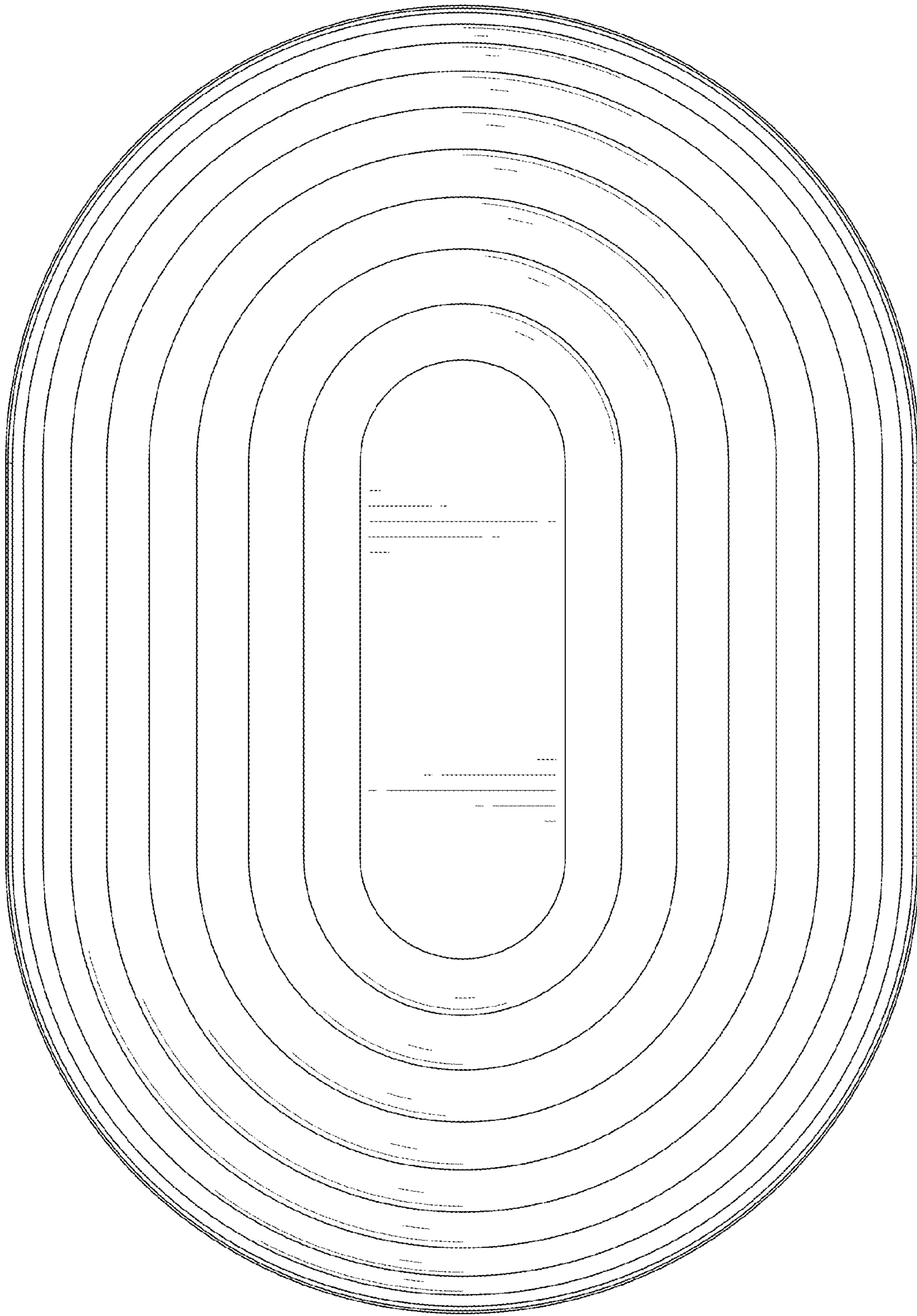


FIG. 7

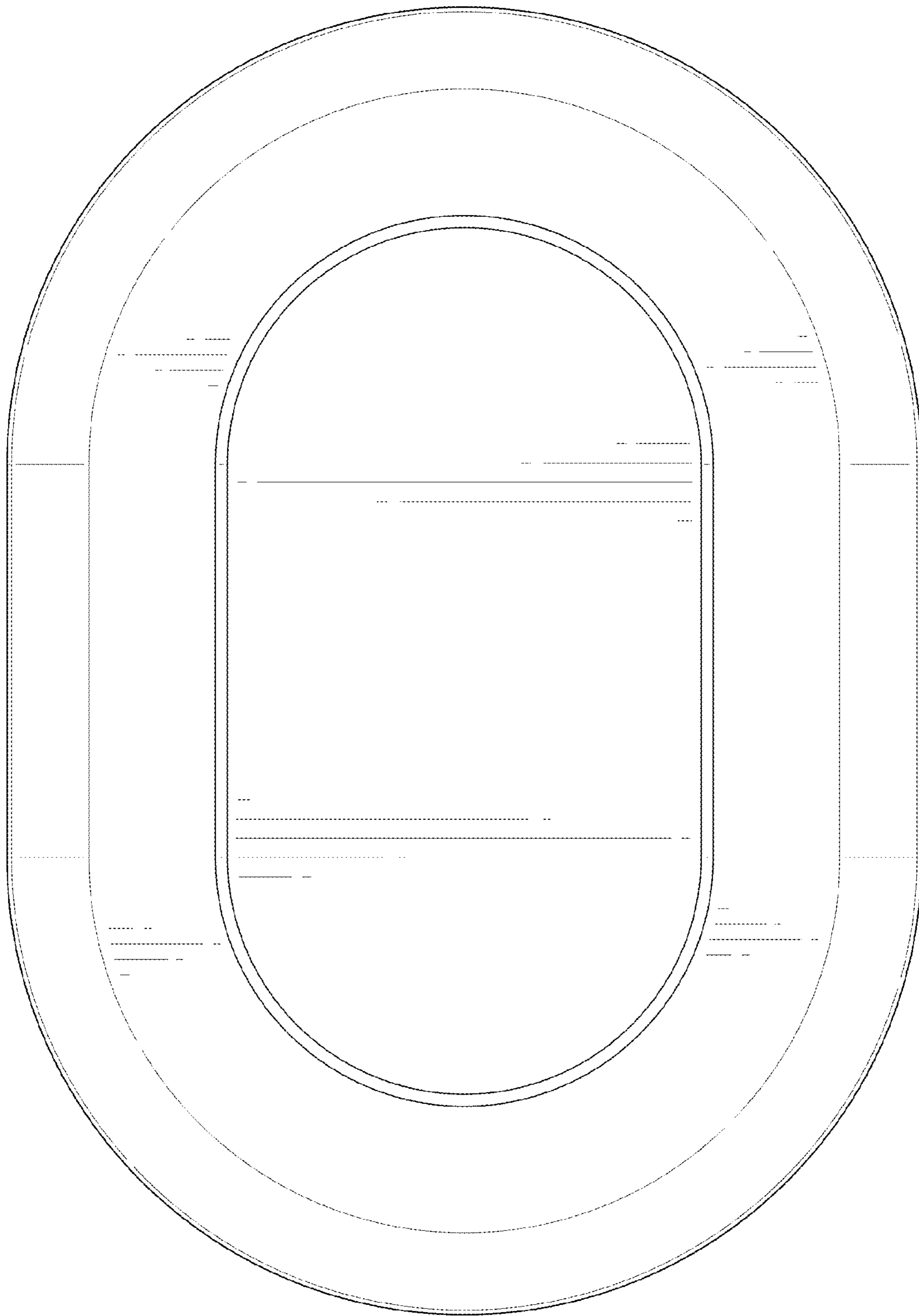


FIG. 8

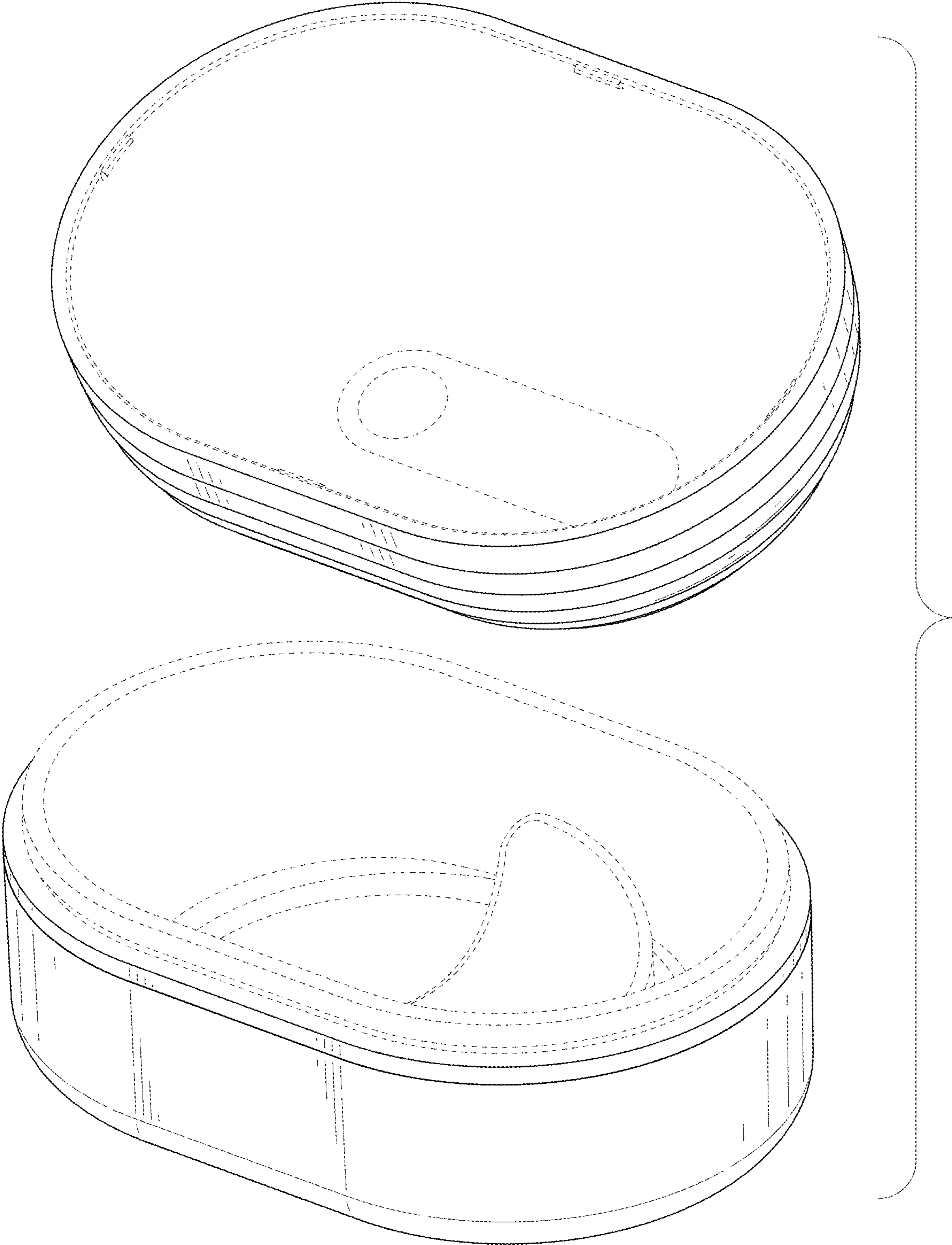


FIG. 9