



US00D936361S

(12) **United States Design Patent**
Chun

(10) **Patent No.:** **US D936,361 S**

(45) **Date of Patent:** **** Nov. 23, 2021**

(54) **COMBINATION ACCESSORY CASE AND STAND**

(71) Applicant: **James Chun**, Vista, CA (US)

(72) Inventor: **James Chun**, Vista, CA (US)

(**) Term: **15 Years**

(21) Appl. No.: **29/713,642**

(22) Filed: **Nov. 18, 2019**

(51) **LOC (13) Cl.** **03-01**

(52) **U.S. Cl.**

USPC **D3/294**; D14/253; D14/251; D14/224

(58) **Field of Classification Search**

USPC D14/224, 250, 251, 253; D3/218, 294, D3/302; D13/108

CPC A45C 11/04; A45C 11/16; A45C 11/005; A45C 2011/001-003; H02J 50/00; H02J 50/10; H02J 50/12; H02J 50/40; H02J 50/50; H02J 50/80; H02J 50/402

See application file for complete search history.

(56) **References Cited**

U.S. PATENT DOCUMENTS

D691,372 S	*	10/2013	Chun	D3/294
D699,182 S	*	2/2014	Chun	D13/108
D779,493 S	*	2/2017	Eliyahu	D14/434
D835,078 S	*	12/2018	Yun	D14/224
D893,185 S	*	8/2020	Liu	D3/294
D895,285 S	*	9/2020	Hutchison	D3/294
D907,363 S	*	1/2021	Distefano	D3/294
D924,565 S	*	7/2021	Gould	D3/294
D927,417 S	*	8/2021	Sretovic	D13/108
D930,361 S	*	9/2021	Jacobs	D3/294

* cited by examiner

Primary Examiner — Keli L Hill

(74) *Attorney, Agent, or Firm* — Dean Craine; Marisa Whitaker

(57) **CLAIM**

The ornamental design for a combination accessory case and stand, as shown and described.

DESCRIPTION

FIG. 1 is a front perspective view of a combination accessory case and stand, showing my new design with the kickstand and front shelf both unfolded and extended.

FIG. 2 a rear perspective view of a combination assessor case and stand shown in FIG. 1.

FIG. 3 is a right-side elevation view thereof.

FIG. 4 is a front elevation view thereof.

FIG. 5 is a rear elevation view of the invention thereof.

FIG. 6 is a front elevation view of the invention showing the front shelf in a closed position.

FIG. 7 is a rear elevation view of the invention shown in FIG. 6.

FIG. 8 is a top plan view thereof.

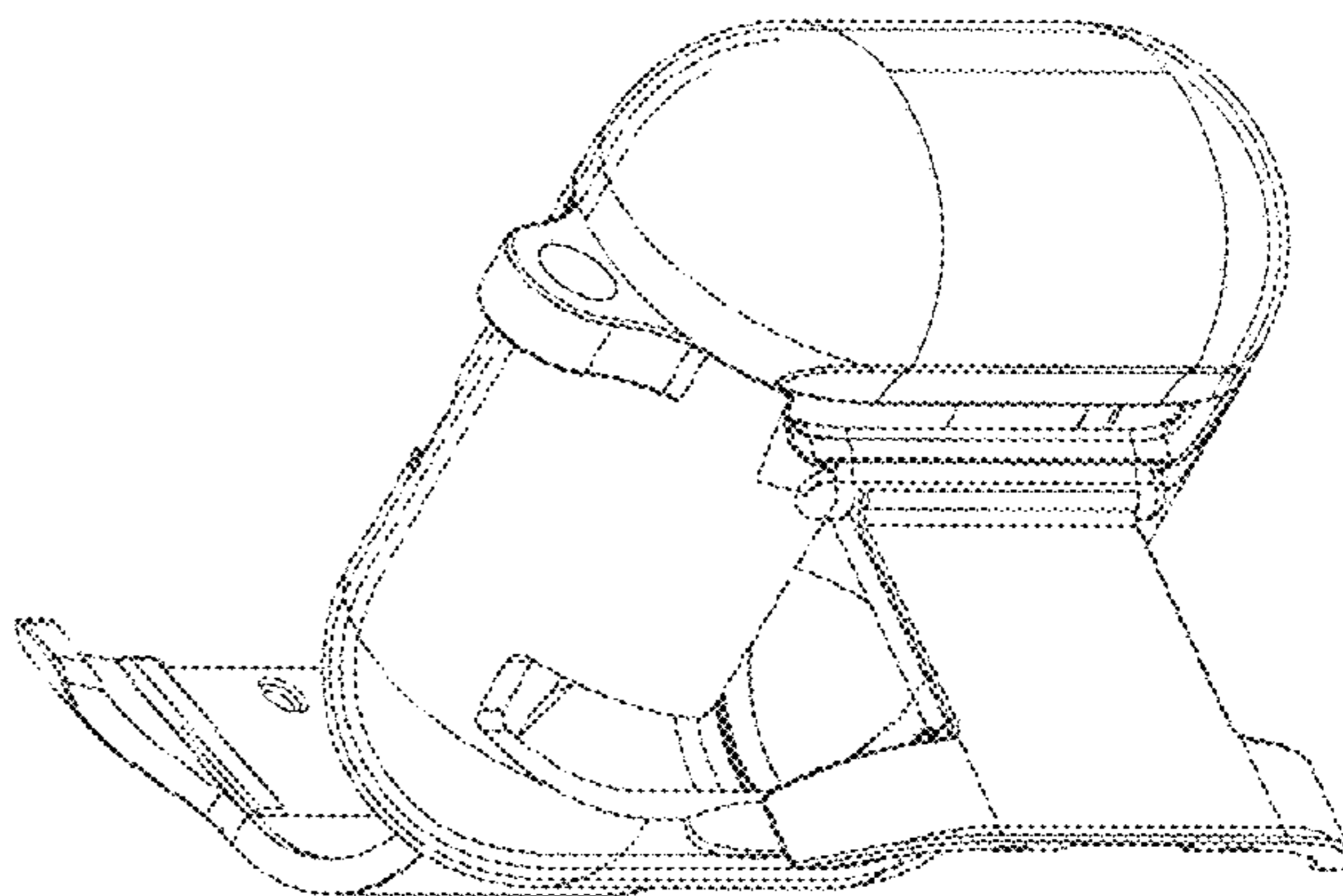
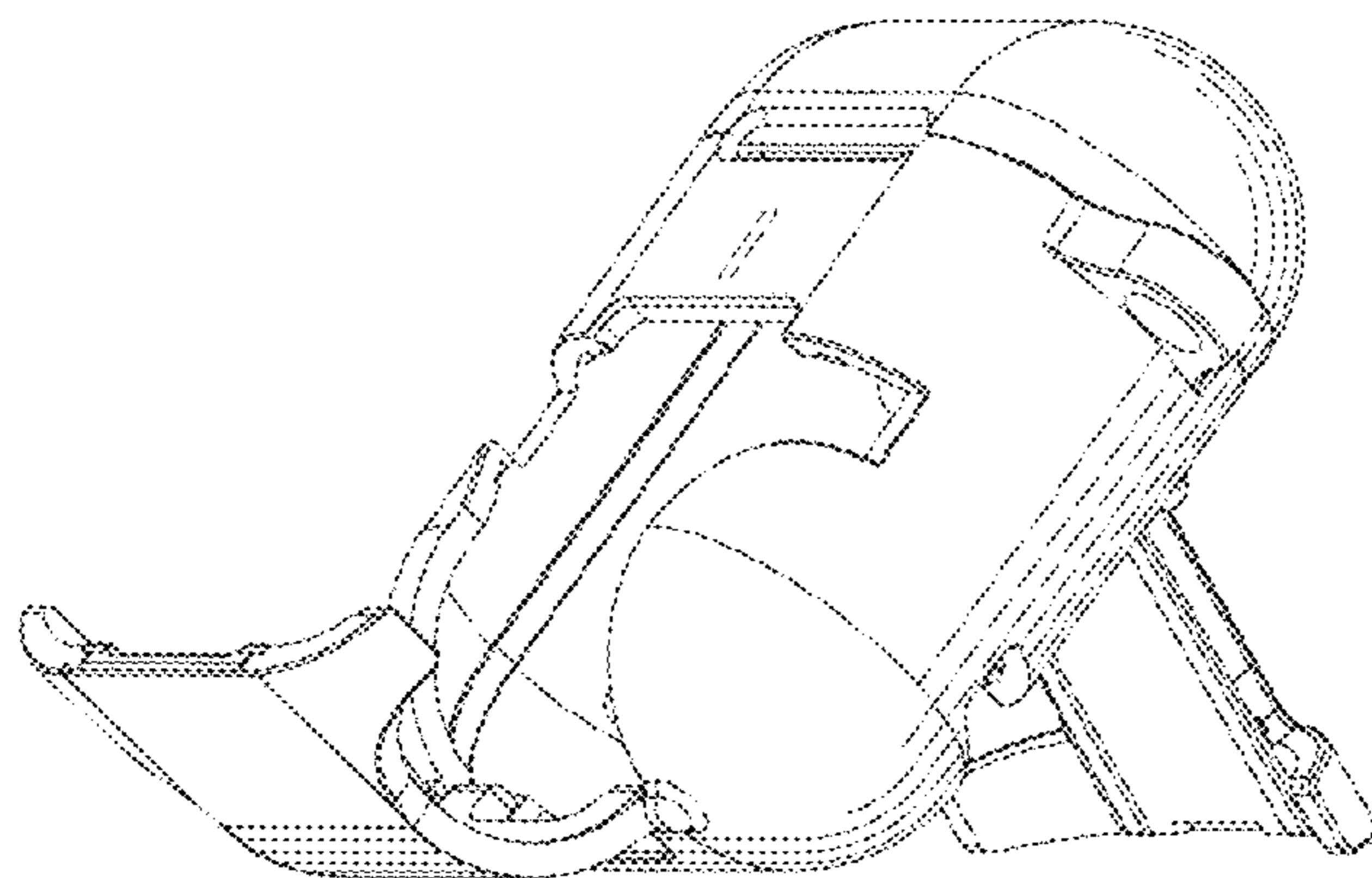
FIG. 9 is a bottom plan view thereof.

FIG. 10 is a left side elevation thereof; and,

FIG. 11 is a right side elevation view thereof.

The broken line showing of the device in FIG. 3 is included for the purpose of illustrating environment of the article while all other broken lines are included for the purpose of illustrating portions of the combination accessory case and stand; the broken lines form no part of the claimed design.

1 Claim, 5 Drawing Sheets



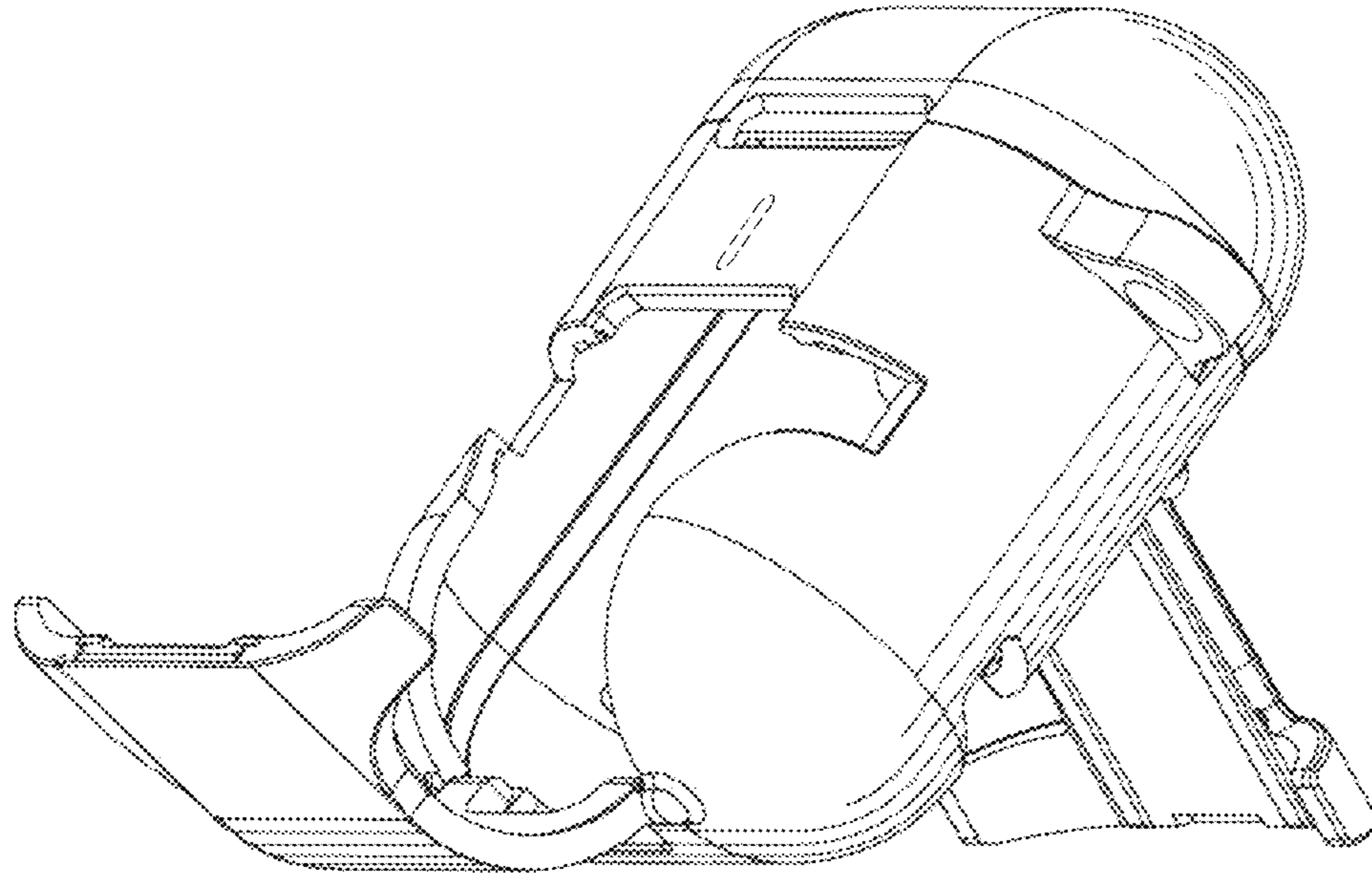


Fig. 1

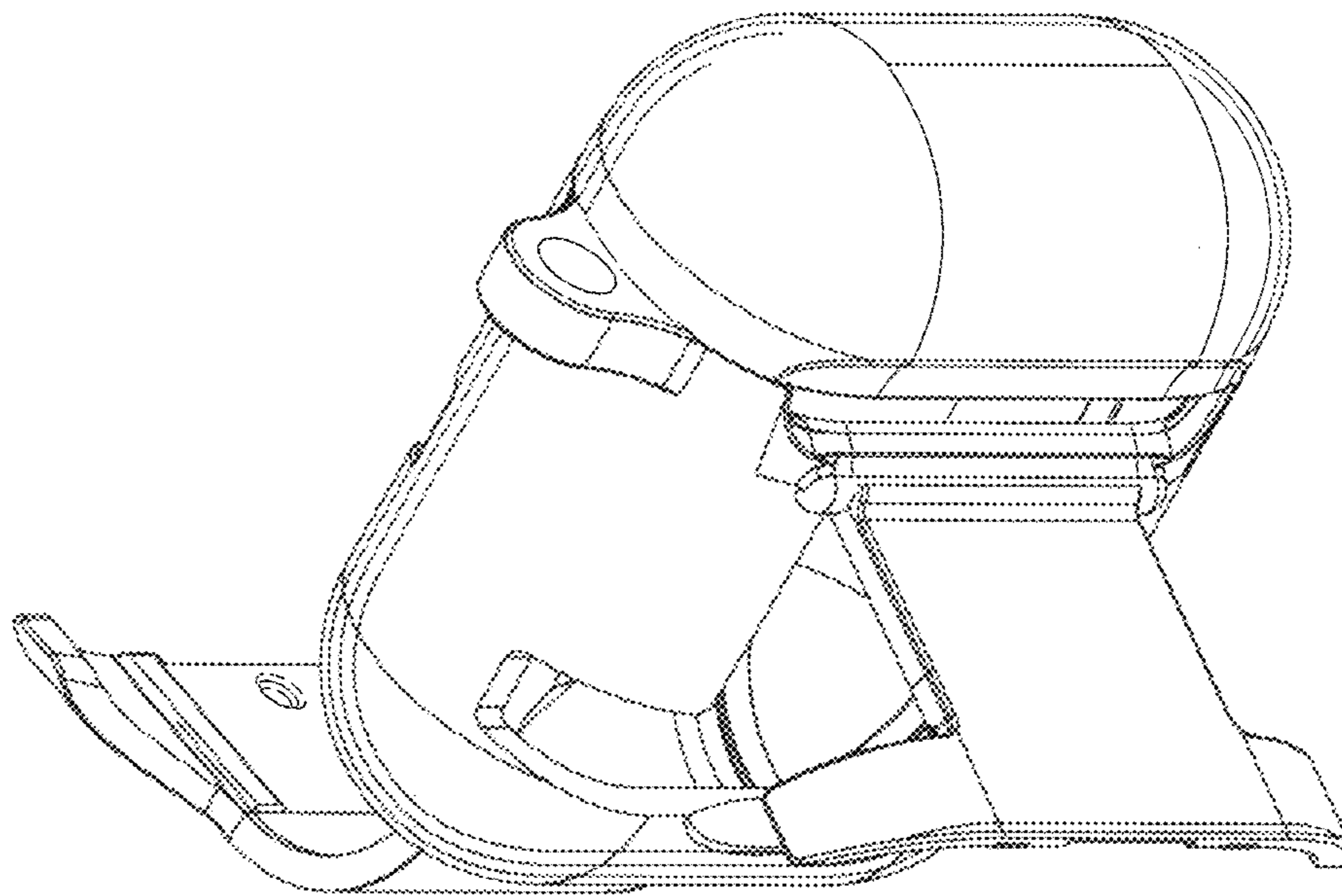


Fig. 2

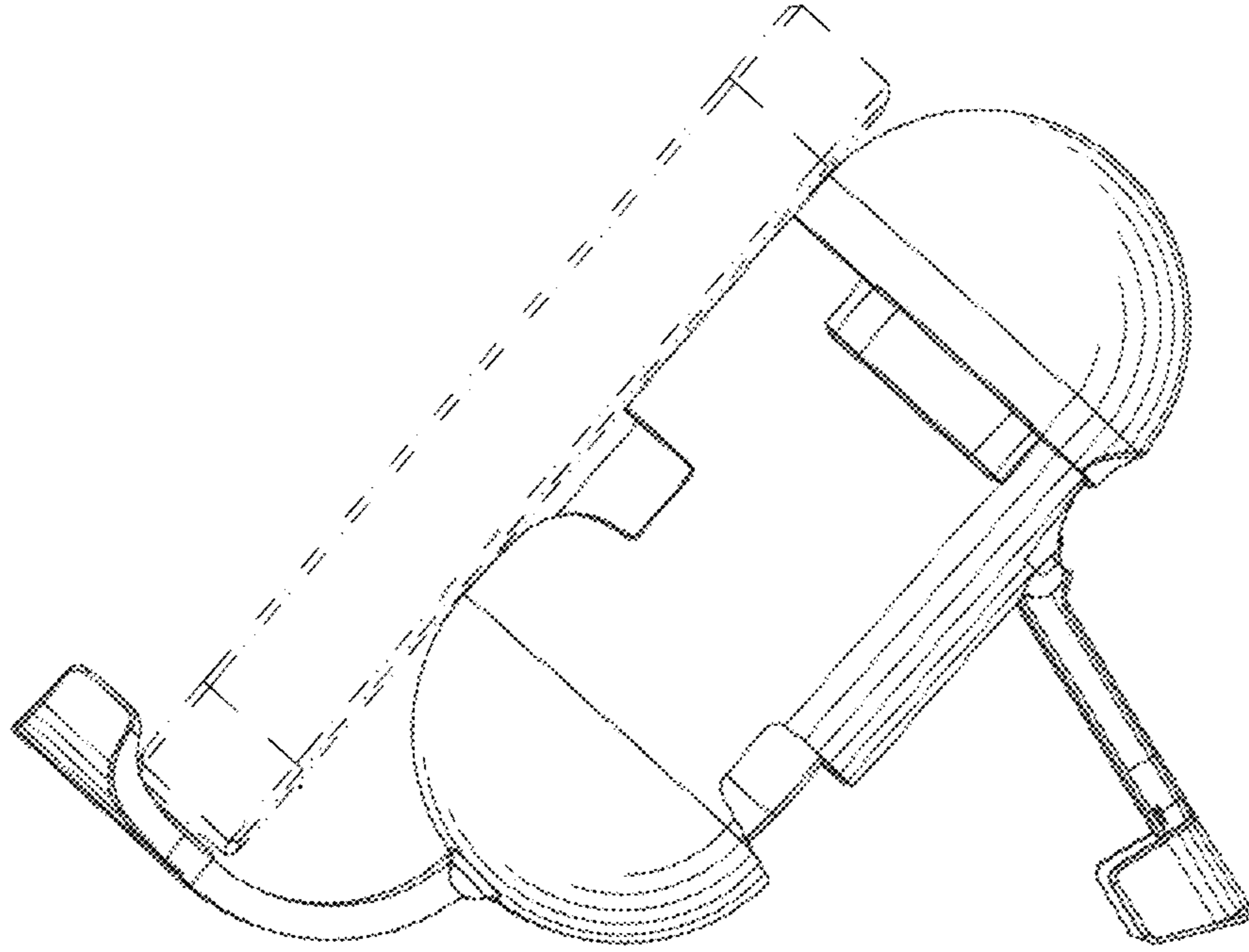


Fig. 3

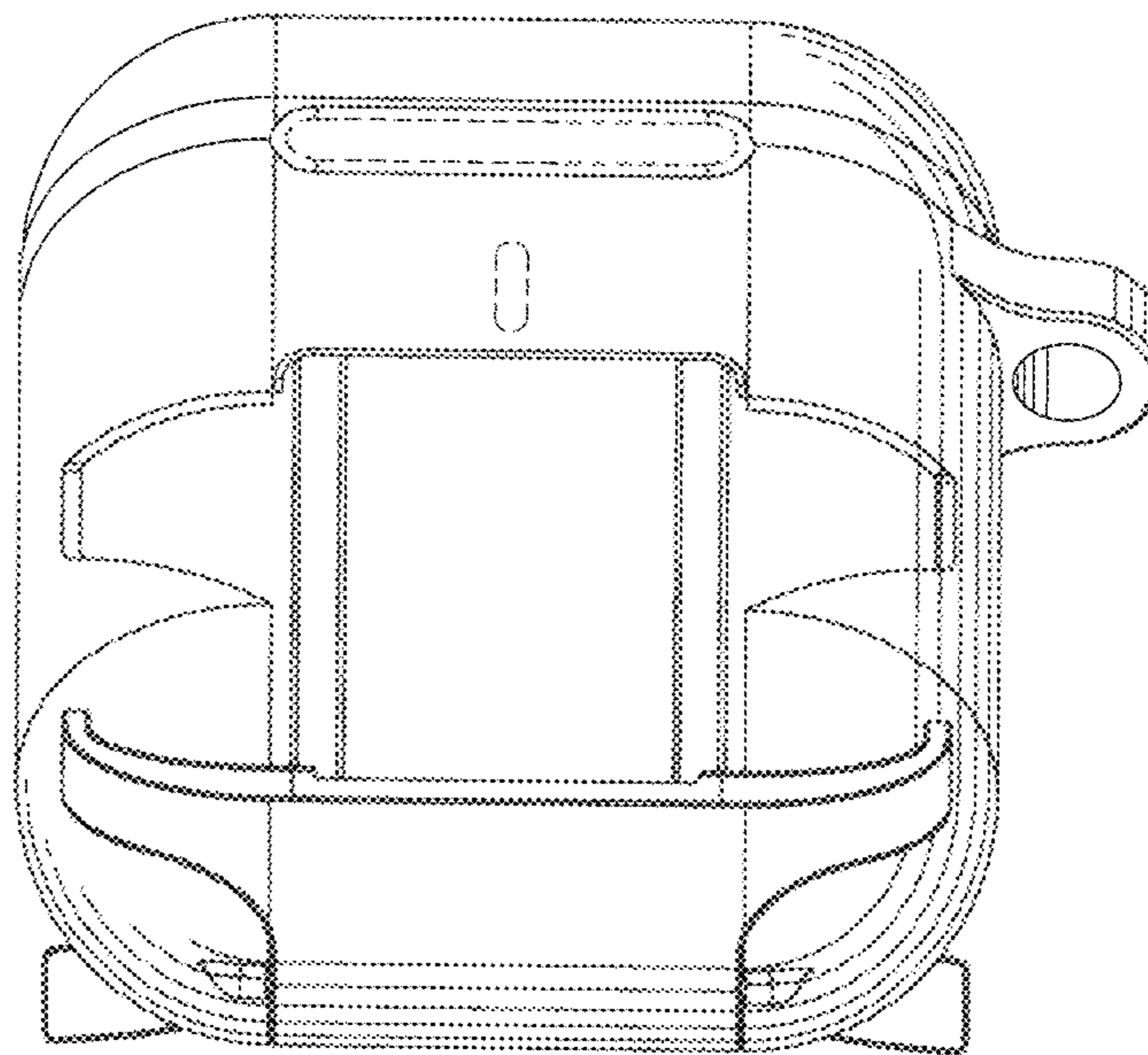


Fig. 4

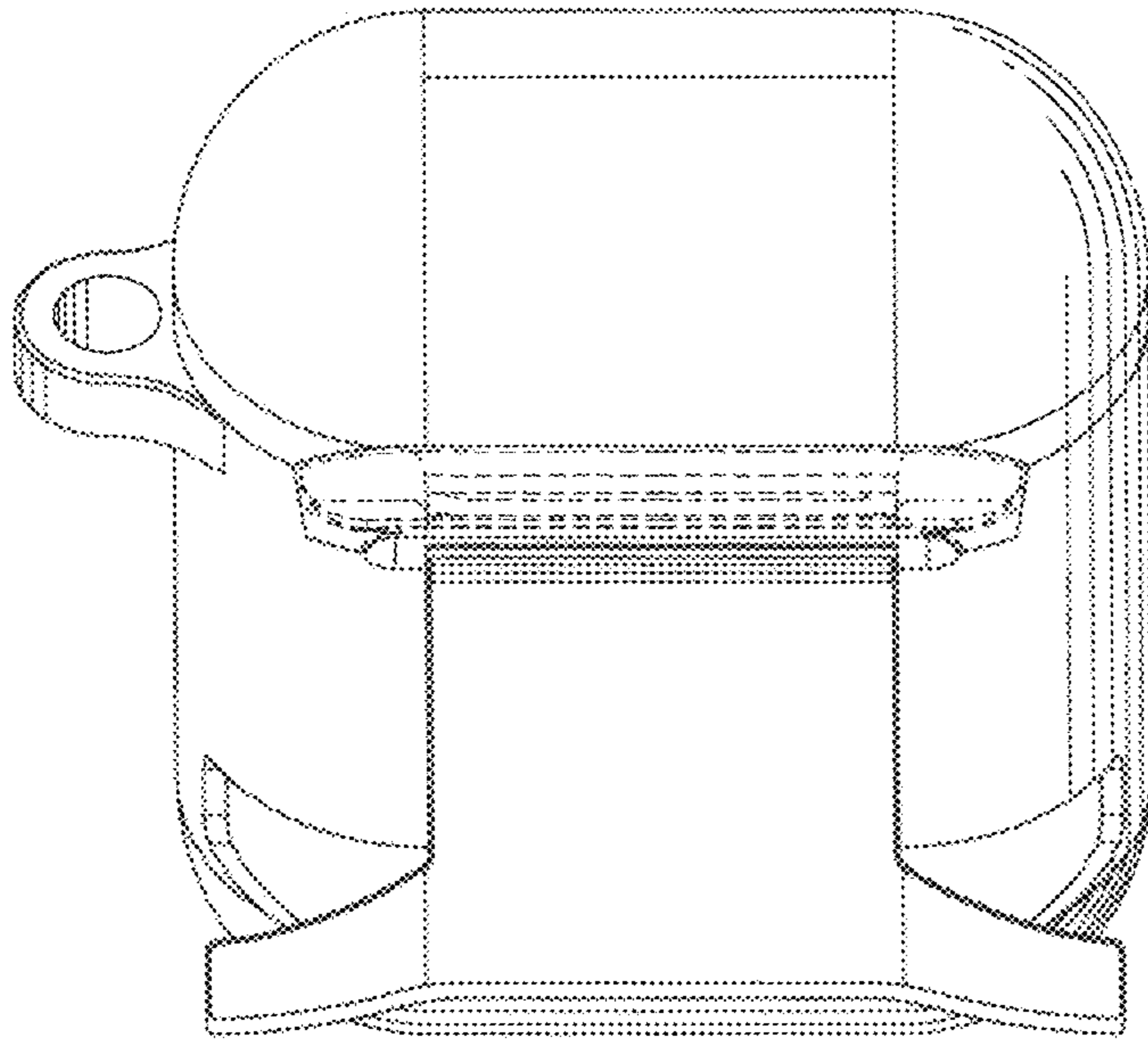


Fig. 5

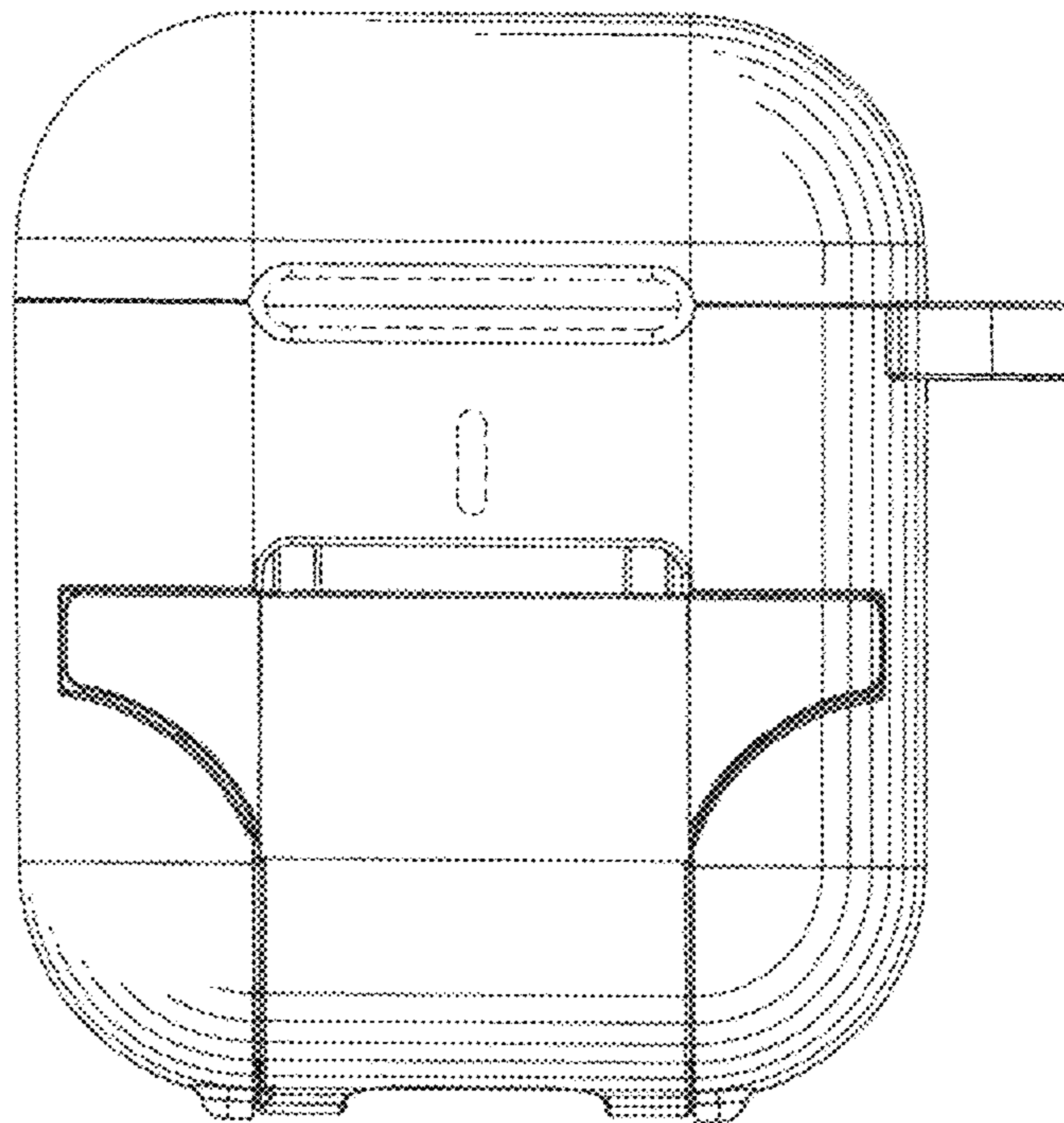


Fig. 6

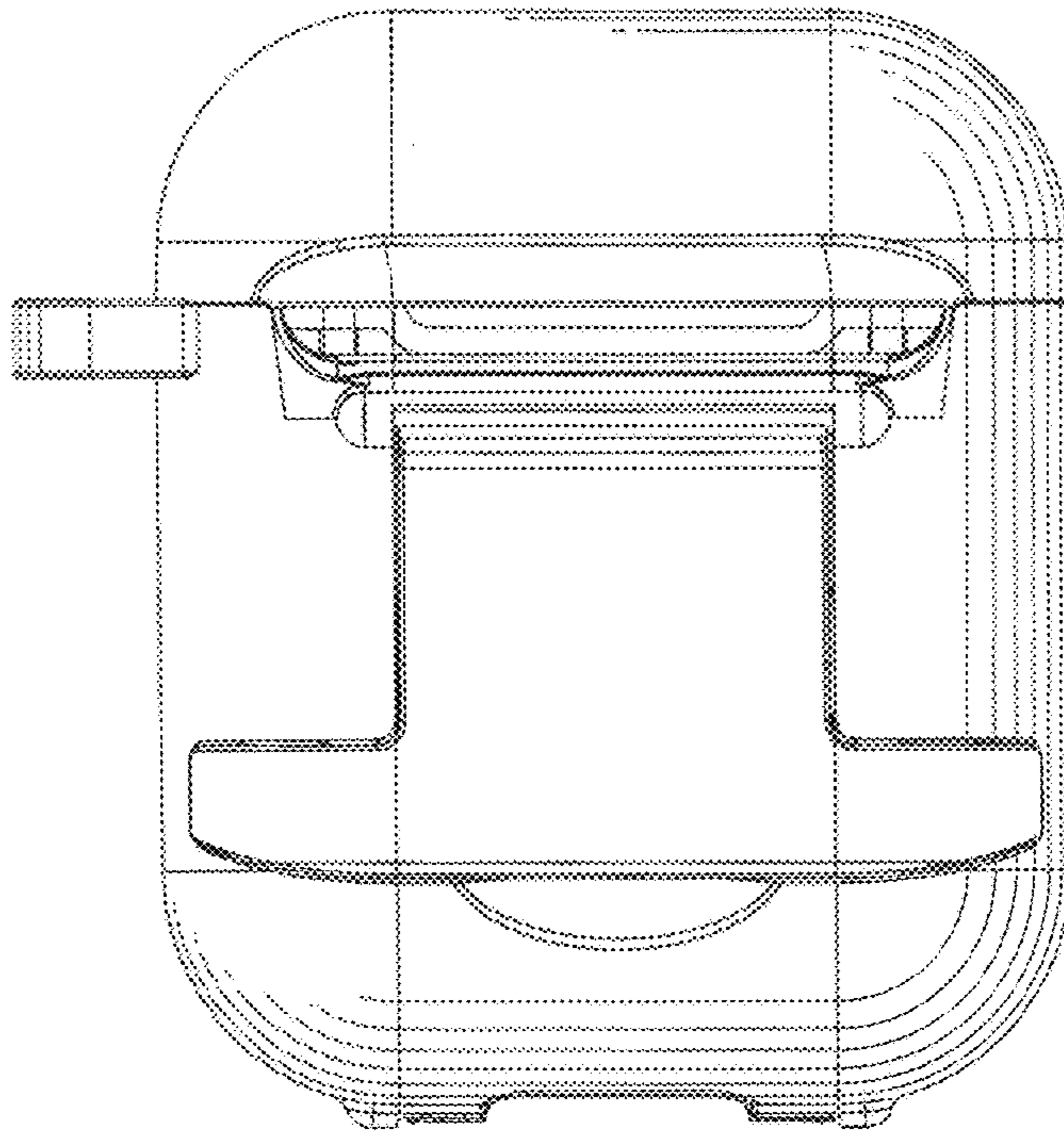


Fig. 7

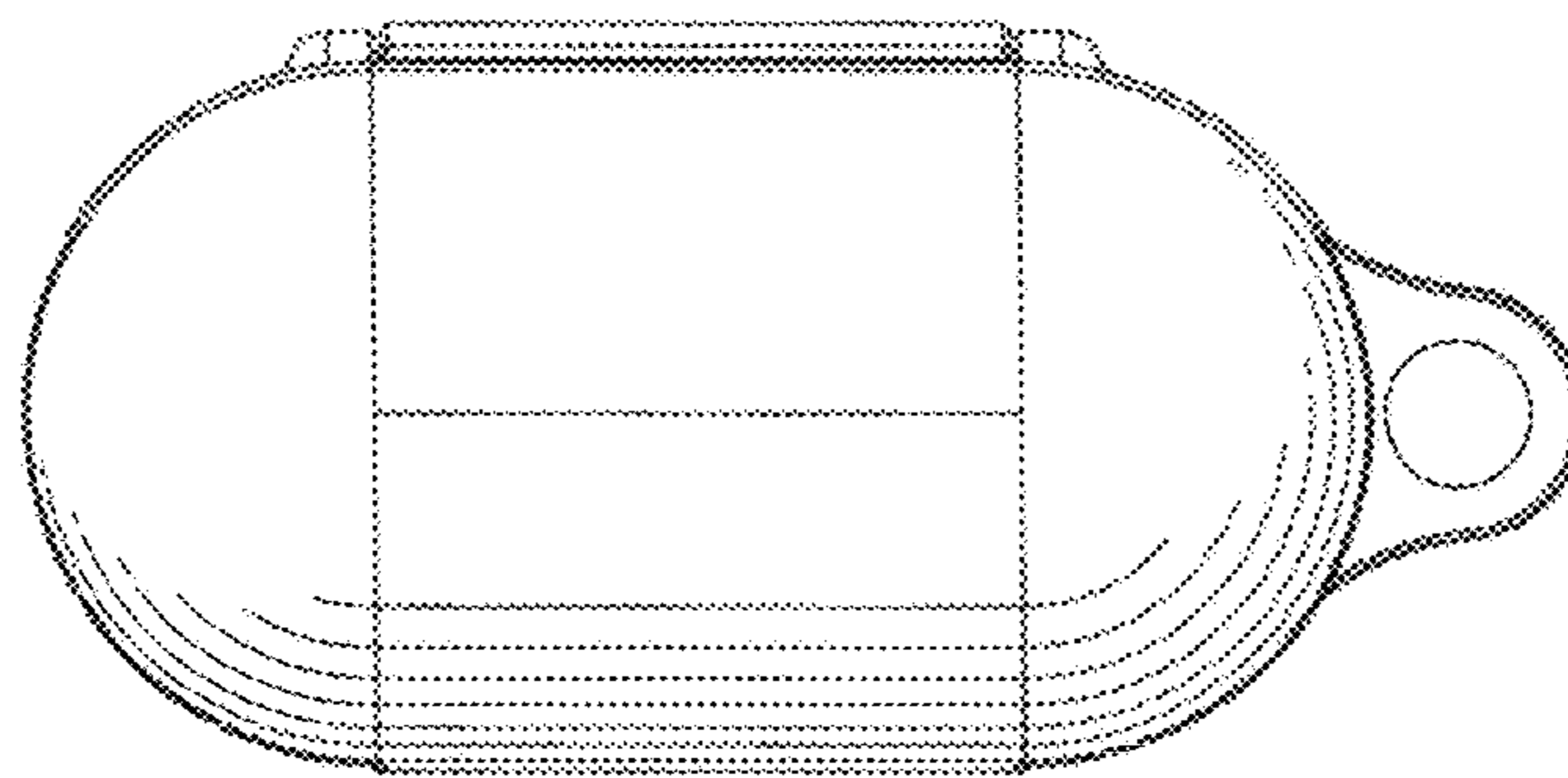


Fig. 8

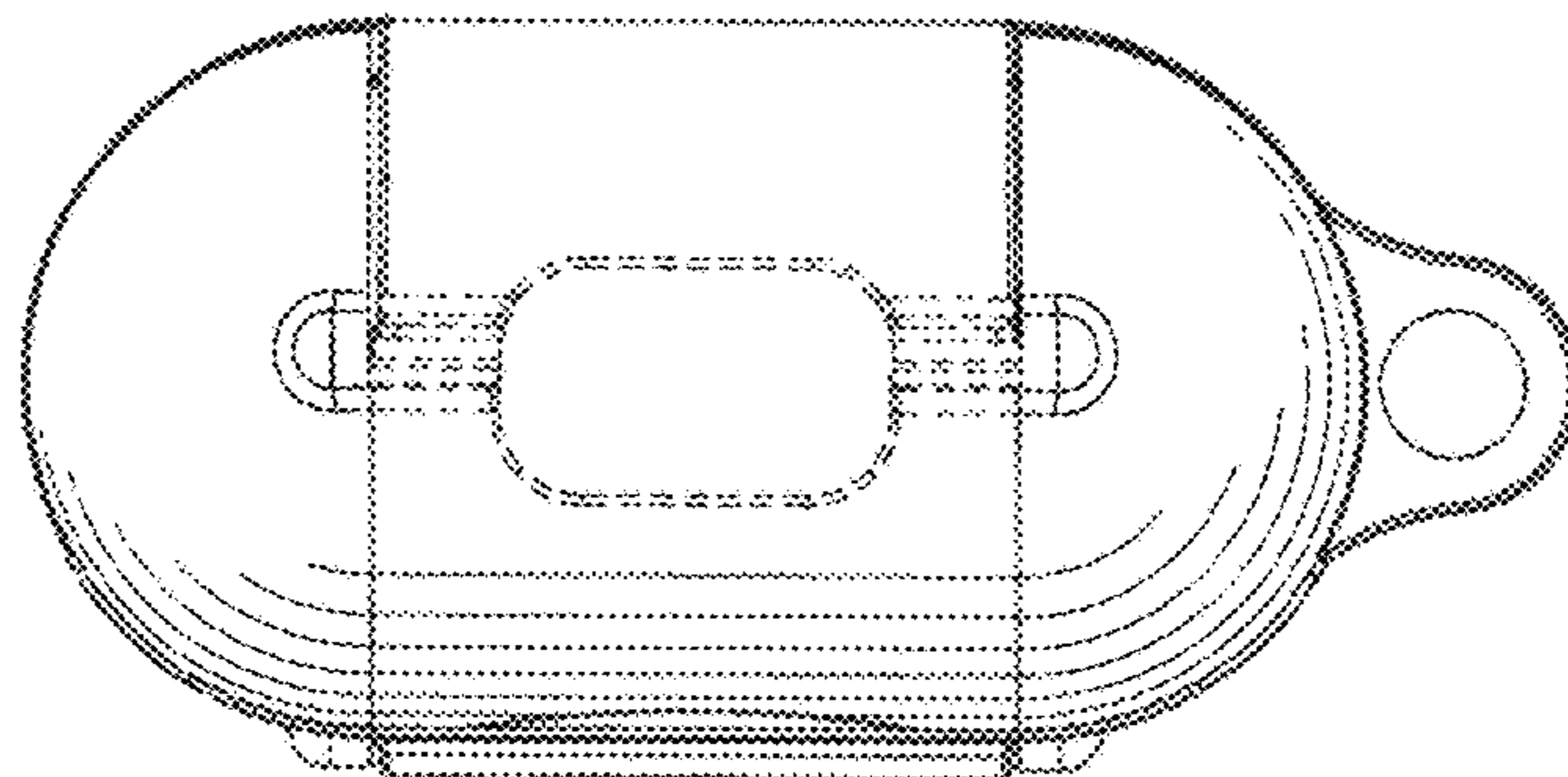


Fig. 9

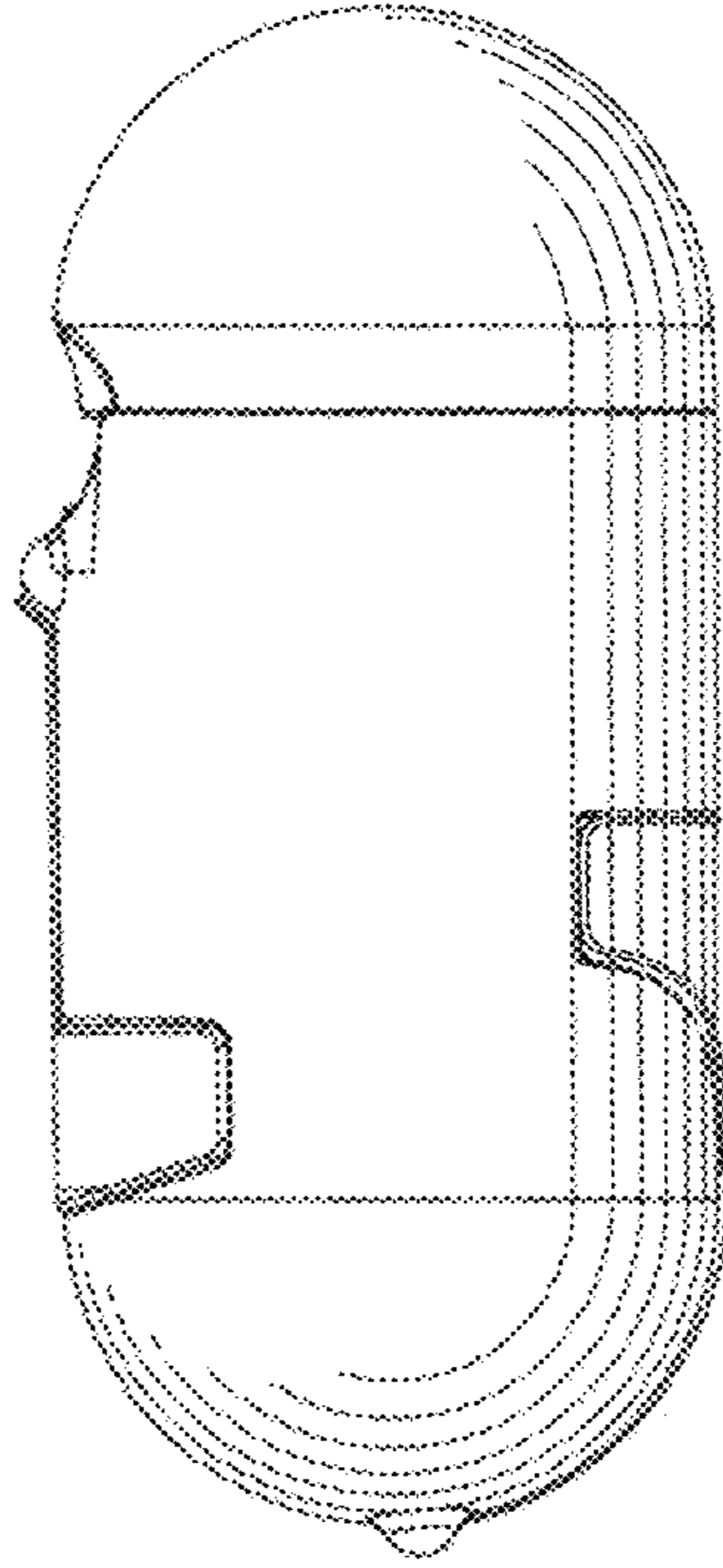


Fig. 10

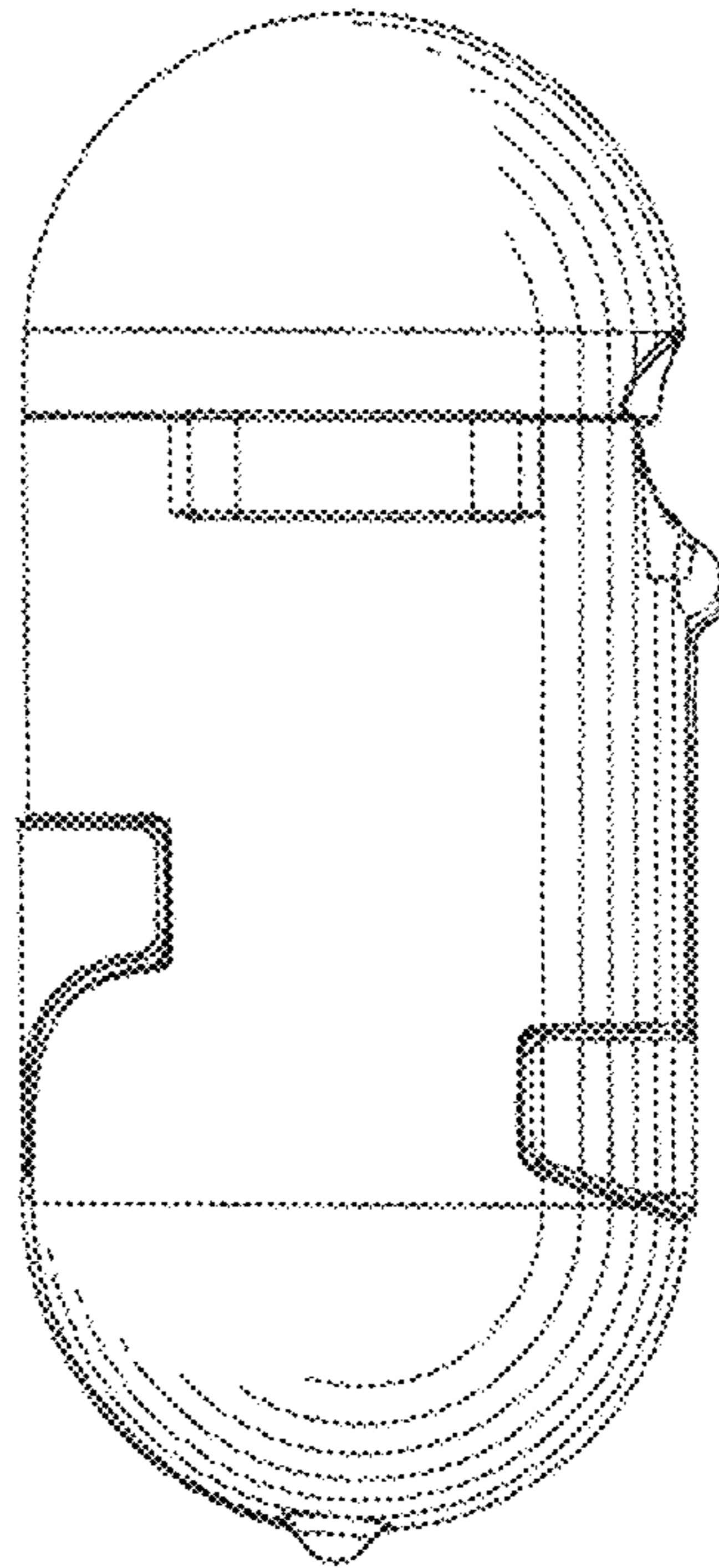


Fig. 11