



US00D936360S

(12) **United States Design Patent** (10) **Patent No.:** **US D936,360 S**
Schilling et al. (45) **Date of Patent:** **** Nov. 23, 2021**

(54) **PACKAGING FOR JEWELRY**

(71) Applicant: **LXL Group Inc.**, Grand Cayman (KY)

(72) Inventors: **Frank Schilling**, Grand Cayman (KY);
Sait Bozkurt, Istanbul (TR); **Onur Kirtay**, Istanbul (TR)

(73) Assignee: **LXL Group Inc.**, Grand Cayman (KY)

(**) Term: **15 Years**

(21) Appl. No.: **29/693,425**

(22) Filed: **Jun. 3, 2019**

(51) **LOC (13) Cl.** **03-01**

(52) **U.S. Cl.**
USPC **D3/294**; D3/903; D9/420

(58) **Field of Classification Search**
USPC D3/201, 205, 203.1, 218, 242, 263,
D3/273–276, 279–282, 284, 292, 294,
D3/295, 296, 299, 301, 302, 318, 321,
D3/905, 901, 903, 271.4; D9/423, 420,
D9/430, 432; D28/76, 77, 78, 81, 83, 91;
206/6.1
CPC A45C 5/00; A45C 5/005; A45C 2005/032;
A45C 2005/035; A45C 2005/307; A45C
11/00; A45C 13/002; A45C 11/16; A47F
7/03

See application file for complete search history.

(56) **References Cited**

U.S. PATENT DOCUMENTS

D9,689 S * 1/1877 Morgan D3/294
D45,251 S * 2/1914 Chodorkow et al. D3/323
(Continued)

OTHER PUBLICATIONS

US trademark application No. 88160099, filed Oct. 18, 2018.

Primary Examiner — Lilyana Bekic

Assistant Examiner — Mary Shannon Malley

(74) *Attorney, Agent, or Firm* — Oppedahl Patent Law Firm LLC

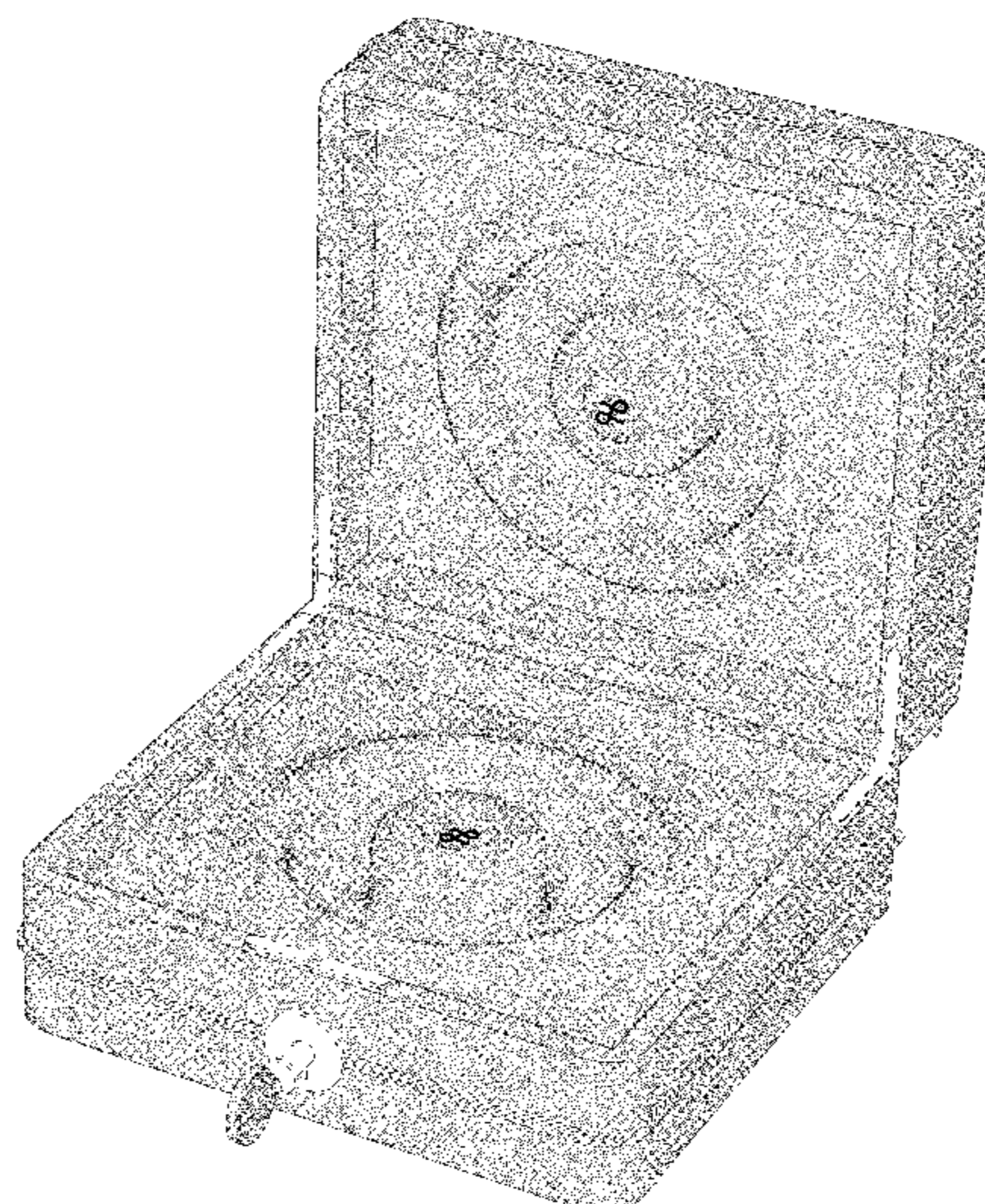
(57) **CLAIM**

The ornamental design for packaging for jewelry, as shown and described.

DESCRIPTION

FIG. 1 is a front perspective view of a first embodiment of the new design for packaging for jewelry;
FIG. 2 is a back perspective view of FIG. 1;
FIG. 3 is a front view of FIG. 1;
FIG. 4 is a back view of FIG. 1;
FIG. 5 is a left side view of FIG. 1;
FIG. 6 is a right side view of FIG. 1;
FIG. 7 is a top view of FIG. 1;
FIG. 8 is a bottom view of FIG. 1;
FIG. 9 is a front perspective view identifying the region for enlarged view in FIG. 10;
FIG. 10 is an enlarged view of the region indicated in FIG. 9;
FIG. 11 is a front perspective view of FIG. 1 showing the design in its environment;
FIG. 12 is a front perspective view of FIG. 1 showing the design with the key removed;
FIG. 13 is a front perspective view of FIG. 1 shown in a closed position;
FIG. 14 is a back perspective view of FIG. 13;
FIG. 15 is a front perspective view of a second embodiment of the new design for packaging for jewelry;
FIG. 16 is a back perspective view of FIG. 15;
FIG. 17 is a front view of FIG. 15;
FIG. 18 is a back view of FIG. 15; and,
FIG. 19 is a bottom view of FIG. 15.
The broken lines illustrating a piece of jewelry in FIG. 11 depicts environmental subject matter that does not form part of the claimed design. The remaining broken lines depict portions of the packaging for jewelry that do not form part of the claimed design.

1 Claim, 19 Drawing Sheets



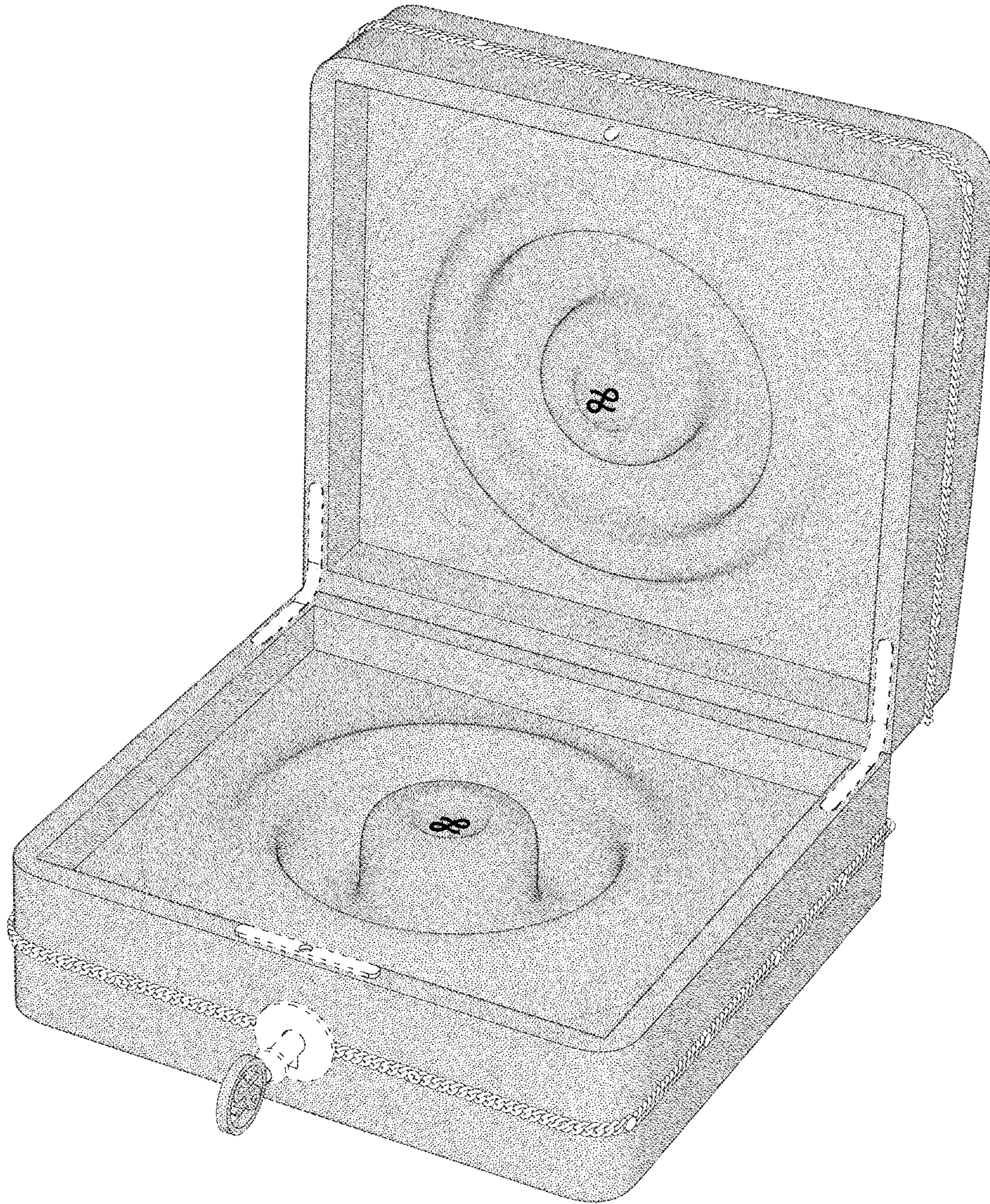


FIG. 1

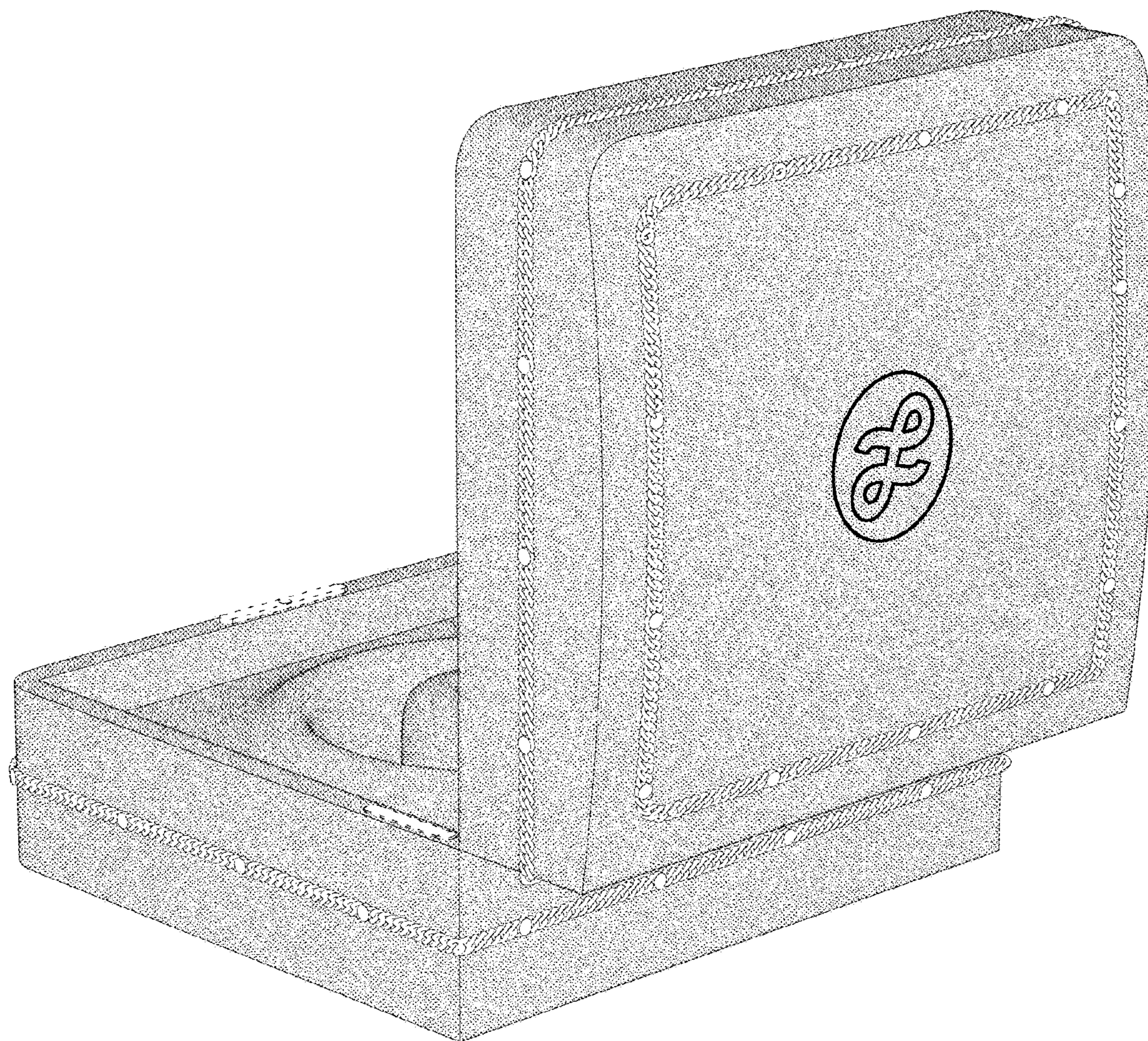


FIG. 2

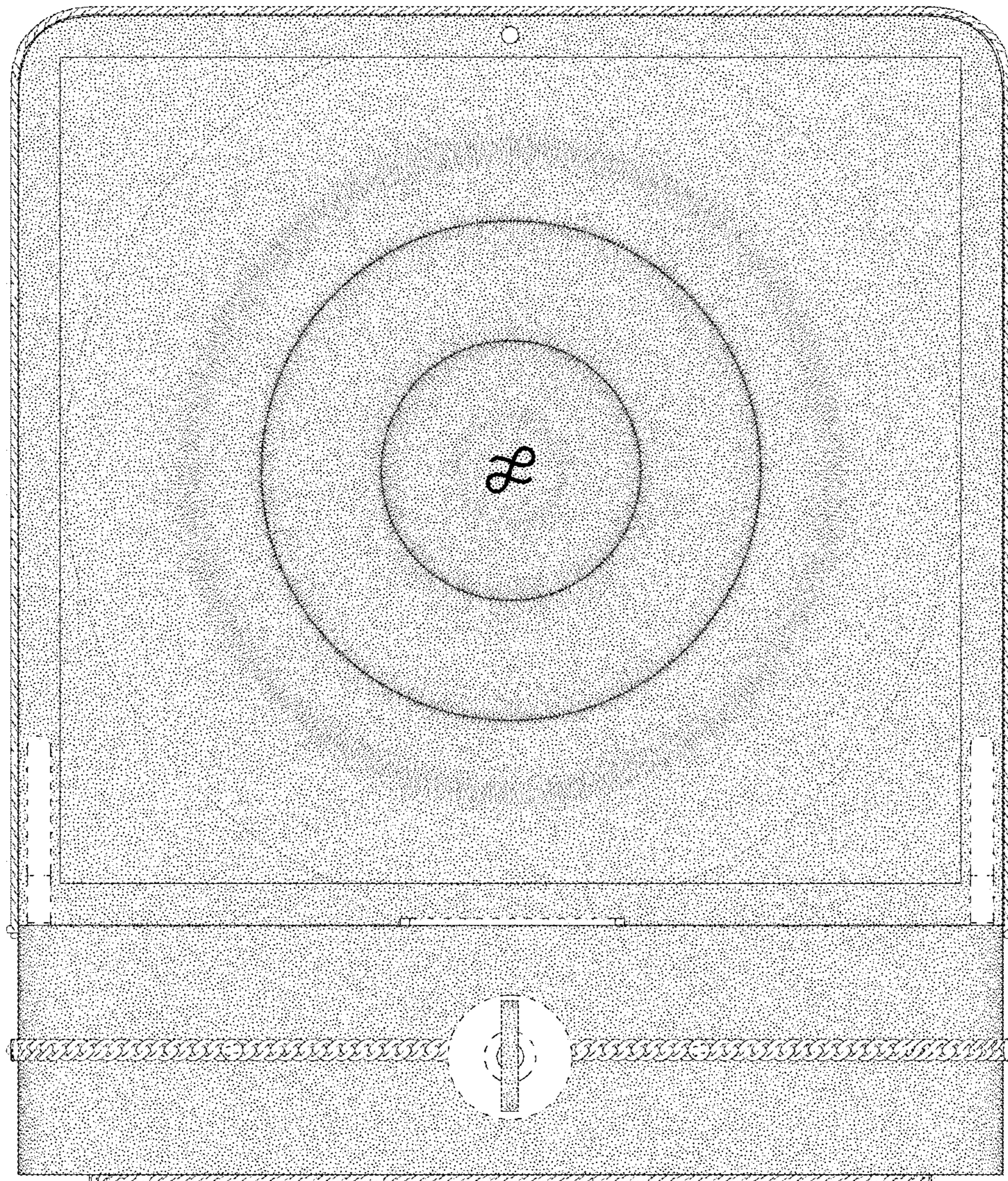


FIG. 3

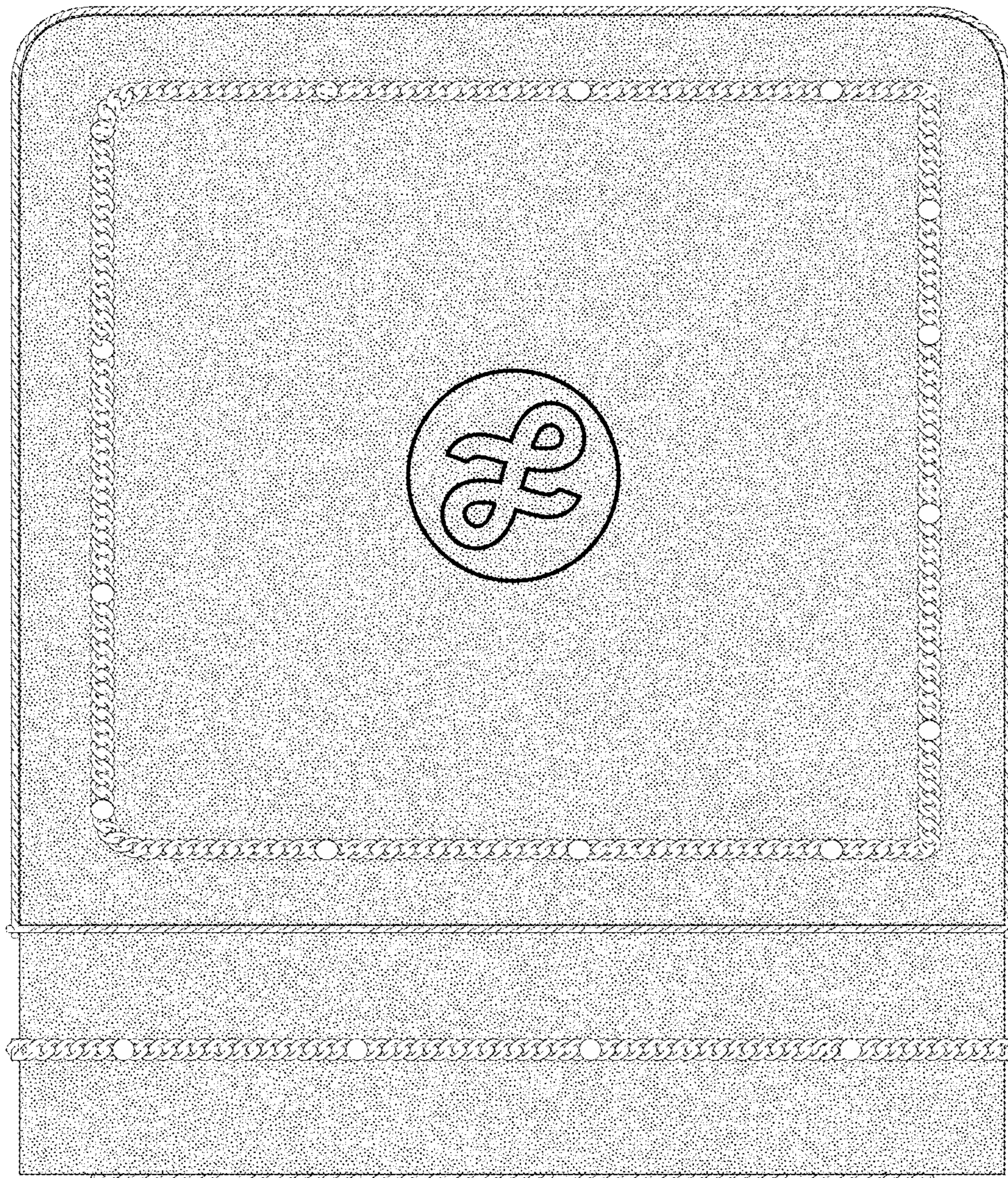


FIG. 4

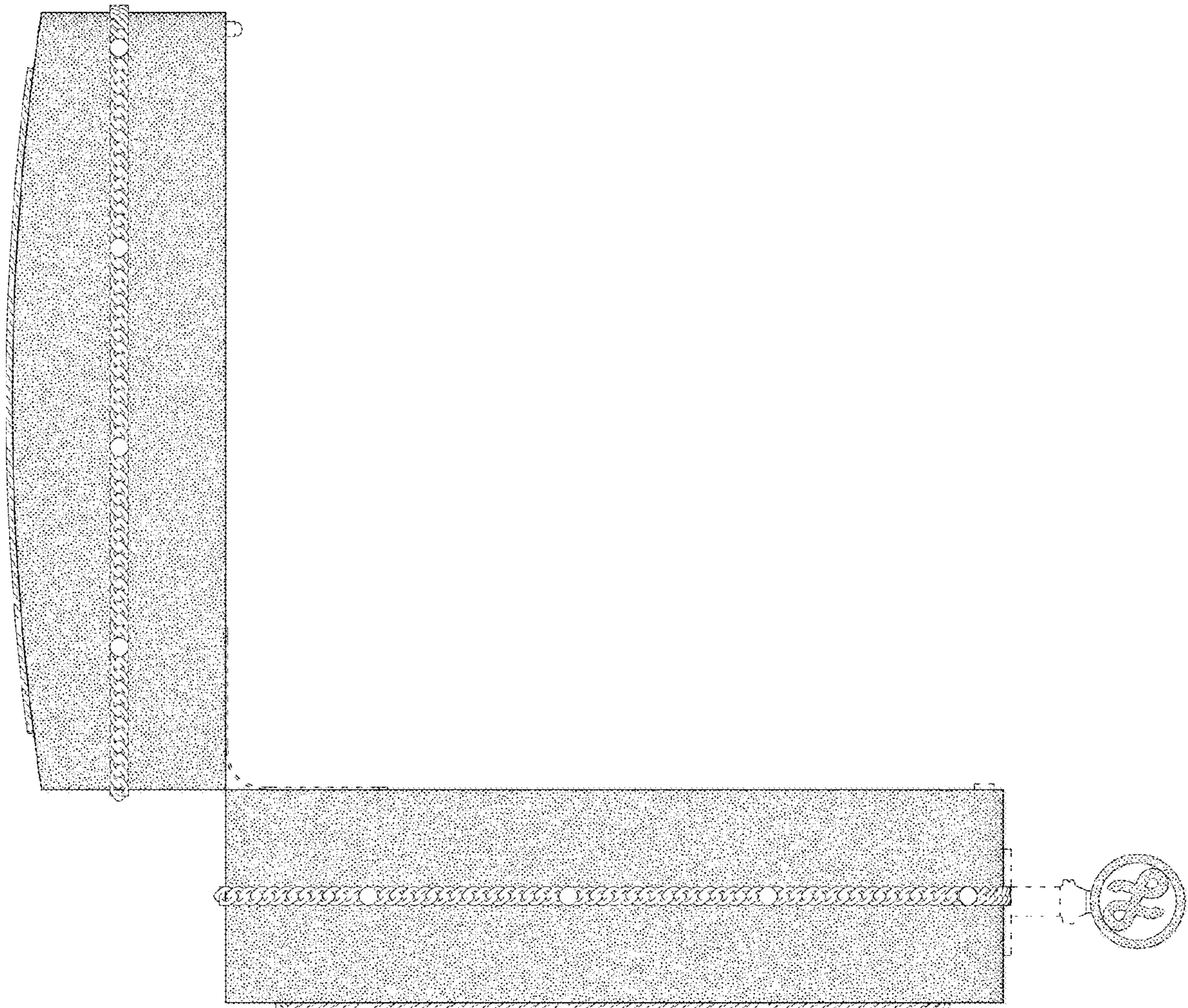


FIG. 5

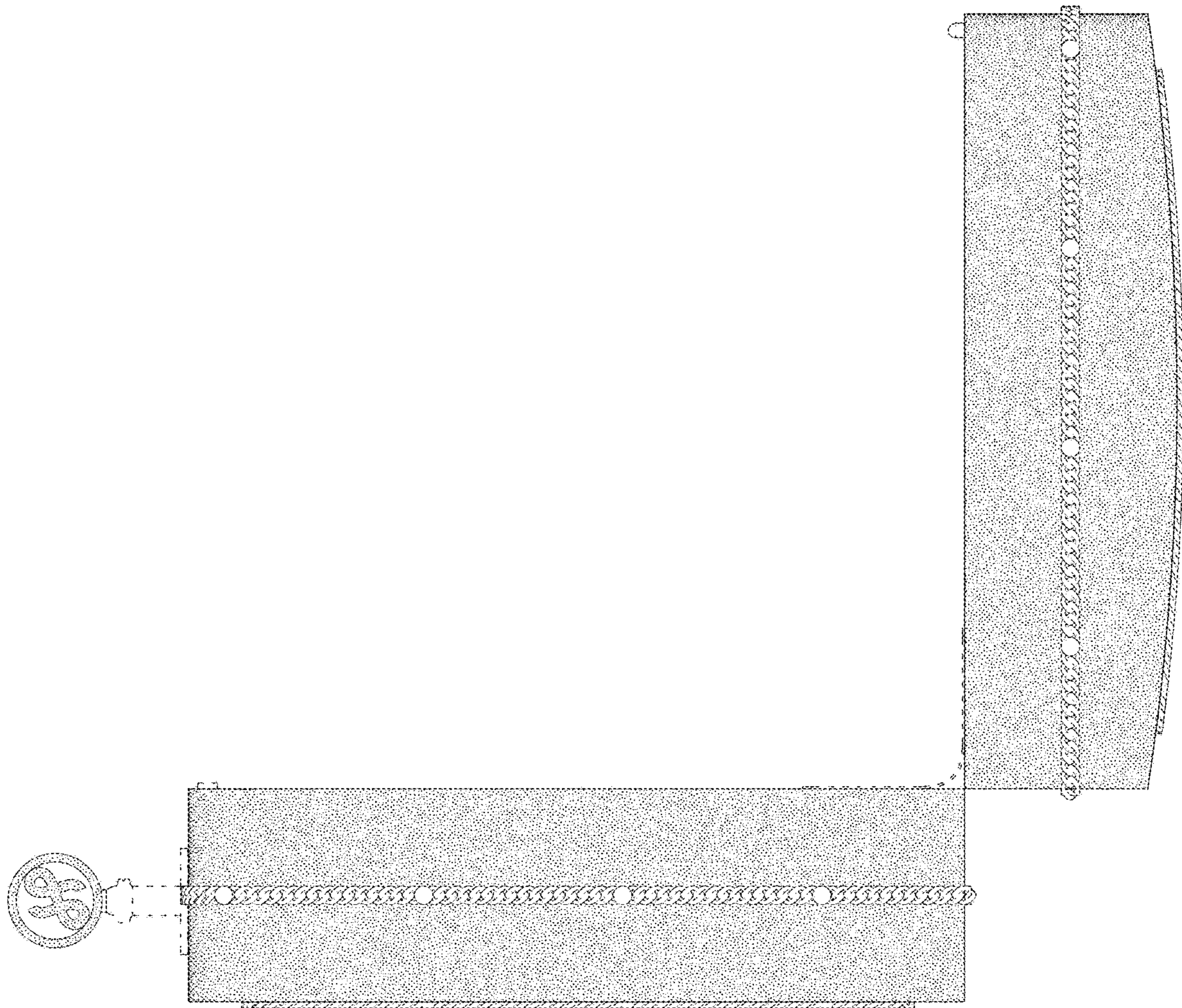


FIG. 6

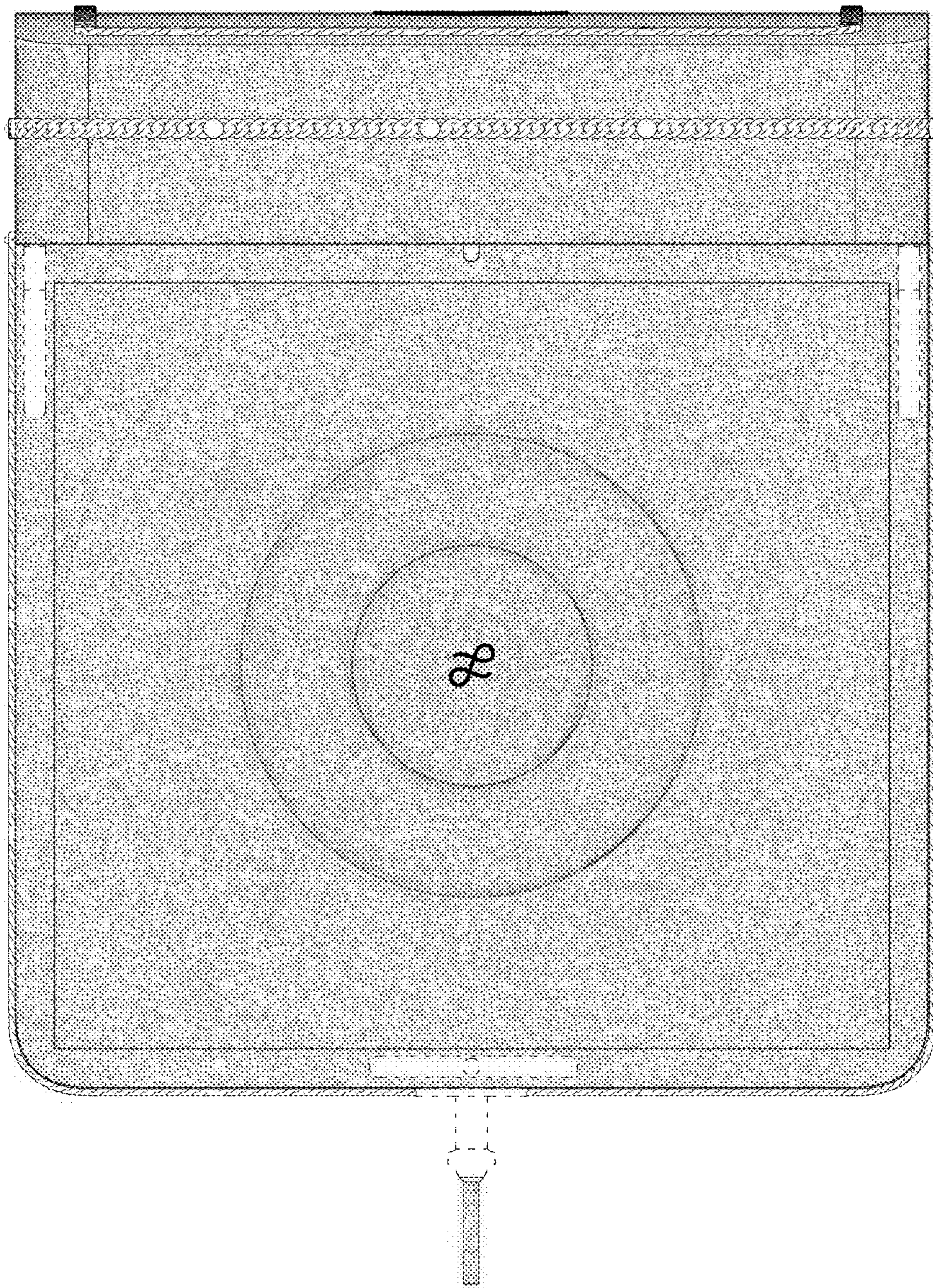


FIG. 7

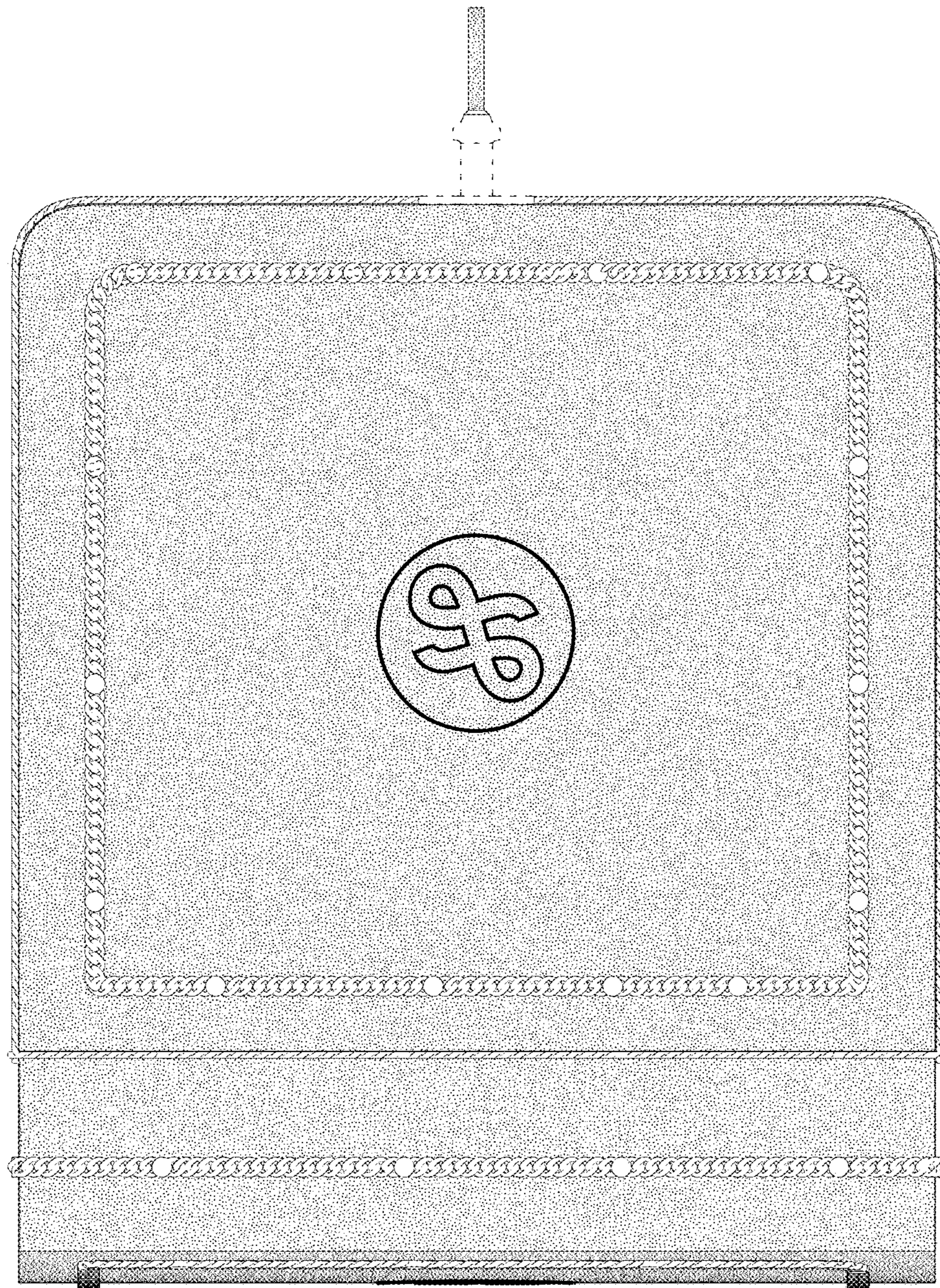


FIG. 8

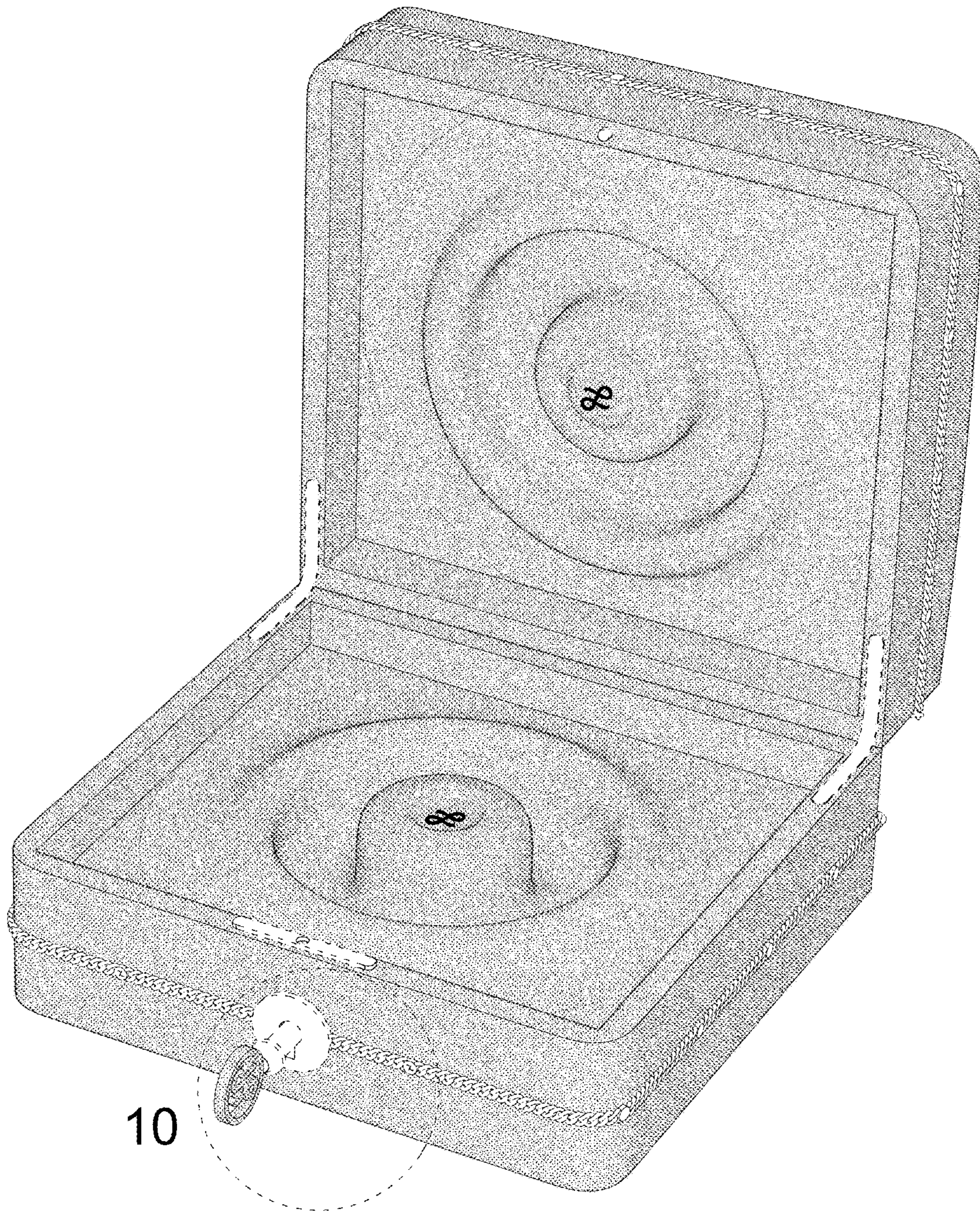


FIG. 9

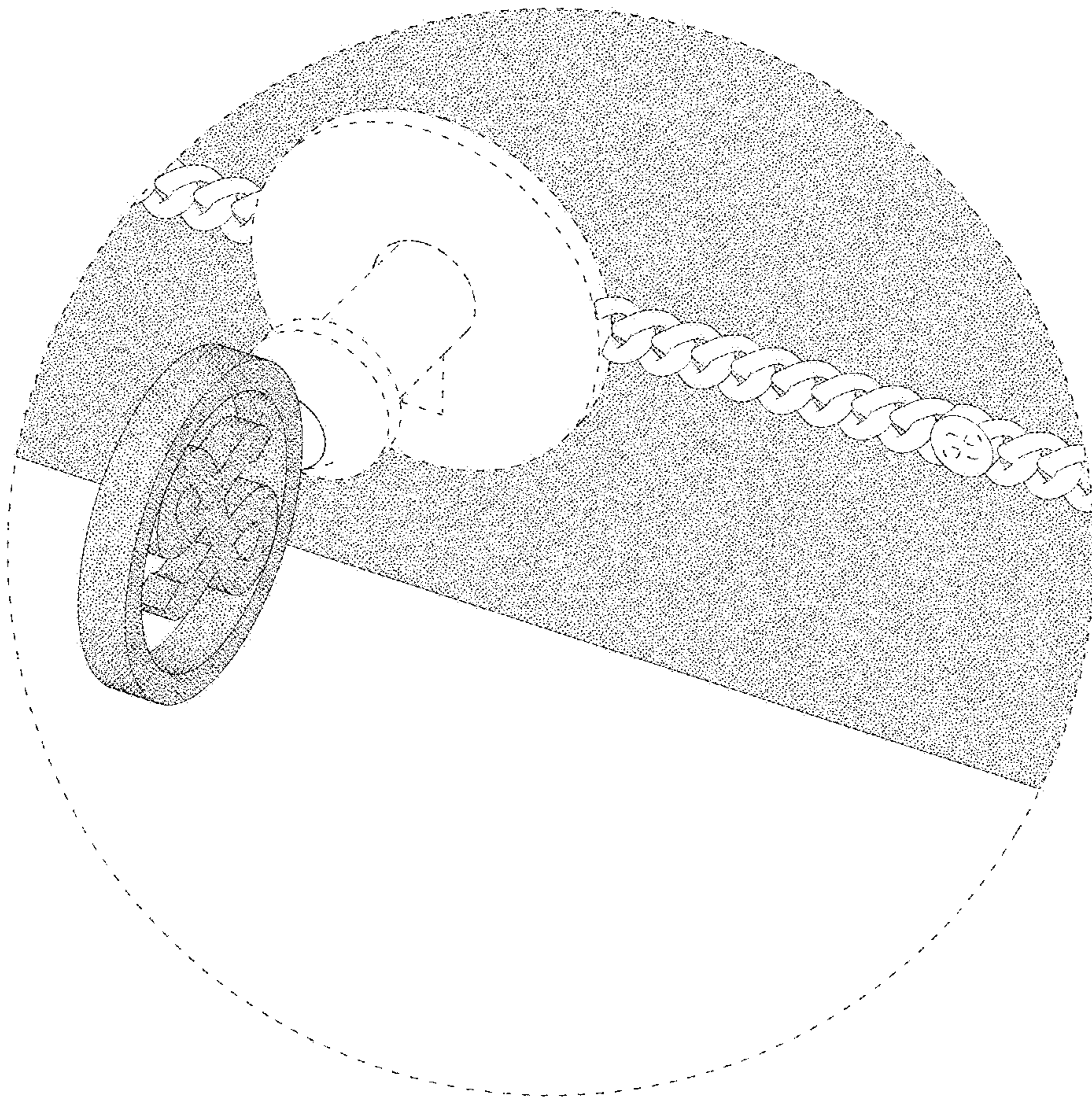


FIG. 10

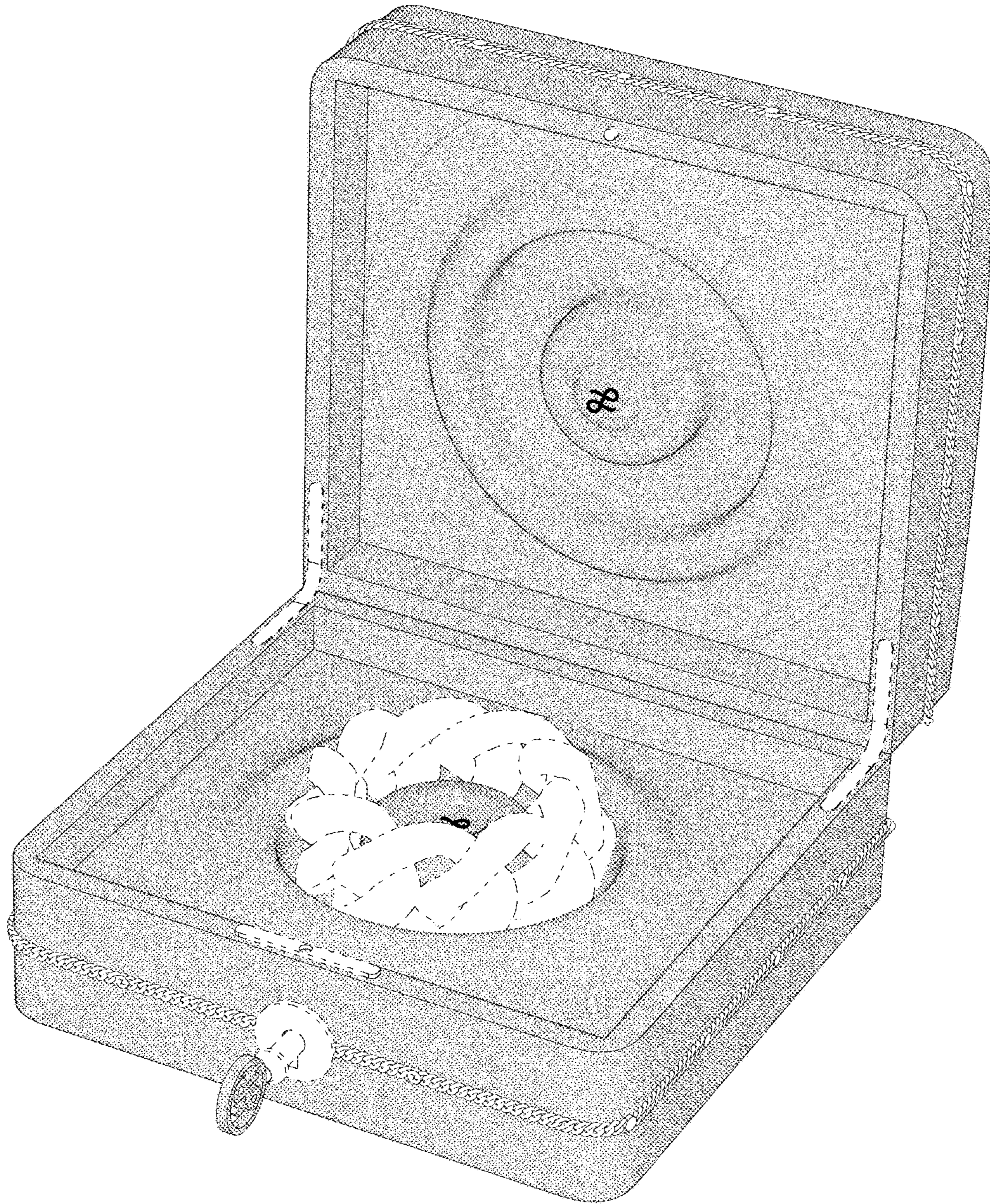


FIG. 11

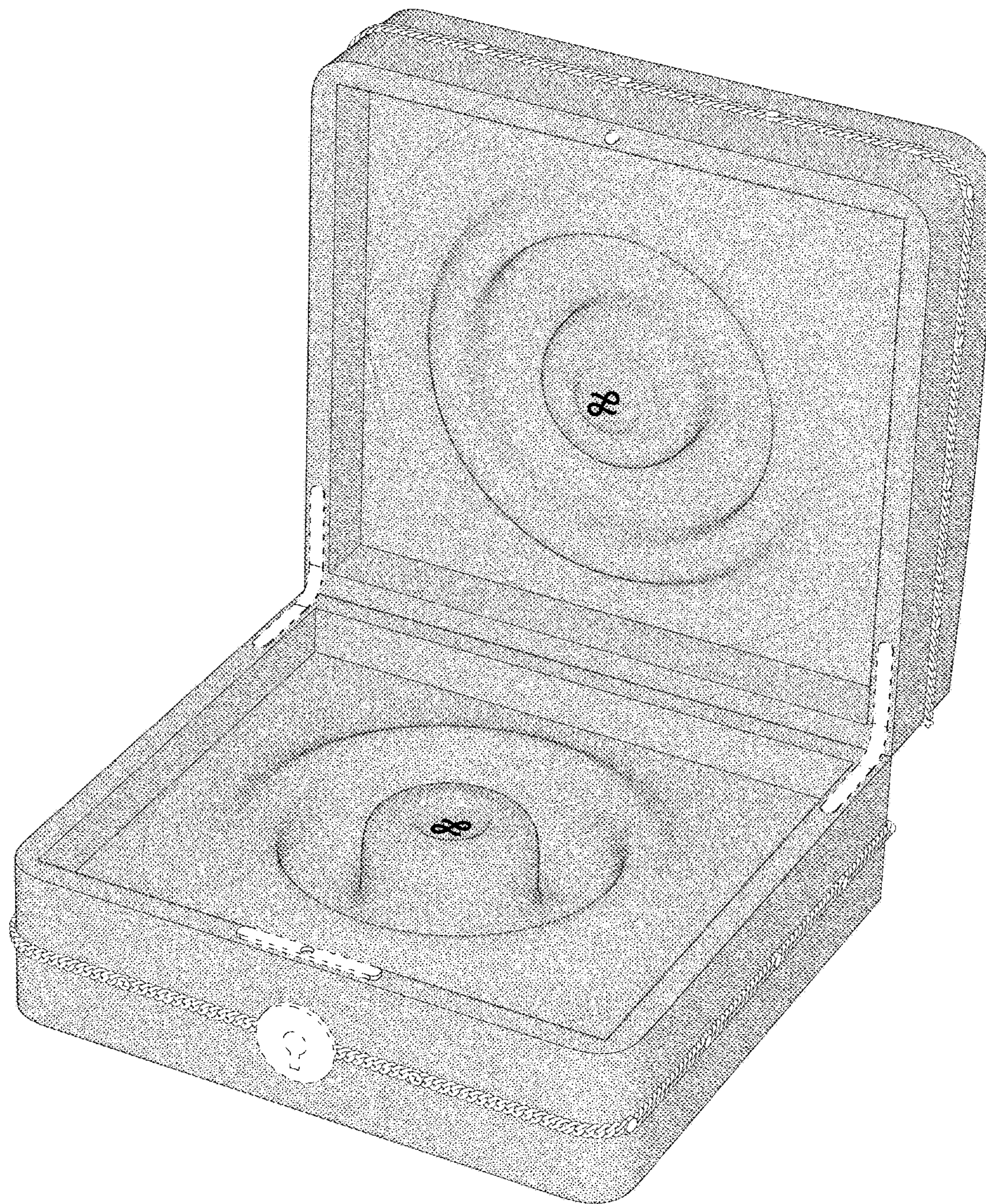


FIG. 12



FIG. 13

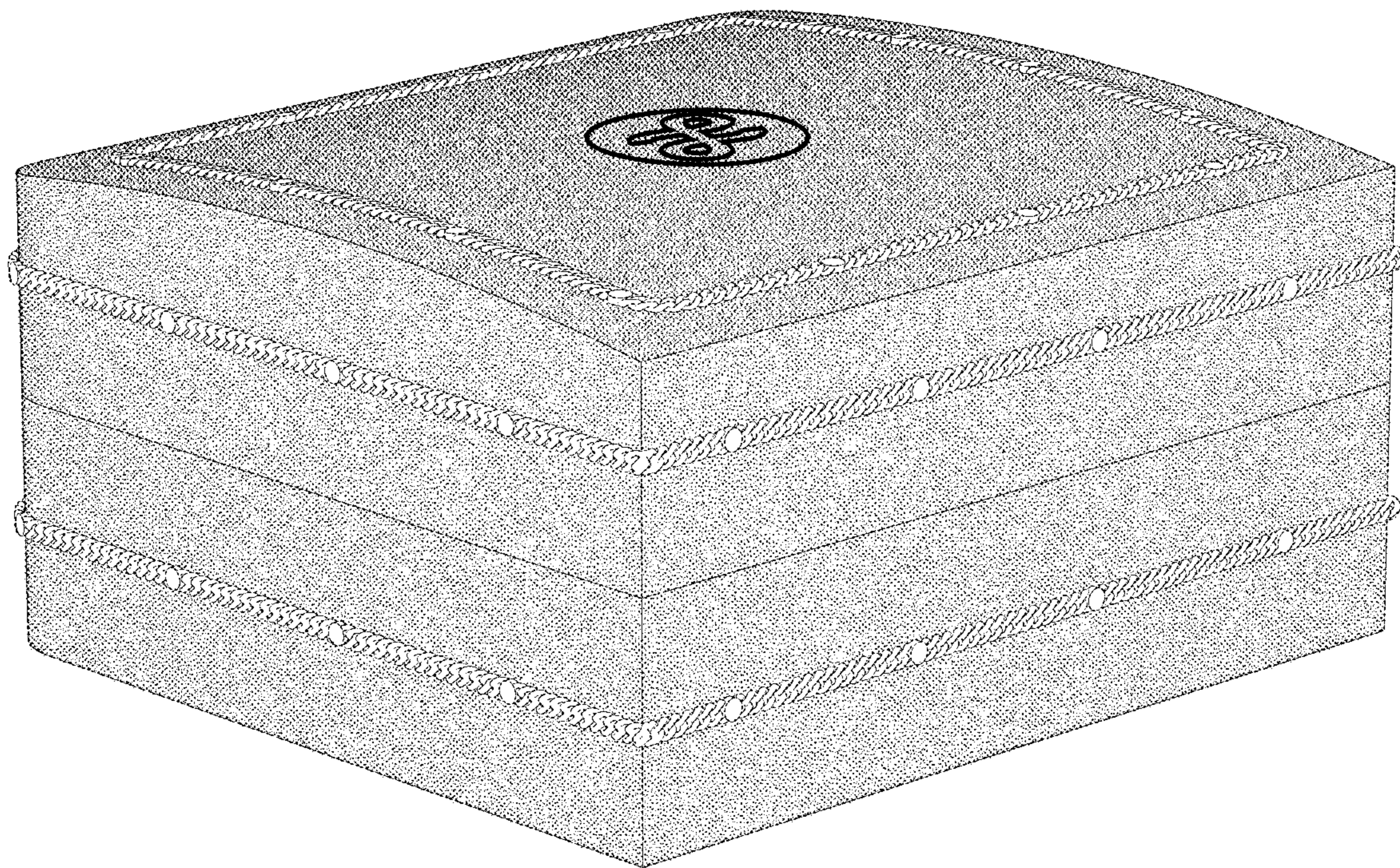


FIG. 14

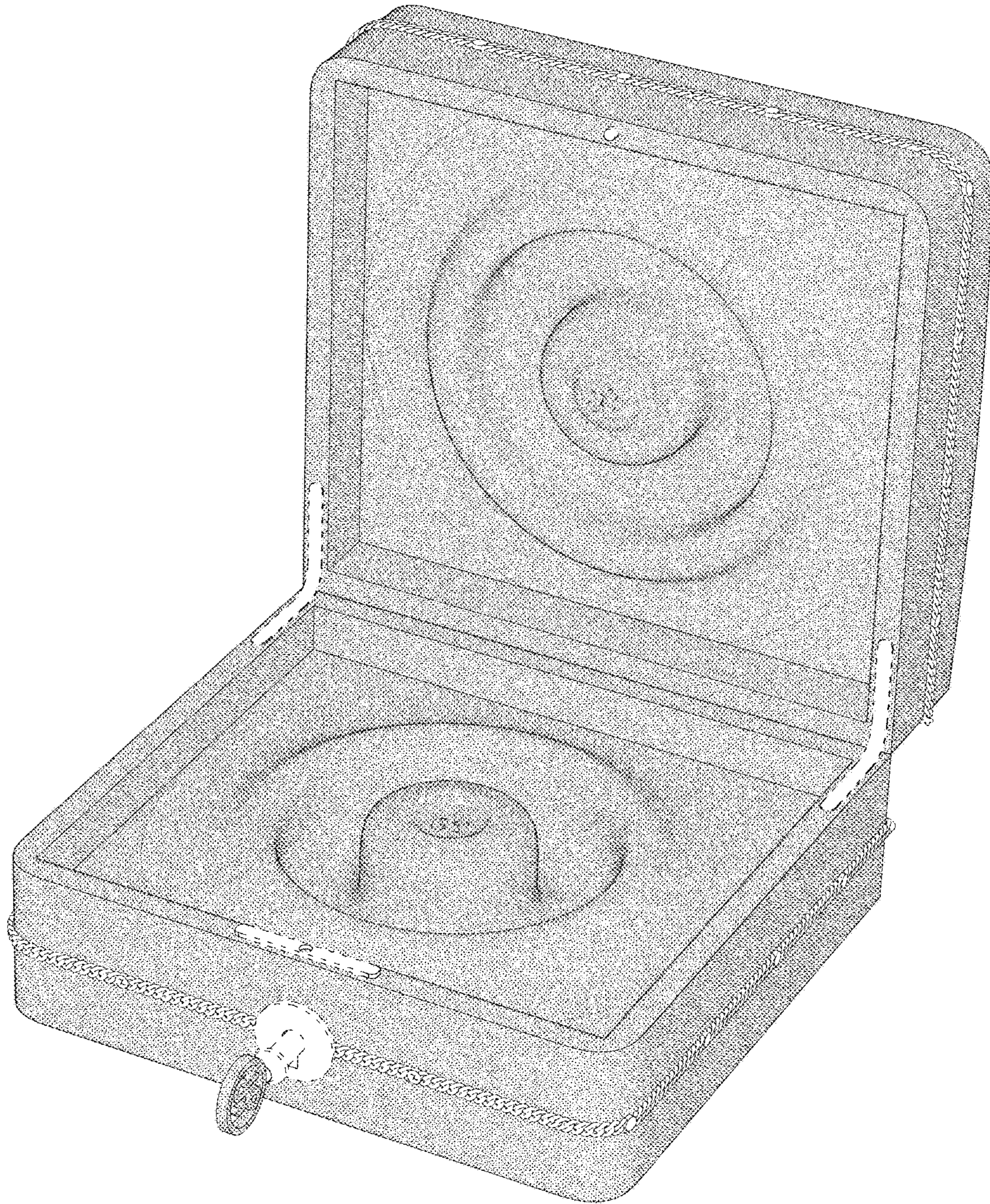


FIG. 15

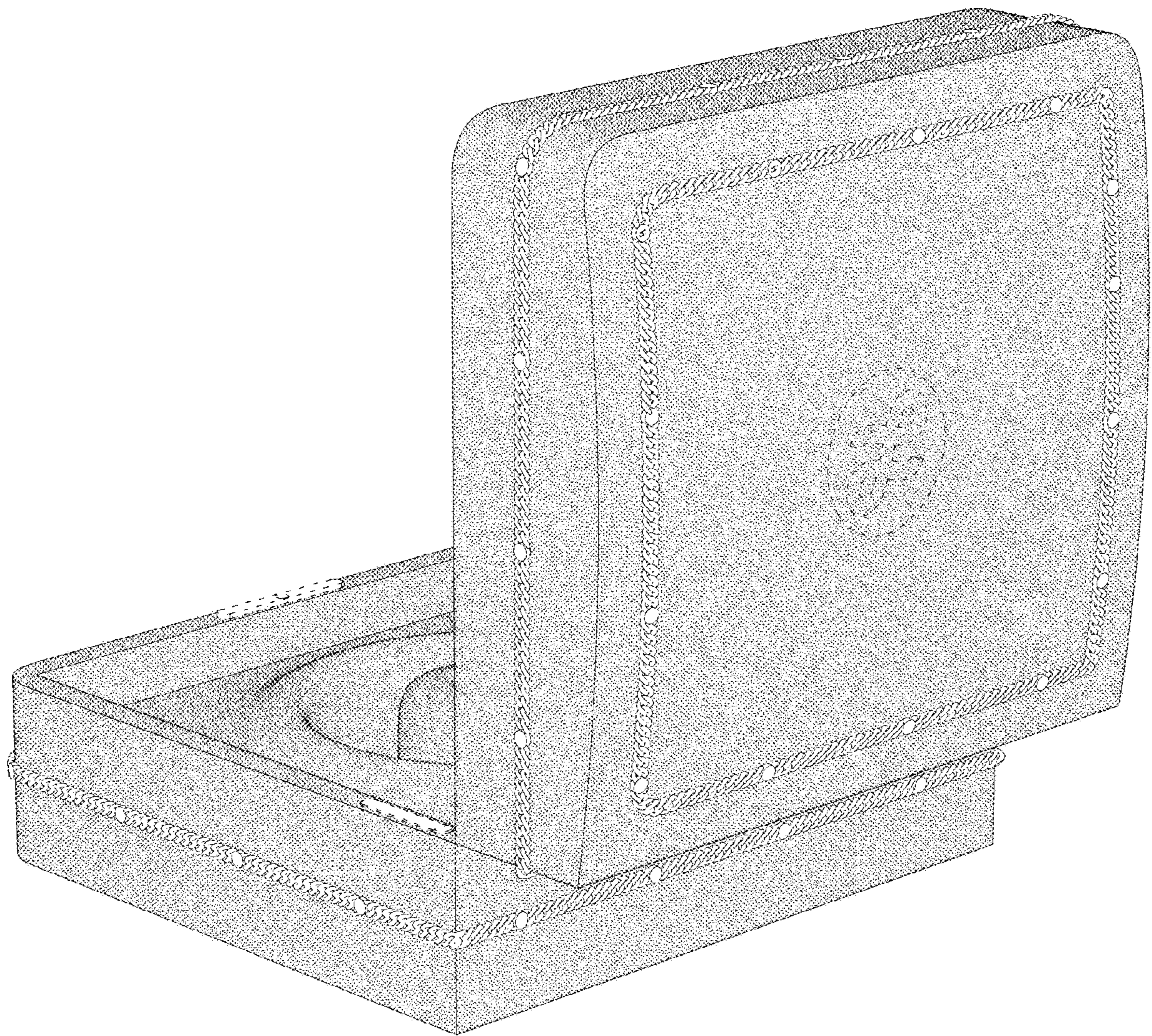


FIG. 16

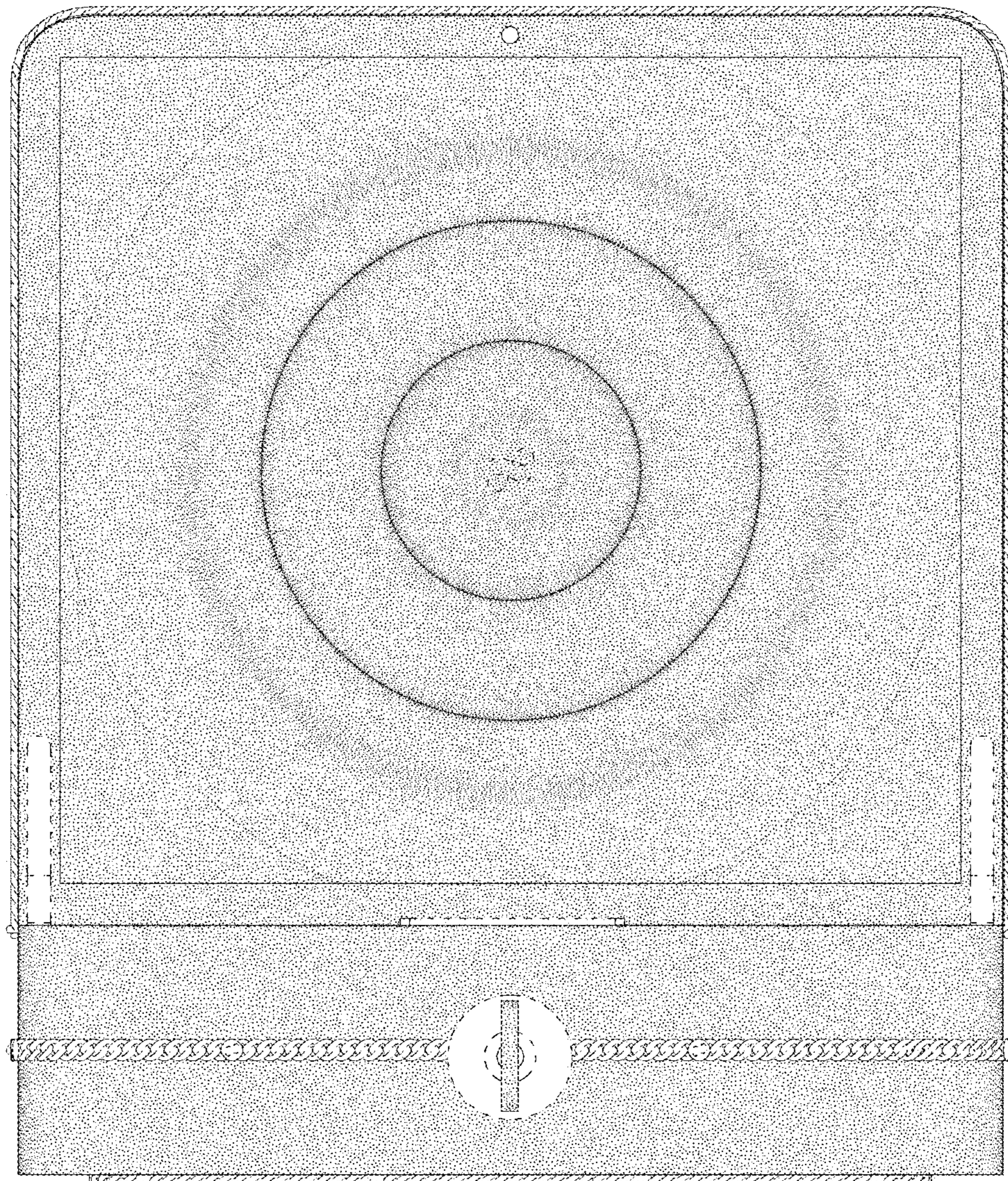


FIG. 17

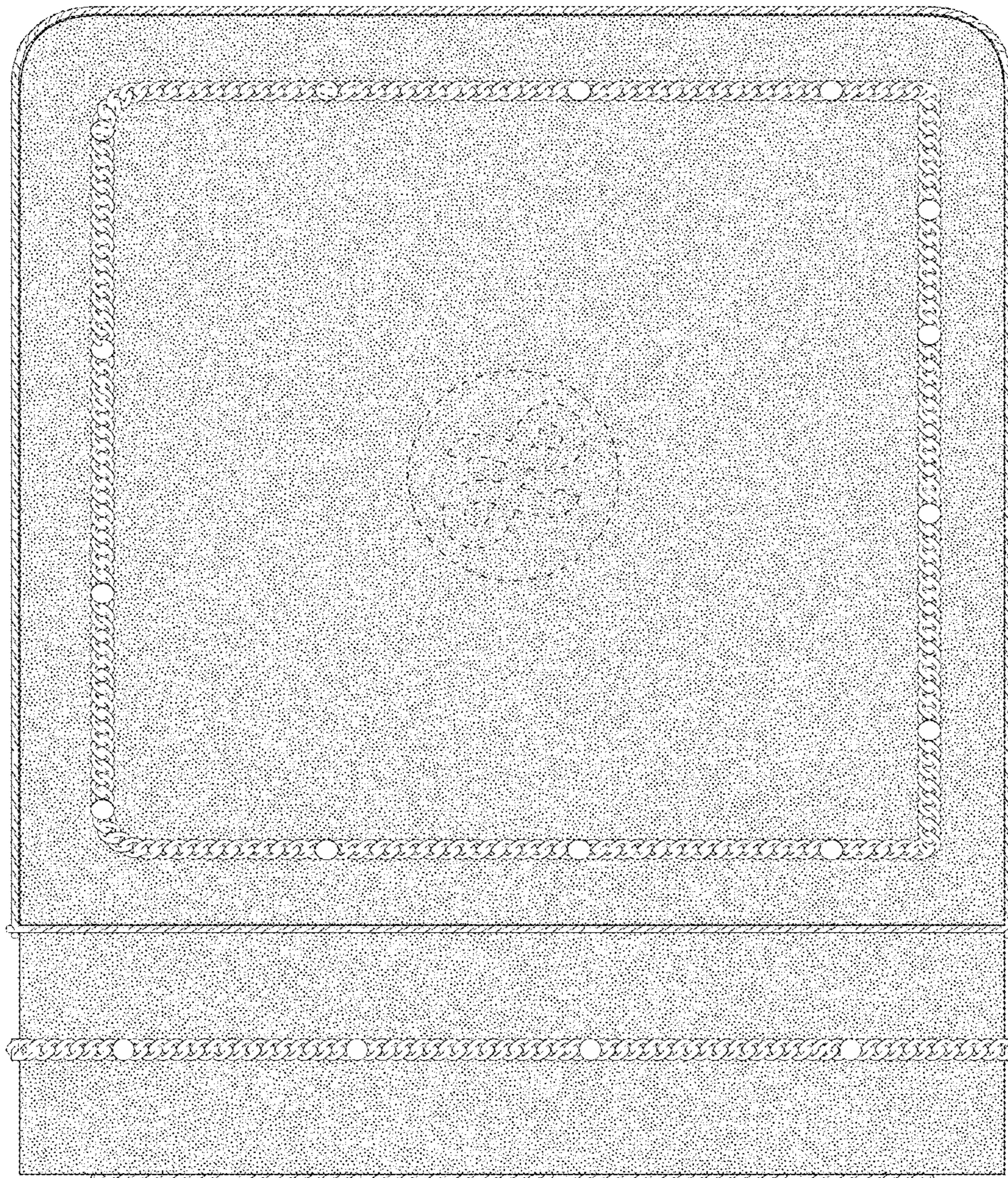


FIG. 18

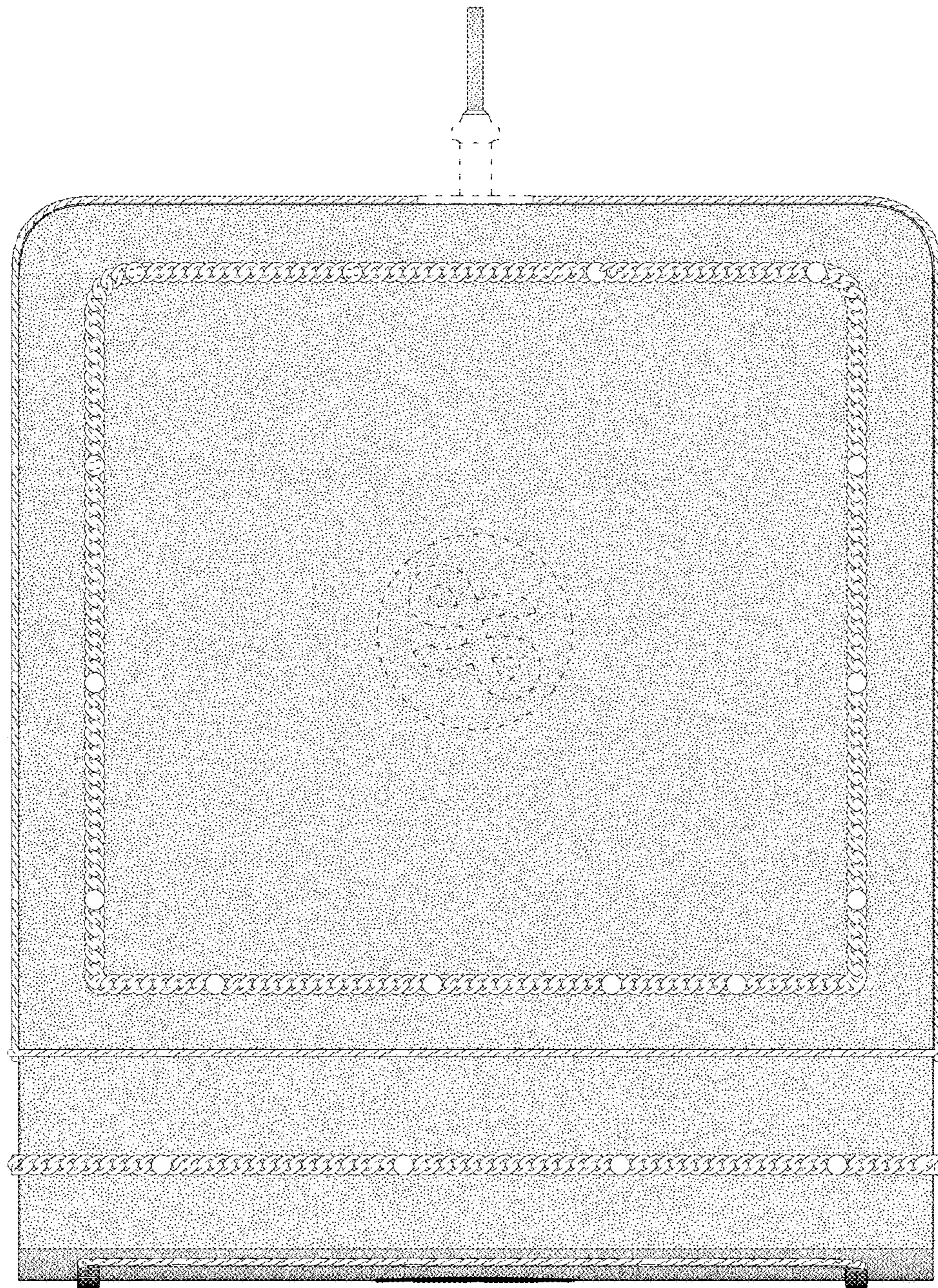


FIG. 19