



US00D936357S

(12) **United States Design Patent**
Yang

(10) **Patent No.:** **US D936,357 S**

(45) **Date of Patent:** **** Nov. 23, 2021**

(54) **PHONE BAG**

(71) Applicant: **Fuqing Yang**, Hengyang (CN)

(72) Inventor: **Fuqing Yang**, Hengyang (CN)

(**) Term: **15 Years**

(21) Appl. No.: **29/758,881**

(22) Filed: **Nov. 19, 2020**

(51) **LOC (13) Cl.** **03-01**

(52) **U.S. Cl.**
USPC **D3/249**

(58) **Field of Classification Search**
USPC D3/218, 226, 232–233, 245–246, 247,
D3/249, 252, 272, 276, 318; D14/250,
D14/253
CPC A45C 2011/002; A45C 3/06; A45F
2200/0516
See application file for complete search history.

(56) **References Cited**

U.S. PATENT DOCUMENTS

D345,254 S *	3/1994	Bodden	D3/243
D551,446 S *	9/2007	Elnekaveh	D3/249
D631,650 S *	2/2011	Li	D3/218
D659,394 S *	5/2012	Hebert	D3/247
D723,795 S *	3/2015	Kalbach	D3/218
D742,115 S *	11/2015	Besner	D3/249
D794,952 S *	8/2017	Feng	D3/247
D818,263 S *	5/2018	Broadhurst	D3/218
D831,955 S *	10/2018	Brandt	D3/232
D851,923 S *	6/2019	Dumas	D3/232
D856,671 S *	8/2019	Li	D3/249
D858,096 S *	9/2019	Liu	D3/249
D862,081 S *	10/2019	Lange	D3/249

D862,082 S *	10/2019	Lange	D3/249
D862,879 S *	10/2019	Lange	D3/249
D874,136 S *	2/2020	Feng	D3/249
D878,037 S *	3/2020	Sasaki-Whalen	D3/226
D880,855 S *	4/2020	Lu	D3/249
D884,341 S *	5/2020	Zhou	D3/249
D892,107 S *	8/2020	Zhao	D14/250
D895,278 S *	9/2020	Moore	D3/252
D902,192 S *	11/2020	Wright	
D903,315 S *	12/2020	Liu	D3/249
D906,321 S *	12/2020	Feng	D14/250
D909,057 S *	2/2021	Bloom	D3/247
2014/0367004 A1 *	12/2014	Miki	A45C 11/00 150/112

* cited by examiner

Primary Examiner — Jennifer L Watkins
Assistant Examiner — Samantha Lynne Brodowski
(74) *Attorney, Agent, or Firm* — Justin Lampel

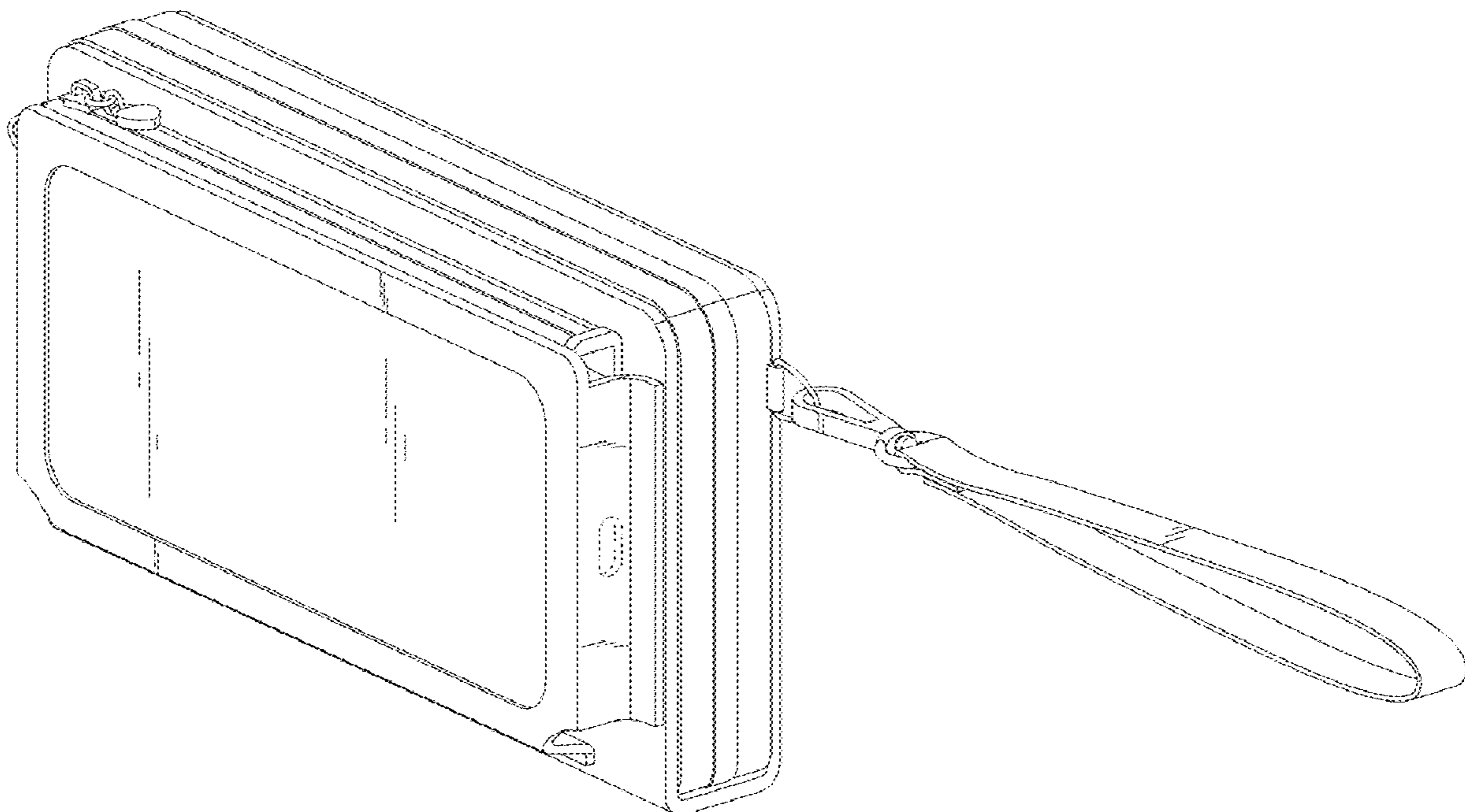
(57) **CLAIM**

The ornamental design for a phone bag, as shown and described.

DESCRIPTION

FIG. 1 is a perspective view of a phone bag showing the claimed design;
FIG. 2 is a top plan view thereof;
FIG. 3 is a left side elevational view thereof;
FIG. 4 is a front elevational view thereof;
FIG. 5 is a right side elevational view thereof;
FIG. 6 is a rear elevational view thereof; and,
FIG. 7 is a bottom plan view thereof.
The broken lines depict portions of the article and form no part of the claimed design.

1 Claim, 7 Drawing Sheets



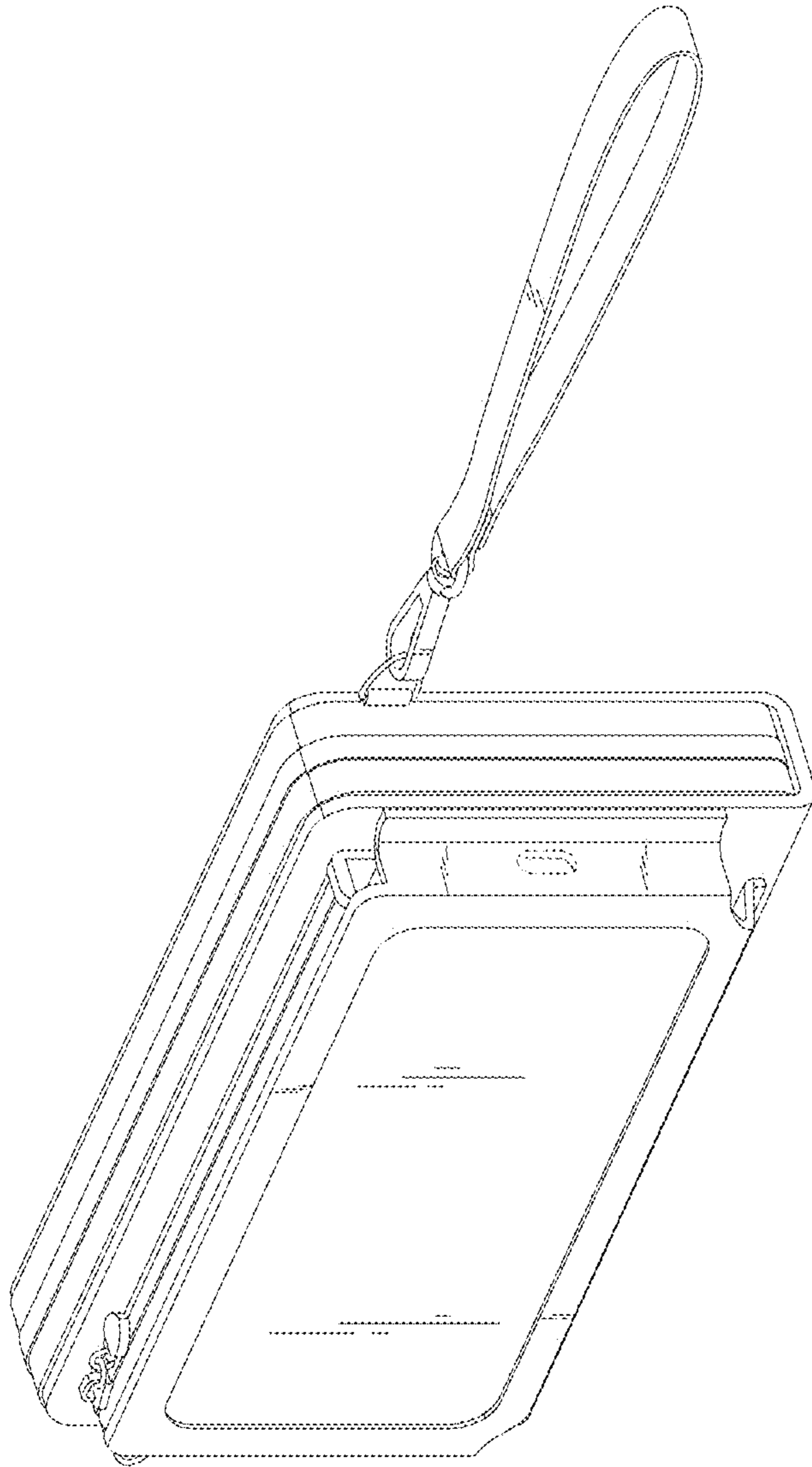


FIG. 1

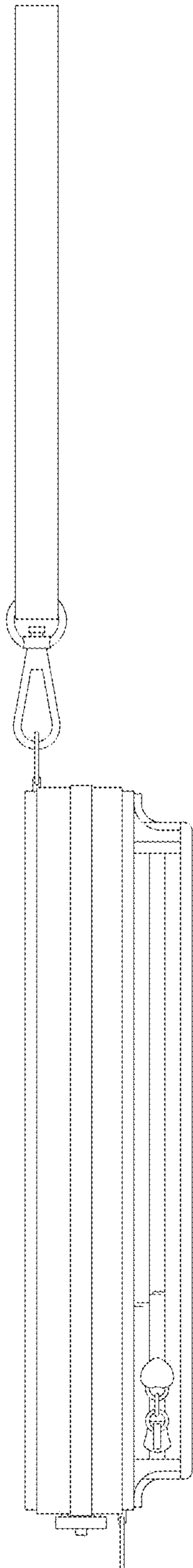


FIG. 2

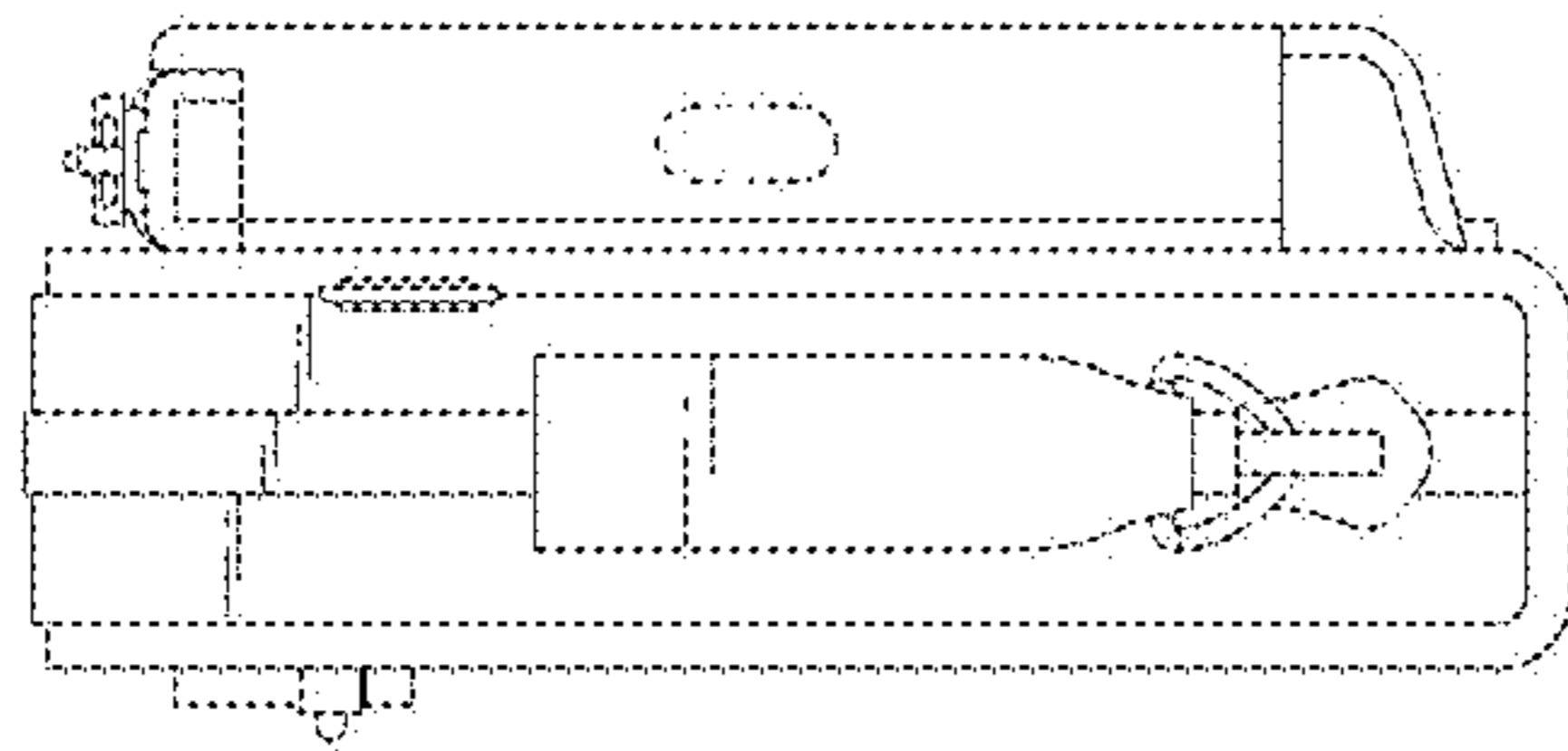


FIG. 3

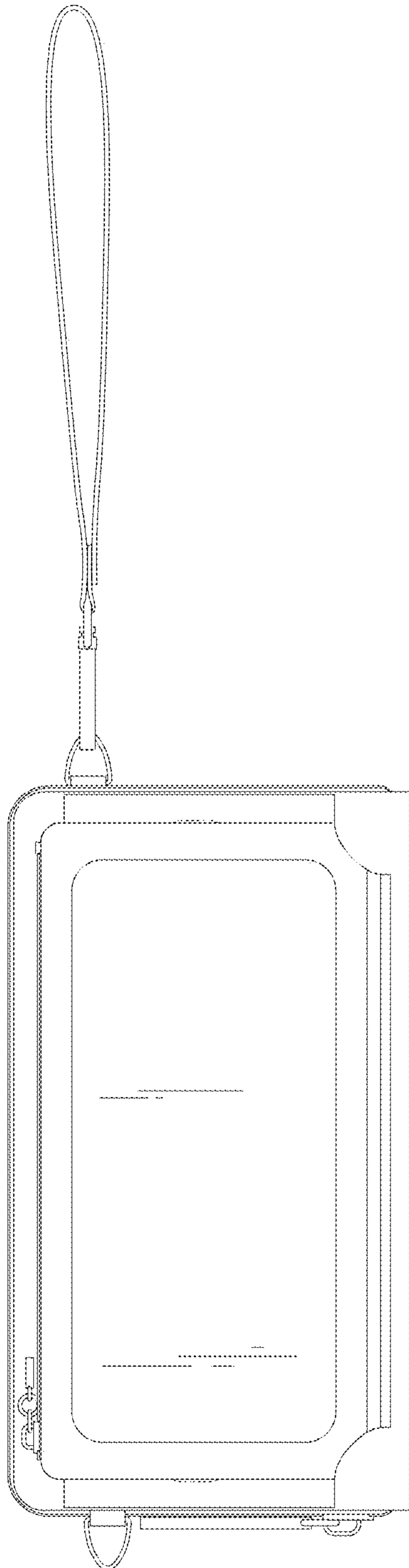


FIG.4

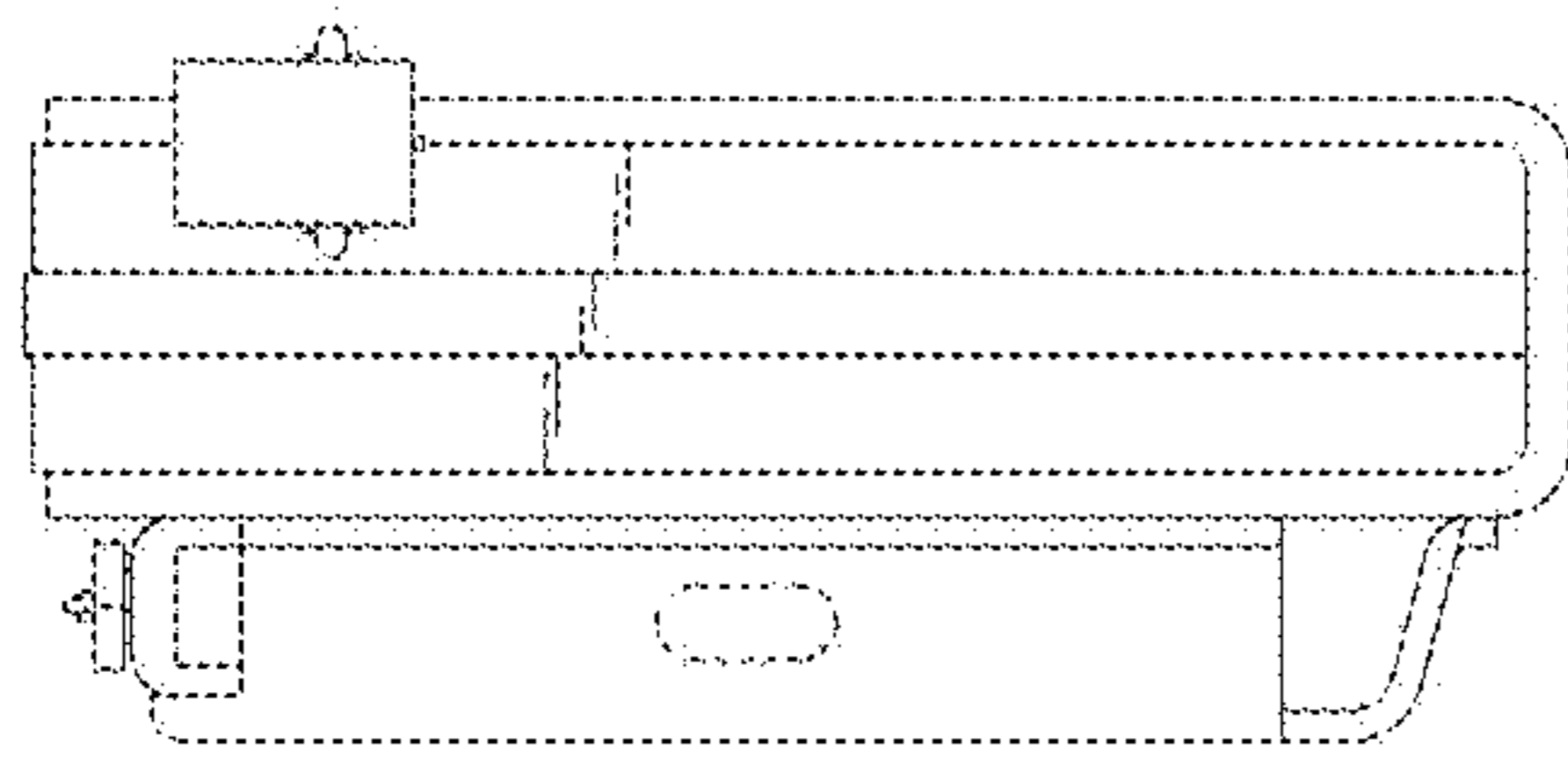


FIG. 5

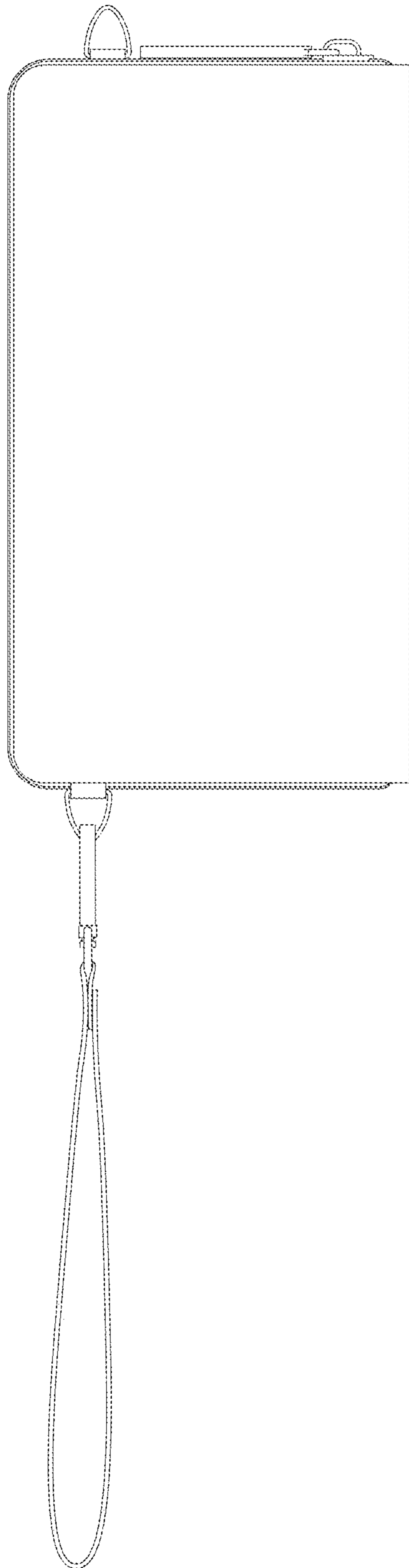


FIG. 6

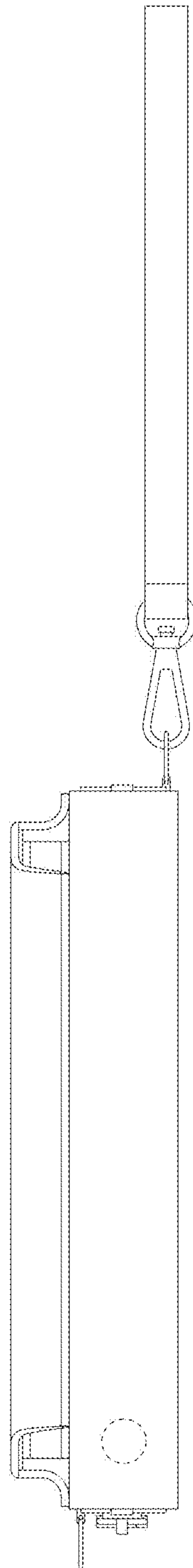


FIG. 7