



US00D936356S

(12) **United States Design Patent**  
**Kikuta**

(10) **Patent No.:** **US D936,356 S**

(45) **Date of Patent:** **\*\* Nov. 23, 2021**

- (54) **BAG**
- (71) Applicant: **MARNA Inc.**, Tokyo (JP)
- (72) Inventor: **Minami Kikuta**, Tokyo (JP)
- (73) Assignee: **MARNA INC.**, Tokyo (JP)
- (\*\*) Term: **15 Years**

D768,380 S *	10/2016	Bertrand	.....	D3/232
D784,687 S *	4/2017	Miller	.....	D3/232
D798,593 S *	10/2017	McCoy	.....	D3/262
D802,441 S *	11/2017	Kikuta	.....	D9/703
D825,349 S *	8/2018	Kikuta	.....	D9/703

(Continued)

- (21) Appl. No.: **29/682,031**
- (22) Filed: **Mar. 1, 2019**

FOREIGN PATENT DOCUMENTS

JP D1583355 S 8/2017

(30) **Foreign Application Priority Data**

Sep. 4, 2018 (JP) ..... 2018-019270

- (51) **LOC (13) Cl.** ..... **03-01**
- (52) **U.S. Cl.**  
USPC ..... **D3/226; D3/232**
- (58) **Field of Classification Search**  
USPC ..... D3/232-233, 240-243, 245-247,  
D3/249-253  
CPC ..... A47D 13/025; A45F 3/005; A45F 3/14;  
A45F 4/02  
See application file for complete search history.

OTHER PUBLICATIONS

Office Action dated Mar. 26, 2019, issued in counterpart JP Application No. D2018-019270, with English machine translation. (4 pages).

*Primary Examiner* — Holly E Thurman  
(74) *Attorney, Agent, or Firm* — Westerman, Hattori, Daniels & Adrian, LLP

(57) **CLAIM**

The ornamental design for a bag, as shown and described.

**DESCRIPTION**

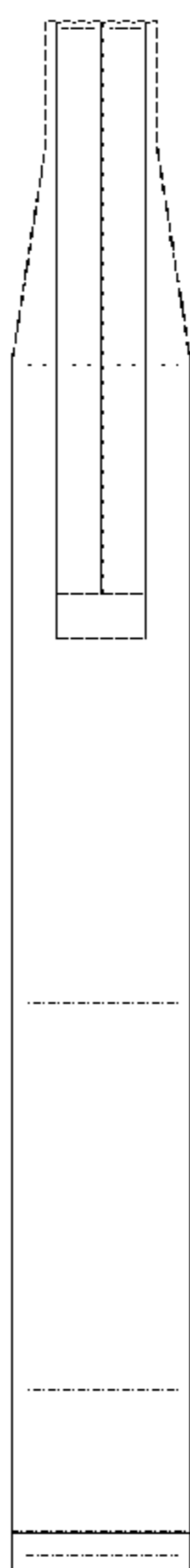
FIG. 1 is a front elevational view of a bag, showing my new design, the rear elevational view being a mirror image thereof;  
 FIG. 2 is a left side elevational view thereof, the right side elevational view being a mirror image thereof;  
 FIG. 3 is a top plan view thereof;  
 FIG. 4 is a bottom plan view thereof;  
 FIG. 5 is a front perspective view thereof;  
 FIG. 6 is a front elevational view thereof, showing the bag in a typical configuration for actual use, the rear elevational view being a mirror image thereof;  
 FIG. 7 is a left side elevational view thereof, the right side elevational view being a mirror image thereof;  
 FIG. 8 is a top plan view thereof; and,  
 FIG. 9 is a bottom plan view thereof.

(56) **References Cited**

U.S. PATENT DOCUMENTS

1,104,463 A *	7/1914	Wuest	.....	B65D 33/24 383/86
D120,867 S *	6/1940	Lyon	.....	D3/233
D121,159 S *	6/1940	Egerer	.....	D3/232
D170,080 S *	7/1953	Codish	.....	D3/232
5,187,823 A *	2/1993	Ferguson	.....	A45C 9/00 190/1
D591,041 S *	4/2009	Dickinson	.....	D3/232
D605,401 S *	12/2009	Mikanova	.....	D3/232
D608,089 S *	1/2010	McCoy	.....	D3/232
D653,849 S *	2/2012	Jariwala	.....	D3/232
D708,806 S *	7/2014	Nagoya	.....	D32/40
D731,787 S *	6/2015	Sullivan-Stevens	.....	D3/232
D740,022 S *	10/2015	Chadwell	.....	D3/232

**1 Claim, 9 Drawing Sheets**



(56)

**References Cited**

U.S. PATENT DOCUMENTS

D850,282 S	*	6/2019	Kikuta .....	D9/703
D851,918 S	*	6/2019	Kikuta .....	D3/217
D891,096 S	*	7/2020	Kikuta .....	D3/233

\* cited by examiner

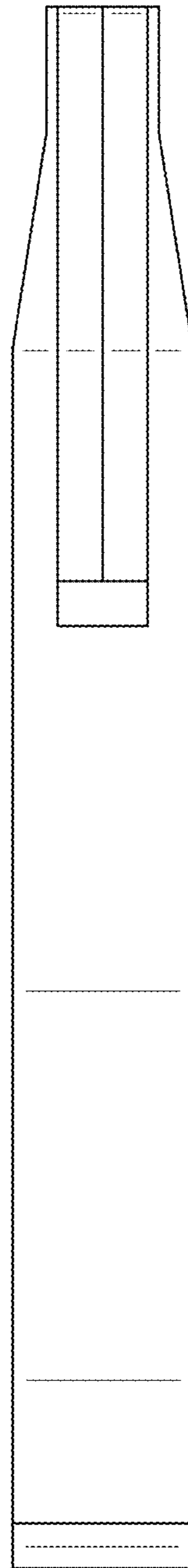


FIG. 1



FIG. 2



FIG. 3

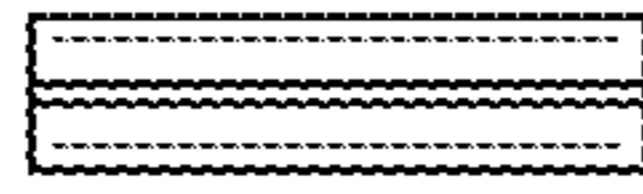


FIG. 4

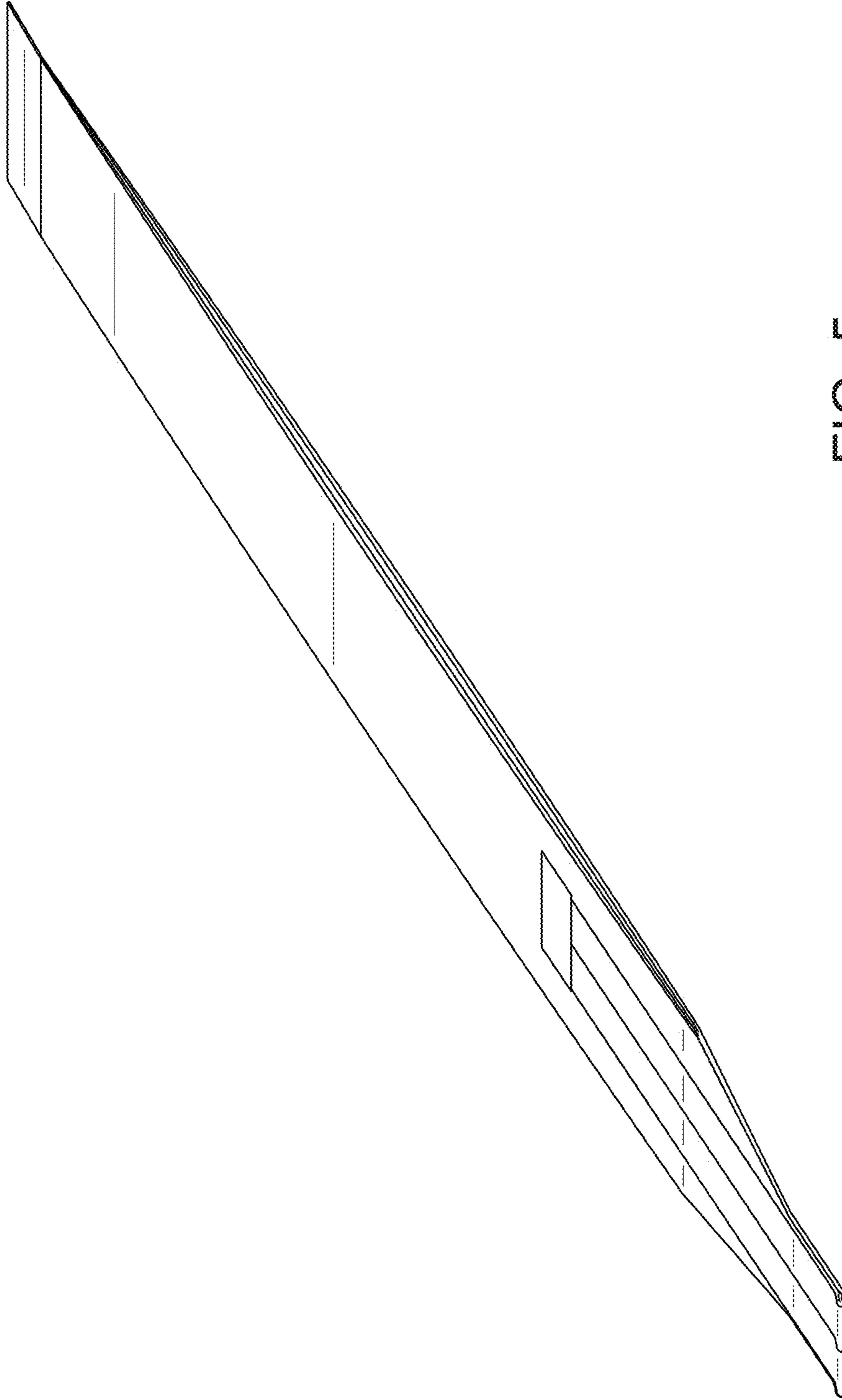


FIG. 5

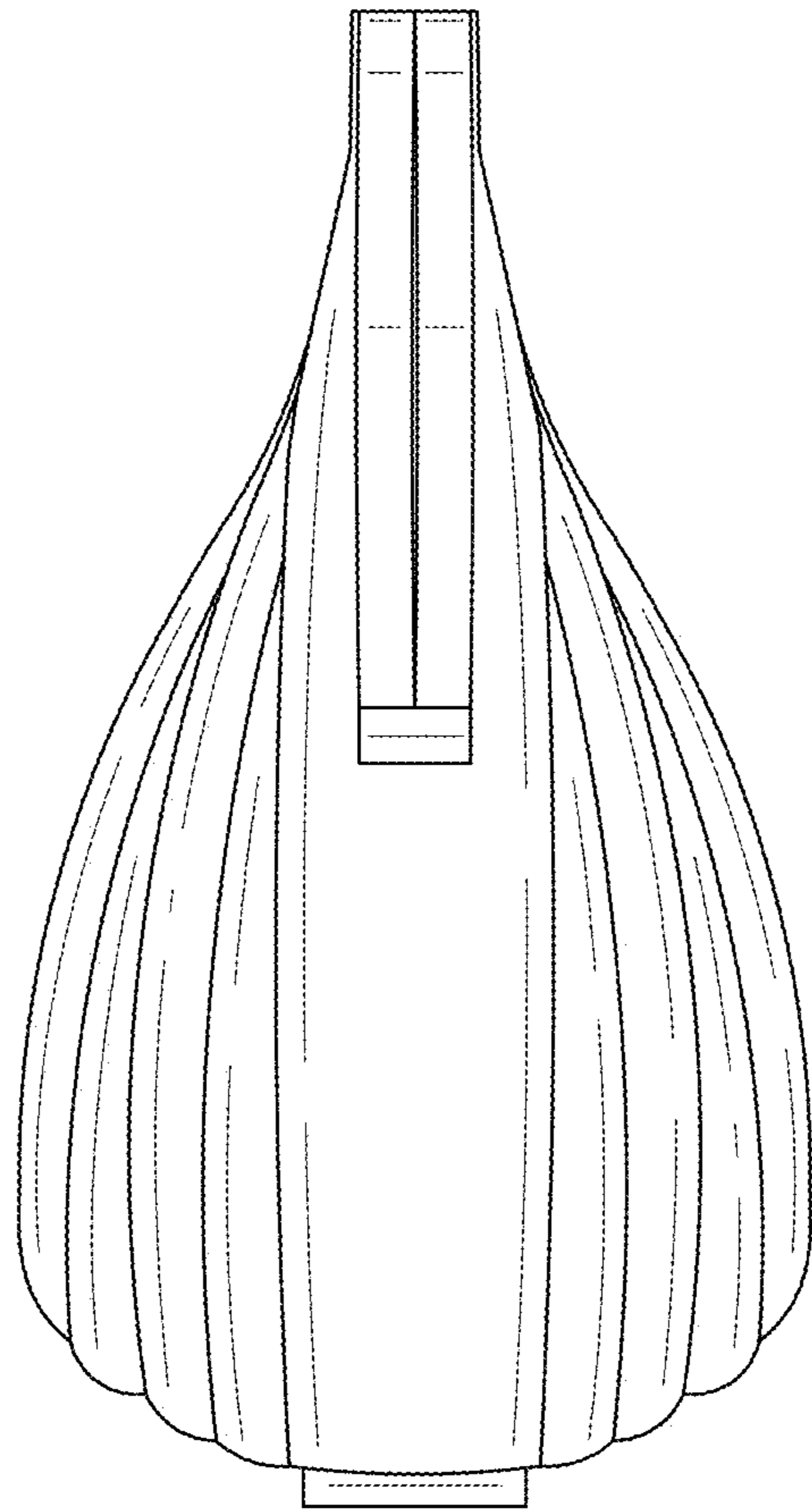


FIG. 6



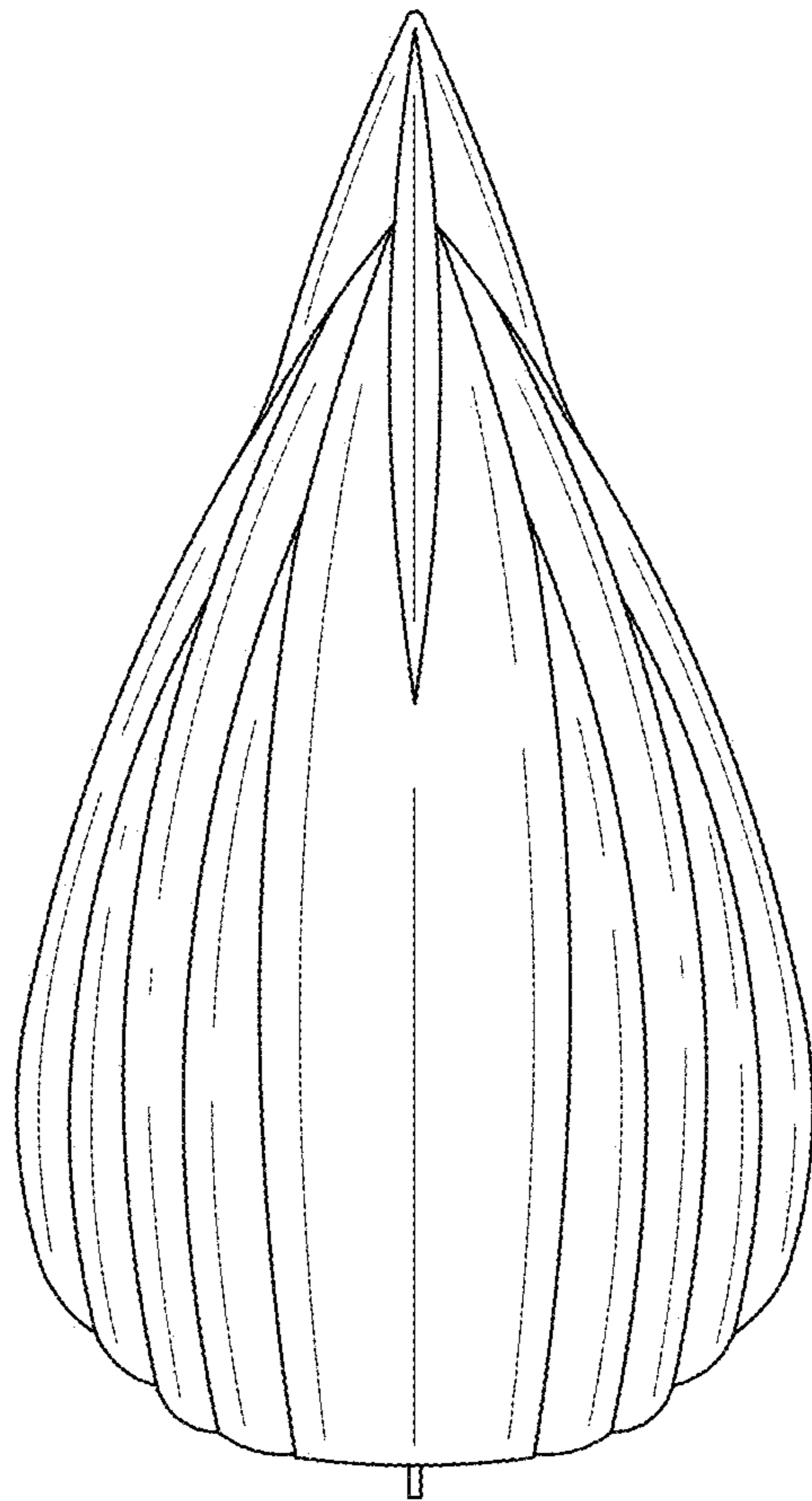


FIG. 7

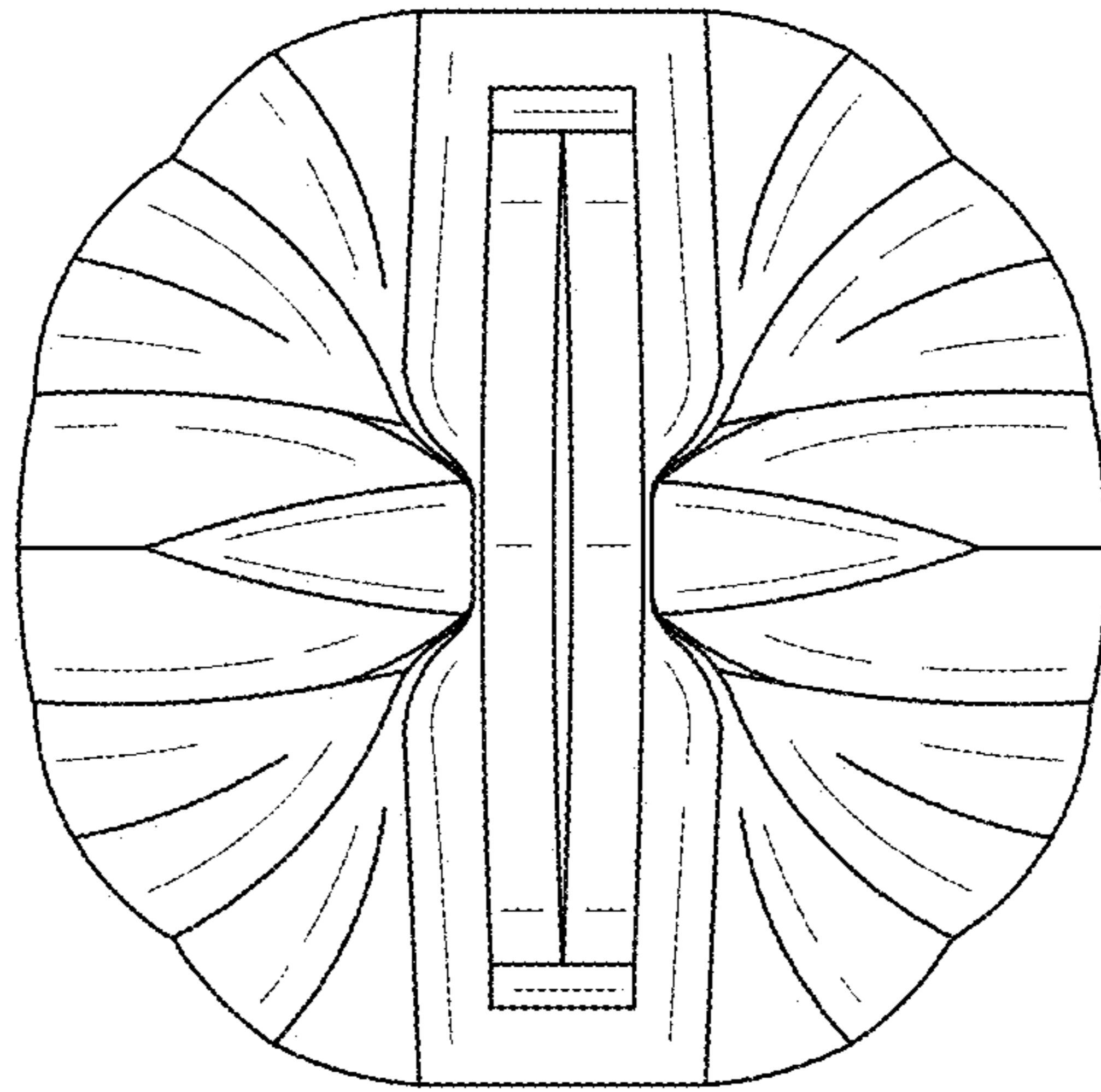


FIG. 8

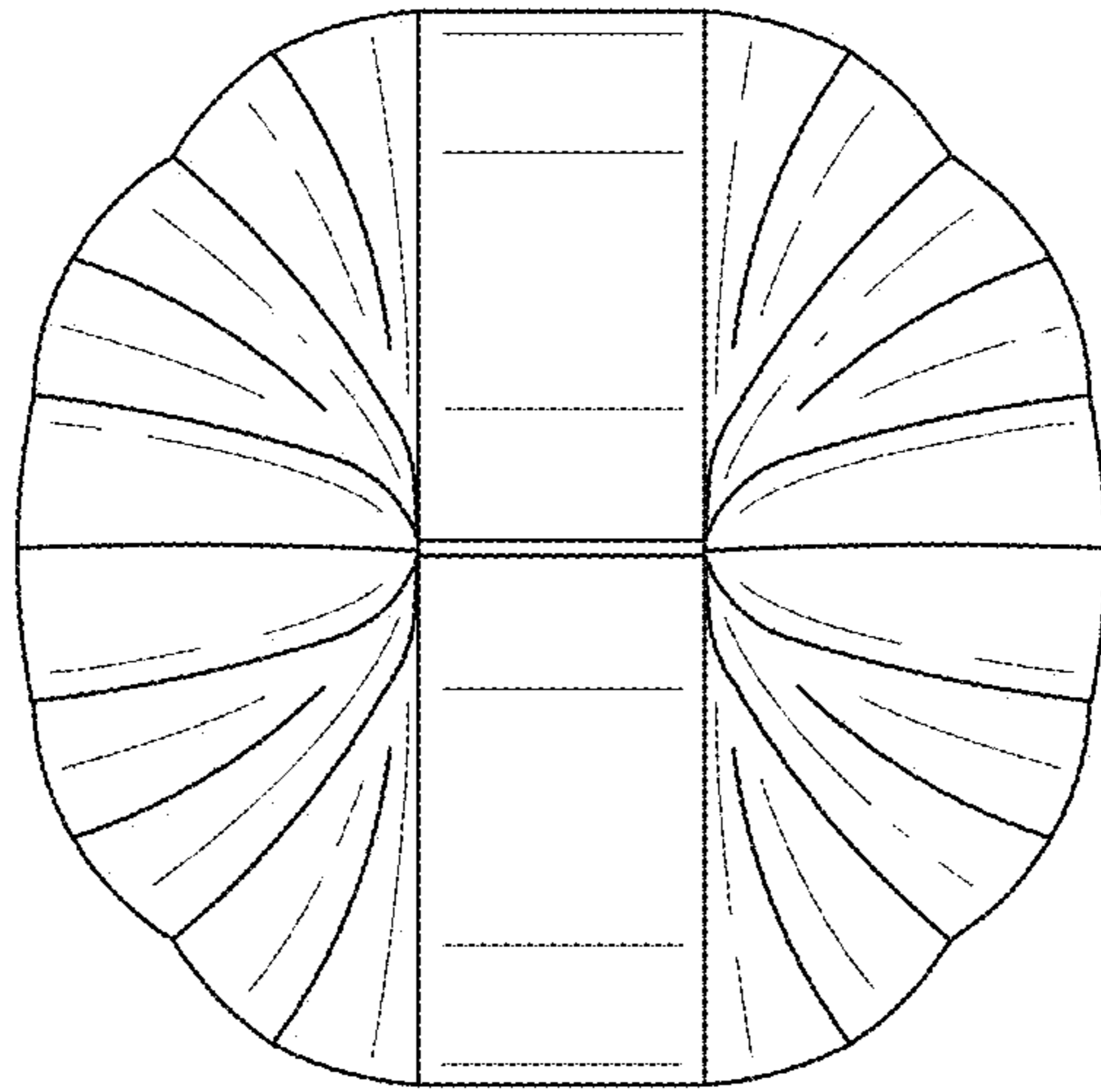


FIG. 9