



US00D936355S

(12) **United States Design Patent** (10) **Patent No.:** **US D936,355 S**  
**Webb** (45) **Date of Patent:** **\*\* Nov. 23, 2021**

(54) **BAG**  
(71) Applicant: **A7 Fitness Inc.**, Woodstock, GA (US)  
(72) Inventor: **Jasen L. Webb**, Woodstock, GA (US)  
(73) Assignee: **A7 Fitness Inc.**, Woodstock, GA (US)  
(\*\*) Term: **15 Years**

D881,554 S \* 4/2020 Bellofatto, Jr. .... D3/217  
D898,350 S \* 10/2020 Peng ..... D3/217  
2003/0024960 A1 2/2003 Greenstein et al.  
2003/0111370 A1 6/2003 Sanderson et al.  
2014/0158737 A1 6/2014 Koutouras et al.  
2015/0108194 A1 4/2015 Pino  
2019/0208896 A1\* 7/2019 Schmidt ..... A45F 3/04  
2020/0113318 A1\* 4/2020 Hall ..... H04N 1/00344  
2021/0068519 A1\* 3/2021 Rogers ..... A45C 13/103  
2021/0212442 A1 7/2021 Webb

(21) Appl. No.: **29/720,189**  
(22) Filed: **Jan. 10, 2020**  
(51) **LOC (13) Cl.** ..... **03-01**  
(52) **U.S. Cl.**  
USPC ..... **D3/217**  
(58) **Field of Classification Search**  
USPC ..... D3/214, 216, 217, 232, 233, 242–246,  
D3/273, 289, 290, 318, 321, 322, 323  
CPC .. A45F 3/04; A45F 3/042; A45F 3/047; A45F  
3/08; A45F 3/10; A45F 3/14; A45C  
2003/007  
See application file for complete search history.

**OTHER PUBLICATIONS**

U BAG, posted at a7.co, earliest review dated Dec. 14, 2019, retrieved May 21, 2021, online, URL: [https://a7.co/products/u-bag?gclid=CjwKCAjwTJ2FBhAuEiwAIKu19iNCrycWMQGMAADGDt0ZXa4Px1sH98ynjomWhLgPd9T9NXIrGqv6FRoCN3wOAvD\\_BwE](https://a7.co/products/u-bag?gclid=CjwKCAjwTJ2FBhAuEiwAIKu19iNCrycWMQGMAADGDt0ZXa4Px1sH98ynjomWhLgPd9T9NXIrGqv6FRoCN3wOAvD_BwE) (Year: 2019).  
Office Action for U.S. Appl. No. 16/937,172, dated May 19, 2021, Webb, "Exercise Bag", 9 Pages.

\* cited by examiner

*Primary Examiner* — Lilyana Bekic  
*Assistant Examiner* — Mary Shannon Malley  
(74) *Attorney, Agent, or Firm* — Lee & Hayes, P.C.

(56) **References Cited**

**U.S. PATENT DOCUMENTS**

5,540,364 A 7/1996 Krieger et al.  
5,725,351 A 3/1998 Guibert et al.  
5,934,533 A 8/1999 Callanan  
6,010,051 A 1/2000 Callanan  
D443,758 S \* 6/2001 Stylianou ..... D3/216  
D455,259 S 4/2002 Kelly-Pollet  
D479,648 S \* 9/2003 De Lathouwer ..... D3/216  
D511,620 S \* 11/2005 Van Himbeeck ..... D3/217  
D548,455 S \* 8/2007 Aliberti ..... D3/216  
7,322,476 B2 1/2008 Witherspoon  
D706,534 S \* 6/2014 Zwetzig ..... D3/216  
D708,845 S \* 7/2014 Taylor ..... D3/216  
8,960,513 B2 2/2015 Crandall  
9,027,813 B2 5/2015 Murdoch et al.  
9,074,840 B2 7/2015 Andersen  
D748,918 S \* 2/2016 Majeau ..... D3/318  
D874,817 S \* 2/2020 Margossian ..... D3/217

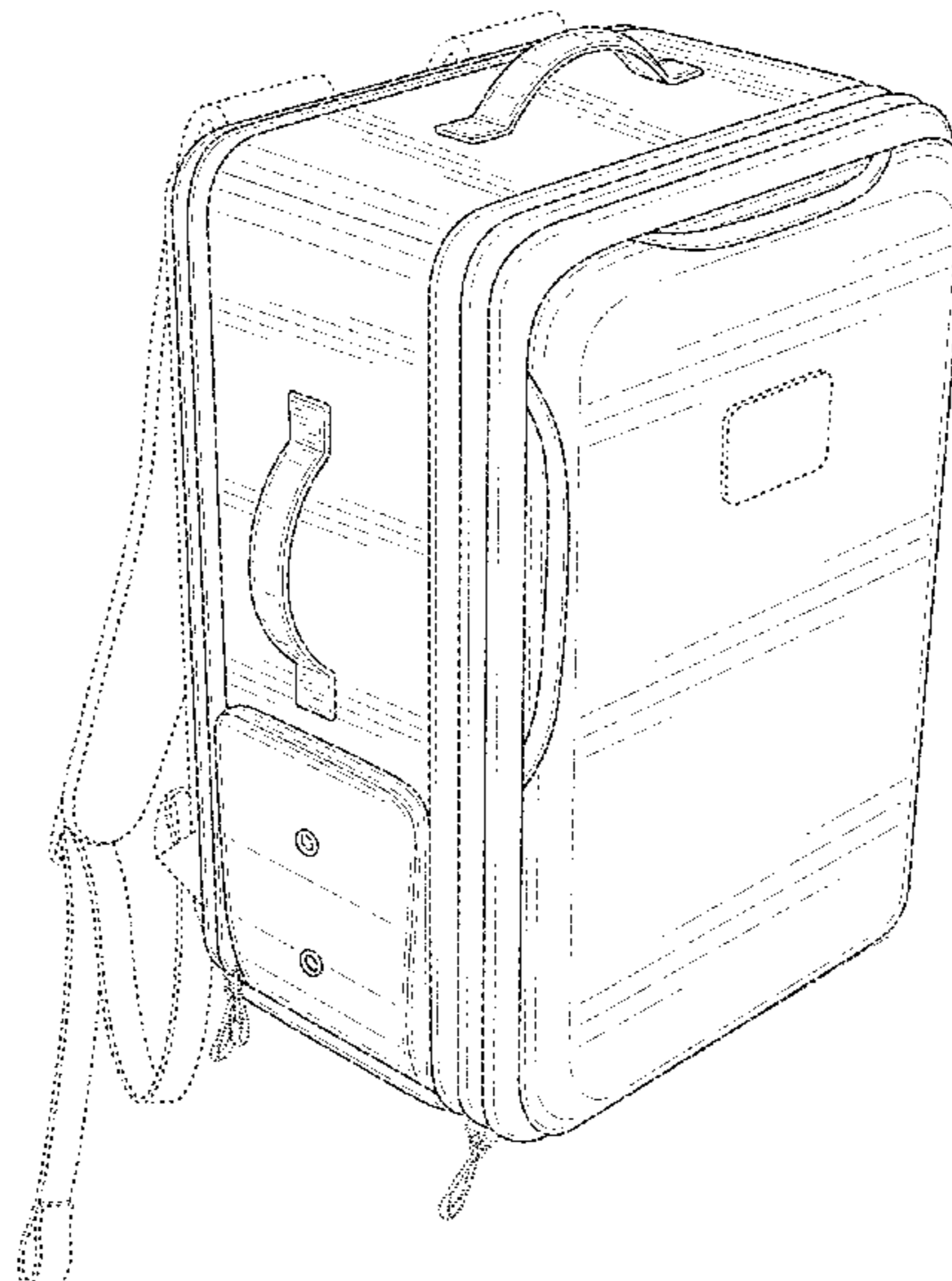
(57) **CLAIM**

The ornamental design for a bag, as shown and described.

**DESCRIPTION**

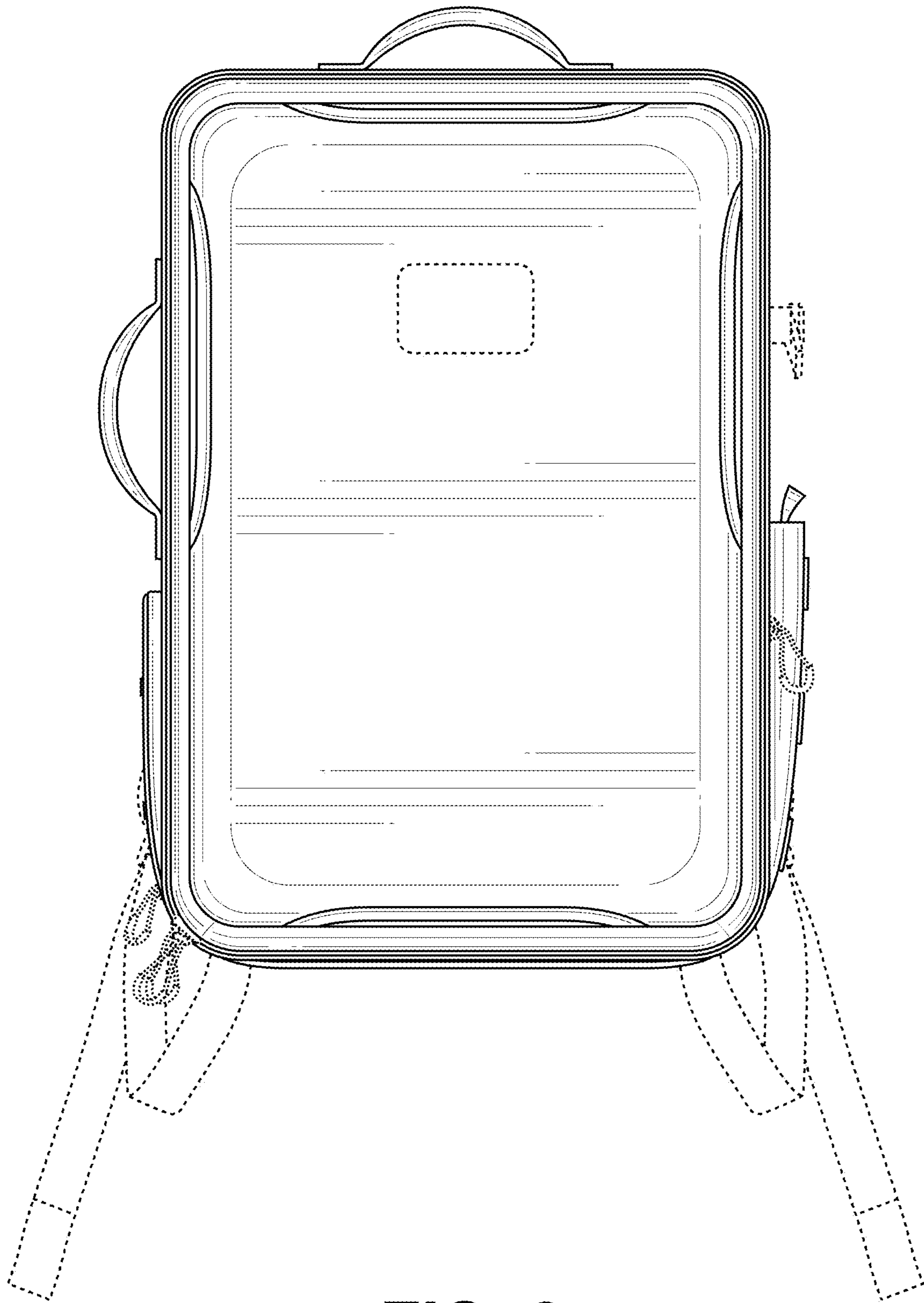
FIG. 1 is a top, front, left-side perspective view of a bag;  
FIG. 2 is a front view thereof;  
FIG. 3 is a back view thereof;  
FIG. 4 is a right-side view thereof;  
FIG. 5 is a left-side view thereof;  
FIG. 6 is a top view thereof; and,  
FIG. 7 is a bottom view thereof.  
The dashed broken lines depict portions of the bag that form no part of the claimed design.

**1 Claim, 7 Drawing Sheets**

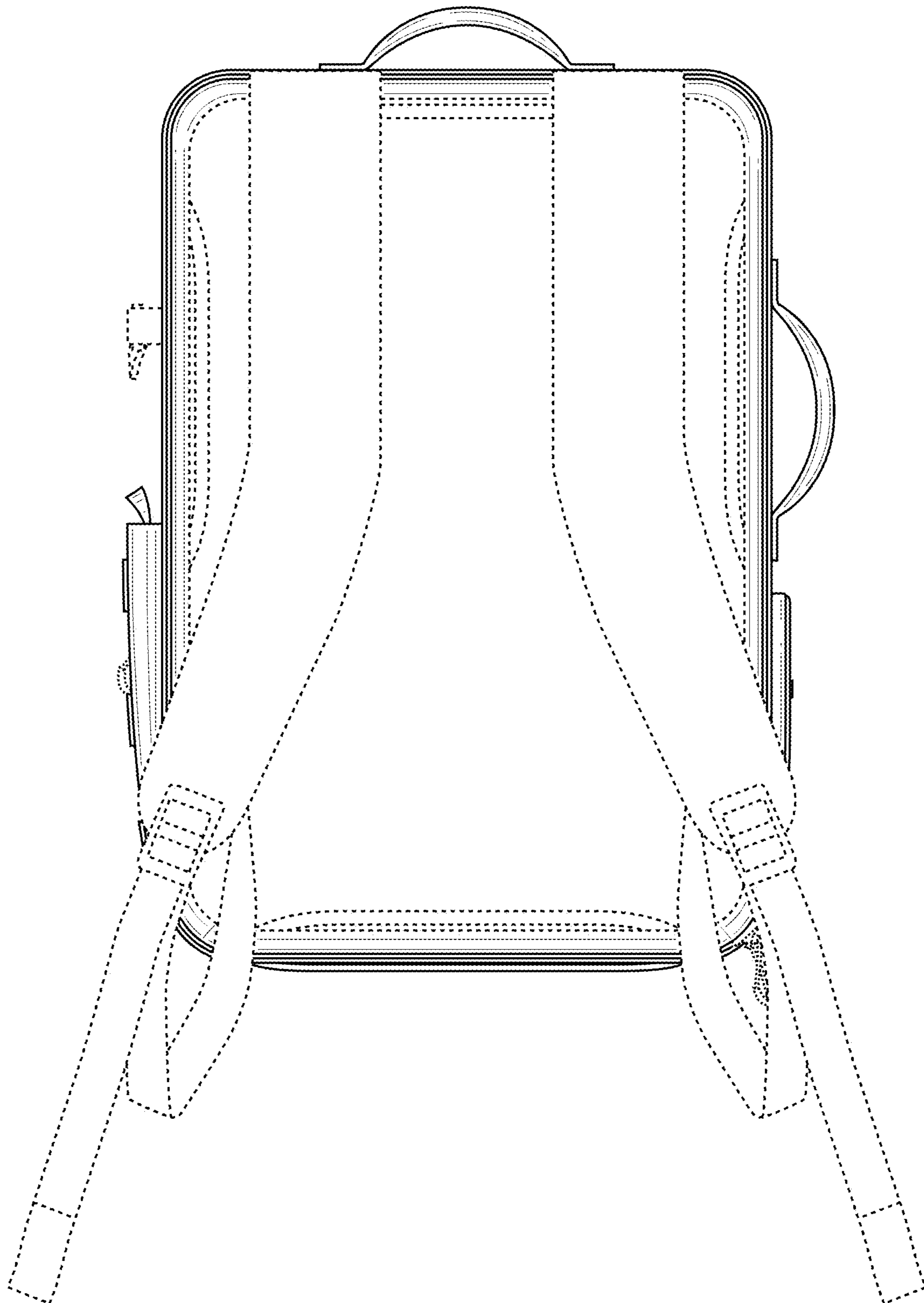




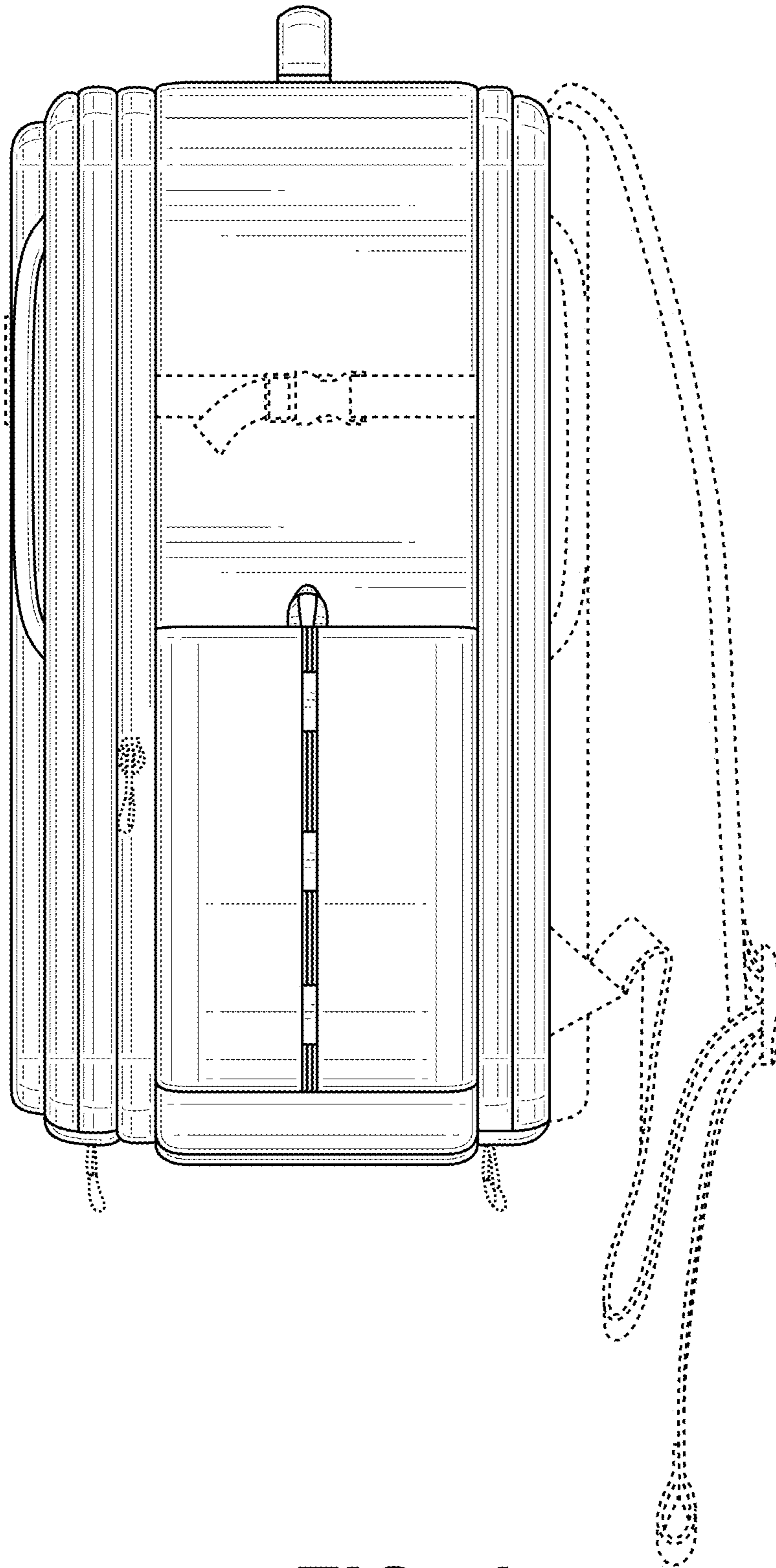
**FIG. 1**



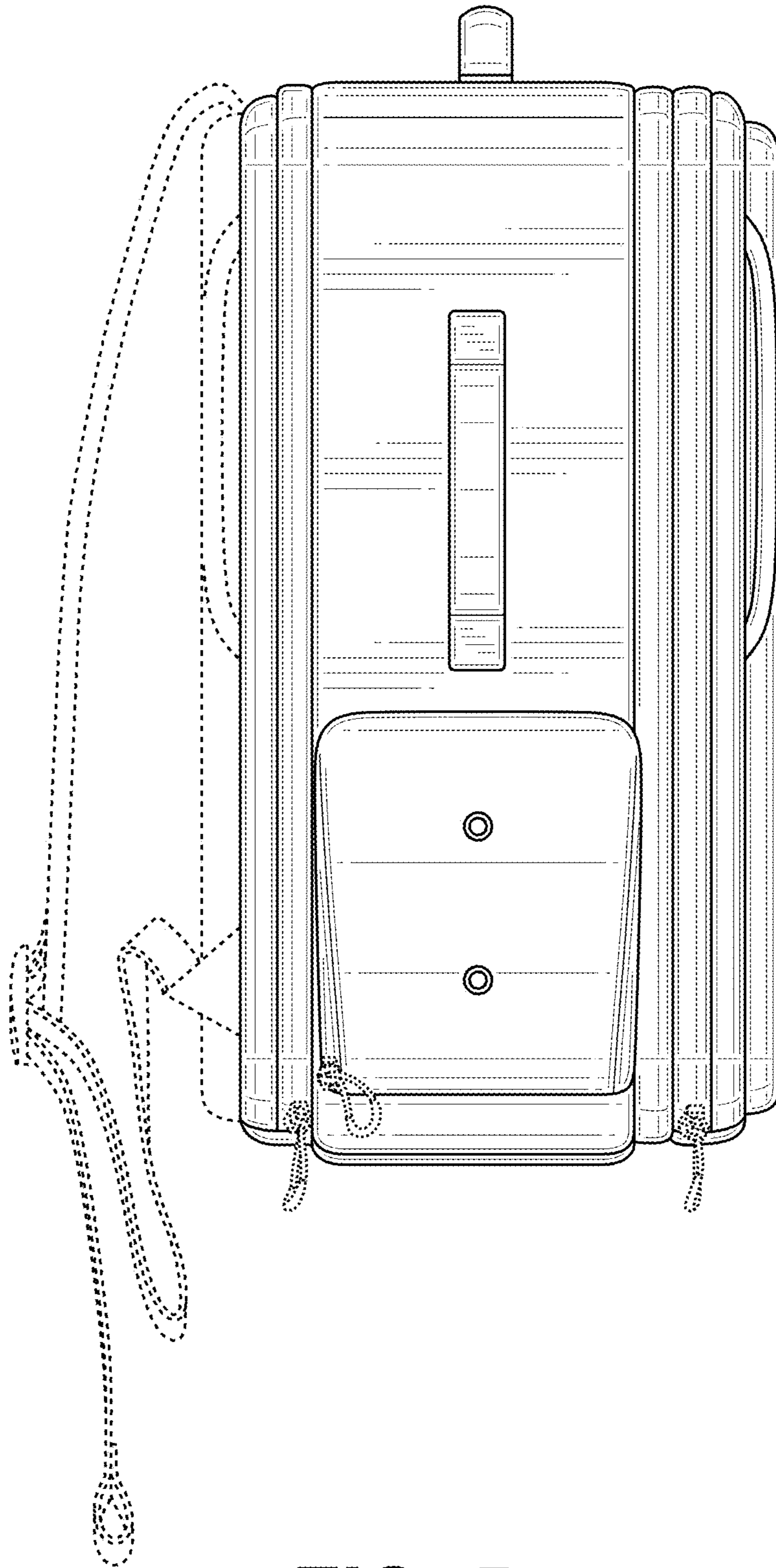
**FIG. 2**



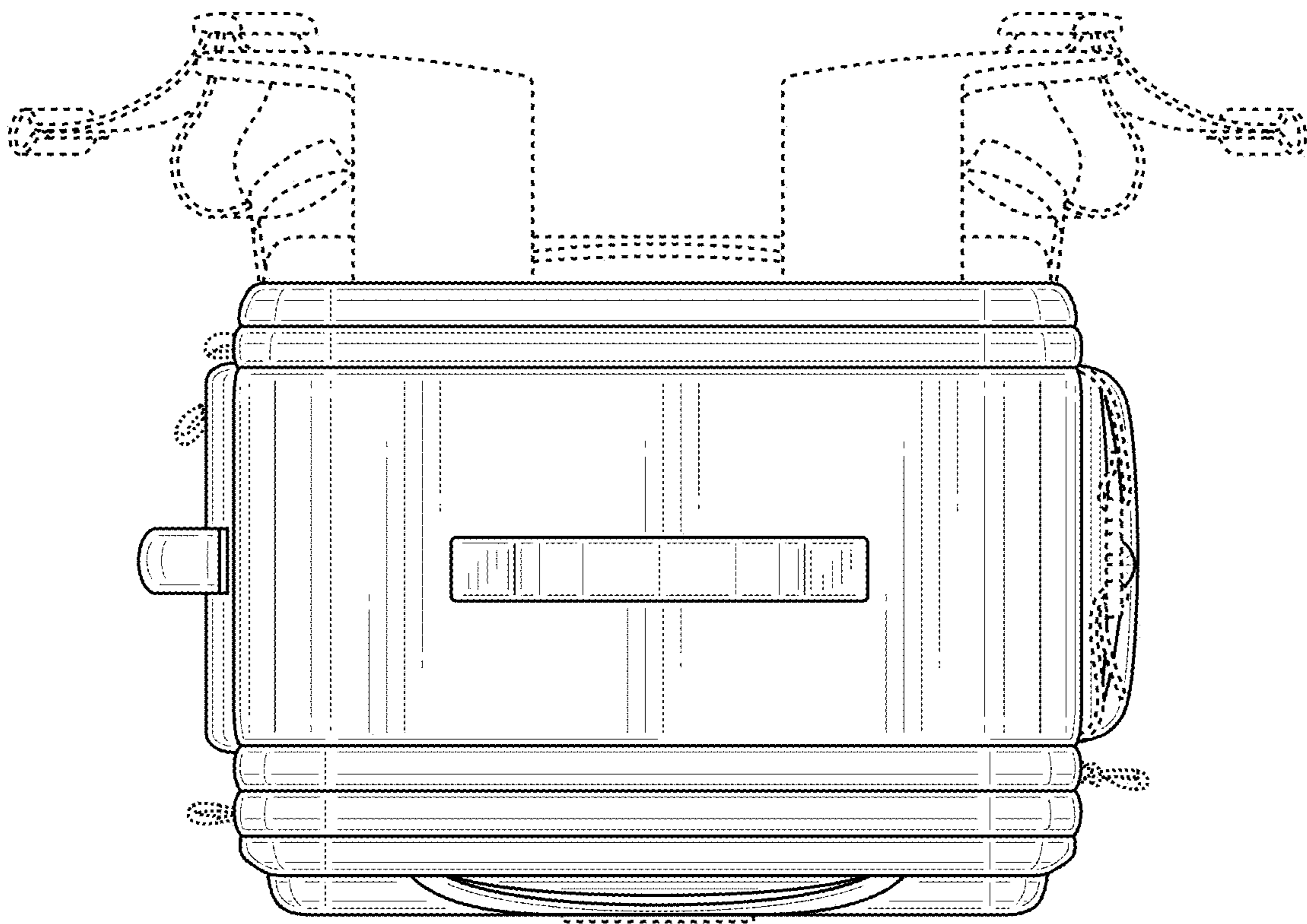
**FIG. 3**



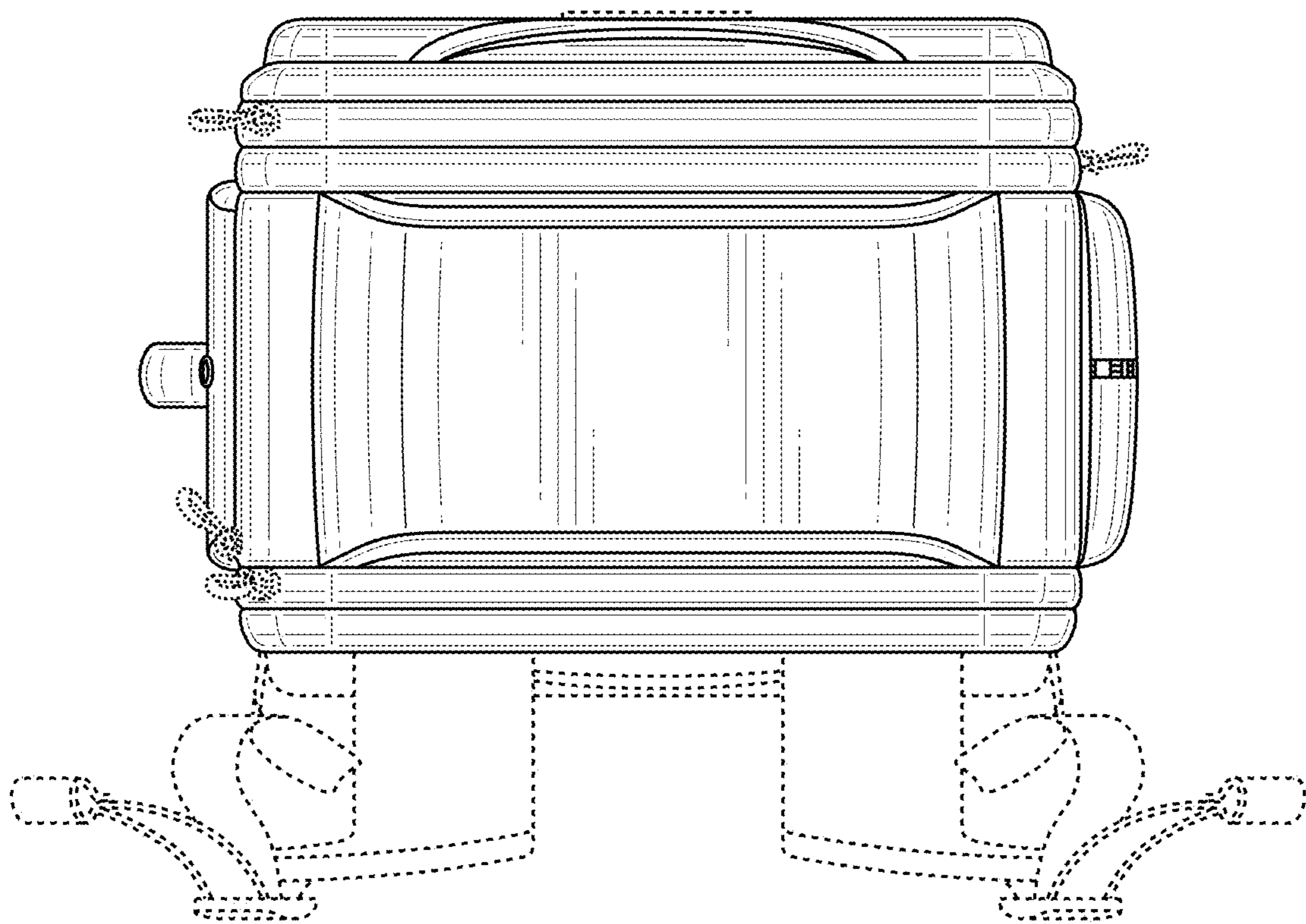
**FIG. 4**



**FIG. 5**



**FIG. 6**



**FIG. 7**