



US00D936353S

(12) **United States Design Patent**  
**Nelson**

(10) **Patent No.:** **US D936,353 S**

(45) **Date of Patent:** **\*\* \*Nov. 23, 2021**

(54) **WALKING AID ATTACHMENT**  
(71) Applicant: **Craig Edward Nelson**, Seattle, WA  
(US)  
(72) Inventor: **Craig Edward Nelson**, Seattle, WA  
(US)  
(\* ) Notice: This patent is subject to a terminal disclaimer.

2,970,630 A \* 2/1961 Larsen ..... A45B 9/04  
248/532  
3,170,475 A \* 2/1965 Forbes ..... A45B 9/04  
135/80  
3,304,035 A \* 2/1967 Davis ..... A45B 11/00  
248/516  
4,434,808 A \* 3/1984 Burak ..... A61H 3/0288  
135/70  
4,450,850 A \* 5/1984 McKenna ..... A61H 3/0288  
135/78  
4,809,724 A \* 3/1989 Fuser ..... A47C 7/664  
135/16

(\*\*) Term: **15 Years**

(Continued)

Primary Examiner — Steven J Czyz

(21) Appl. No.: **29/741,808**

(57) **CLAIM**

(22) Filed: **Jul. 15, 2020**

I claim the ornamental design for a walking aid attachment, as shown and described.

(51) **LOC (13) Cl.** ..... **03-03**

(52) **U.S. Cl.**  
USPC ..... **D3/10**

**DESCRIPTION**

(58) **Field of Classification Search**  
USPC ..... D3/5, 6, 7, 8, 9, 10, 17; D8/3, 70, 355,  
D8/363, 373, 382, 394; D22/108  
CPC .... A45B 1/00; A45B 1/02; A45B 3/00; A45B  
3/14; A45B 9/00; A45B 2009/002; A45B  
9/04; A61H 3/04; A61H 3/02; A61H  
2003/0222; A61H 3/0288  
See application file for complete search history.

FIG. 1 is a top perspective view of the walking aid attachment  
FIG. 2 is a bottom perspective view thereof  
FIG. 3 is a front view thereof  
FIG. 4 is a back view thereof  
FIG. 5 is a left-side view thereof  
FIG. 6 is a right-side view thereof  
FIG. 7 is a top view thereof  
FIG. 8 is a bottom view thereof  
FIG. 9 is a front view thereof, with an invention component in a second position; and,  
FIG. 10 is a front view thereof, with an invention component in a third position.

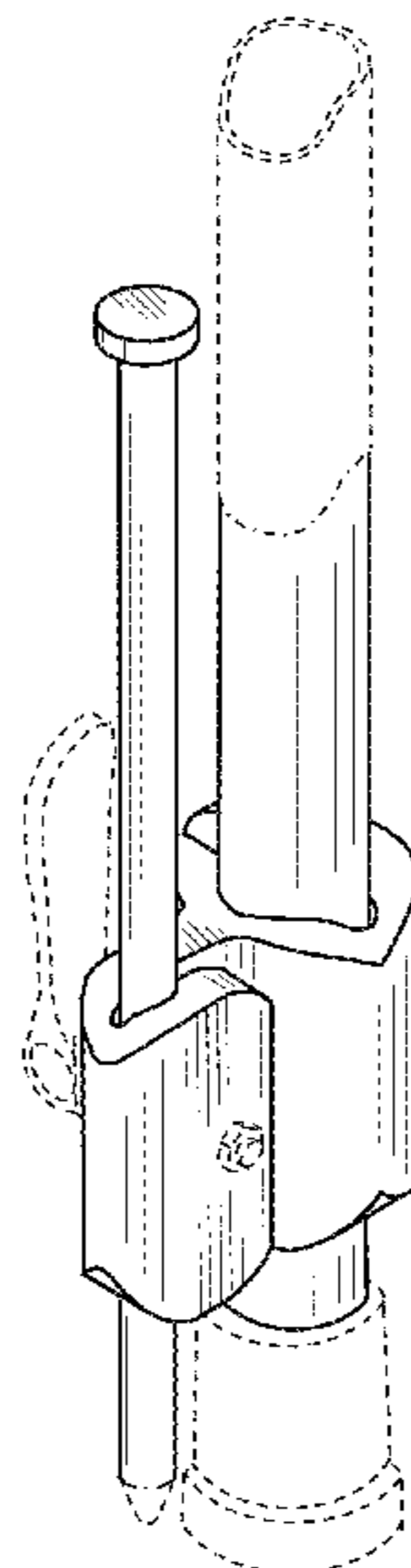
(56) **References Cited**

U.S. PATENT DOCUMENTS

1,304,978 A \* 5/1919 Herrold et al. .... A61H 3/0288  
135/70  
1,314,000 A \* 8/1919 Lansky et al. .... A61H 3/0288  
135/80  
1,518,382 A \* 12/1924 Beecroft ..... A61H 3/0288  
135/80  
1,523,703 A \* 1/1925 Morfitt ..... A61H 3/0288  
135/80  
1,564,109 A \* 12/1925 Ponsolle ..... E04H 12/2276  
52/297  
D182,146 S \* 2/1958 Sharp et al. .... D22/108

The dash-dash-dash broken lines depict portions of the article that form no part of the claimed design.  
The dot-dash-dot lines indicate the boundary of the claim and form no part of the claimed design.  
Shading lines within the figures are for the purpose of illustrating the walking aid attachment's shape and are not features of the design.

**1 Claim, 5 Drawing Sheets**



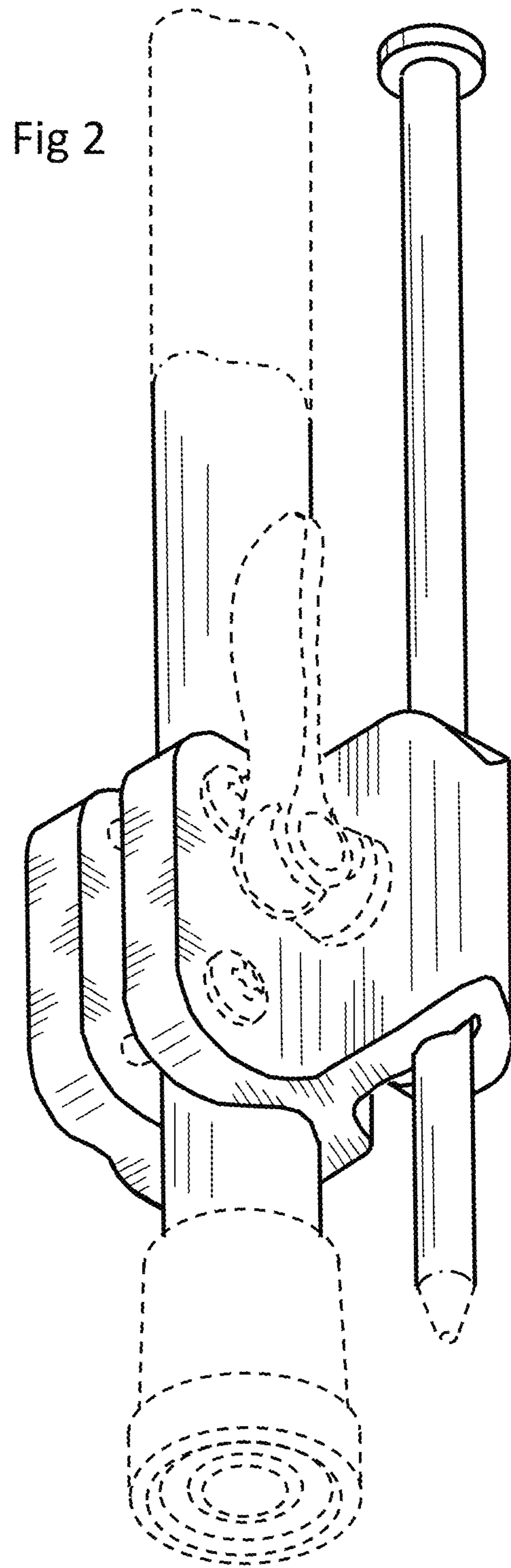
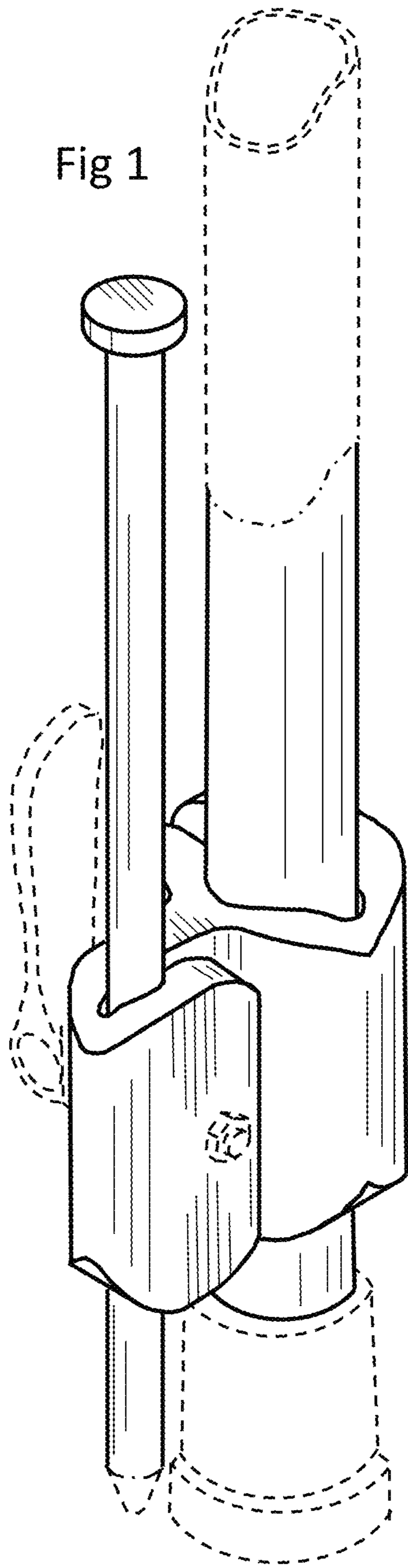
(56)

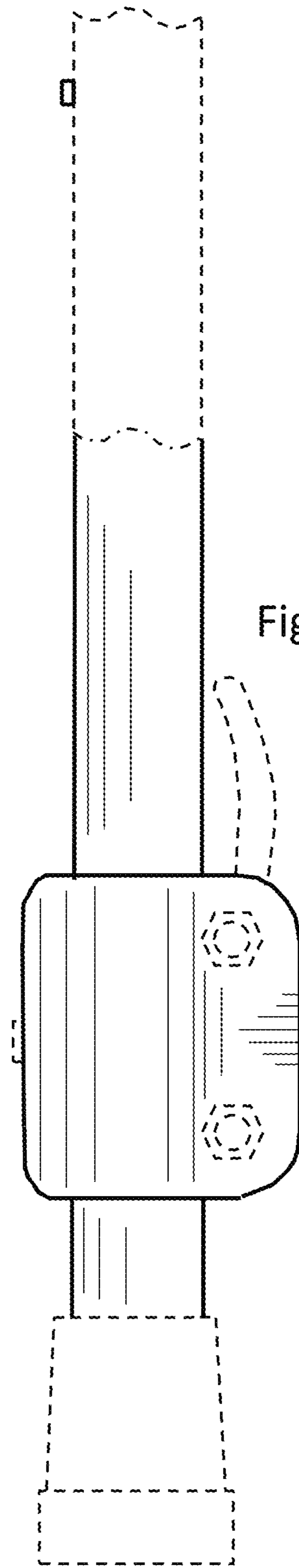
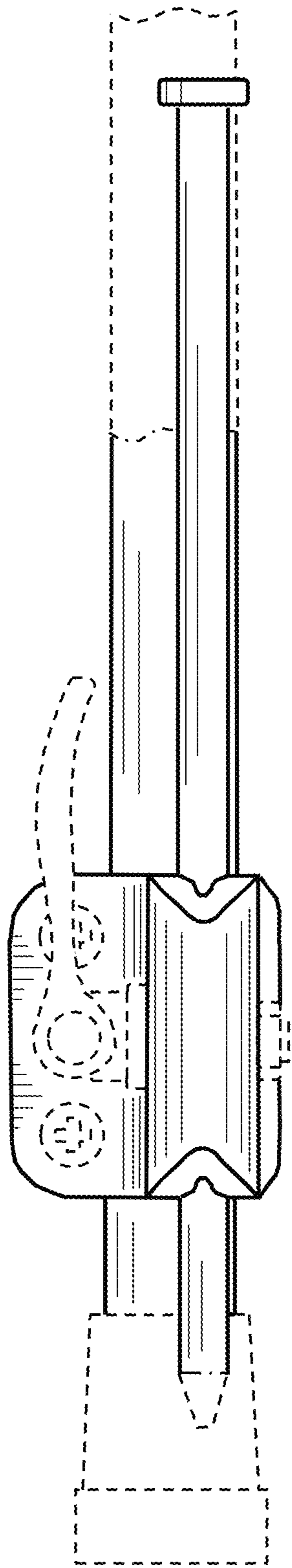
References Cited

U.S. PATENT DOCUMENTS

4,917,126 A *	4/1990	Ellmore	A61H 3/02	7,293,827 B2 *	11/2007	Schrader	A45B 3/00
			135/69				135/66
D351,775 S *	10/1994	Wedler	D8/70	7,398,791 B2 *	7/2008	Tucker	A45B 3/00
D351,977 S *	11/1994	Snoop	D8/70				135/65
D356,901 S *	4/1995	Schoenig	D6/681.1	D609,494 S *	2/2010	Jenkins, Sr.	D3/10
D386,323 S *	11/1997	Davis	D3/10	D632,069 S *	2/2011	Thiessens	D3/7
D389,334 S *	1/1998	Attridge	D3/10	D650,263 S *	12/2011	Barrese	D8/376
D415,239 S *	10/1999	Fell	D22/108	D654,552 S *	2/2012	Wu	D22/108
5,961,012 A *	10/1999	Bucher	A47G 25/82	D655,531 S *	3/2012	Gharst	D3/10
			223/118	8,141,839 B2 *	3/2012	Buchner	A63B 55/408
6,082,157 A *	7/2000	Boyce	A45B 3/00				248/516
			109/23	D657,840 S *	4/2012	Prieto	D22/108
D433,224 S *	11/2000	Cochran, Jr.	D3/10	D727,830 S *	4/2015	Arboix	D12/400
6,182,877 B1 *	2/2001	Rolfe	A45B 1/00	9,103,090 B2 *	8/2015	Bushore	E02D 27/42
			135/66	9,107,482 B1 *	8/2015	Boelter	A45B 3/14
6,216,713 B1 *	4/2001	Kennan	A45B 9/04	D739,710 S *	9/2015	Bukovitz	D8/355
			135/77	D740,543 S *	10/2015	Winters	D3/5
D454,479 S *	3/2002	Kolpin	D8/349	D759,956 S *	6/2016	McQuaid	D3/10
6,550,490 B1 *	4/2003	Morton	A45B 3/00	D764,257 S *	8/2016	Gastelum	D8/355
			135/65	9,476,541 B1 *	10/2016	Kastner	A45B 17/00
D474,012 S *	5/2003	Beltran	D3/10	D808,693 S *	1/2018	Belitz	D6/682.5
6,557,571 B1 *	5/2003	Schultz	A61H 3/02	D809,774 S *	2/2018	Brady	D3/10
			135/114	D828,058 S *	9/2018	Khanicheh	D6/681
				D834,403 S *	11/2018	Mercieca	D8/382
				D860,628 S *	9/2019	Hu	D3/10
				10,413,026 B1 *	9/2019	Grivna	F16M 13/02
				D899,072 S *	10/2020	Nelson	D3/10

\* cited by examiner





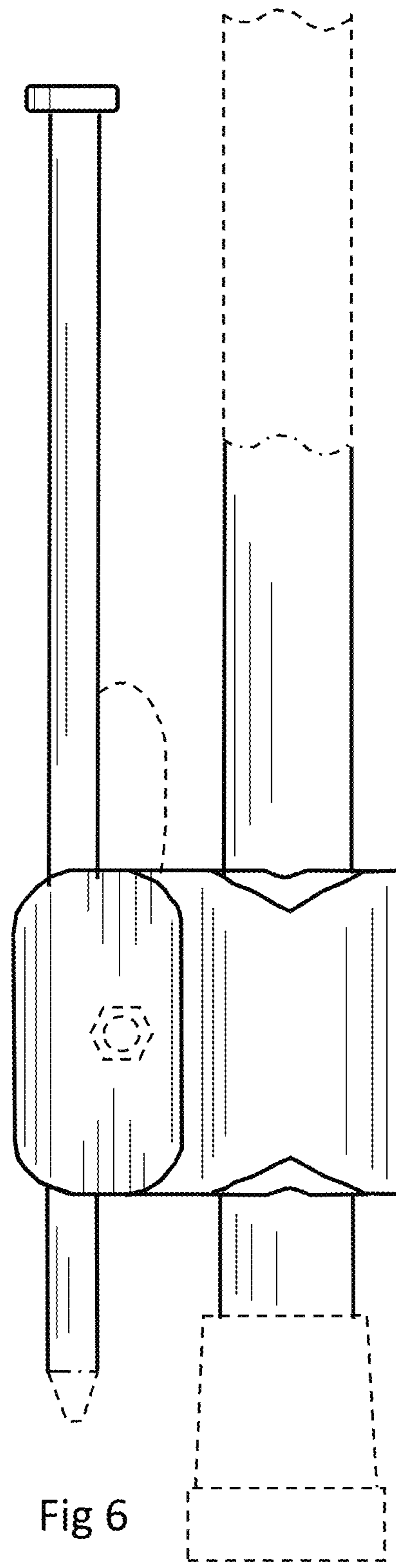
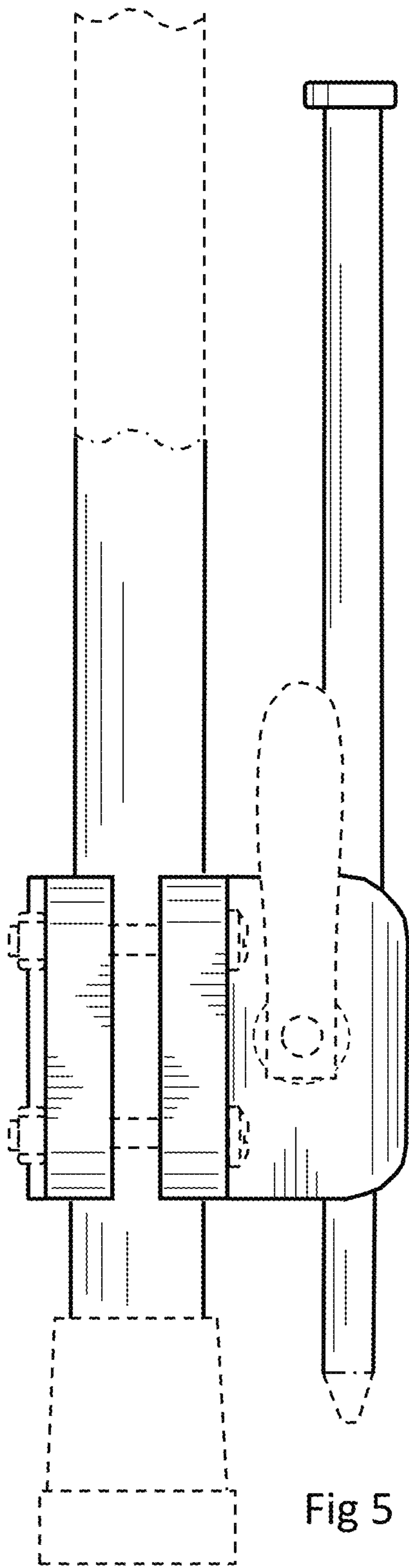


Fig 7

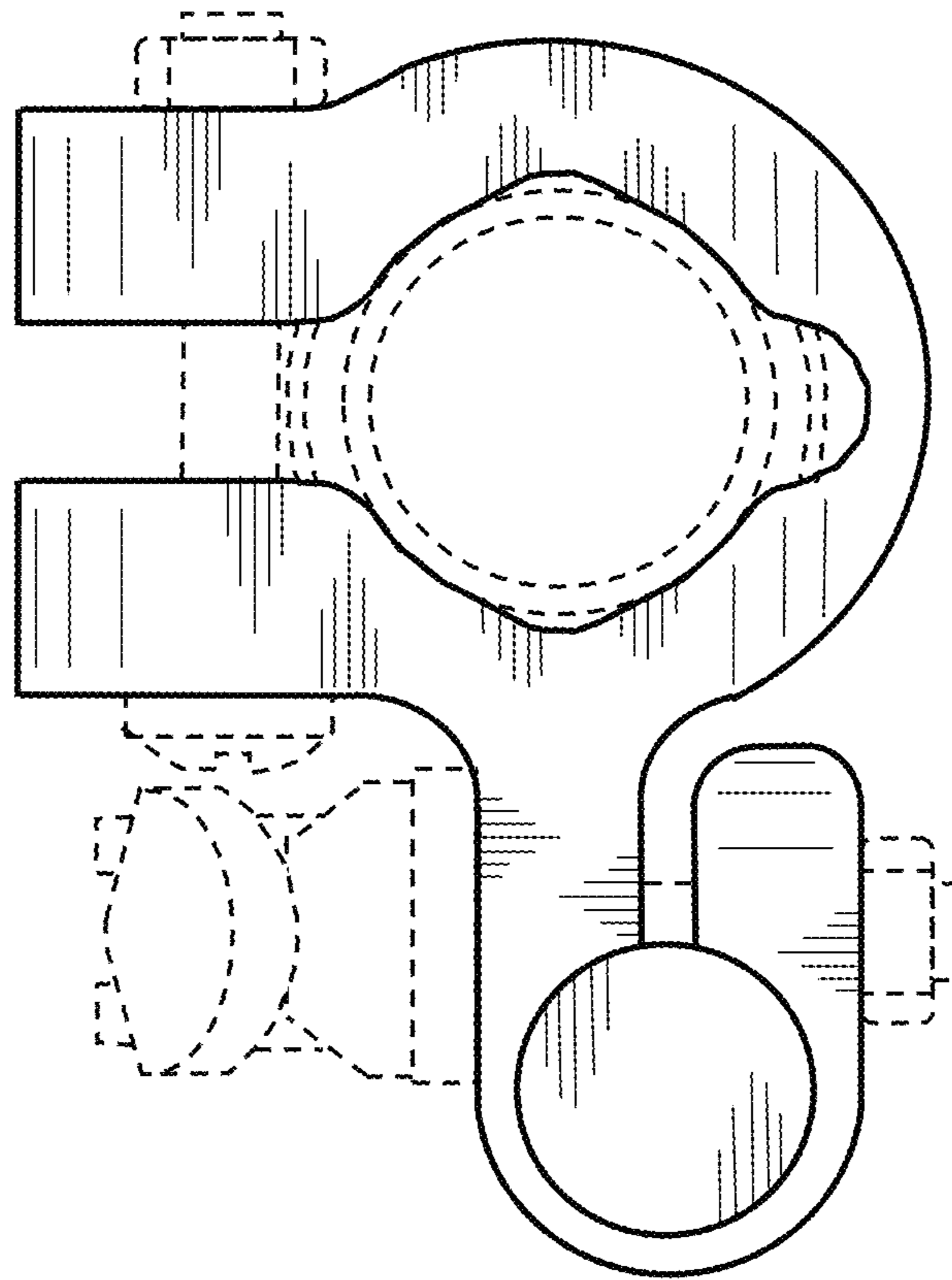
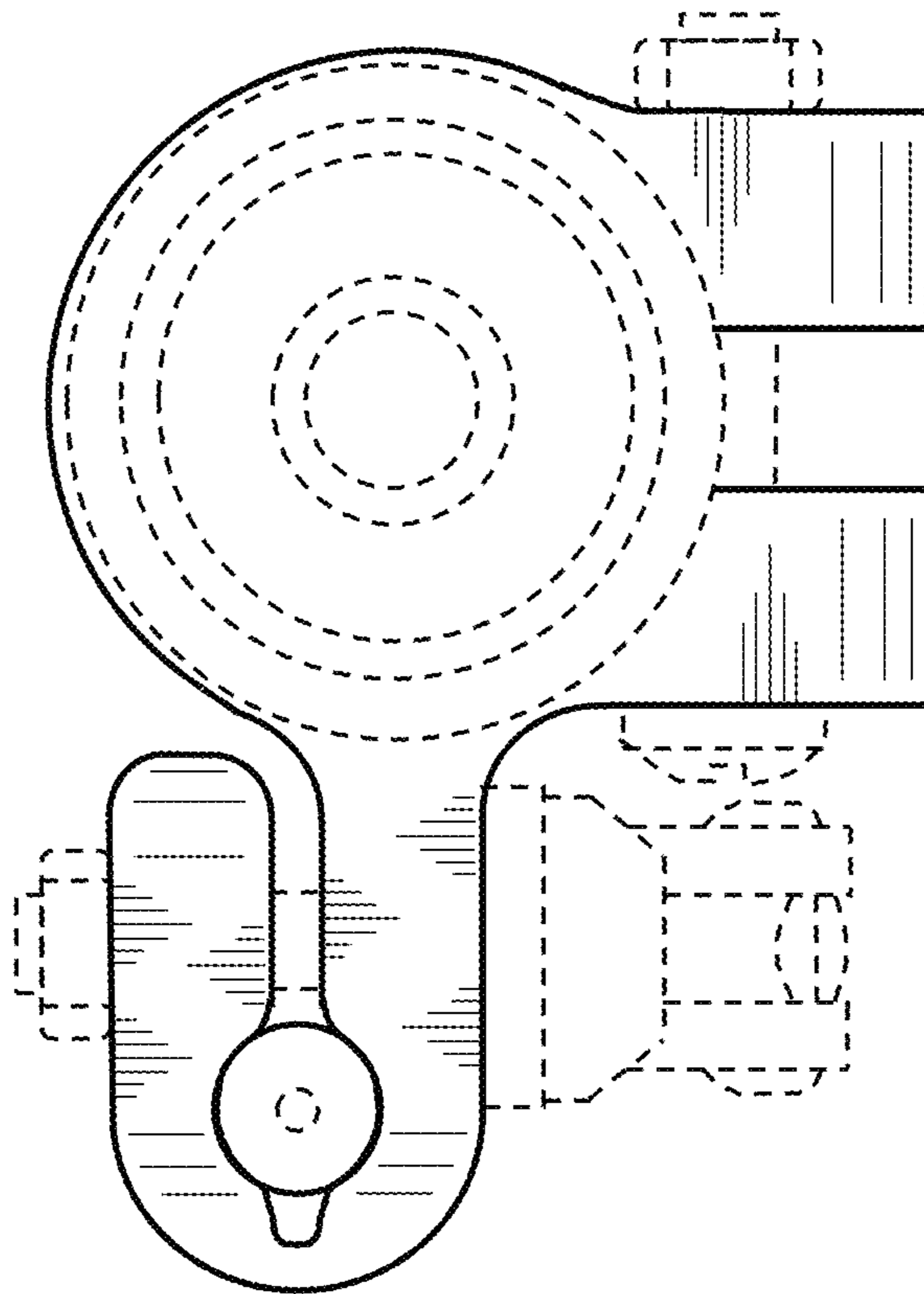


Fig 8



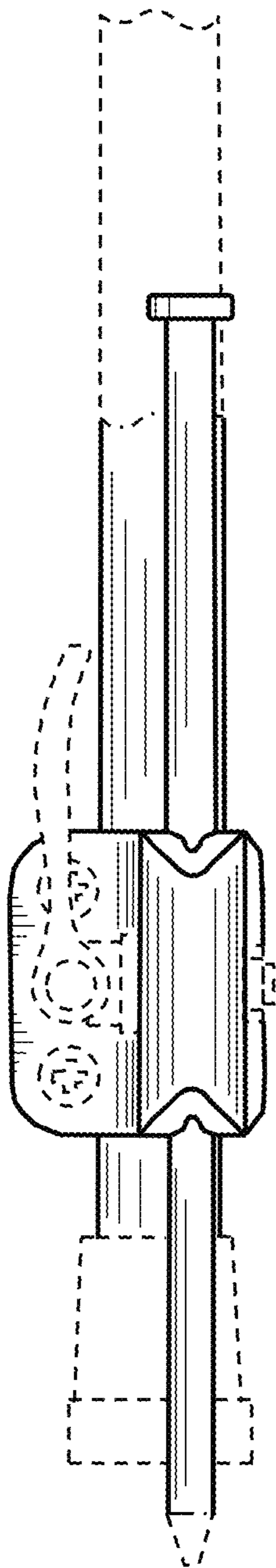


Fig 9

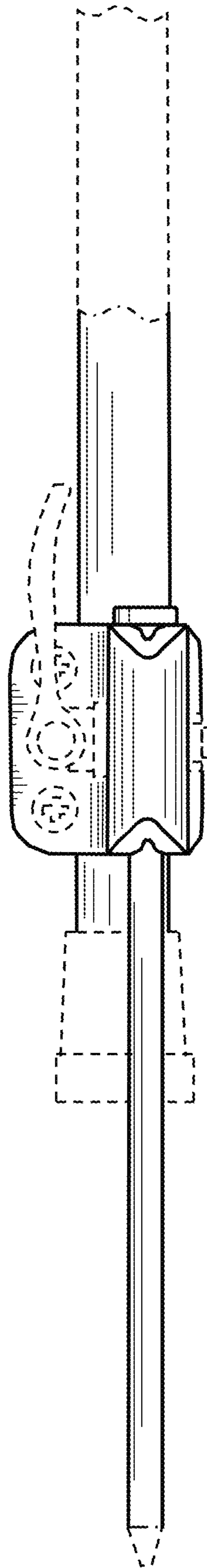


Fig 10