



US00D936339S

(12) **United States Design Patent**
Liu

(10) **Patent No.:** **US D936,339 S**

(45) **Date of Patent:** **** Nov. 23, 2021**

(54) **PAIR OF SLIPPERS**

(71) Applicant: **Delin Liu**, Fuzhou (CN)

(72) Inventor: **Delin Liu**, Fuzhou (CN)

(**) Term: **15 Years**

(21) Appl. No.: **29/756,121**

(22) Filed: **Oct. 26, 2020**

(51) **LOC (13) Cl.** **02-04**

(52) **U.S. Cl.**
USPC **D2/916**

(58) **Field of Classification Search**
USPC D2/896-900, 907, 909, 916-919,
D2/923-925, 969

CPC A43B 5/00; A43B 3/14; A43B 3/16; A43B
3/101

See application file for complete search history.

(56) **References Cited**

U.S. PATENT DOCUMENTS

9,210,965	B2 *	12/2015	O'Connor	A43B 13/141
D799,174	S	10/2017	Maier		
D815,811	S *	4/2018	Buck	D2/916
D835,891	S *	12/2018	Sassi	D2/916
D841,947	S	3/2019	Grinstead		
D856,639	S *	8/2019	Sassi	D2/916

D856,640	S *	8/2019	Brinkhof	D2/916
D878,717	S *	3/2020	Jackson	D2/916
D891,736	S *	8/2020	Wira	D2/916
D919,948	S *	5/2021	Wira	D2/947
D927,147	S *	8/2021	Lee	A43B 13/141 D2/916

* cited by examiner

Primary Examiner — Rashida C. Walshon

(74) *Attorney, Agent, or Firm* — ScienBiziP, P.C.

(57) **CLAIM**

The ornamental design for a pair of slippers, as shown and described.

DESCRIPTION

FIG. 1 is a front perspective view of a left slipper of a pair of slippers, showing my design.

FIG. 2 is a front elevation view thereof.

FIG. 3 is a rear elevation view thereof.

FIG. 4 is a left side elevation view thereof.

FIG. 5 is a right side elevation view thereof.

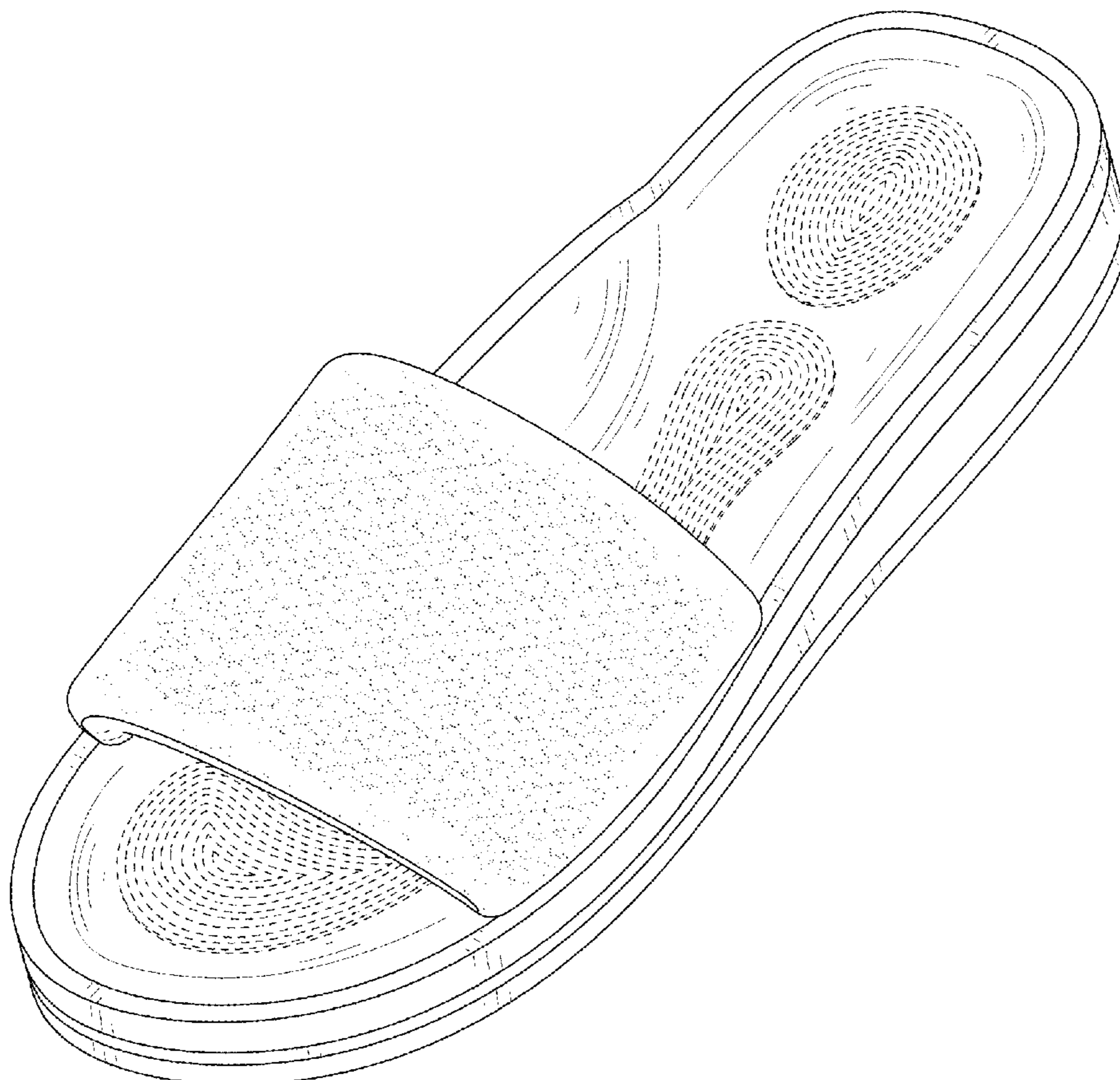
FIG. 6 is a top plan view thereof; and,

FIG. 7 is a bottom plan view thereof.

The slipper for a right foot being the mirror image of the left slipper depicted in FIGS. 1 through 7.

The broken lines in the drawings depict environmental structure and boundaries and form no part of the claimed design.

1 Claim, 7 Drawing Sheets



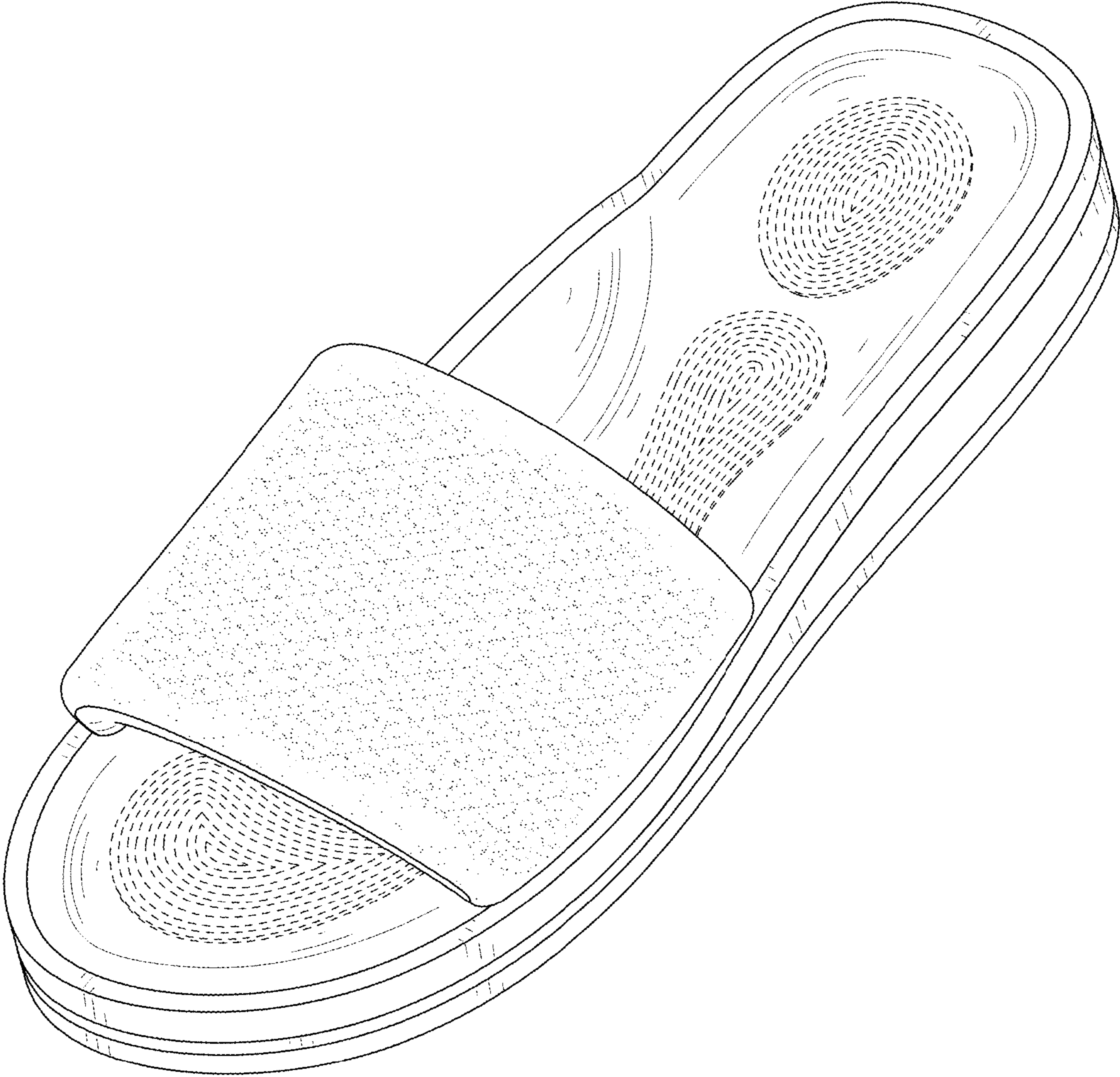


FIG. 1

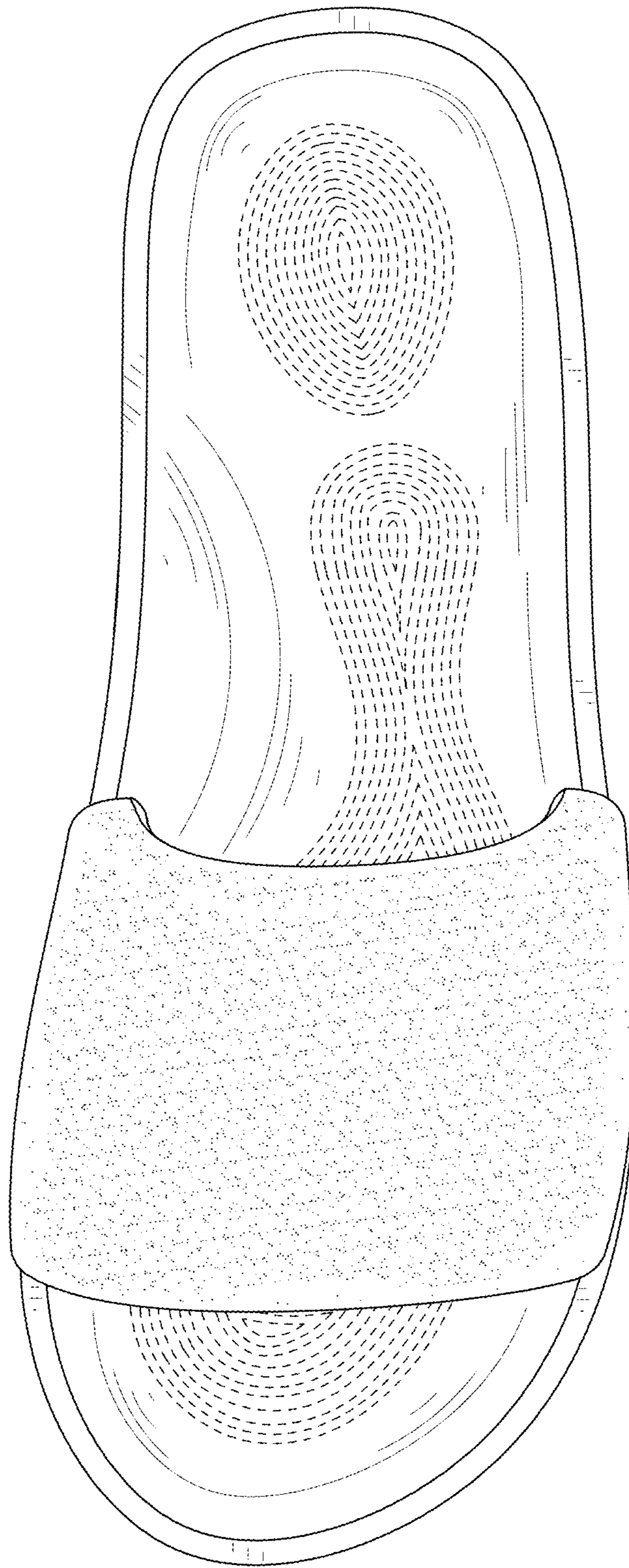


FIG. 2

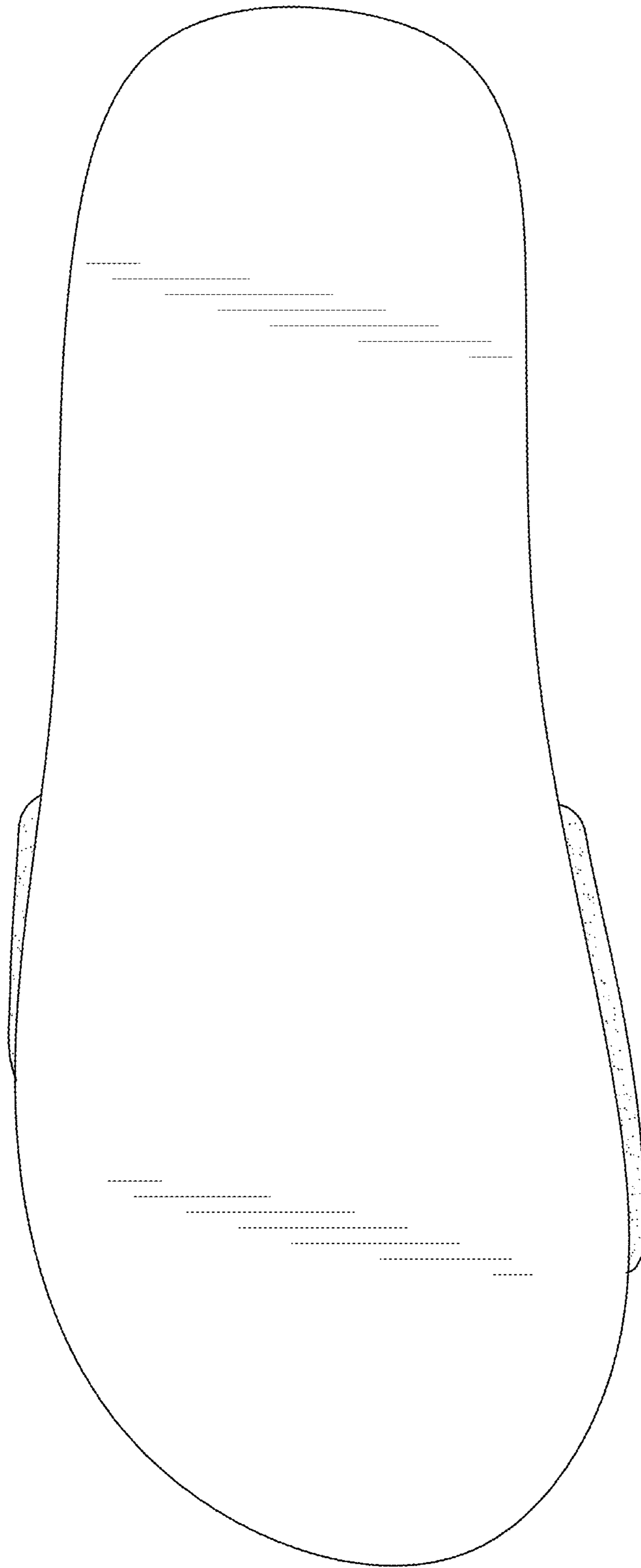


FIG. 3

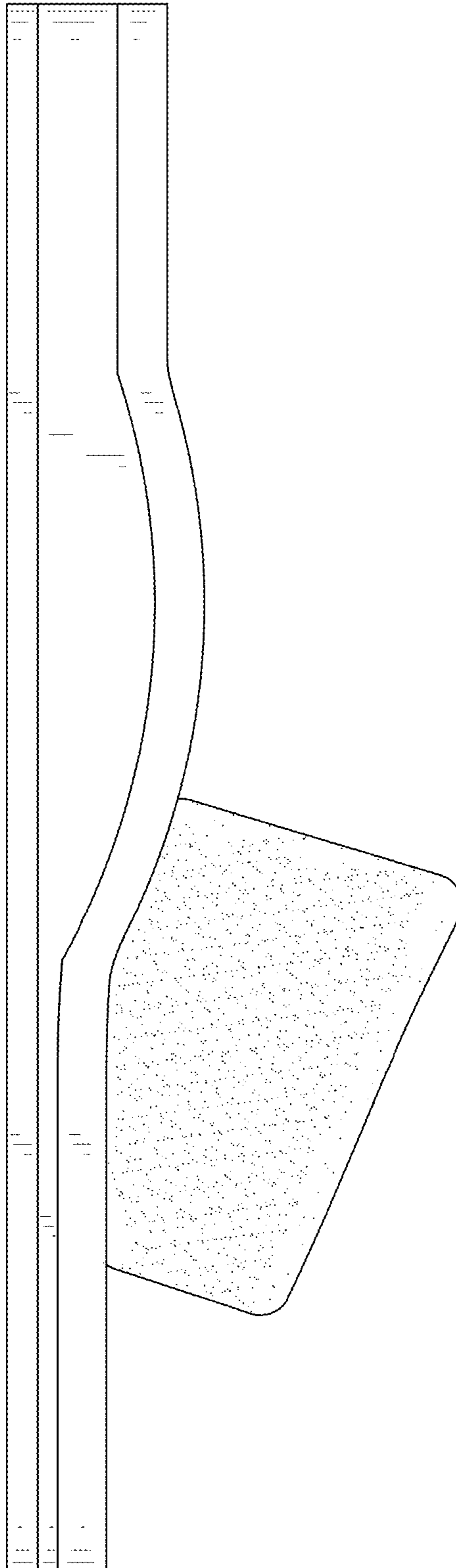


FIG. 4

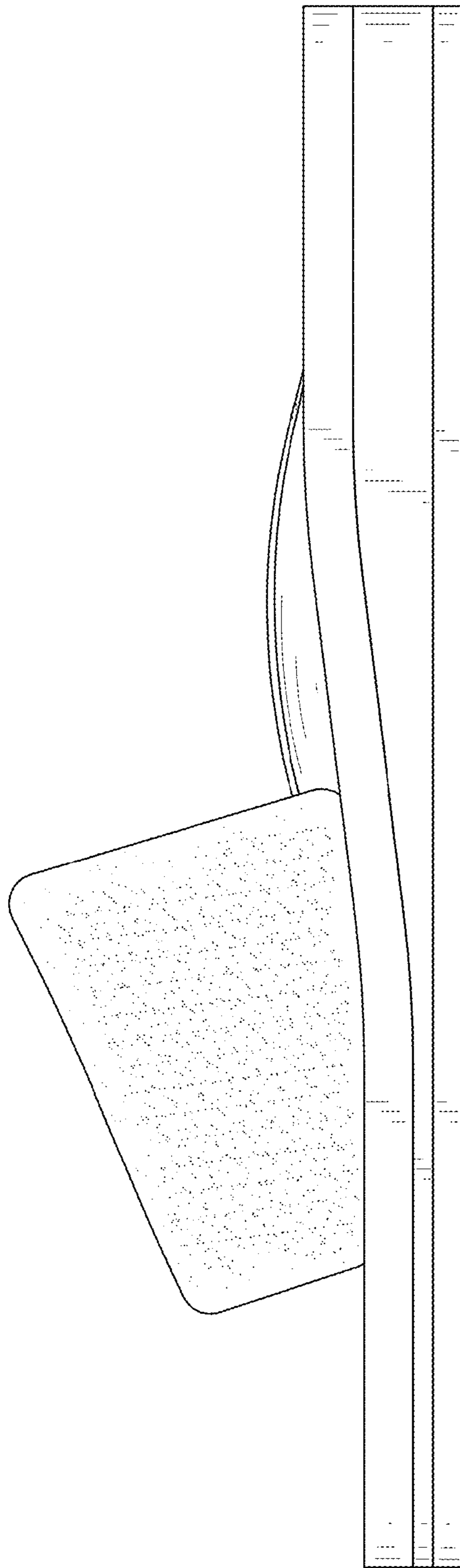


FIG. 5

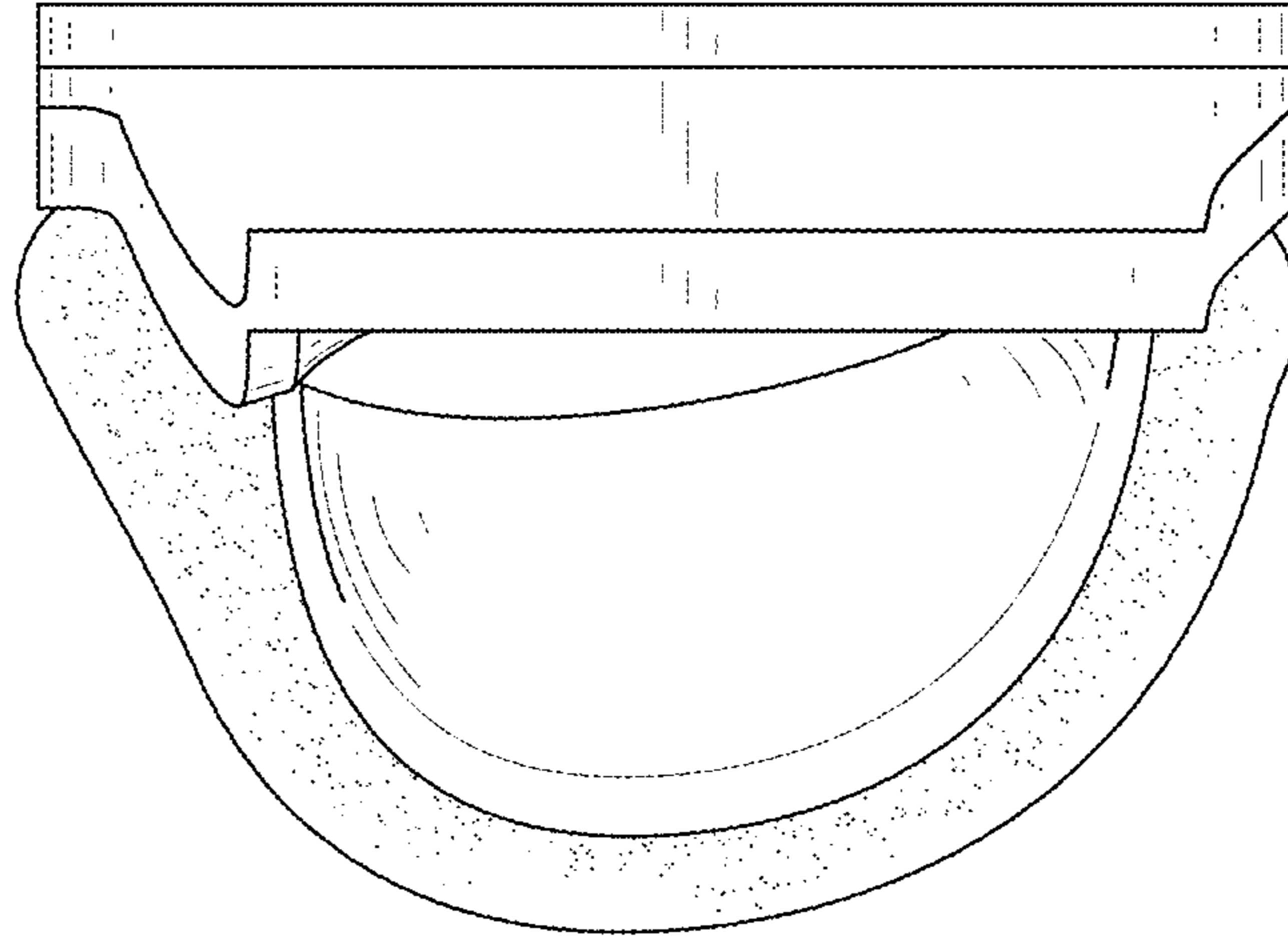


FIG. 6

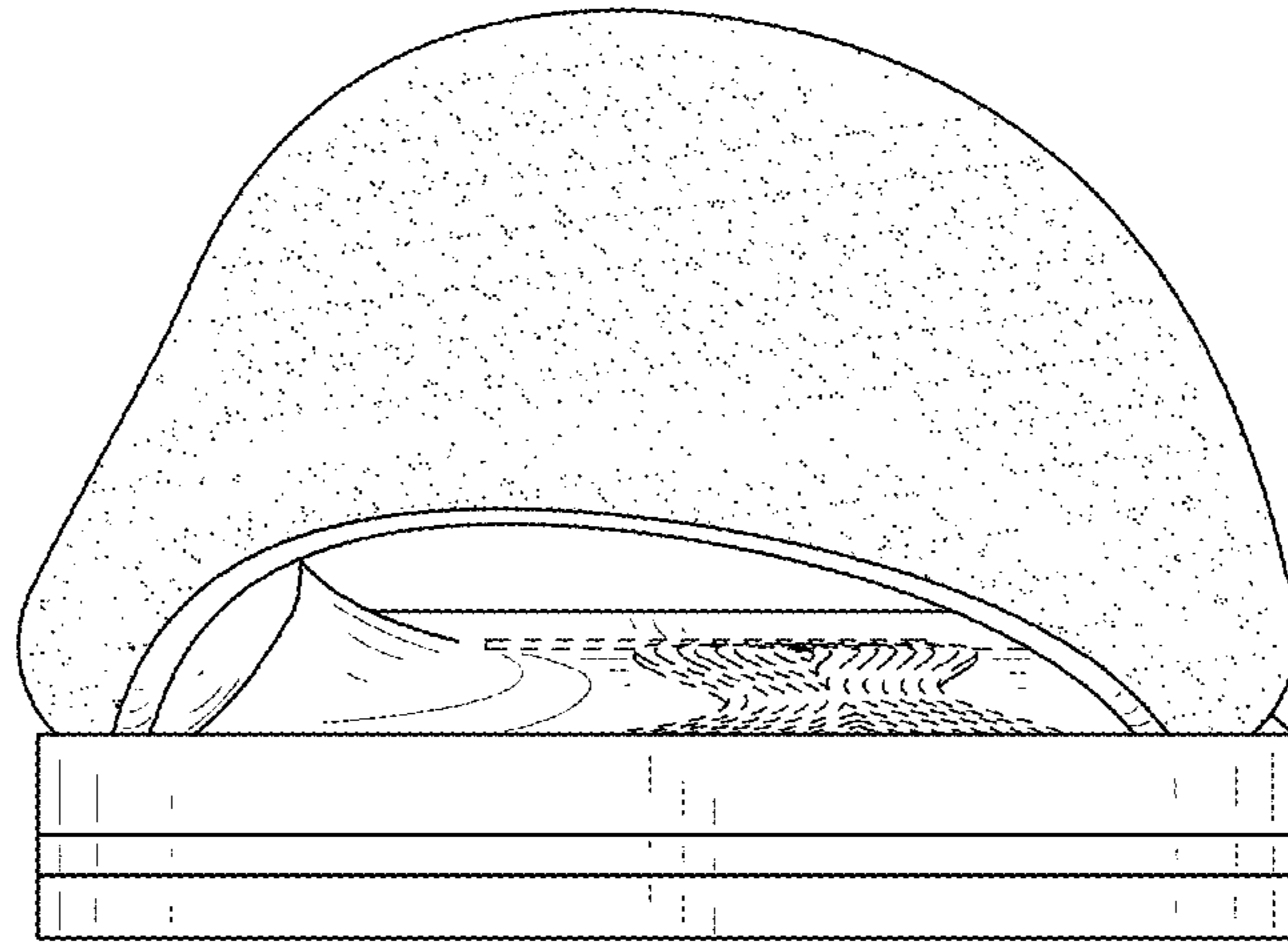


FIG. 7