



US00D936331S

(12) **United States Design Patent**
Lee

(10) **Patent No.:** **US D936,331 S**

(45) **Date of Patent:** **** Nov. 23, 2021**

(54) **CONFECTION**

(71) Applicant: **Ferrara Candy Company**, Chicago, IL (US)

(72) Inventor: **Judy Jonhee Lee**, Highwood, IL (US)

(73) Assignee: **FERRARA CANDY COMPANY**, Chicago, IL (US)

(**) Term: **15 Years**

(21) Appl. No.: **29/746,385**

(22) Filed: **Aug. 13, 2020**

(51) **LOC (13) Cl.** **01-01**

(52) **U.S. Cl.**
USPC **D1/109**

(58) **Field of Classification Search**
USPC D1/100–130, 199; 426/92, 94, 138, 143, 426/275, 277, 279, 281–284, 292, 295, 426/391, 496, 514, 566, 572, 660, 134, 426/104; 249/92; D8/83; D21/487, 578, D21/580; D4/104–106, 136; D15/199; D7/672, 675, 676
CPC A23G 3/50; A23G 3/563; A23G 9/503; A23G 9/26; A23G 9/48; A23G 3/54; A23P 1/005

See application file for complete search history.

(56) **References Cited**

U.S. PATENT DOCUMENTS

D61,484 S * 9/1922 Steacy D21/578
D290,146 S * 6/1987 Horiuchi D21/578

D460,131 S * 7/2002 Koshiishi D21/578
D470,551 S * 2/2003 Lin D21/622
D486,927 S * 2/2004 Yu D26/26
D521,350 S * 5/2006 Heller D8/300
D546,554 S * 7/2007 Opolka D3/211
D582,350 S * 12/2008 Baker D13/133
D662,315 S * 6/2012 Van Der Lande D3/211
D672,049 S * 12/2012 Van Der Lande D24/215
D684,636 S * 6/2013 Chen D21/302
D684,640 S * 6/2013 Chen D21/386
D873,859 S * 1/2020 Anzures D14/495

* cited by examiner

Primary Examiner — Katie Jane Stofko

(74) *Attorney, Agent, or Firm* — McAndrews, Held & Malloy, Ltd.

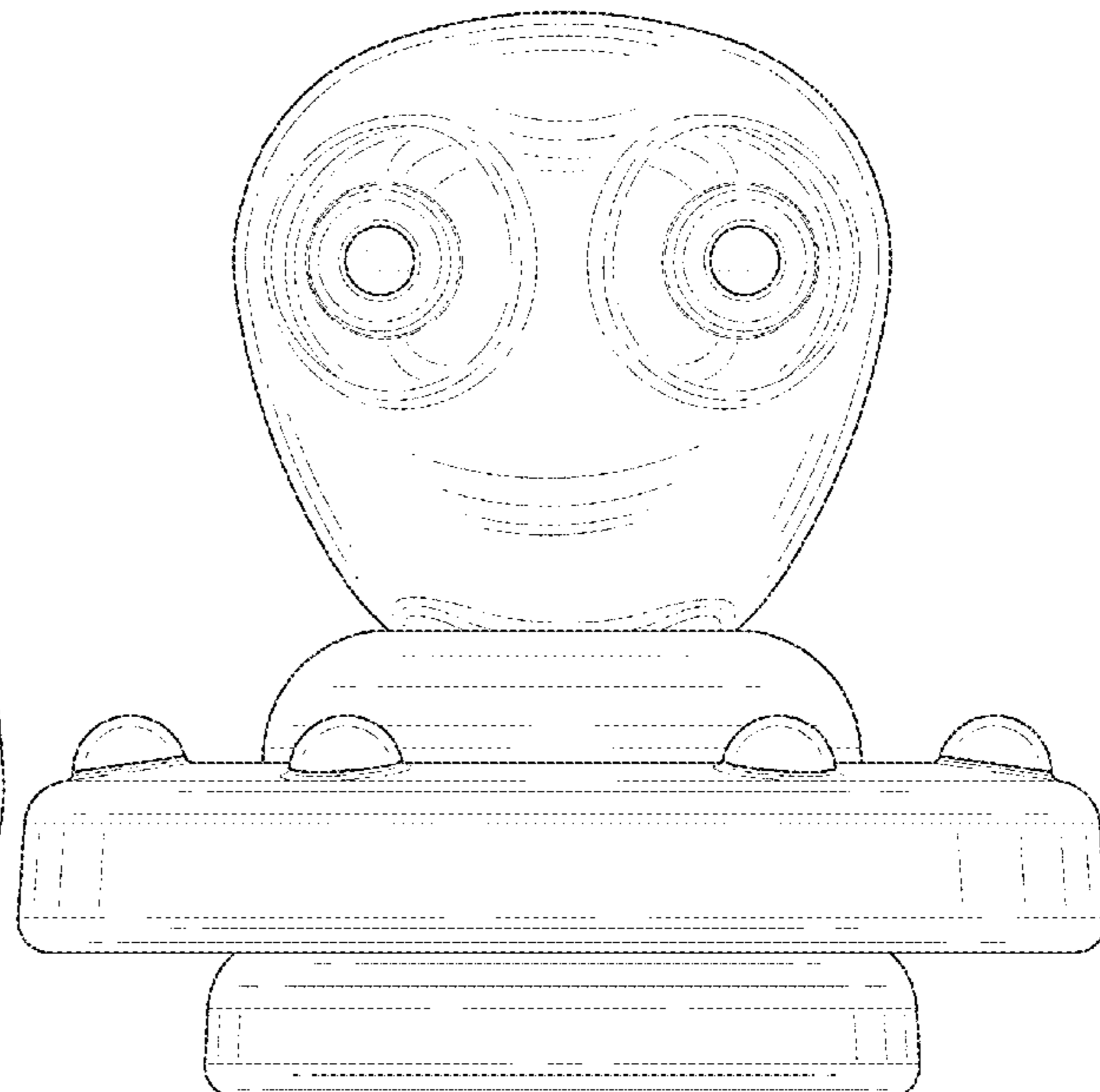
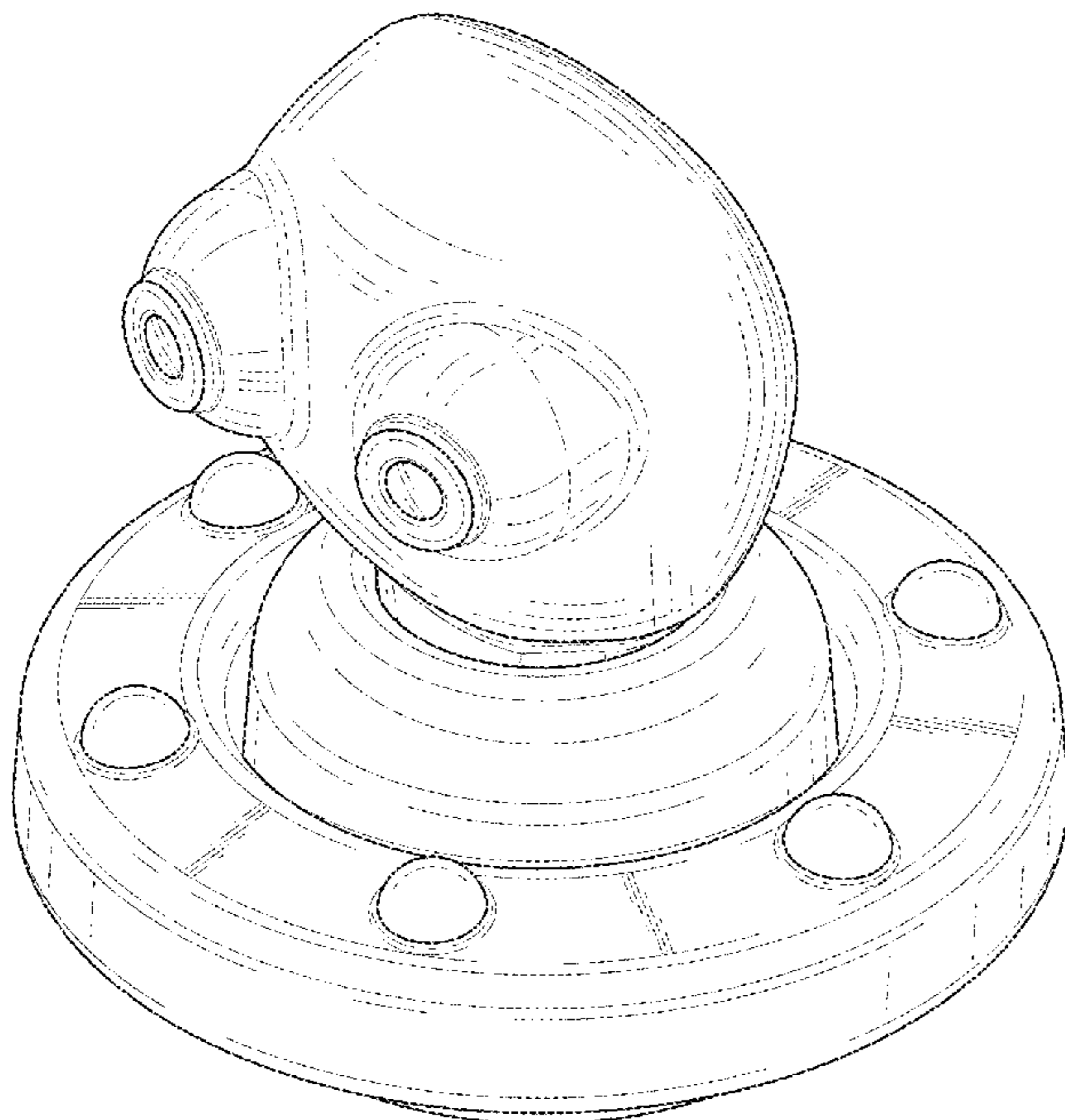
(57) **CLAIM**

The ornamental design for a confection, as shown and described.

DESCRIPTION

FIG. 1 is a top and front perspective view of a confection showing my new design;
FIG. 2 is a front elevation view thereof;
FIG. 3 is a rear elevation view thereof;
FIG. 4 is a left side elevation view thereof;
FIG. 5 is a right side elevation view thereof;
FIG. 6 is a top plan view thereof;
FIG. 7 is a bottom plan view thereof; and,
FIG. 8 is bottom and rear perspective view thereof.

1 Claim, 8 Drawing Sheets



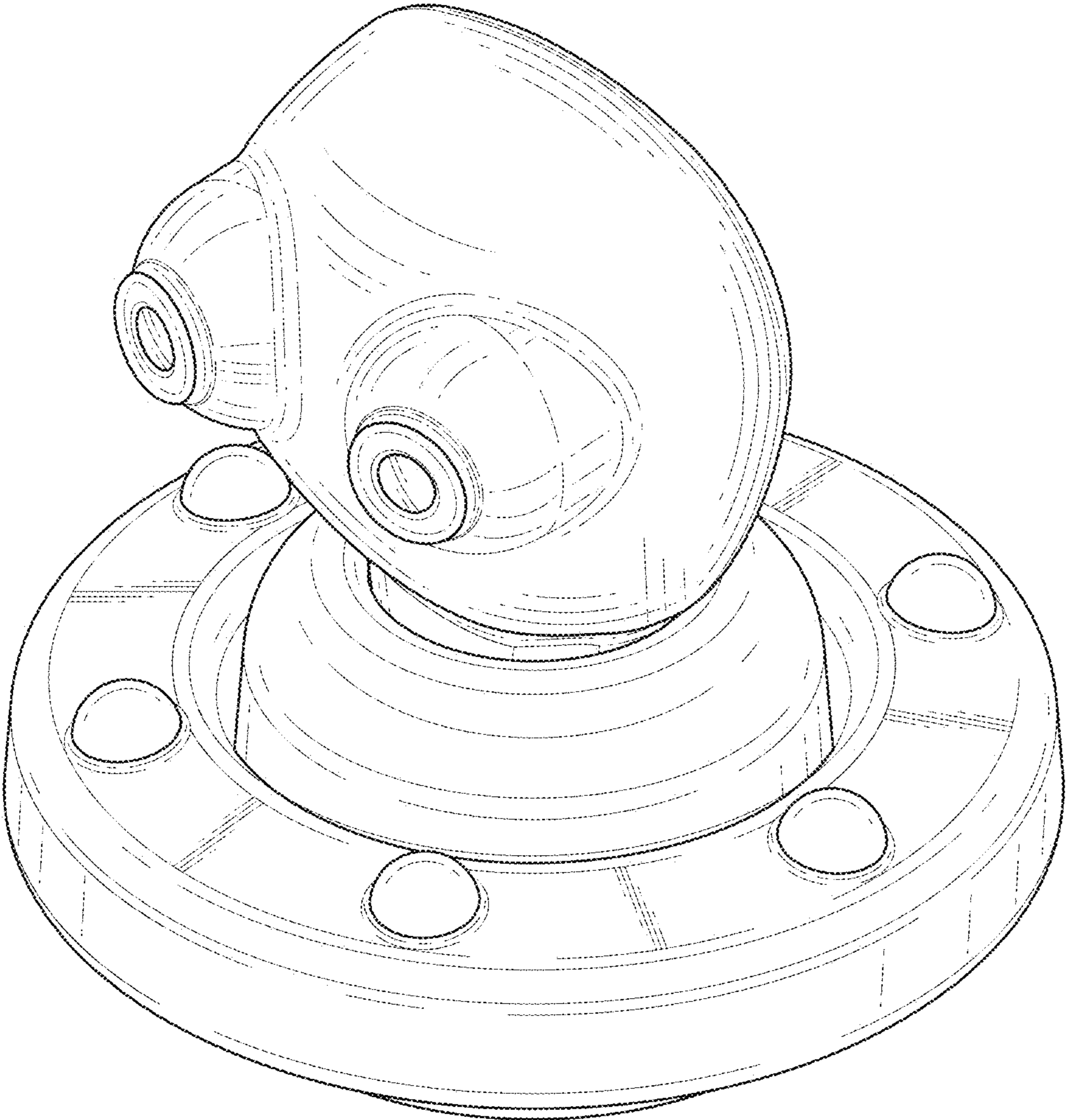


FIG. 1

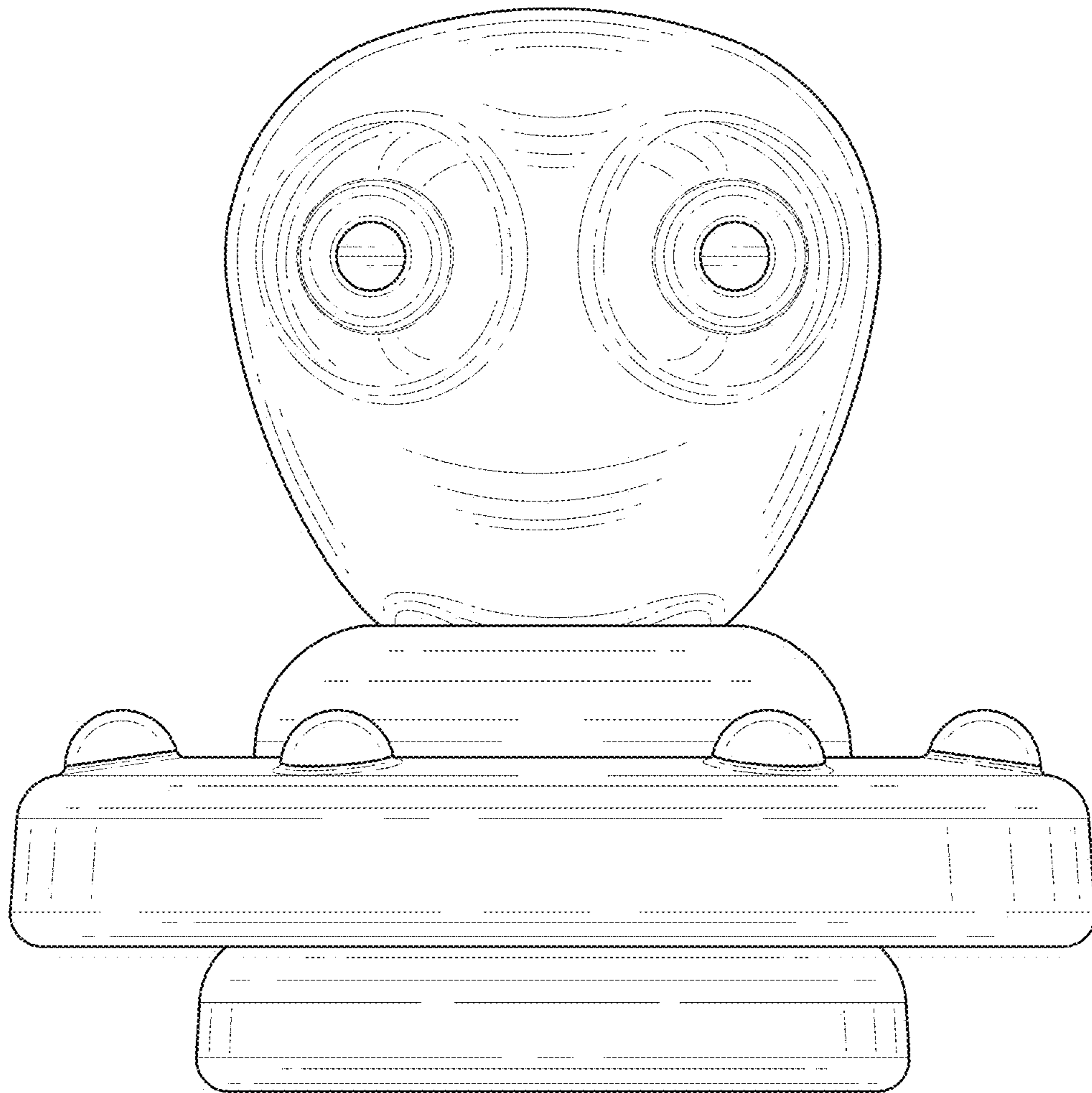


FIG. 2

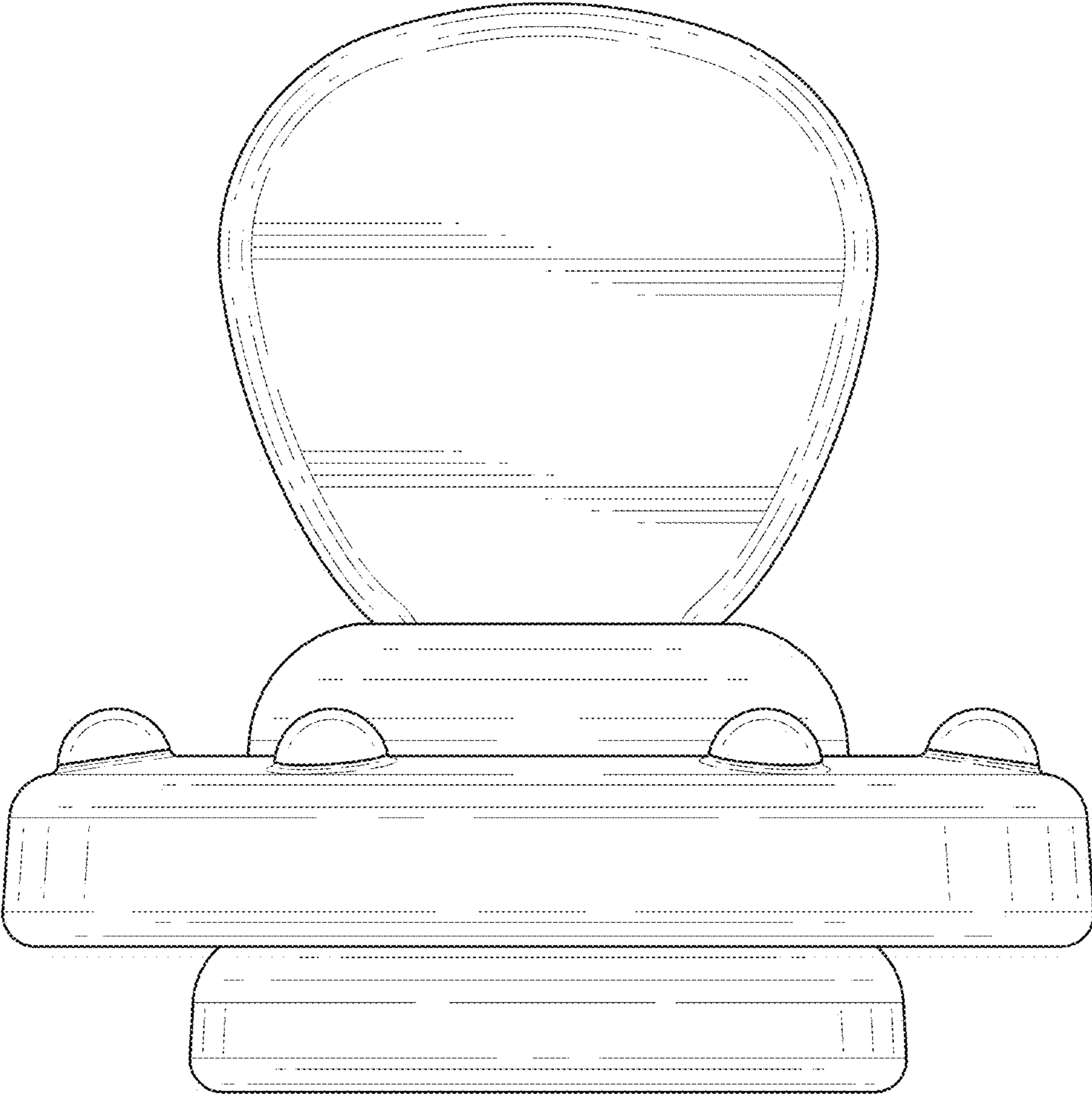


FIG. 3

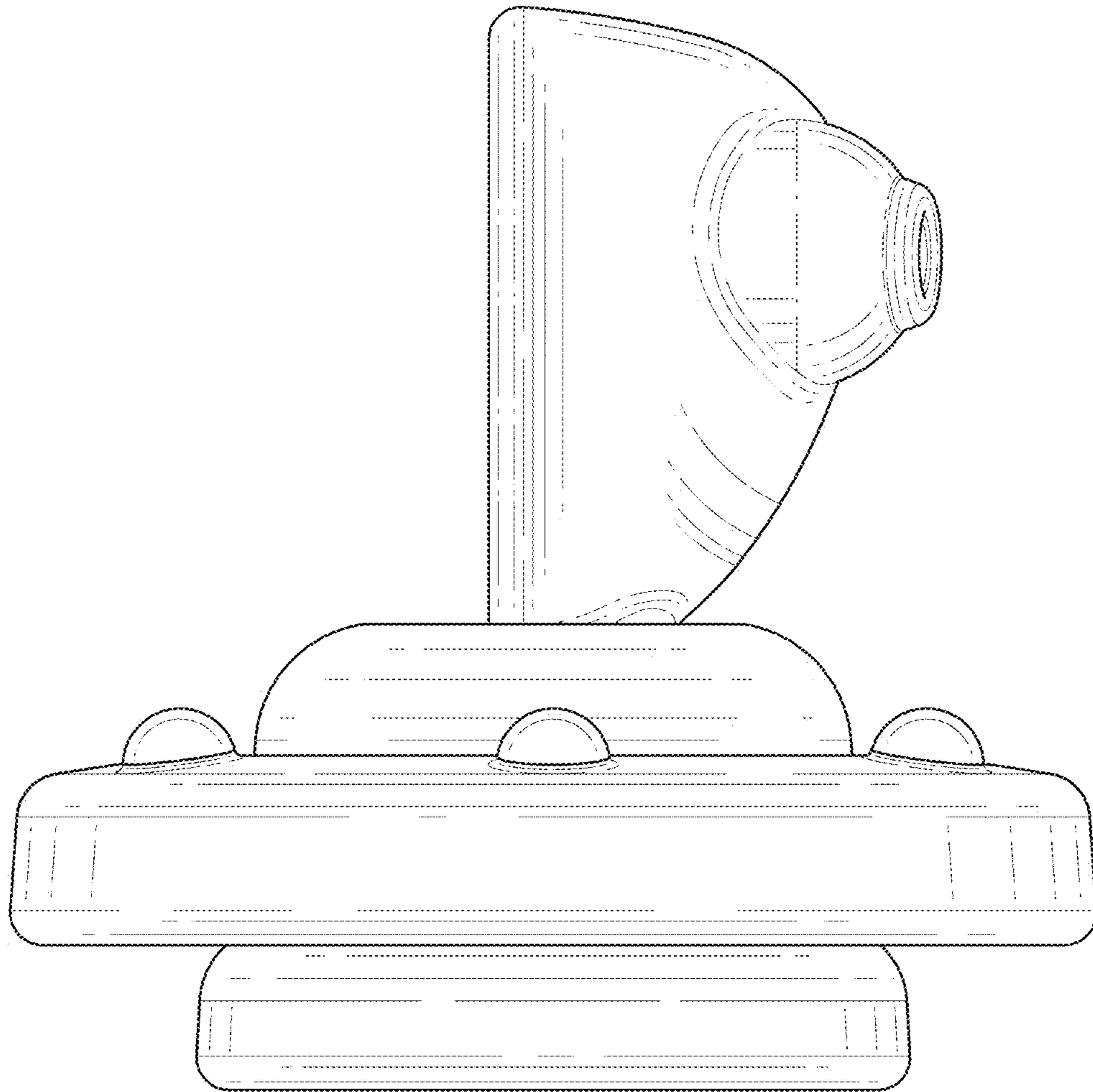


FIG. 4

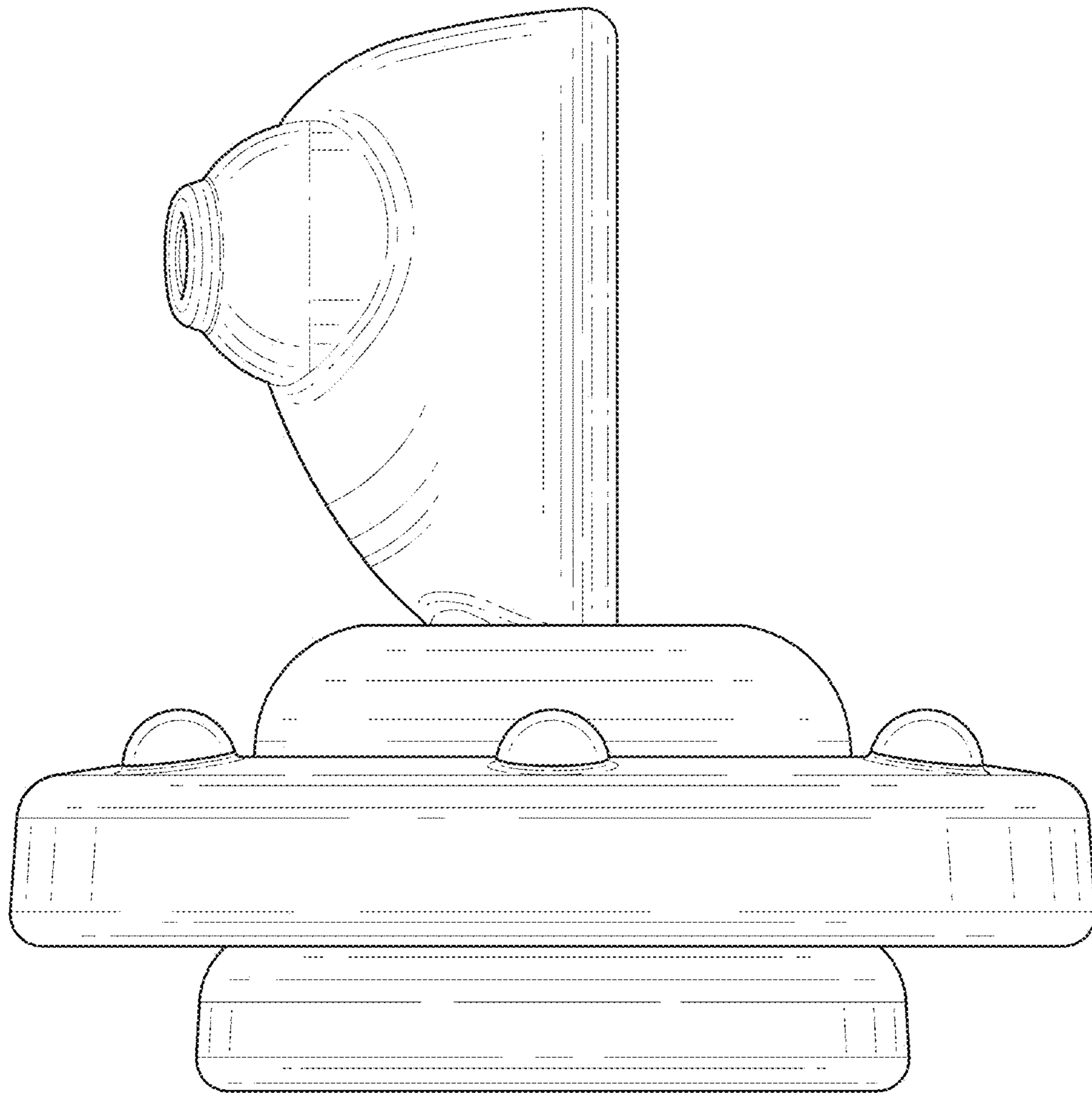


FIG. 5

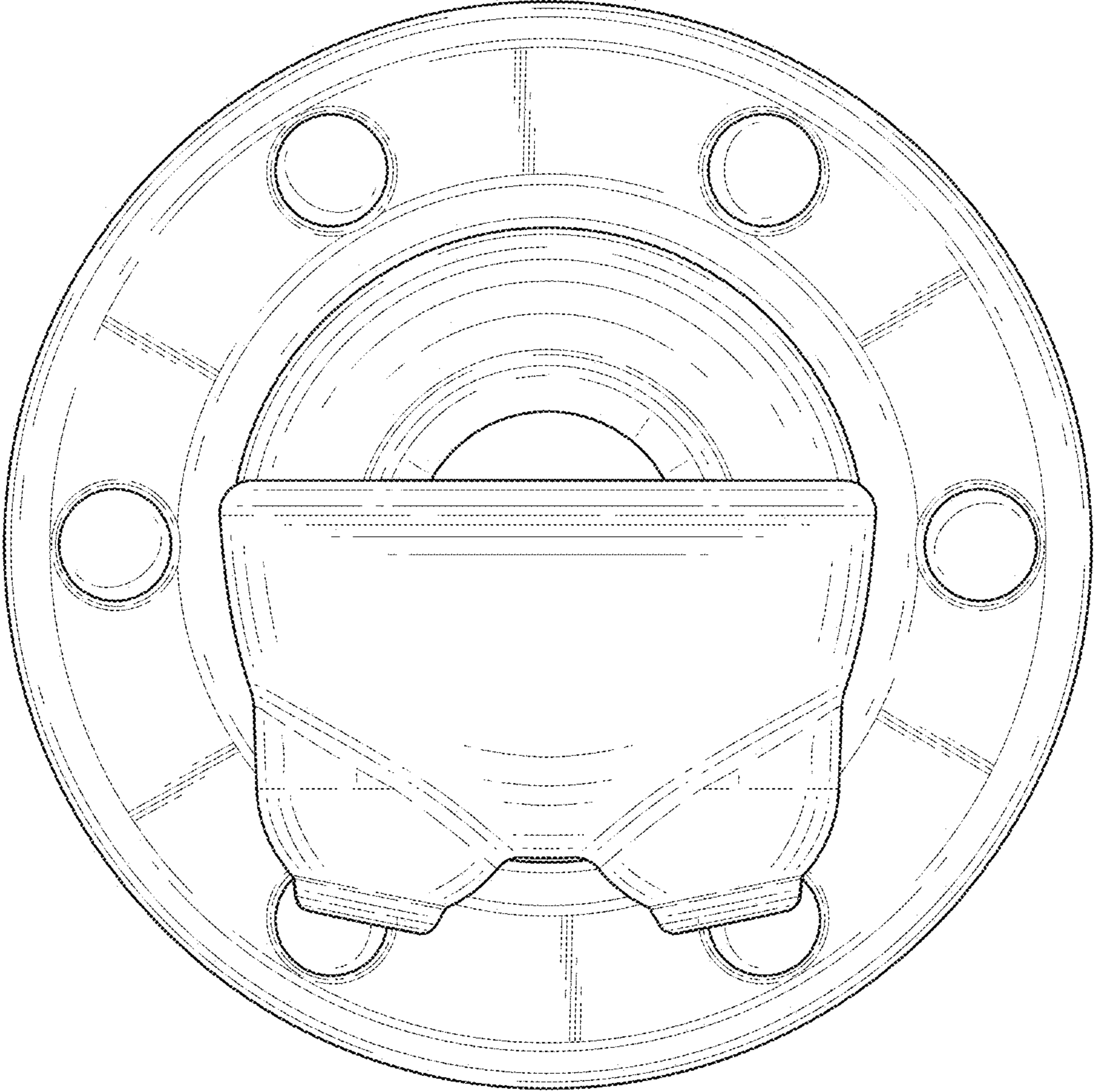


FIG. 6

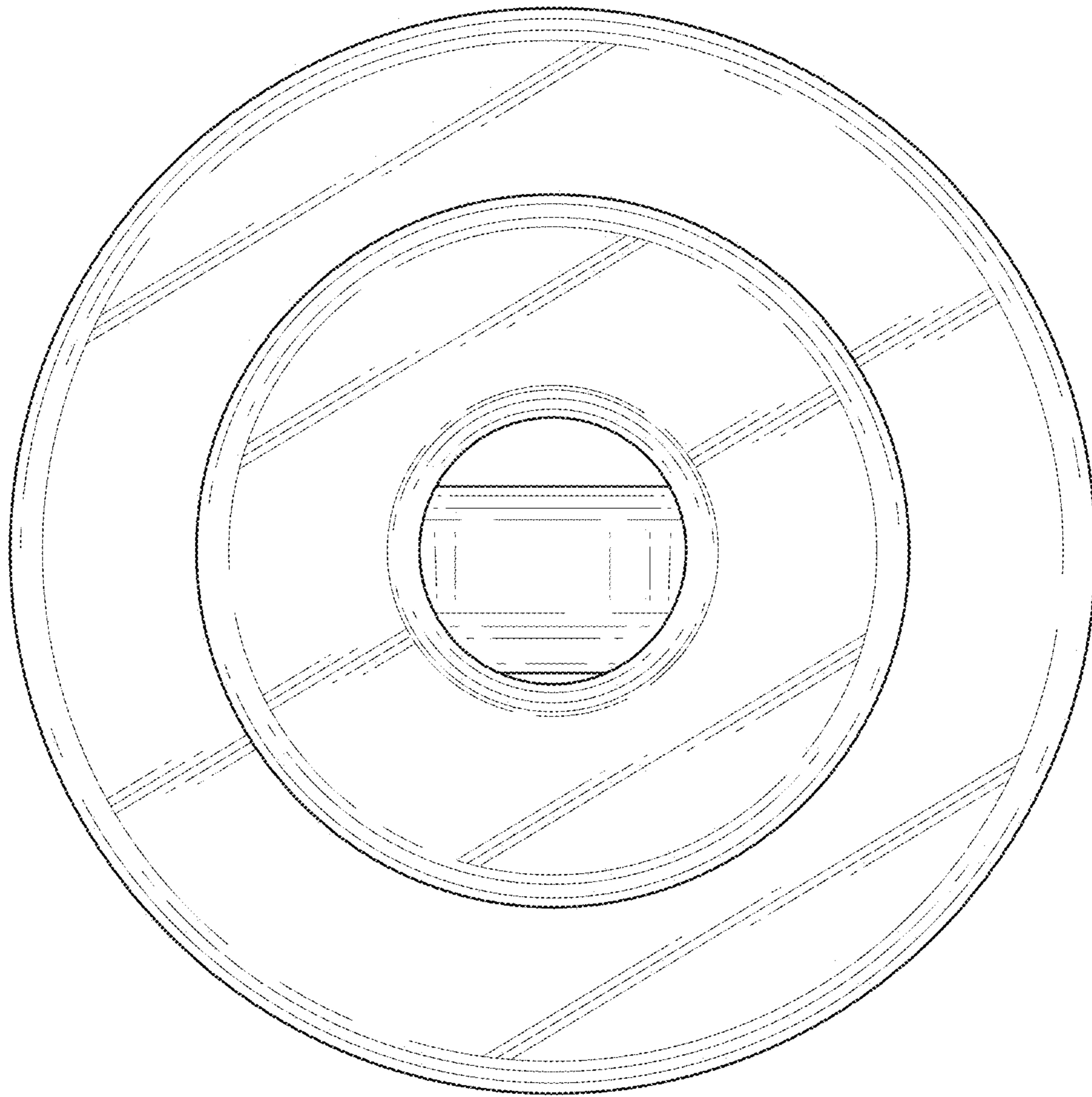


FIG. 7

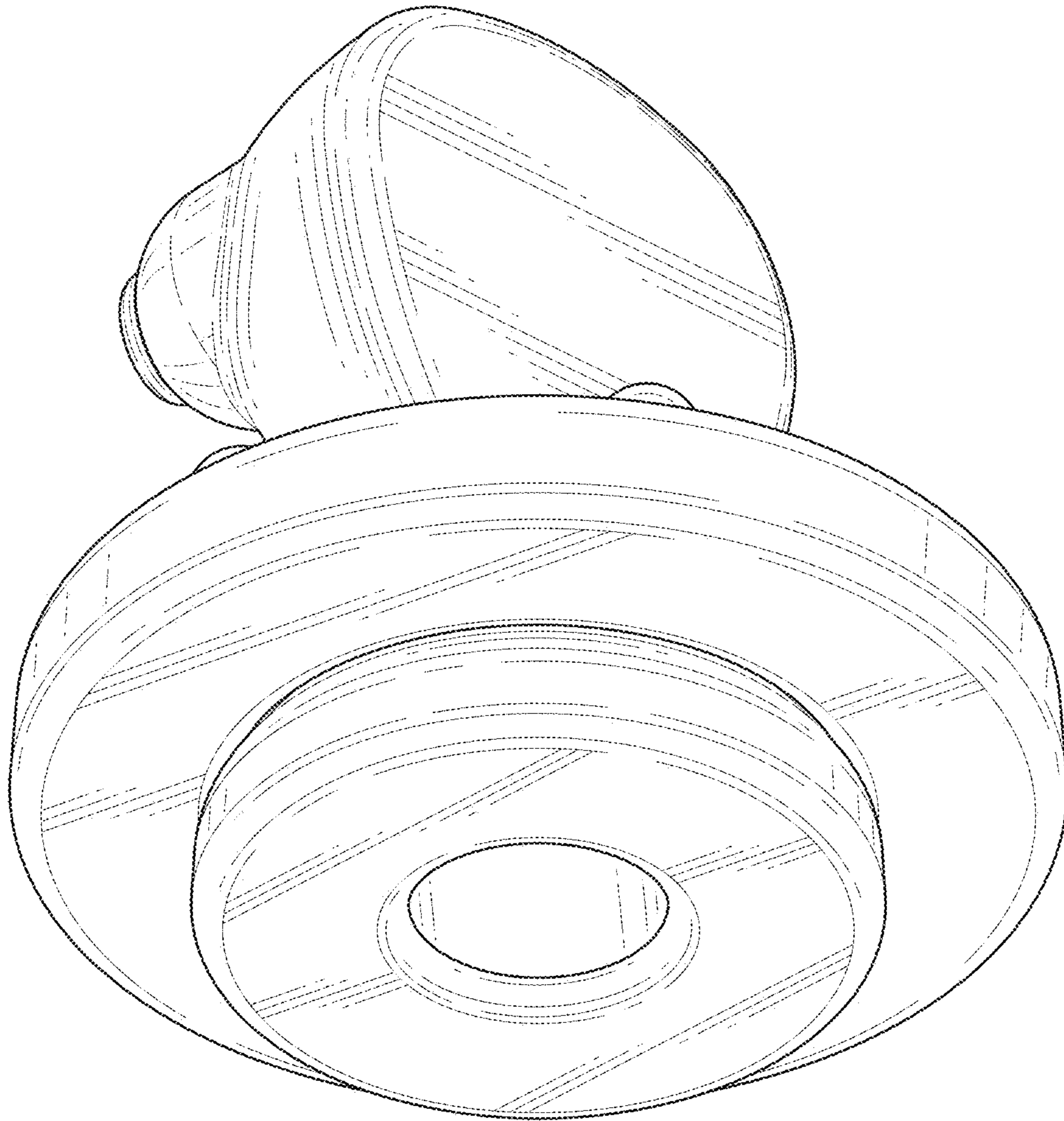


FIG. 8