

US00D936330S

(12) **United States Design Patent**
Hall et al.

(10) **Patent No.:** **US D936,330 S**

(45) **Date of Patent:** **** *Nov. 16, 2021**

(54) **FIBERGLASS INSULATION BOARD PALLET**

(71) Applicant: **JOHNS MANVILLE**, Denver, CO (US)

(72) Inventors: **Brennan Michael Hall**, Arvada, CO (US); **Mark Allan Granger**, Highlands Ranch, CO (US); **Eric James Lesnau**, Denver, CO (US)

(73) Assignee: **Johns Manville**, Denver, CO (US)

(*) Notice: This patent is subject to a terminal disclaimer.

(**) Term: **15 Years**

(21) Appl. No.: **29/728,201**

(22) Filed: **Mar. 17, 2020**

(51) **LOC (13) Cl.** **09-08**

(52) **U.S. Cl.**
USPC **D34/38**

(58) **Field of Classification Search**
USPC D34/38
CPC B65D 19/38; B65D 19/0093; B65D 2519/00293; B65D 2519/00273; B65D 2519/00338; B65D 2519/0323; B65D 2519/00796

See application file for complete search history.

(56) **References Cited**

U.S. PATENT DOCUMENTS

- 2,836,384 A * 5/1958 Haglind B65D 19/0095 108/57.1
- 3,602,157 A * 8/1971 Cohen B65D 19/0095 108/57.18
- 3,618,536 A * 11/1971 McCracken B65D 71/0096 108/57.17
- 3,878,796 A * 4/1975 Morrison B65D 19/0075 108/56.1

- D264,323 S * 5/1982 Nordstrom D34/38
- 5,673,629 A * 10/1997 Ginnow B65D 19/0095 108/56.1
- 5,809,902 A * 9/1998 Zetterberg B65D 19/0069 108/51.11
- 6,234,086 B1 * 5/2001 Mason B65D 19/0002 108/51.11
- 6,938,558 B1 * 9/2005 Peres B65D 19/0095 108/56.3
- D679,065 S * 3/2013 Hershey D34/38
- D789,648 S * 6/2017 Segerstrom D34/38
- 10,604,299 B1 * 3/2020 Soehnlen B65D 19/0024
- D893,825 S * 8/2020 Robinson D34/38
- 2004/0173483 A1 * 9/2004 Sutt, Jr. B65D 19/0095 206/338
- 2005/0072700 A1 * 4/2005 Sutt, Jr. B65D 19/38 206/338
- 2005/0178299 A1 * 8/2005 Rasmussen B65D 19/0095 108/57.32
- 2006/0278137 A1 * 12/2006 Shimada B65D 19/0095 108/51.11

(Continued)

Primary Examiner — Cynthia Ramirez

(74) *Attorney, Agent, or Firm* — Robert D. Touslee

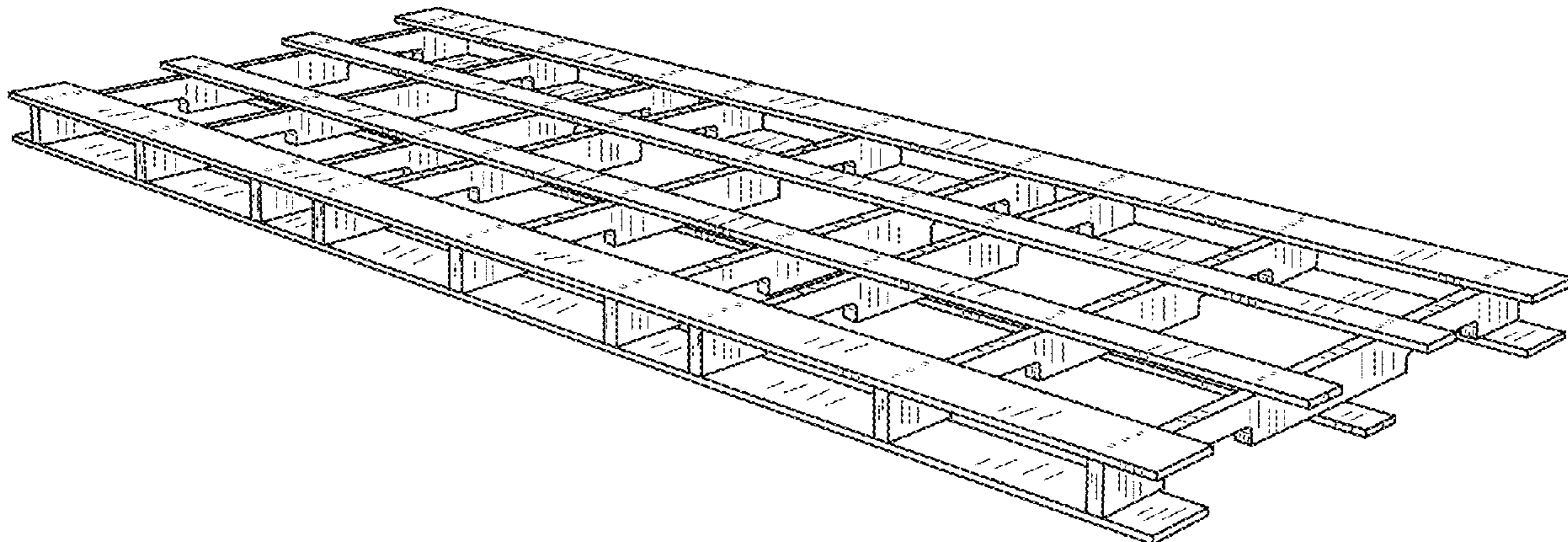
(57) **CLAIM**

The ornamental design for a fiberglass insulation board pallet, as shown and described.

DESCRIPTION

FIG. 1 is perspective view of a fiberglass insulation board pallet showing my new, original and ornamental design; FIG. 2 is top view thereof; FIG. 3 is bottom view thereof; FIG. 4 is front view thereof; FIG. 5 is back view thereof; FIG. 6 is right side view thereof; and, FIG. 7 is left side view thereof. The broken lines in the drawings show portions of the fiberglass insulation board packaging which form no part of the claimed design.

1 Claim, 5 Drawing Sheets



(56)

References Cited

U.S. PATENT DOCUMENTS

2007/0006450 A1* 1/2007 Jaen B27M 3/0073
29/772
2009/0090280 A1* 4/2009 Mills B65D 19/385
108/53.1
2010/0182150 A1* 7/2010 Edelstain B65D 19/38
340/572.8
2010/0229764 A1* 9/2010 Ingham B65D 19/0095
108/51.3
2013/0152831 A1* 6/2013 Storteboom B65D 19/0095
108/51.11
2014/0147640 A1* 5/2014 Budi B27K 5/00
428/195.1
2014/0174327 A1* 6/2014 Whiteford B65D 19/38
108/50.11
2015/0274357 A1* 10/2015 Linares B27N 3/02
428/131
2015/0321792 A1* 11/2015 Joung B65D 19/0004
108/57.25
2018/0162588 A1* 6/2018 Segerstrom B65D 19/0093
2019/0300254 A1* 10/2019 Tattam B65D 71/0096

* cited by examiner

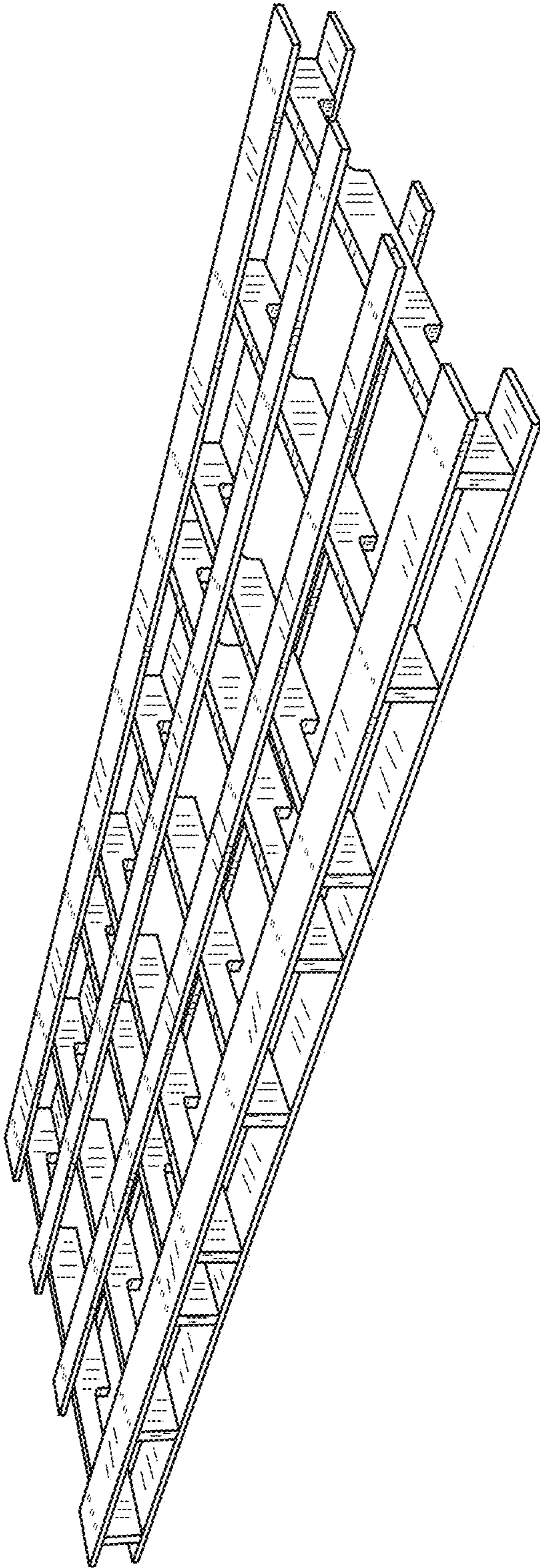


FIG.1

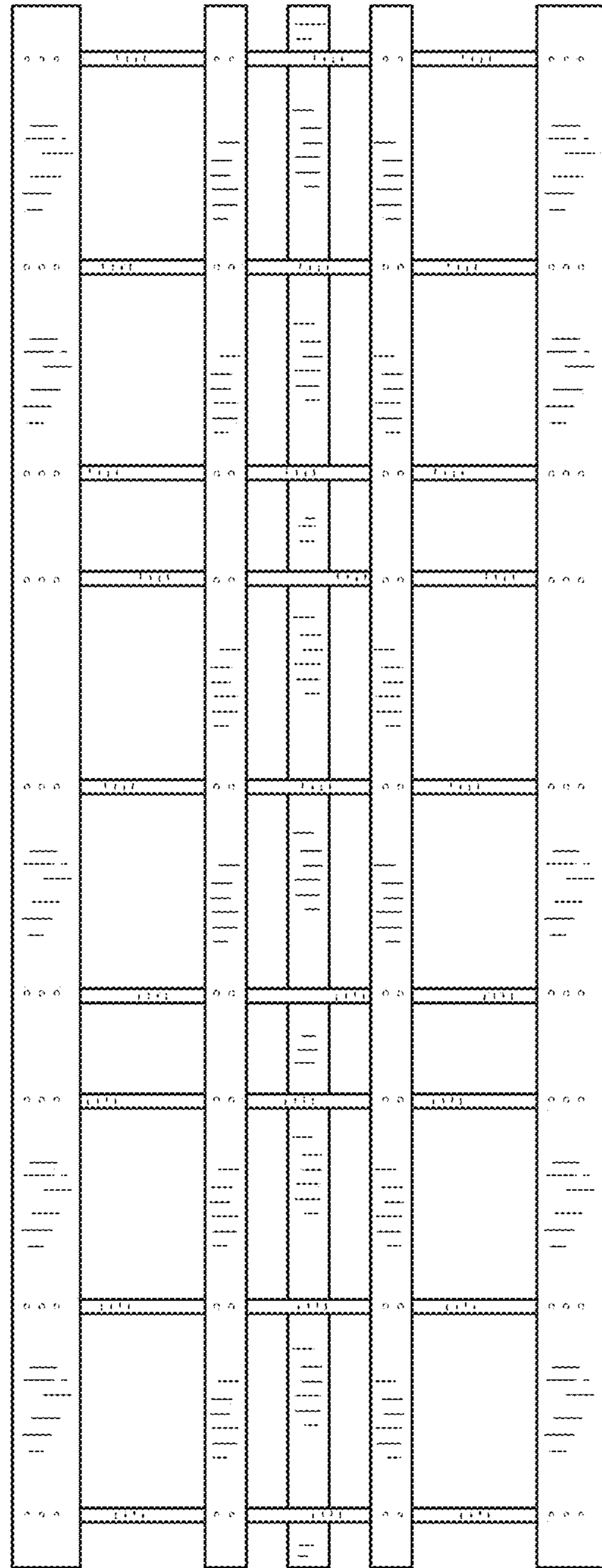


FIG.2

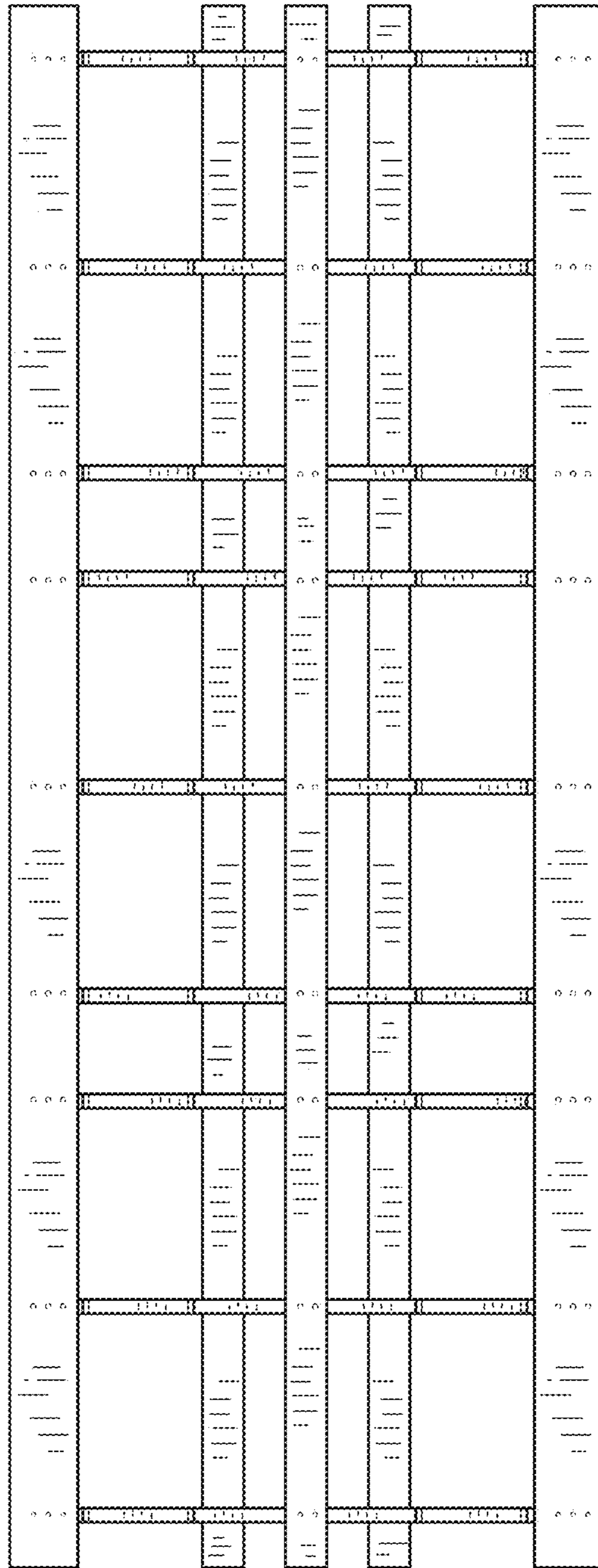


FIG.3



FIG. 4



FIG. 5



FIG. 6



FIG. 7