



US00D936327S

(12) **United States Design Patent** (10) **Patent No.:** **US D936,327 S**
Wallace (45) **Date of Patent:** **** Nov. 16, 2021**

(54) **PARCEL SORTING DEVICE**
(71) Applicant: **HYTROL CONVEYOR COMPANY, INC.**, Jonesboro, AR (US)
(72) Inventor: **Paul D. Wallace**, Bono, AR (US)
(73) Assignee: **HYTROL CONVEYOR COMPANY, INC.**, Jonesboro, AR (US)
(**) Term: **15 Years**

D422,718 S * 4/2000 Chaney D25/122
D455,634 S * 4/2002 Hummel D25/124
D459,818 S * 7/2002 Chaney D25/125
D494,284 S * 8/2004 Wenrick D25/119
D539,933 S * 4/2007 Fischer D25/125
D584,025 S * 12/2008 Santacapita D34/29
D729,487 S * 5/2015 Dockx D34/35
D734,590 S * 7/2015 Evers B65G 17/38
D741,564 S * 10/2015 Schlothauer D34/28
D783,866 S * 4/2017 Chaney D25/124
D883,894 S * 5/2020 Keen D12/221
2002/0096417 A1 * 7/2002 Veit B65G 47/844
198/370.02

(21) Appl. No.: **29/724,169**

(Continued)

(22) Filed: **Feb. 13, 2020**

Primary Examiner — Sheryl Lane

(51) **LOC (13) Cl.** **12-05**

Assistant Examiner — Mark T. Philipps

(52) **U.S. Cl.**
USPC **D34/28**

(74) *Attorney, Agent, or Firm* — Schrantz Law Firm, PLLC; Stephen D. Schrantz

(58) **Field of Classification Search**
USPC D34/28, 29, 35; D15/138; D25/119–125
CPC B65G 15/62; B65G 15/00; B65G 17/06;
B65G 17/061; B65G 17/063; B65G 17/065;
B65G 17/08; B65G 17/083; B65G 47/22;
B65G 47/34; B65G 47/44; B65G 47/82;
B65G 25/06
See application file for complete search history.

(57) **CLAIM**

The ornamental design for a parcel sorting device, as shown and described.

DESCRIPTION

(56) **References Cited**

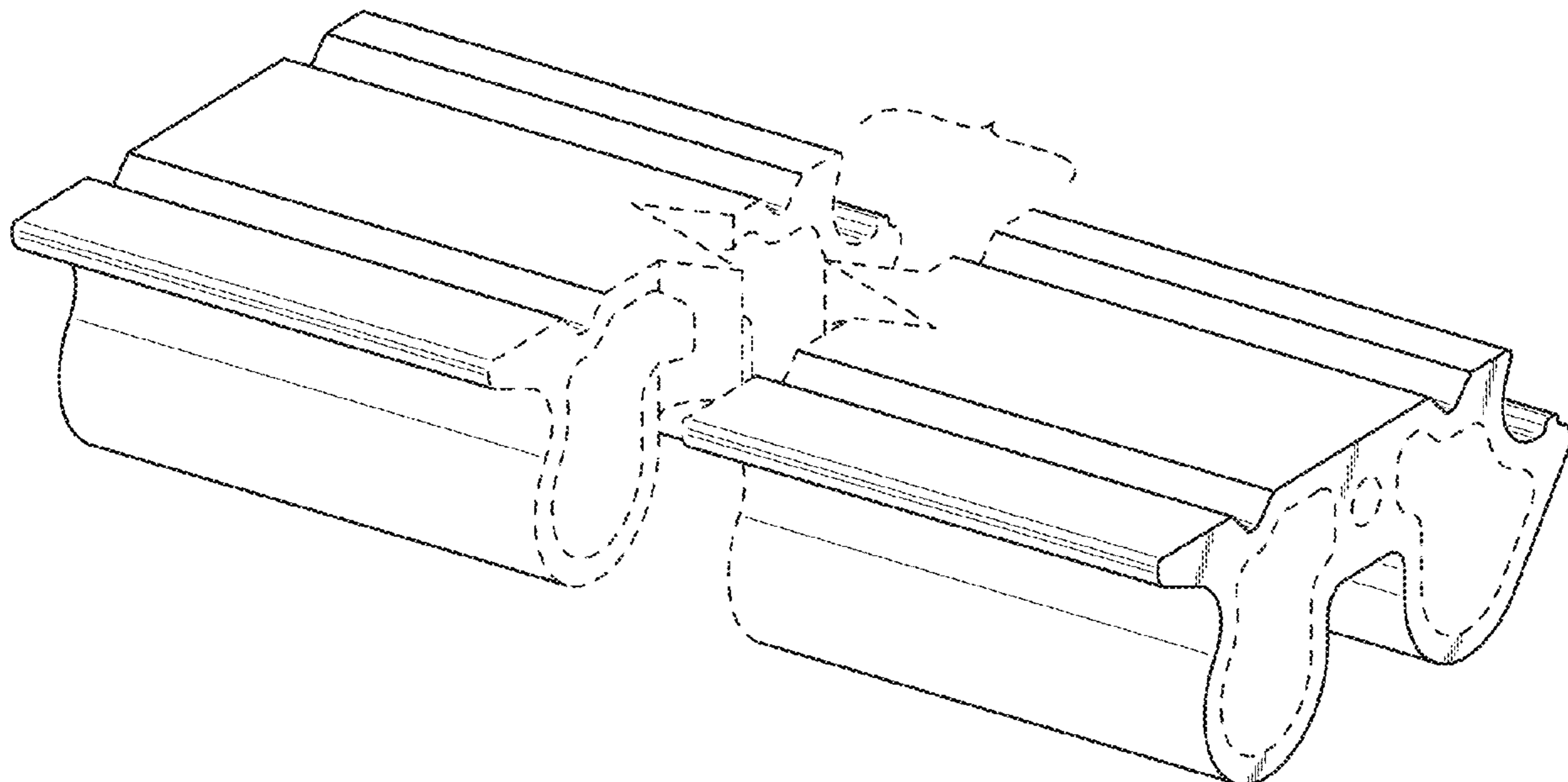
U.S. PATENT DOCUMENTS

4,235,494 A * 11/1980 Chu E06B 3/921
160/25
D263,757 S * 4/1982 Dallaire D25/125
D270,201 S * 8/1983 Hodlewsky D34/29
4,846,247 A * 7/1989 Kessler E06B 9/15
160/235
5,127,510 A * 7/1992 Cotter B65G 47/844
198/370.02
5,996,772 A * 12/1999 Foster B65G 25/065
198/750.3

FIG. 1 is a front perspective view of the present invention; FIG. 2 is a rear perspective view thereof; FIG. 3 is a front view thereof; FIG. 4 is a rear view thereof; FIG. 5 is a left side view thereof; FIG. 6 is a right side view thereof; FIG. 7 is a bottom view thereof; and, FIG. 8 is a top view thereof.

The broken lines in the drawings depict portions of the parcel sorting device that form no part of the claimed design. The parcel sorting device is shown with a symbolic break in its length. The appearance of any portion of the article between the break lines forms no part of the claimed design.

1 Claim, 3 Drawing Sheets



(56)

References Cited

U.S. PATENT DOCUMENTS

2004/0003903 A1* 1/2004 Wenrick B29C 48/0014
160/236
2006/0076218 A1* 4/2006 Marshall B65G 17/08
198/853
2007/0000759 A1* 1/2007 Knapen B60P 1/365
198/527
2007/0272520 A1* 11/2007 Smith B65G 43/02
198/806
2008/0067040 A1* 3/2008 Gundlach B65G 17/40
198/853
2009/0020396 A1* 1/2009 Foster B65G 25/065
198/750.2
2011/0185667 A1* 8/2011 Carter E04C 2/38
52/506.05
2013/0161154 A1* 6/2013 Triesenberg B65G 47/46
198/370.02
2013/0186733 A1* 7/2013 Berthelsen B65G 25/065
198/750.3
2015/0360869 A1* 12/2015 Bastian, II B65G 17/345
198/349
2016/0332821 A1* 11/2016 van den Berg B65G 17/08
2017/0029216 A1* 2/2017 Jackson B65G 25/065
2017/0144841 A1* 5/2017 Jackson B65G 25/065
2018/0031076 A1* 2/2018 Blase B65G 17/08
2019/0276240 A1* 9/2019 Cornelissen B65G 17/08
2019/0291959 A1* 9/2019 Guernsey B65G 17/08
2020/0010279 A1* 1/2020 O'Brien B65G 25/065
2020/0156874 A1* 5/2020 Friend B65G 25/065
2021/0122579 A1* 4/2021 Jackson B65G 25/065

* cited by examiner

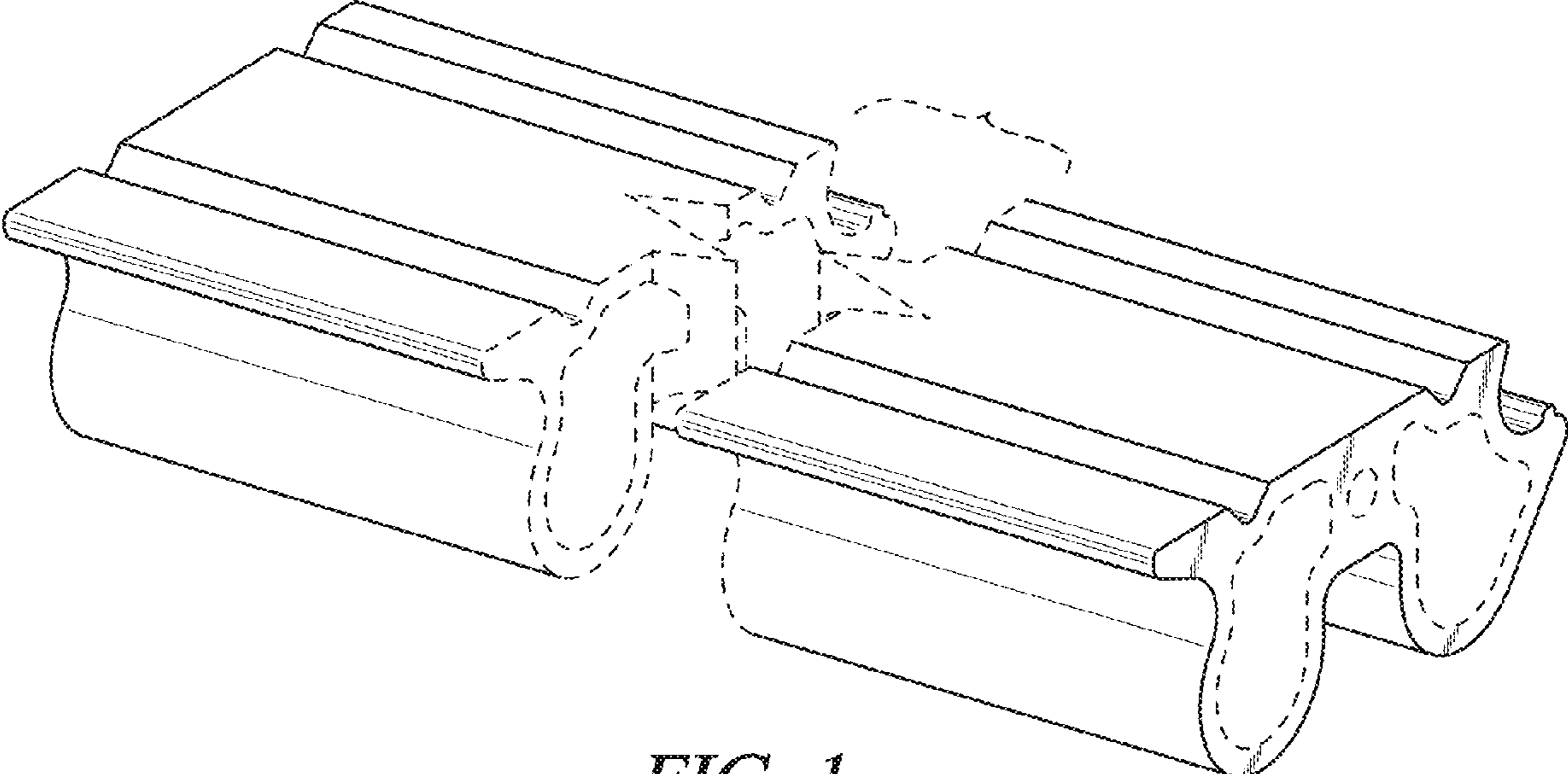


FIG. 1

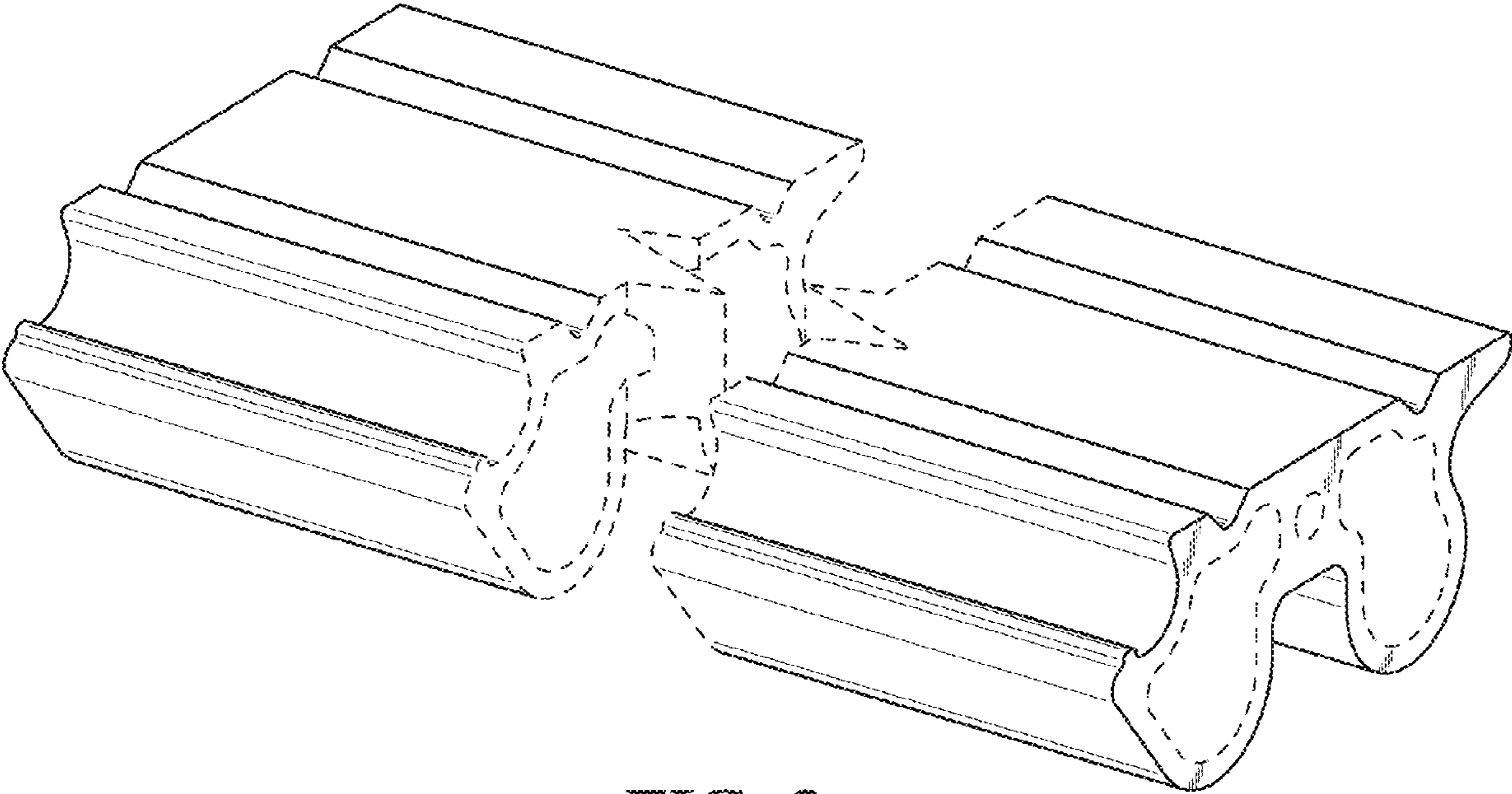


FIG. 2

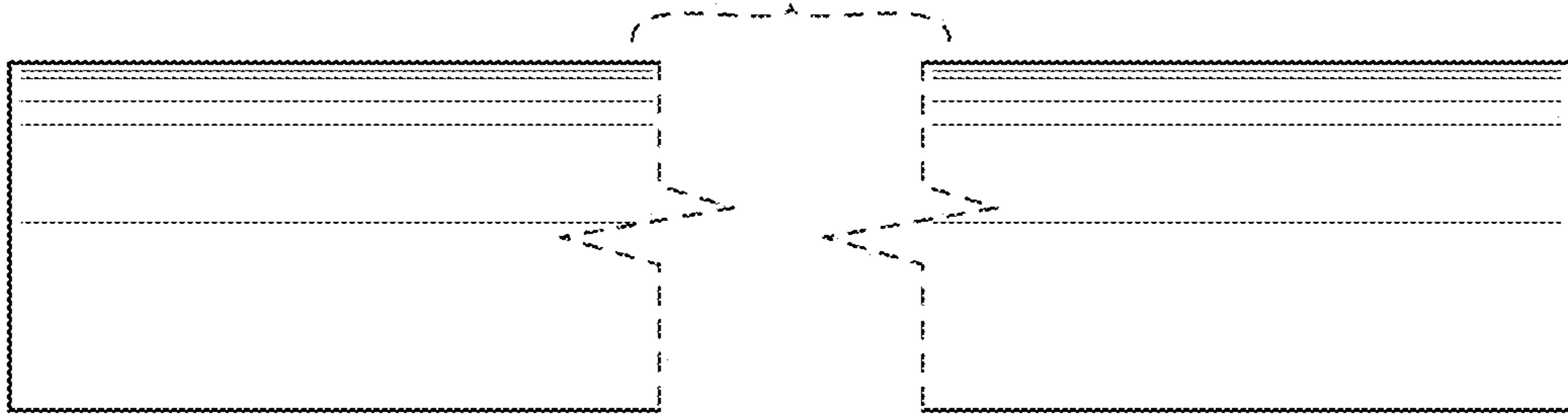


FIG. 3

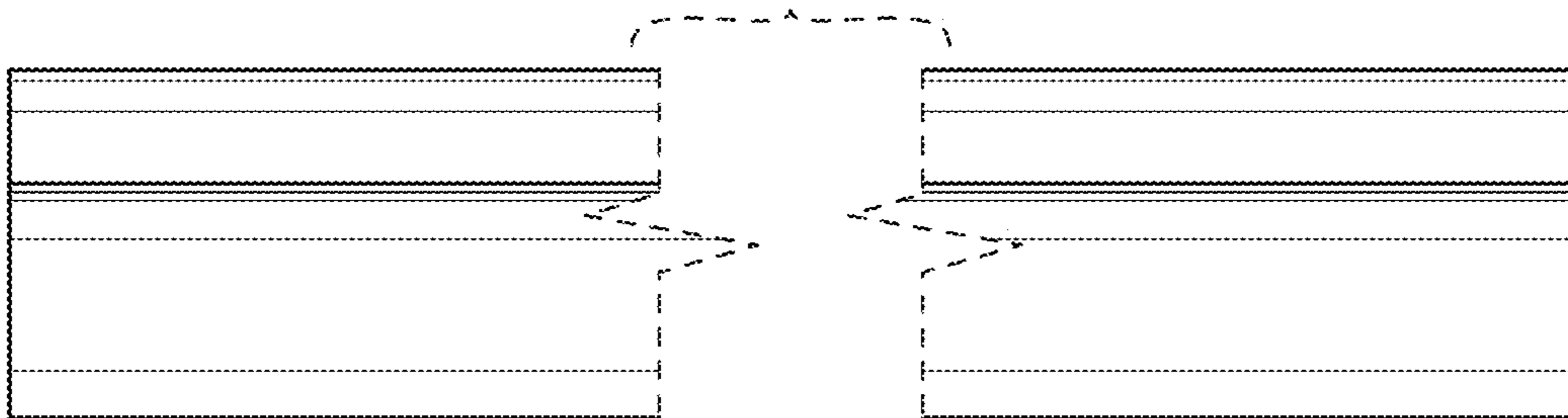


FIG. 4

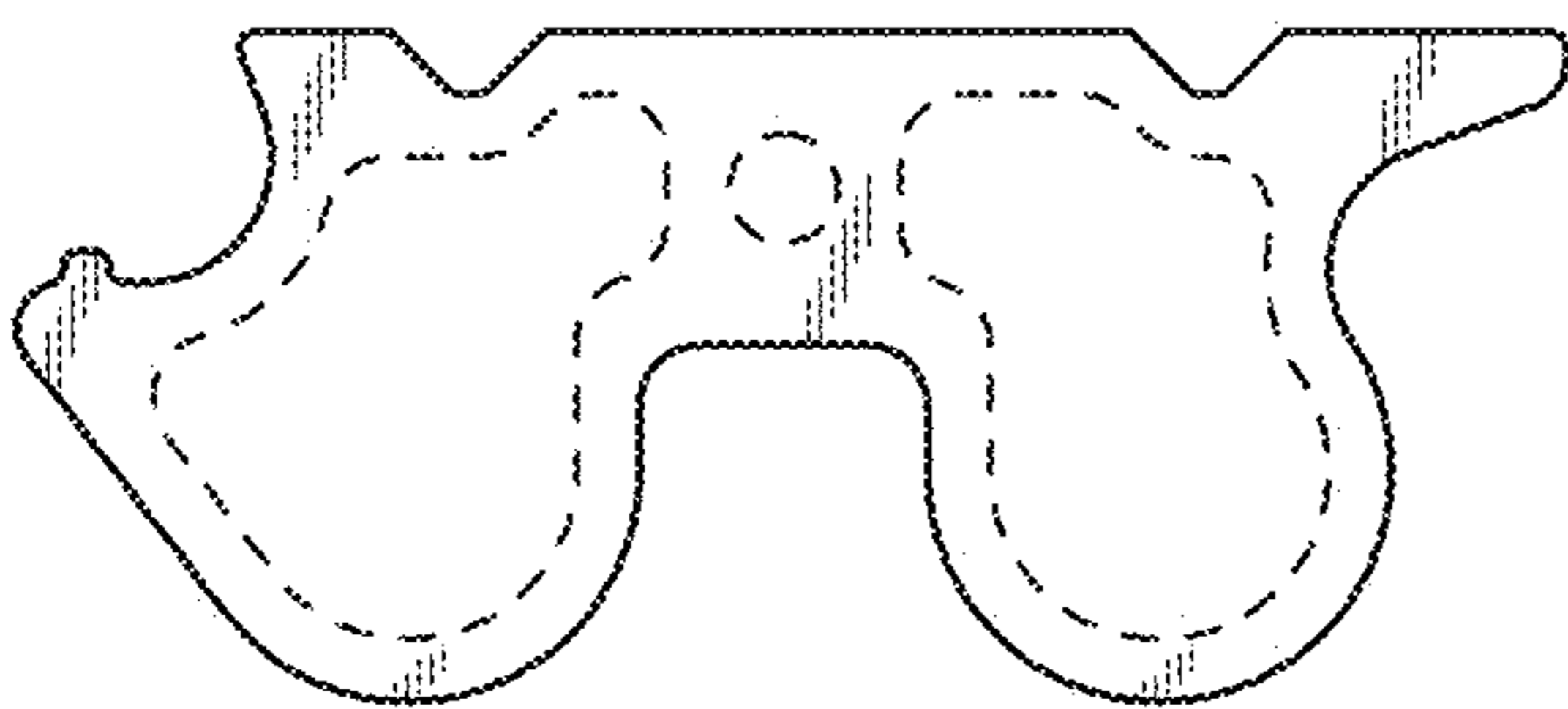


FIG. 5

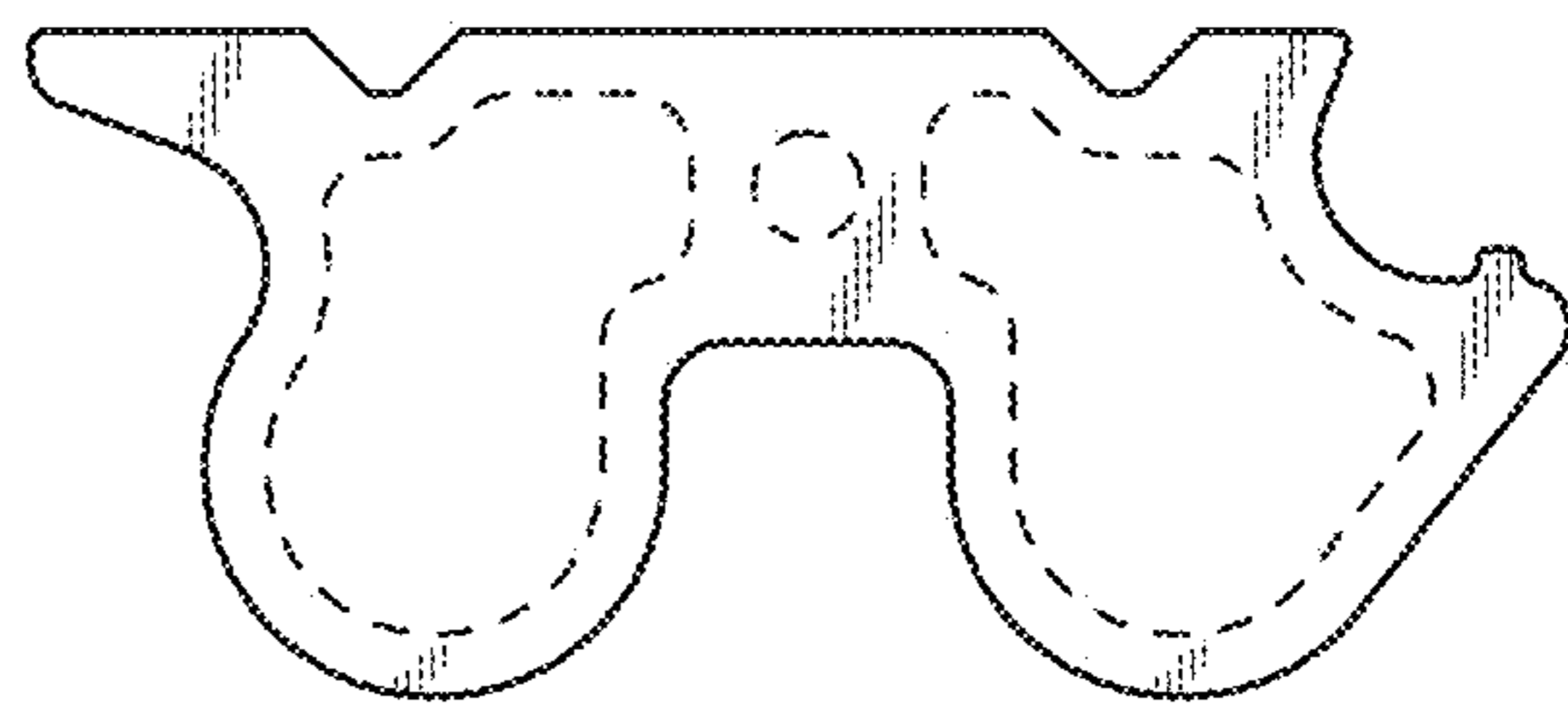


FIG. 6

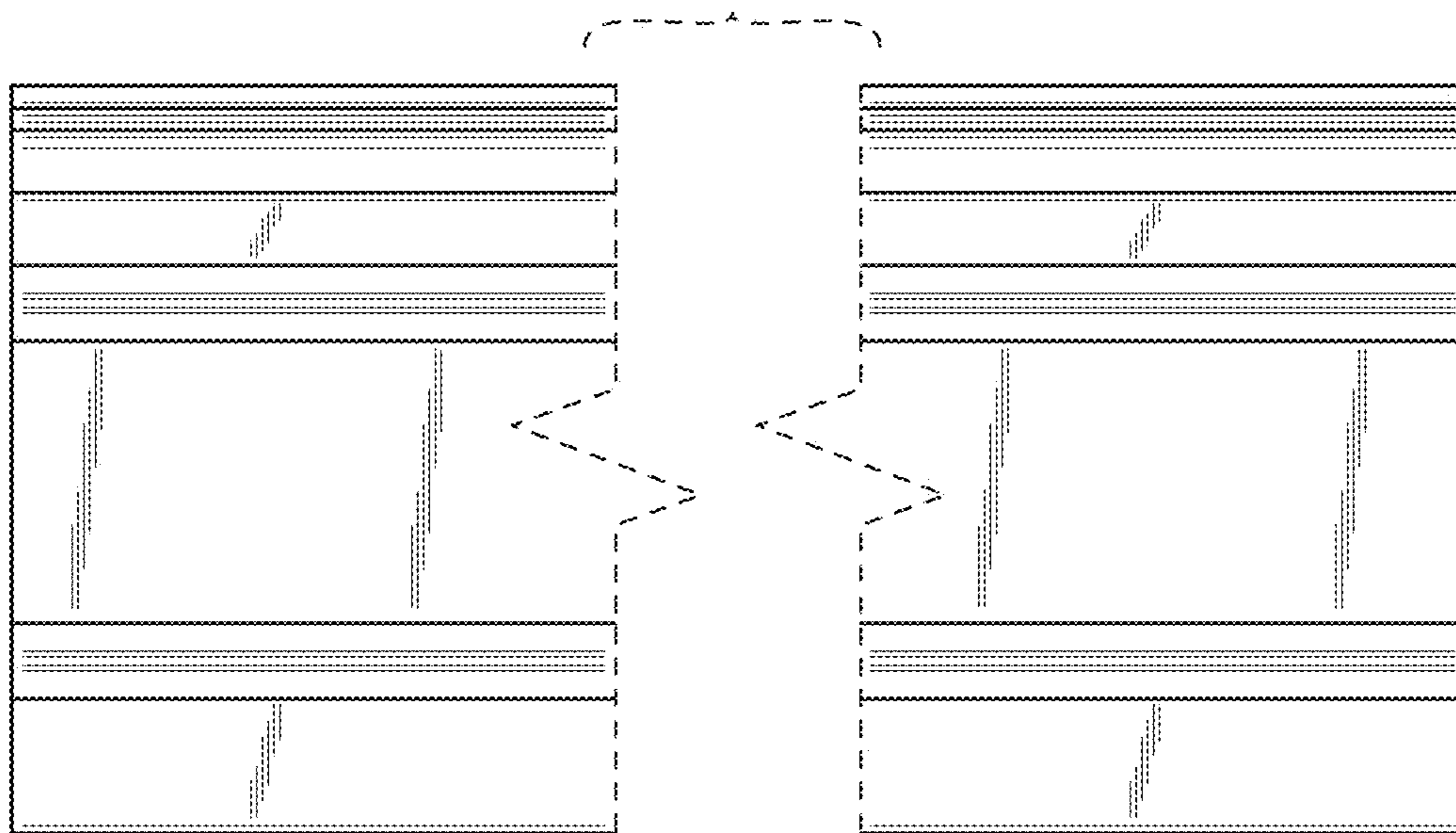


FIG. 7

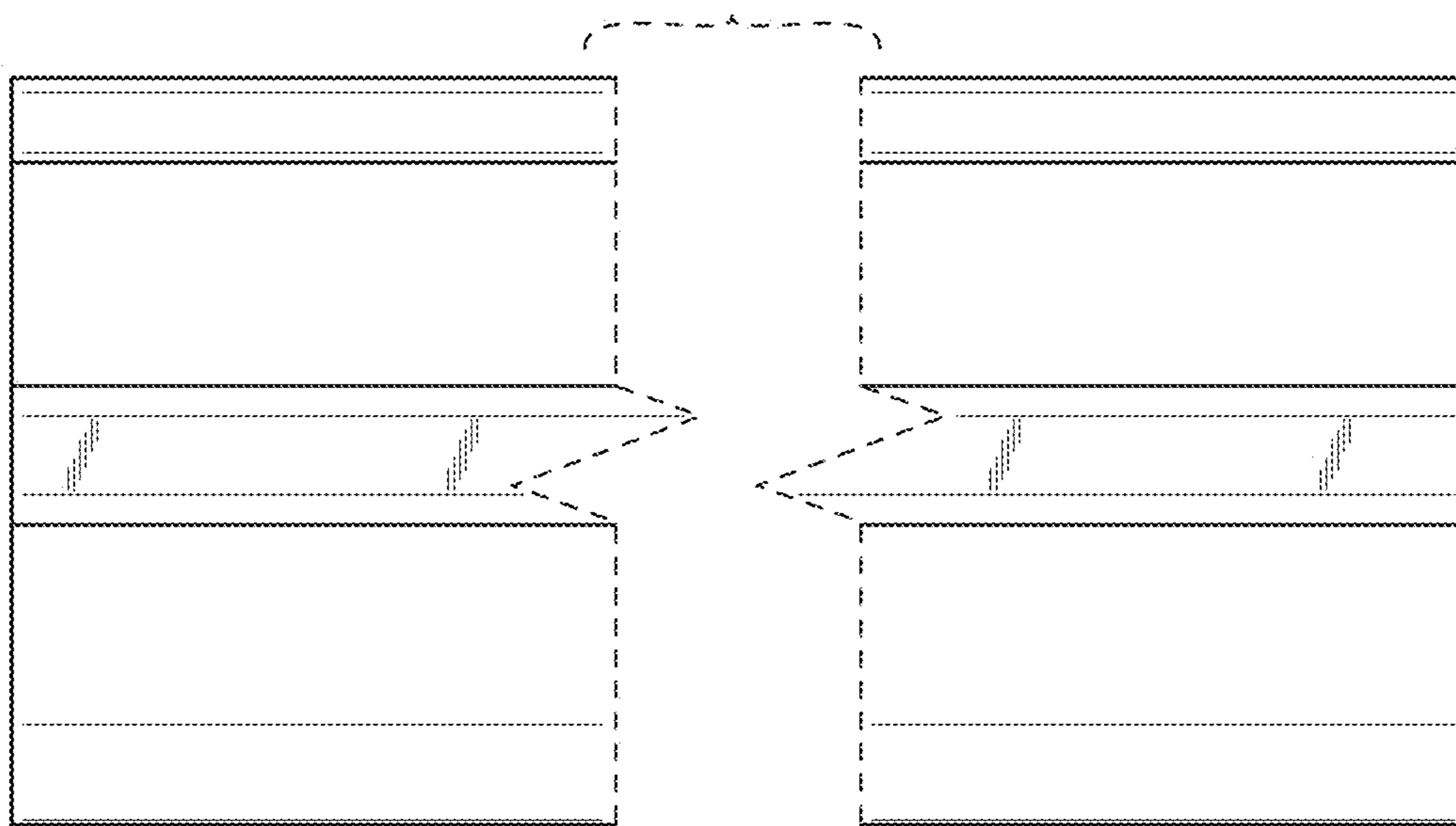


FIG. 8