



US00D936326S

(12) **United States Design Patent**
Currier, III

(10) **Patent No.:** **US D936,326 S**

(45) **Date of Patent:** **** Nov. 16, 2021**

(54) **PROTECTIVE INTERFACE DEVICE**

(71) Applicant: **George Tyler Currier, III**, North Brunswick, NJ (US)

(72) Inventor: **George Tyler Currier, III**, North Brunswick, NJ (US)

(**) Term: **15 Years**

(21) Appl. No.: **29/754,380**

(22) Filed: **Oct. 9, 2020**

Related U.S. Application Data

(63) Continuation-in-part of application No. 29/732,915, filed on Apr. 28, 2020, now abandoned.

(51) **LOC (13) Cl.** **12-02**

(52) **U.S. Cl.**
USPC **D34/27**

(58) **Field of Classification Search**
USPC D34/27; D12/317; D25/119, 121;
D13/155; D19/26, 32

(Continued)

(56) **References Cited**

U.S. PATENT DOCUMENTS

D208,198 S 8/1967 Gould
D215,157 S 9/1969 Edmondson

(Continued)

FOREIGN PATENT DOCUMENTS

CN 108860278 A 11/2018
CN 108696108 A 12/2018

(Continued)

OTHER PUBLICATIONS

Google search Feb. 23, 2021, Handle Pop, <https://coolmompicks.com/blog/2020/07/07/handle-pop-silicone-supermarket-cart-handle/> (Year: 2021).*

(Continued)

Primary Examiner — Cynthia Ramirez

(74) *Attorney, Agent, or Firm* — Lewis Roca Rothgerber Christie LLP

(57) **CLAIM**

The ornamental design for a protective interface device, as shown.

DESCRIPTION

FIG. 1 is a perspective view of a protective interface device showing my new design;

FIG. 2 is a front elevational view of the device illustrated in FIG. 1;

FIG. 3 is a rear elevational view of the device illustrated in FIGS. 1 and 2;

FIG. 4 is a left-side elevational view of the device illustrated in FIGS. 1-3;

FIG. 5 is a right-side elevational view of the device illustrated in FIGS. 1-4;

FIG. 6 is a top plan view of the device illustrated in FIGS. 1-5;

FIG. 7 is a bottom plan view of the device illustrated in FIGS. 1-6;

FIG. 8 is a perspective view of another embodiment of a protective interface device showing my new design;

FIG. 9 is a front elevational view of the device illustrated in FIG. 8;

FIG. 10 is a rear elevational view of the device illustrated in FIGS. 8 and 9;

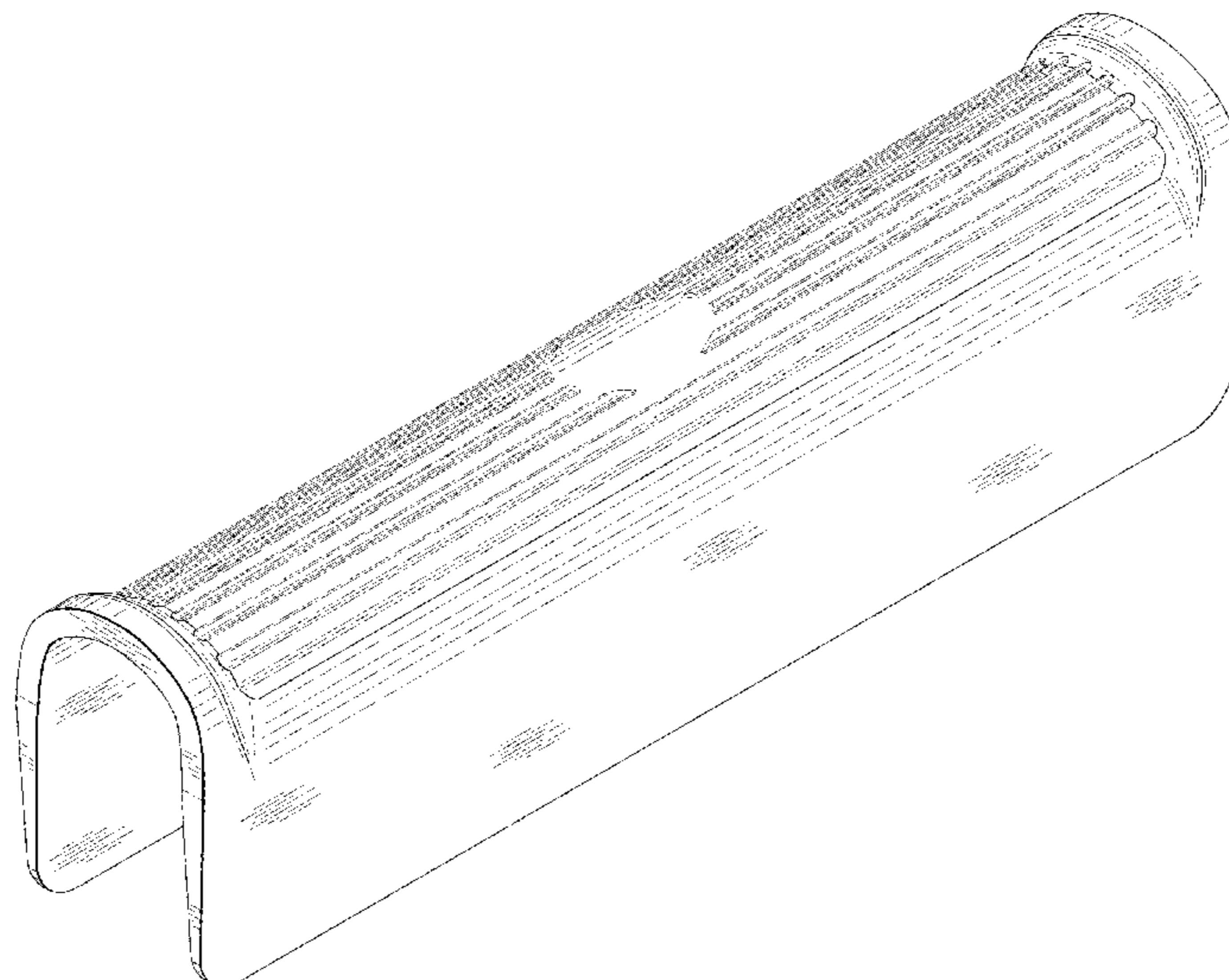
FIG. 11 is a left-side elevational view of the device illustrated in FIGS. 8-10;

FIG. 12 is a right-side elevational view of the device illustrated in FIGS. 8-11;

FIG. 13 is a top plan view of the device illustrated in FIGS. 8-12; and,

FIG. 14 is a bottom plan view of the device illustrated in FIGS. 8-13.

1 Claim, 8 Drawing Sheets



(58) **Field of Classification Search**
 CPC B62B 3/1428; B62B 3/1444; B62B 3/1416
 See application file for complete search history.

(56) **References Cited**
 U.S. PATENT DOCUMENTS

3,866,649	A	2/1975	Bringmann	
4,305,265	A	12/1981	Burgas	
D298,077	S	10/1988	Goodwin	
4,881,746	A	11/1989	Andreesen	
4,955,914	A	9/1990	Caniglia et al.	
D324,368	S	3/1992	Zirkelbach et al.	
D328,812	S	8/1992	Pritchett	
5,160,105	A	11/1992	Miller	
D351,668	S	10/1994	Lim et al.	
5,503,297	A	4/1996	Frankel	
D370,110	S	5/1996	Beam	
5,658,029	A	8/1997	Franko	
5,715,571	A	2/1998	Fasano	
5,836,322	A	11/1998	Borger et al.	
D403,540	S	1/1999	Williams	
D412,609	S	8/1999	Karp et al.	
D425,681	S	5/2000	Johnson et al.	
6,065,764	A	5/2000	Moseley	
6,158,640	A	12/2000	Karp et al.	
6,817,066	B1	11/2004	Williams et al.	
D505,909	S	6/2005	Erskine et al.	
6,926,291	B1	8/2005	Ondrasik	
6,981,707	B1	1/2006	Dandy	
D521,207	S	5/2006	Anderson et al.	
7,104,552	B2	9/2006	Swanson et al.	
7,188,858	B2	3/2007	Hartenstine et al.	
7,213,603	B2	5/2007	Pinsky	
7,281,718	B2	10/2007	Malchow	
7,430,779	B1	10/2008	Garry	
D635,733	S	4/2011	Willig et al.	
8,109,524	B1	2/2012	Toohey et al.	
D657,300	S	4/2012	Wright	
8,234,734	B2	8/2012	Perry	
D689,824	S	9/2013	Ng et al.	
D707,009	S	6/2014	Walter	
D732,260	S	6/2015	Wiley	
D743,663	S	11/2015	Hoffheimer	
9,534,764	B2	1/2017	Trajlinek et al.	
D778,841	S	2/2017	Seever	
D813,487	S	3/2018	Eskridge	
D905,370	S *	12/2020	Poirier D34/27	
2004/0149608	A1	8/2004	Laux et al.	
2006/0202438	A1	9/2006	Helmy et al.	
2007/0126193	A1	6/2007	Hess	
2008/0191434	A1	8/2008	Herron	

2008/0303230	A1	12/2008	Somberg	
2010/0147723	A1	6/2010	Farrell et al.	
2011/0011995	A1	1/2011	Tridon de Rey	
2011/0148056	A1	6/2011	Niernberger	
2011/0182769	A1	7/2011	Rich	
2013/0313297	A1	11/2013	Belby et al.	
2014/0076757	A1	3/2014	Fredankey, Sr.	
2016/0339937	A1	11/2016	Dyer et al.	
2017/0296856	A1	10/2017	Burke	
2018/0229746	A1	8/2018	Bacallao	
2019/0119892	A1	4/2019	Patterson et al.	
2019/0291764	A1 *	9/2019	Heiman B62B 5/00	
2020/0223467	A1 *	7/2020	Olbrich B62B 3/1472	

FOREIGN PATENT DOCUMENTS

DE	2453480	A1	5/1976
GB	2221971	A	2/1990
GB	2271094	A	4/1994
JP	2005289419	A	10/2005
KR	101667162	B1	10/2016

OTHER PUBLICATIONS

Google search Amazon, Feb. 23, 2021, dbest products Germ Guard, /www.amazon.com/dbest-products-Contactless-Supermarket-Alternative/dp/B087ZRZFC?th=1 (Year: 2021).*

Google search, Klean Grips, Feb. 23, 2021, https://klean-grips.squarespace.com/new-products (Year: 2021).*

Shopping Cart Handle Covers—https://lookieloops.com/collections/cootie-loops Web Page Retrieved Oct. 2, 2020.

NICEMEET 4PCS/Pack Universal Protective Covers for Baby Cart Handle, Baby Stroller Armrest Leather Cover, Armrest Handle Covers—https://www.amazon.ca/NICEMEET-Universal-Protective-Stroller-Armrest/dp/B07WZFJS32 Web Page Retrieved Oct. 2, 2020.

Kleangrips—https://kleangrips.com/collections/all Web Page Retrieved Oct. 2, 2020.

Cart Cuff Shopping Cart Handle Cover Protects Hands from Germs—https://www.amazon.com/Shopping-Handle-Cover-Protects-Hands/dp/B007S07GN4/ref=redir_mobile_desktop?ie=UTF8&%2AVersion%2A=1&%2Aentries%2A=0 Web Page Retrieved Oct. 9, 2020.

U.S. Appl. No. 16/950,693, filed Nov. 17, 2020, entitled “Protective Interface Device With Complementary Case, Stand, and Satchel”.

U.S. Appl. No. 17/187,342, filed Feb. 26, 2021, entitled “Protective Interface Device With Complementary Case, Stand and Satchel”.

U.S. Appl. No. 17/187,461, filed Feb. 26, 2021, entitled “Protective Interface Device With Complementary Case, Stand and Satchel”.

PCT International Search Report and Written Opinion for PCT/US2020/060911 entitled “Protective Interface Device With Complementary Case, Stand and Satchel” dated May 3, 2021, 17 pages.

* cited by examiner

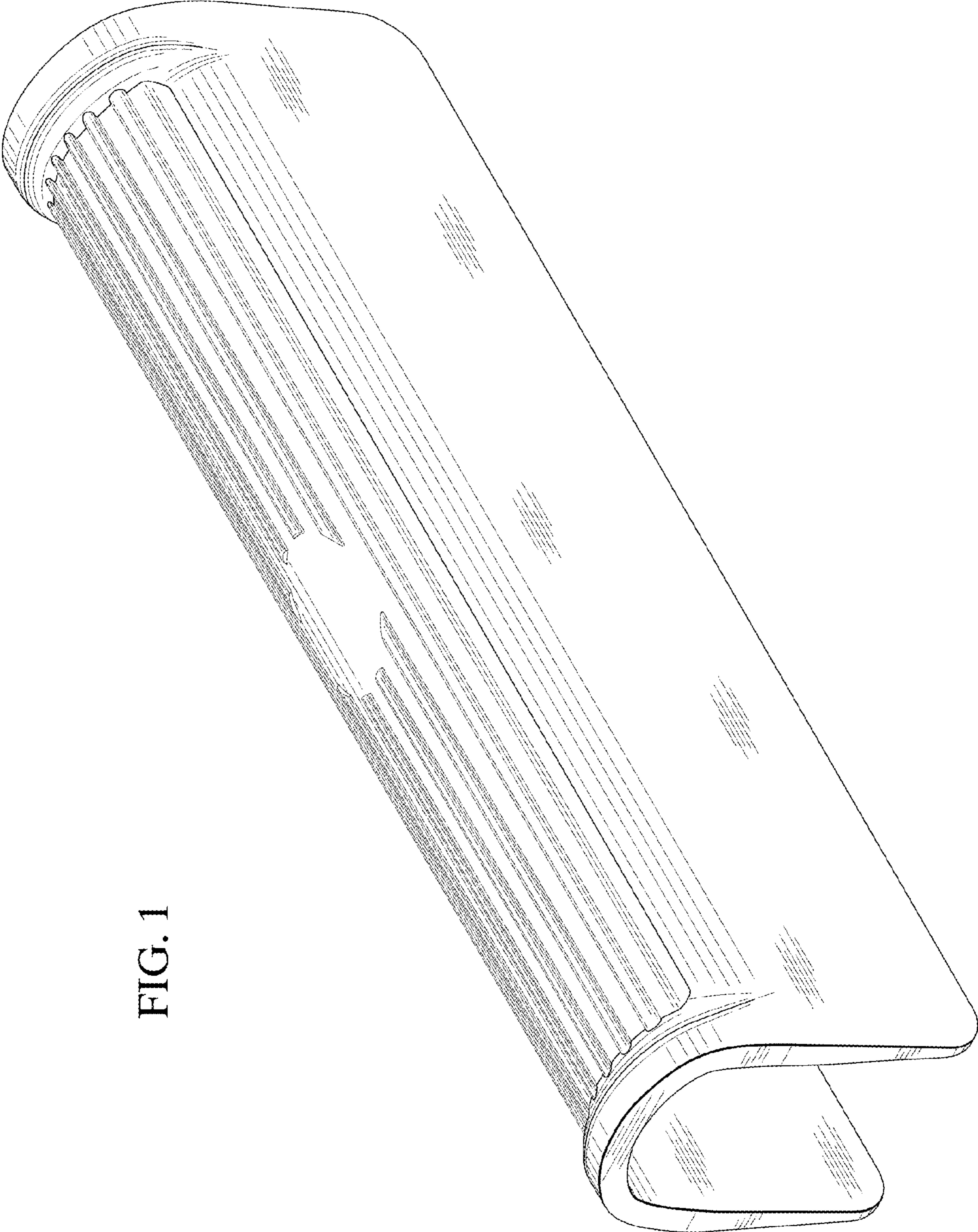


FIG. 1

FIG. 2

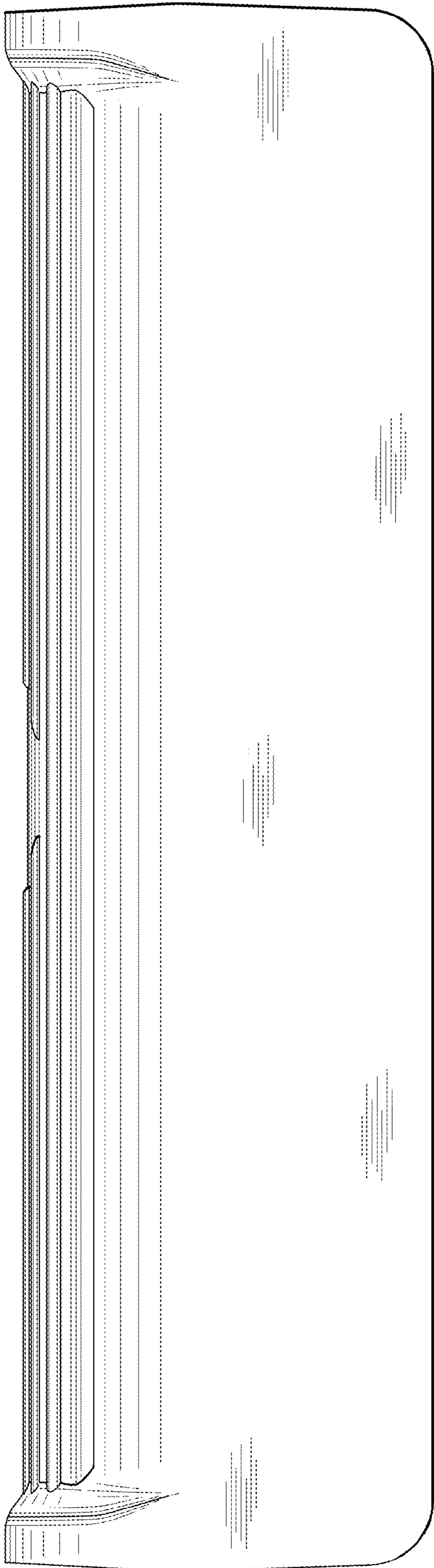
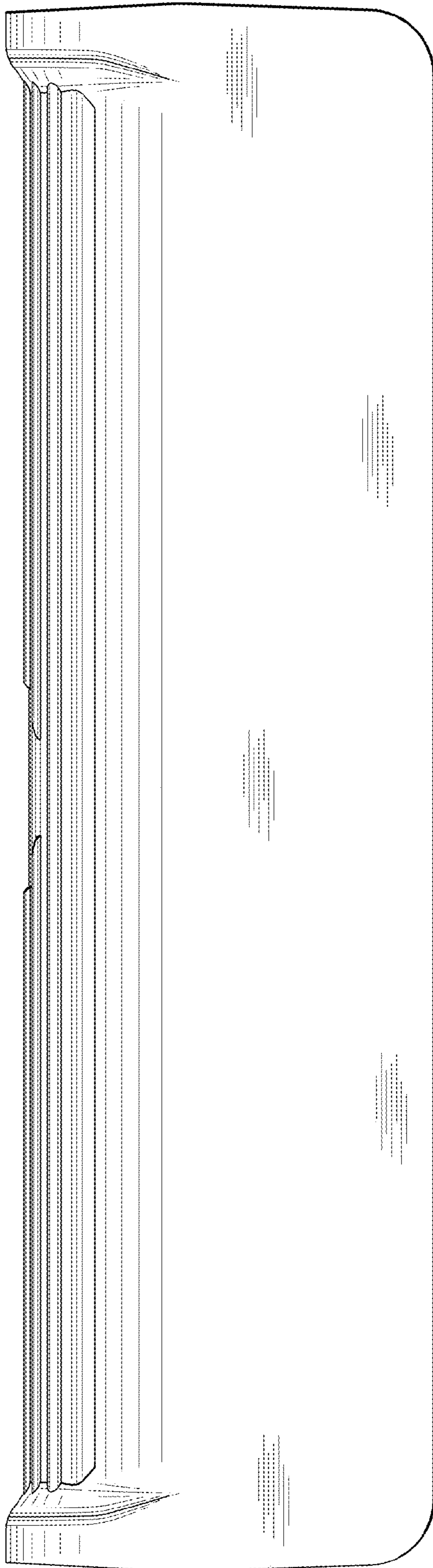


FIG. 3



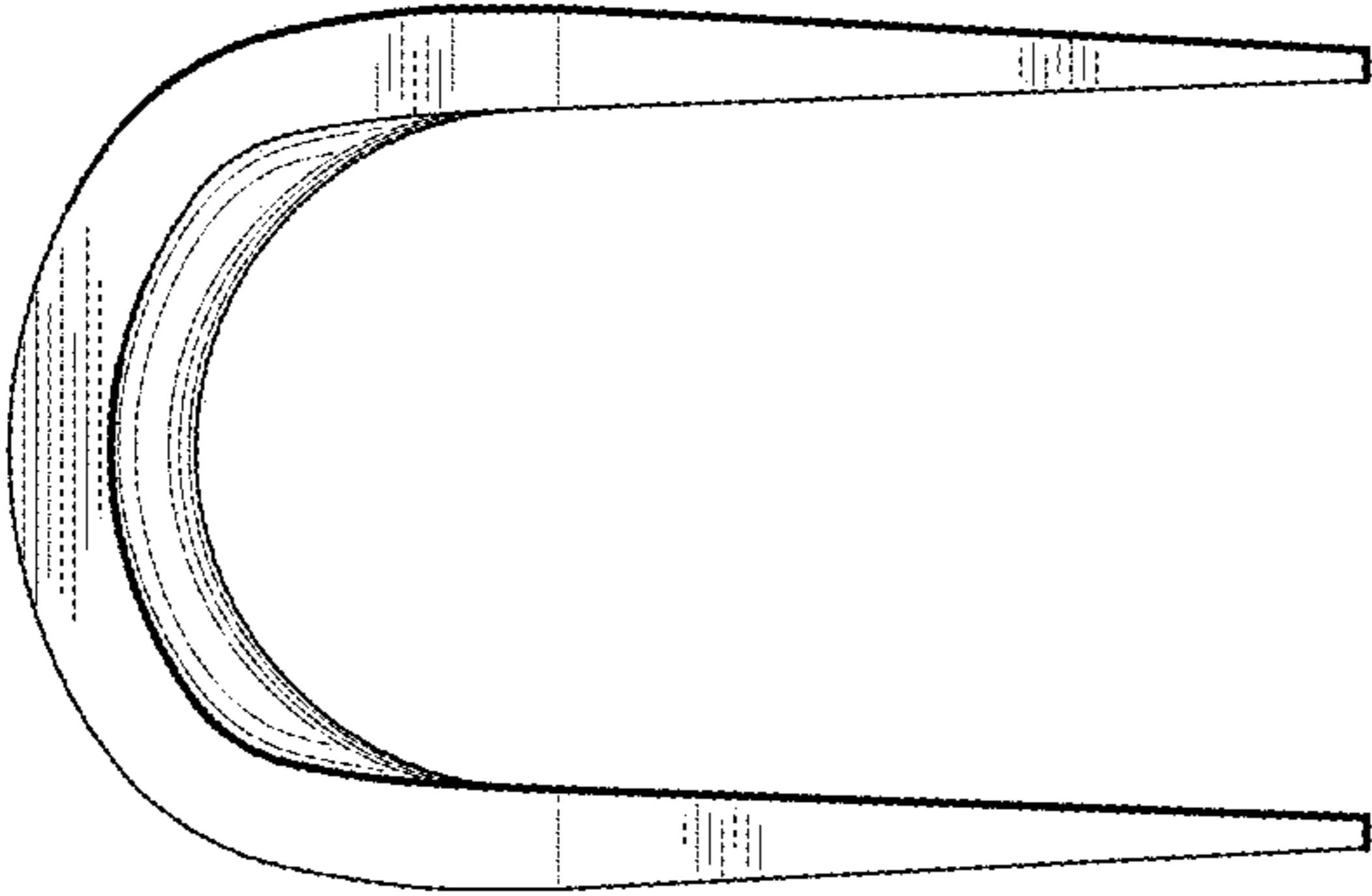


FIG. 4

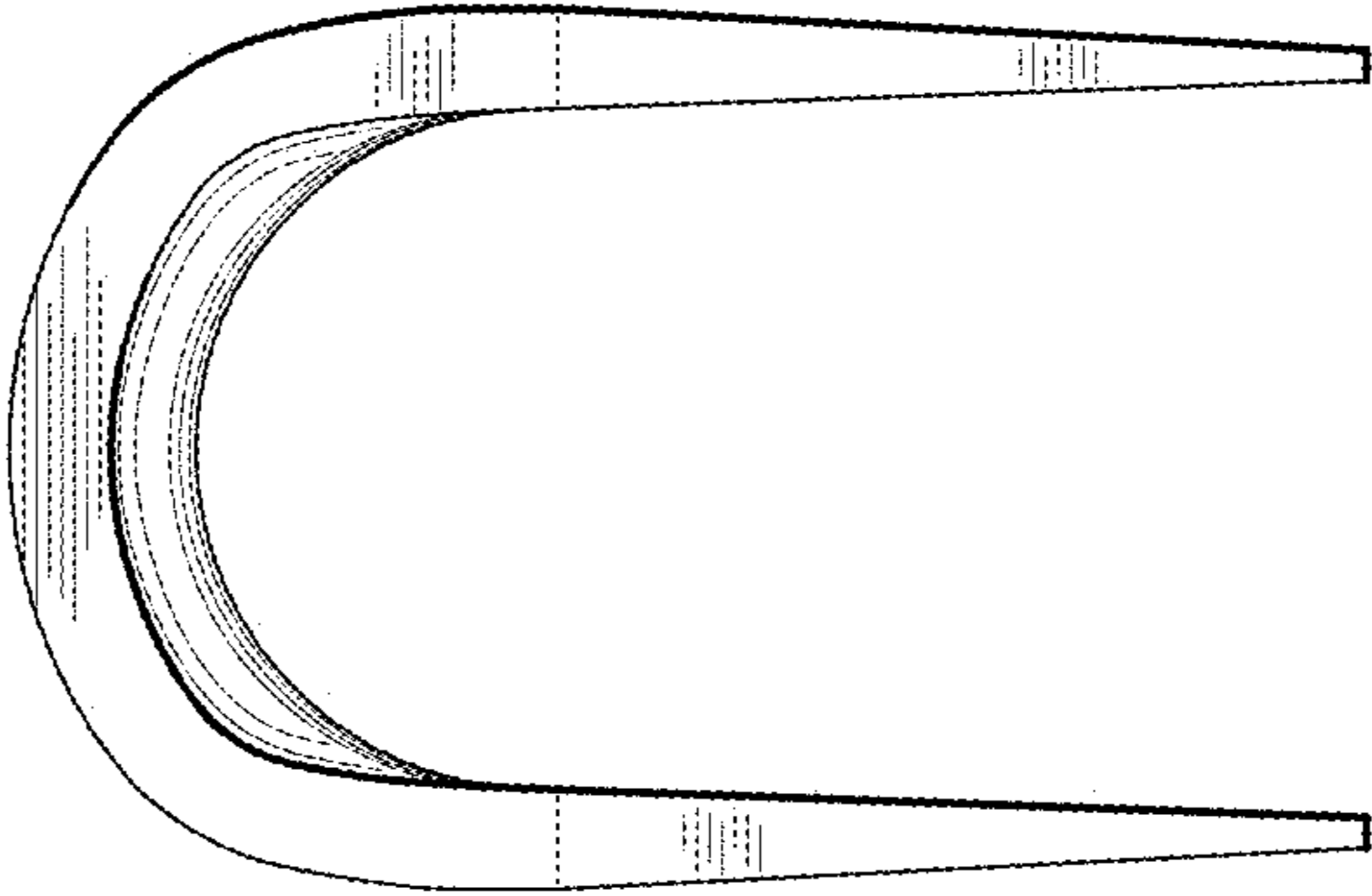


FIG. 5

FIG. 6

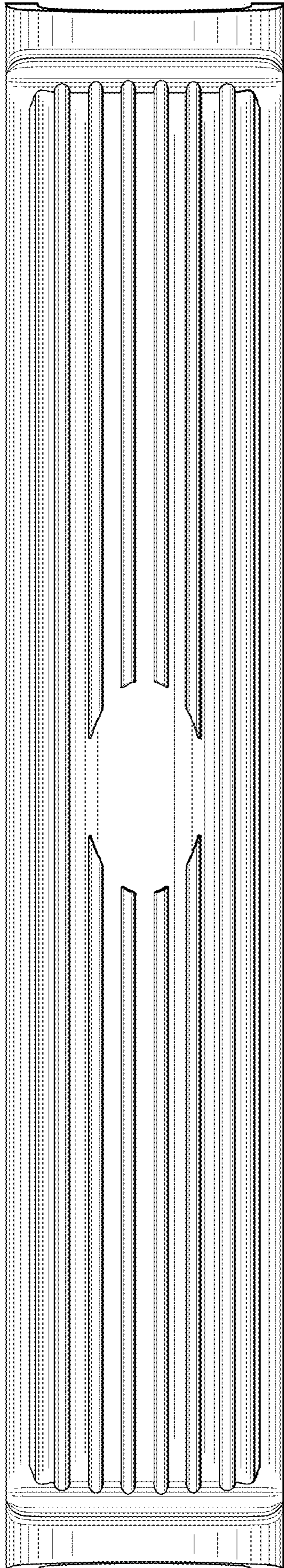


FIG. 7

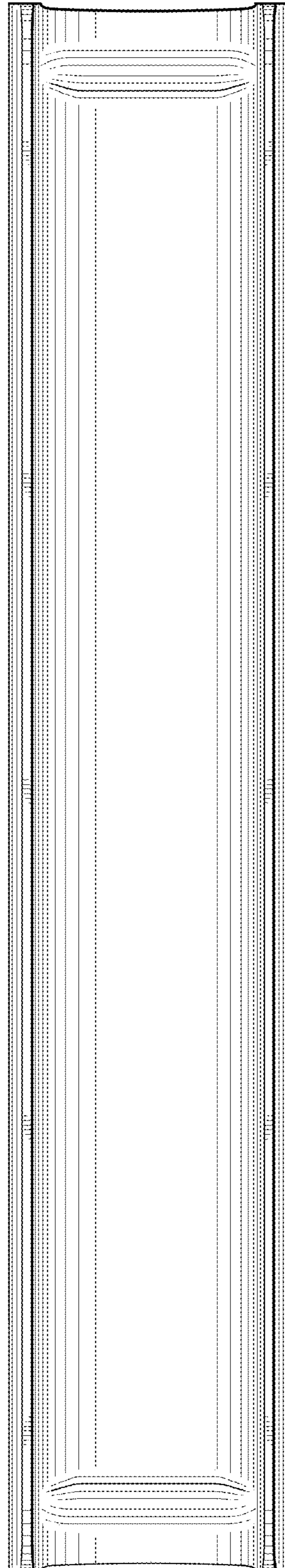


FIG. 8

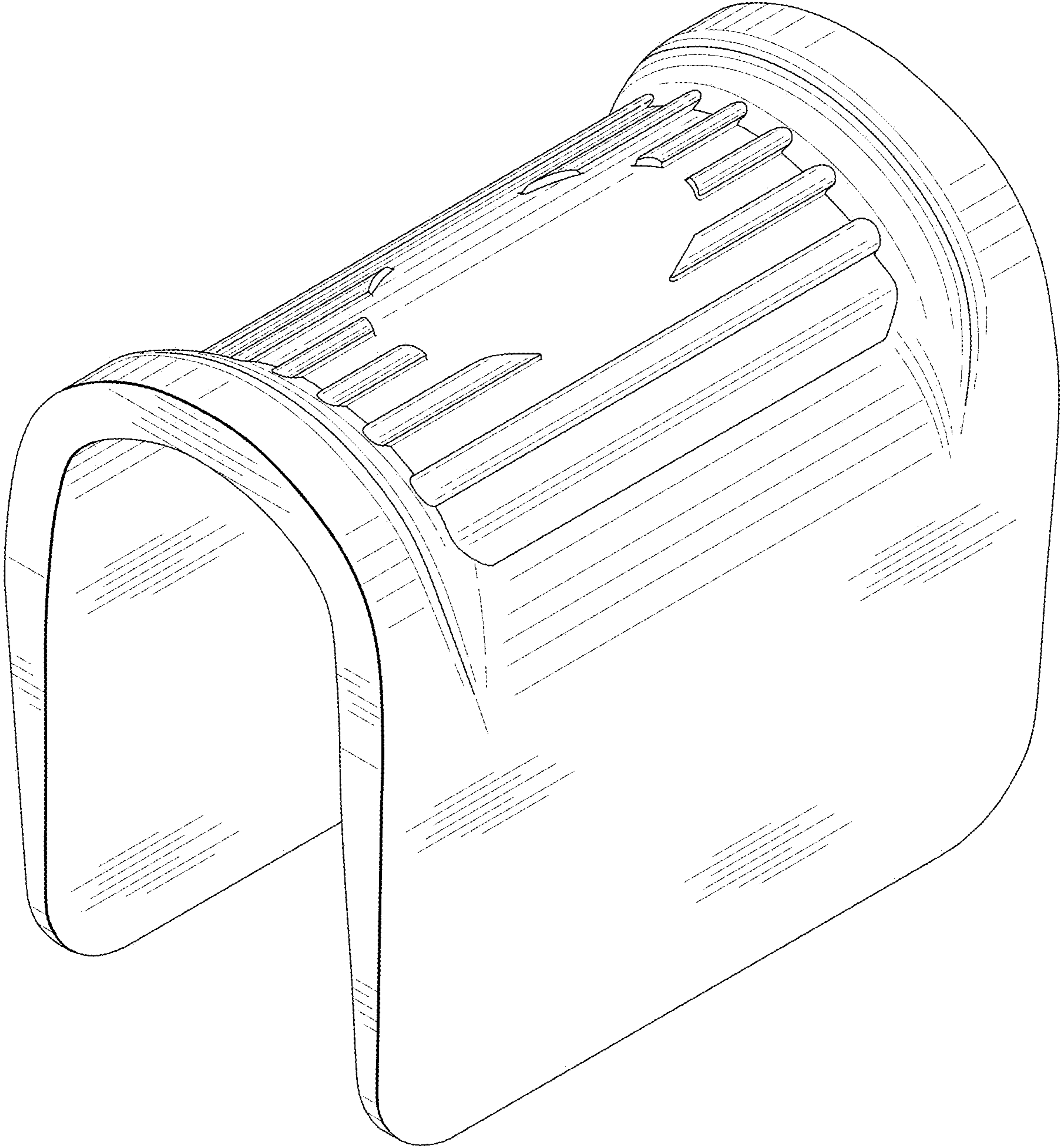


FIG. 9

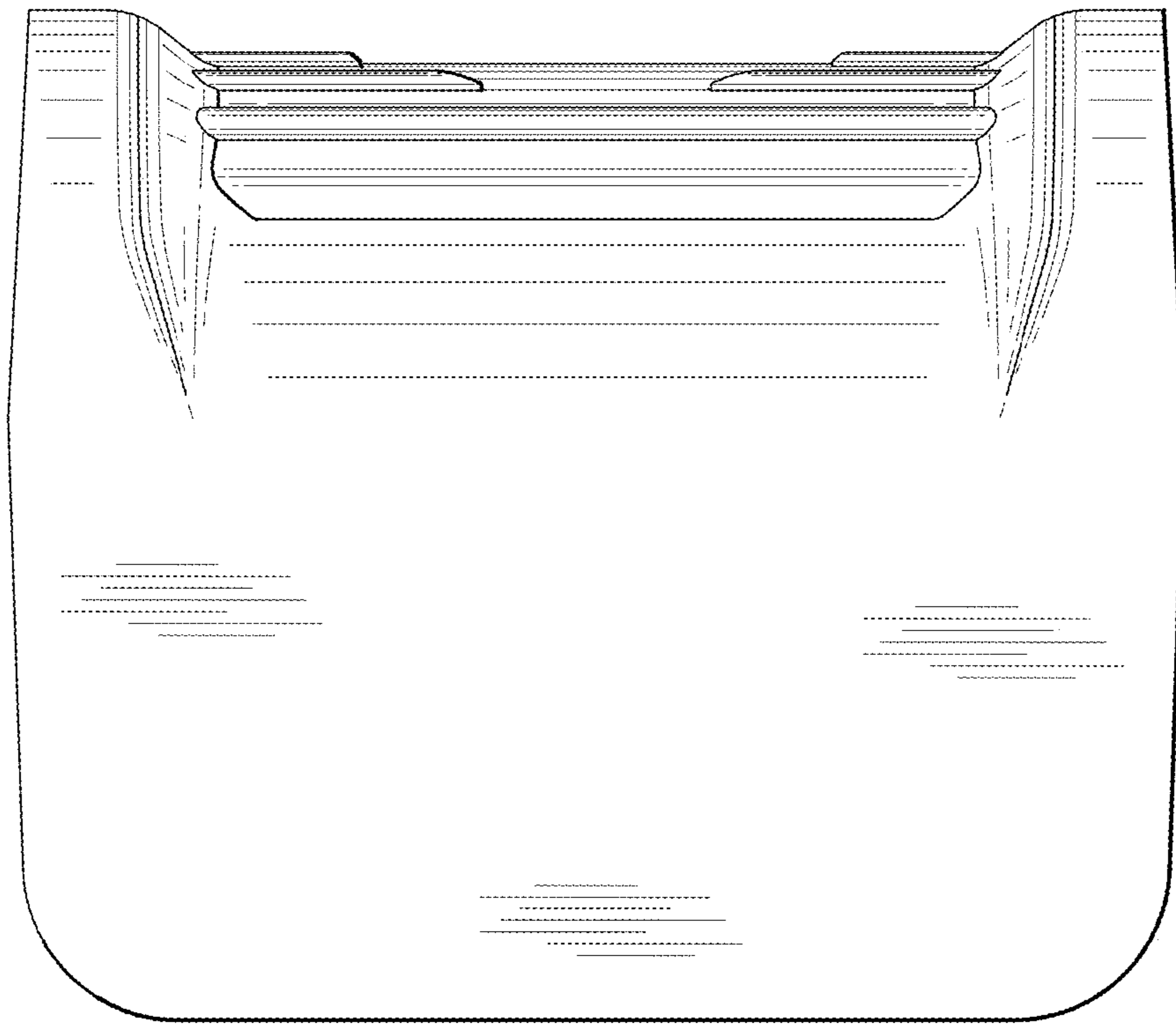


FIG. 10

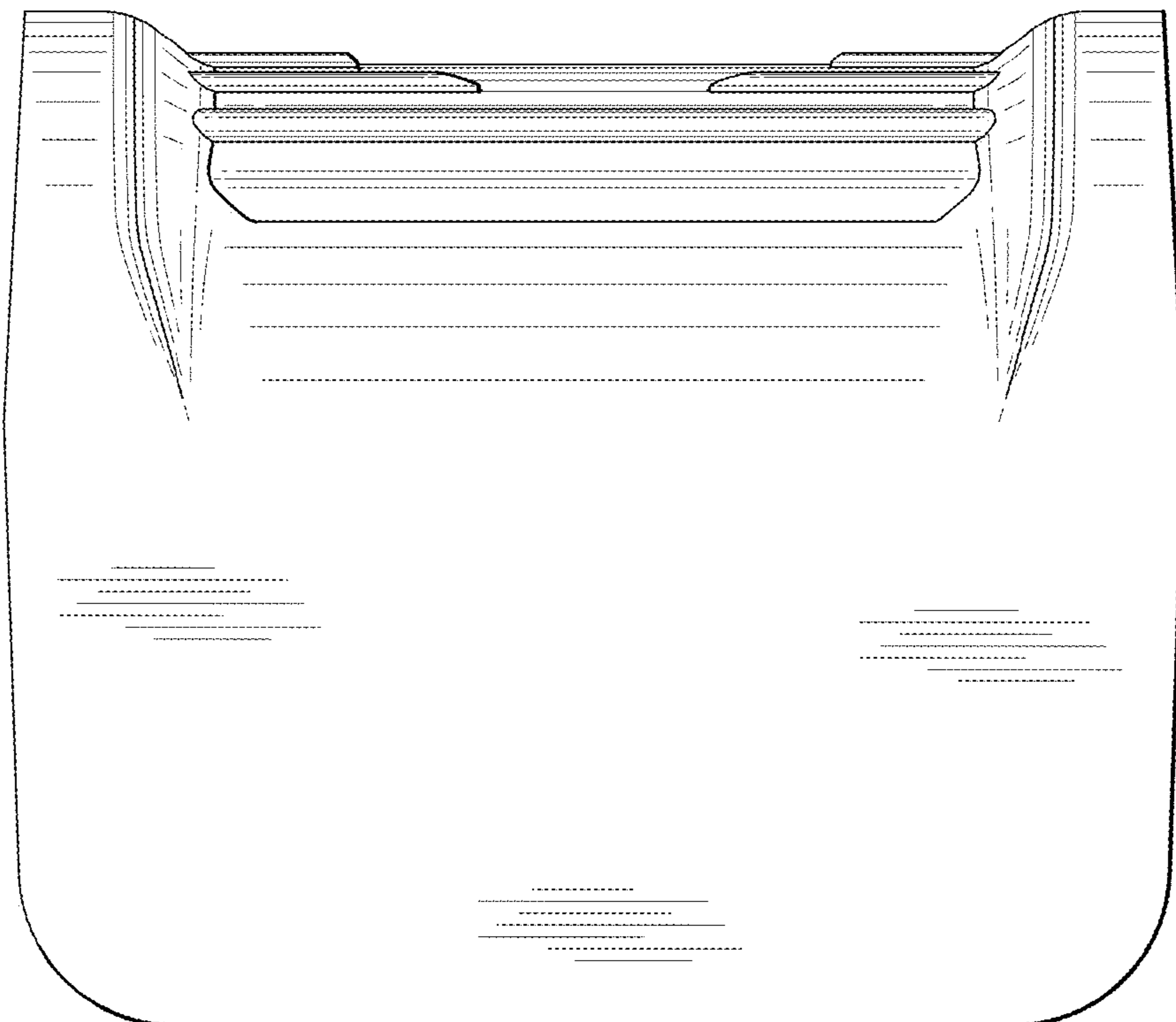


FIG. 11

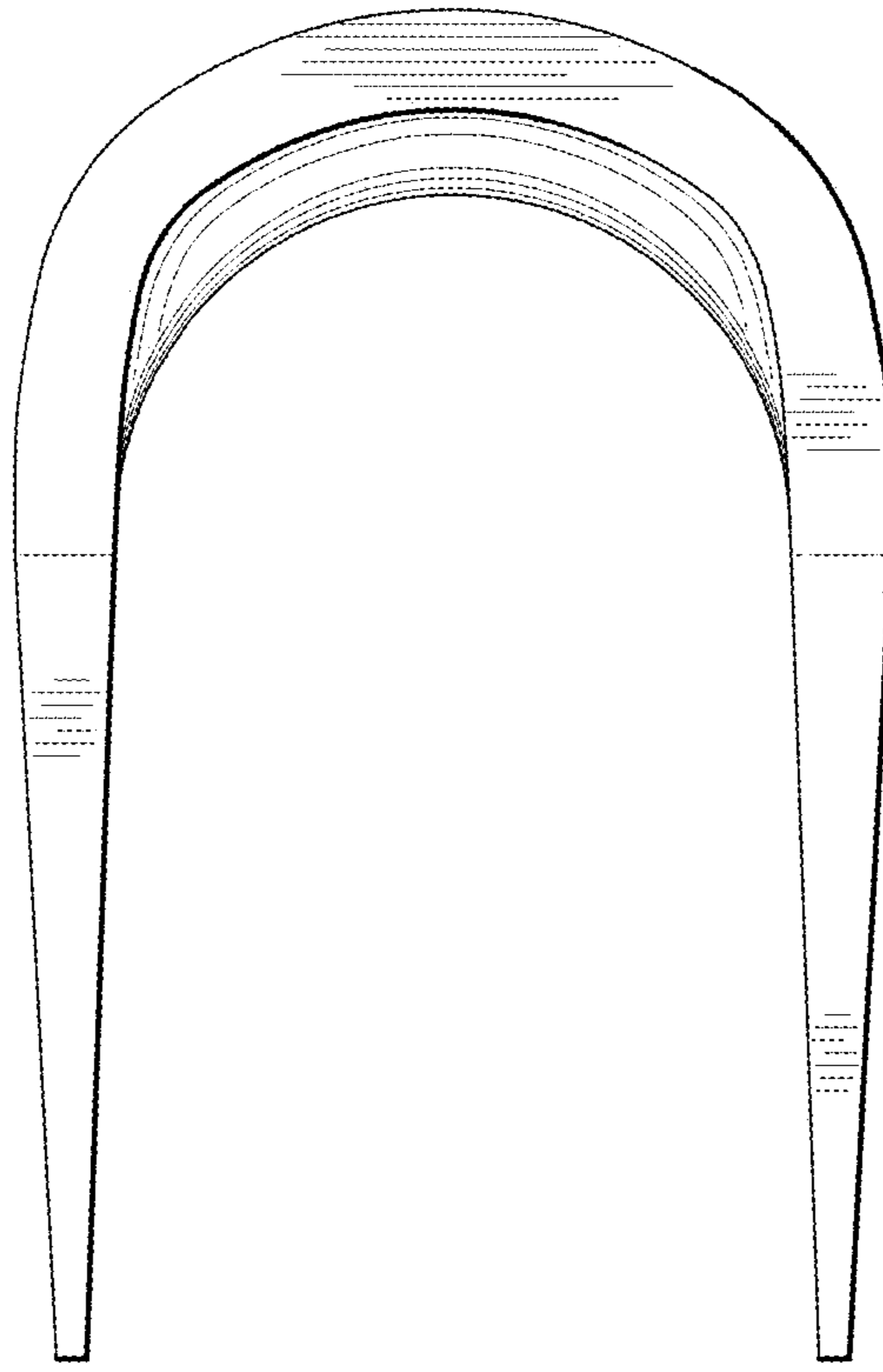


FIG. 12

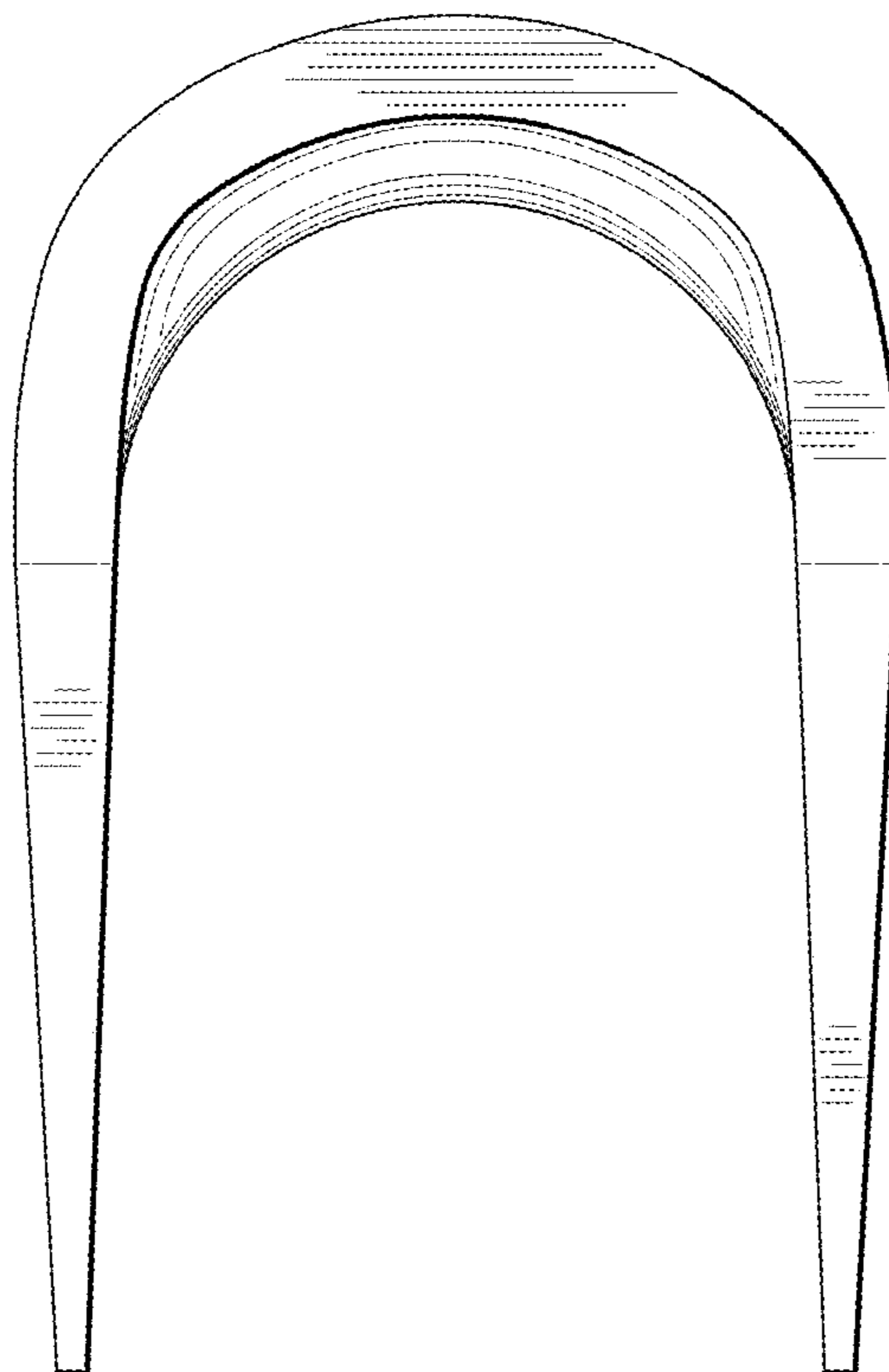


FIG. 13

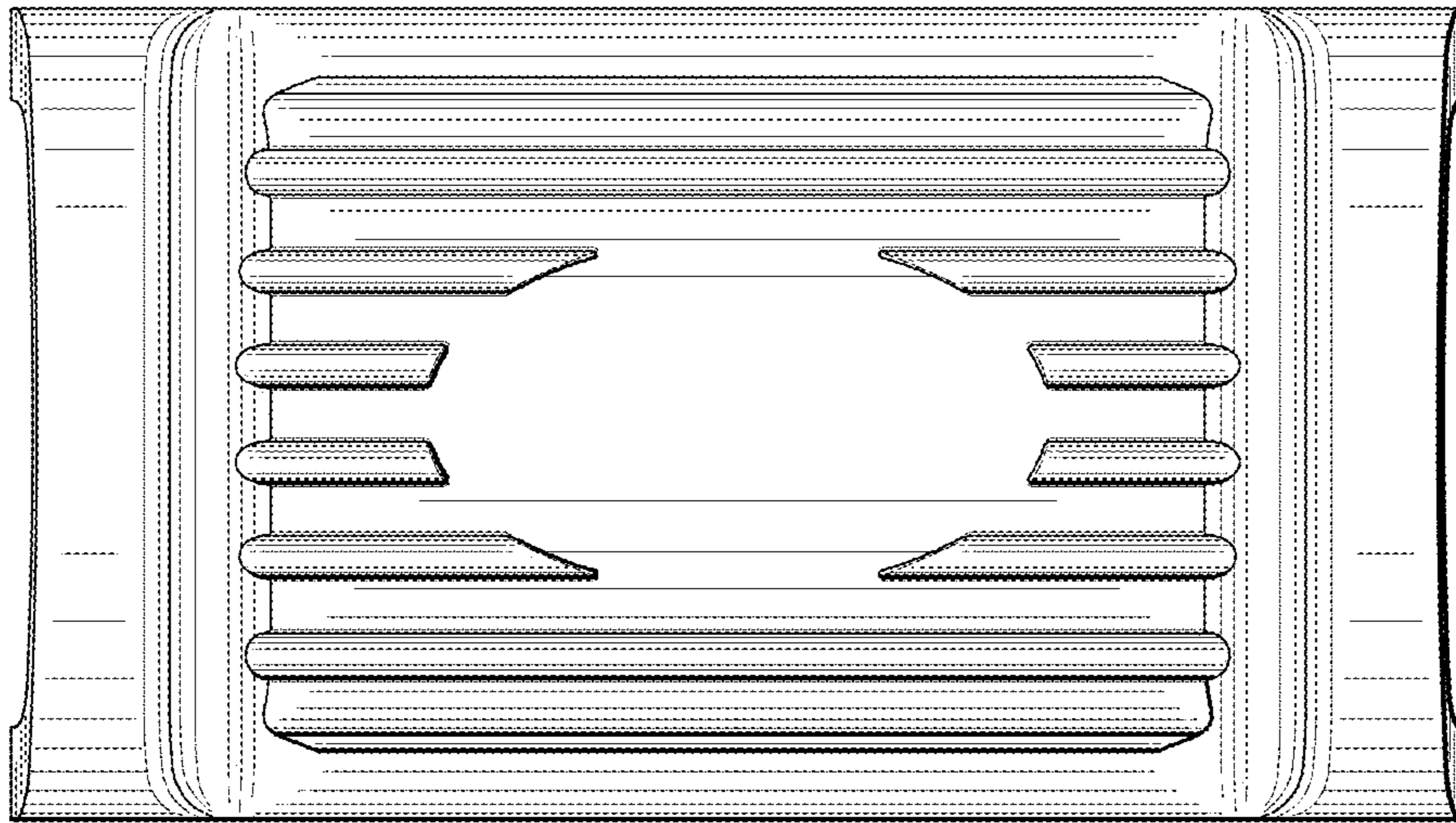


FIG. 14

