



US00D936324S

(12) **United States Design Patent**
Fitzgerald et al.

(10) **Patent No.:** **US D936,324 S**

(45) **Date of Patent:** **** Nov. 16, 2021**

- (54) **TRASH RECEPTACLE LID**
- (71) Applicant: **Valet Living, LLC**, Tampa, FL (US)
- (72) Inventors: **Thomas M. Fitzgerald**, Naples, FL (US); **David D. McClanahan**, Harleysville, PA (US); **Kelly Veatch**, Mt. Pleasant, SC (US)
- (73) Assignee: **Valet Living, LLC**, Tampa, FL (US)
- (**) Term: **15 Years**
- (21) Appl. No.: **29/737,567**
- (22) Filed: **Jun. 10, 2020**
- (51) **LOC (13) Cl.** **09-09**
- (52) **U.S. Cl.**
USPC **D34/11**
- (58) **Field of Classification Search**
USPC D34/1, 7, 8, 9, 10, 11
CPC B65F 1/163; B65F 1/16; B65F 2250/116;
B65F 2250/12; B65F 1/00; B65F 1/1638;
B65F 1/0033; B65F 1/122; B65F
2001/1669; B65D 5/6614
See application file for complete search history.

(56) **References Cited**

U.S. PATENT DOCUMENTS

D250,744 S *	1/1979	Morin	D34/5
D355,740 S *	2/1995	Kirchner	D34/1
D362,932 S *	10/1995	Brightbill	D32/37
D488,902 S *	4/2004	Yang	D34/8
D580,613 S *	11/2008	Yang	D34/7
D675,802 S *	2/2013	Yang	D34/7
D725,860 S *	3/2015	Spivey	D34/7
D762,037 S *	7/2016	Chen	D34/7
D790,145 S *	6/2017	Chen	D34/7
D792,673 S *	7/2017	Lloyd	D34/7
D796,766 S *	9/2017	Chen	D34/7
D809,729 S *	2/2018	Chen	D34/7

D836,278 S *	12/2018	Berberet	B08B 9/08 D34/7
D855,919 S *	8/2019	Yang	D34/7
D860,570 S *	9/2019	Chen	D34/7
D871,012 S *	12/2019	Chen	D34/7
D872,959 S *	1/2020	Chen	D34/7
D872,960 S *	1/2020	Chen	D34/7
D877,441 S *	3/2020	Zhou	D34/9
D903,217 S *	11/2020	Smeets	D34/7
D905,367 S *	12/2020	Smeets	D34/9
D909,002 S *	1/2021	Chang	D34/9
D915,021 S *	3/2021	Massar	D34/7
D922,718 S *	6/2021	Wang	D34/11
2009/0230131 A1 *	9/2009	McDuffie	B65F 1/163 220/495.06
2011/0049149 A1 *	3/2011	Shih	B65F 1/1607 220/260
2011/0220648 A1 *	9/2011	Yang	B65F 1/1638 220/211
2013/0277365 A1 *	10/2013	Kaufman	B65F 1/1623 220/8
2013/0298506 A1 *	11/2013	Lucas	B65B 1/02 53/452

(Continued)

Primary Examiner — Cynthia Ramirez

(74) *Attorney, Agent, or Firm* — Stanton IP Law Firm, P.A.

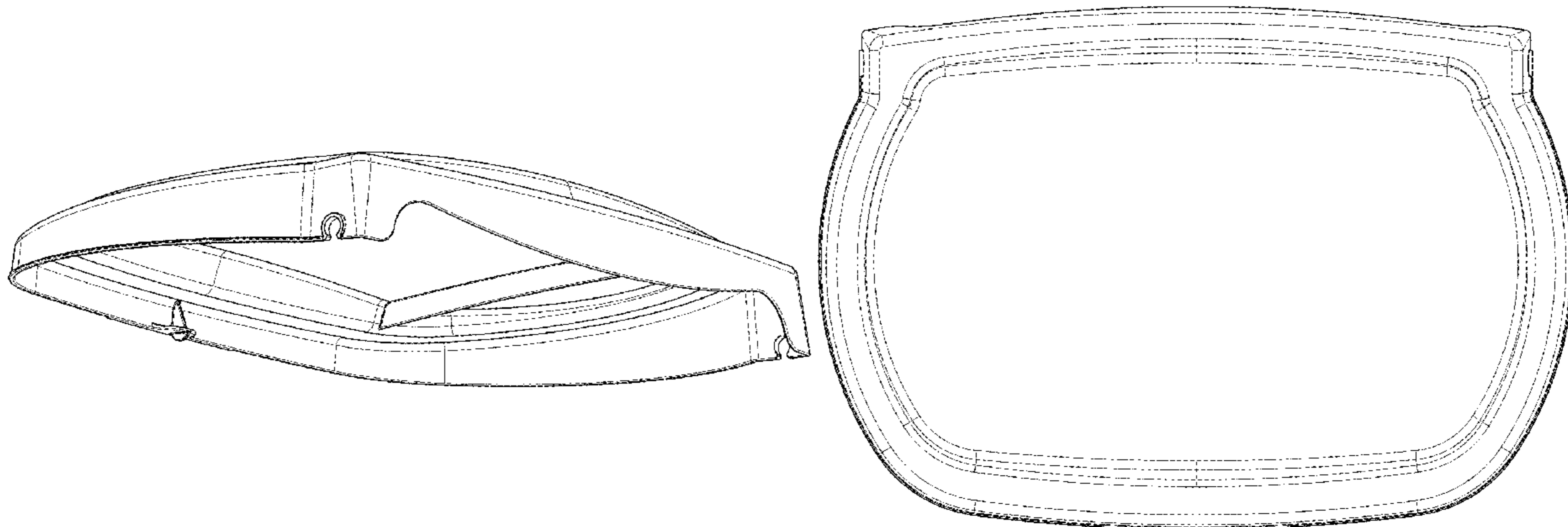
(57) **CLAIM**

The ornamental design for a trash receptacle lid, as shown and described.

DESCRIPTION

FIG. 1 is a bottom perspective view of the trash receptacle lid.
 FIG. 2 is a top plan view thereof;
 FIG. 3 is a bottom plan view thereof;
 FIG. 4 is a right-side view thereof;
 FIG. 5 is a left-side view thereof;
 FIG. 6 is a front elevational view thereof; and,
 FIG. 7 is a rear elevational view thereof.

1 Claim, 5 Drawing Sheets



(56)

References Cited

U.S. PATENT DOCUMENTS

2015/0251849 A1* 9/2015 Yang B65F 1/062
220/661
2016/0052711 A1* 2/2016 Fitzgerald B65F 1/06
220/495.08
2018/0079592 A1* 3/2018 Wang B65F 1/1646
2018/0305120 A1* 10/2018 Yang B65F 1/163
2019/0329977 A1* 10/2019 Sofy B65F 1/06
2020/0207544 A1* 7/2020 Pestl E05F 15/73
2020/0391939 A1* 12/2020 Wang A61L 2/24
2020/0391940 A1* 12/2020 Wang B65F 1/02
2021/0061559 A1* 3/2021 Fitzgerald B65F 1/1623

* cited by examiner

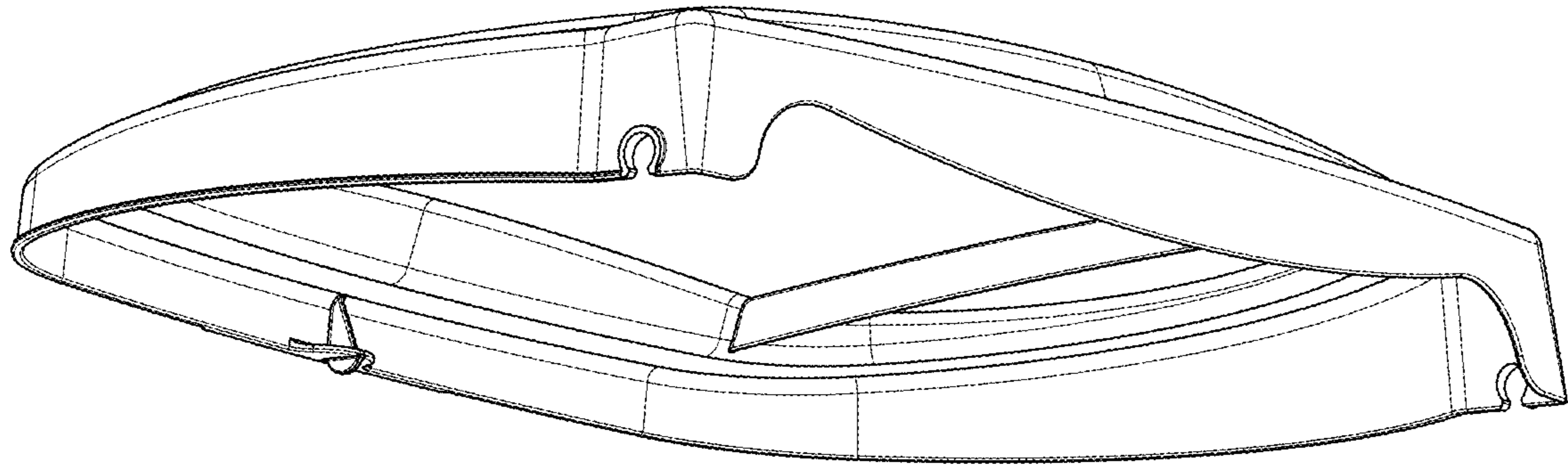


FIG. 1

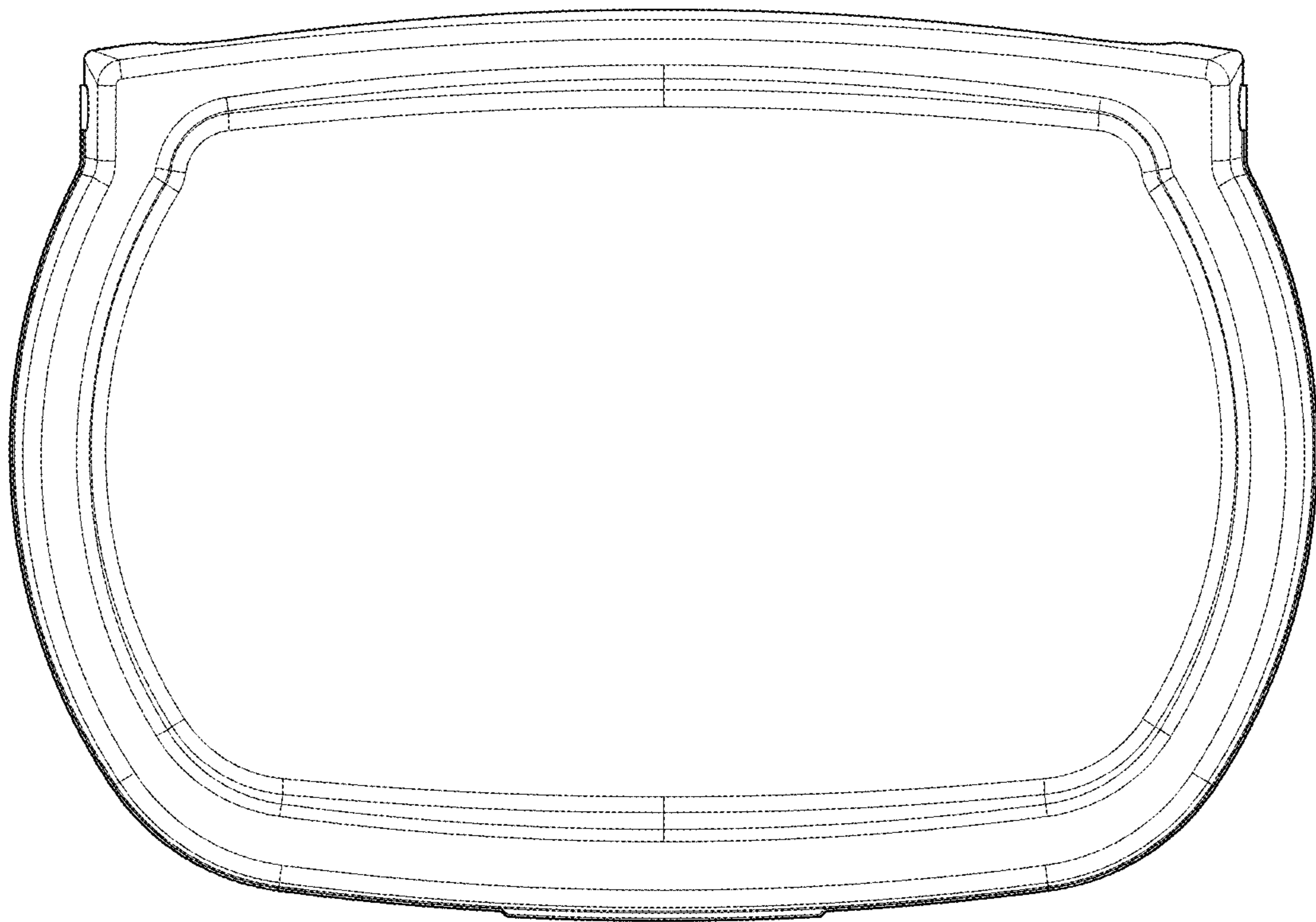


FIG. 2

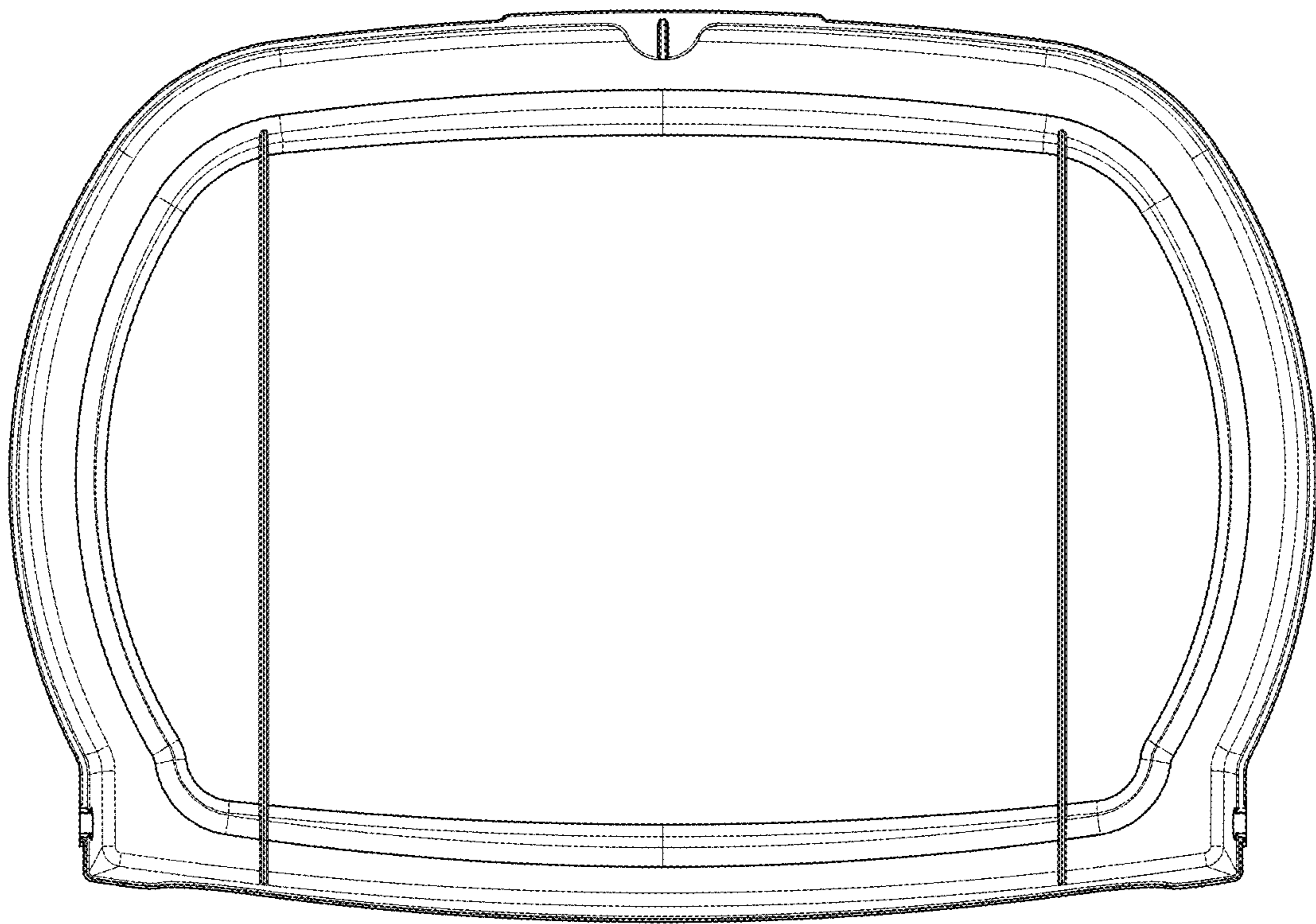


FIG. 3

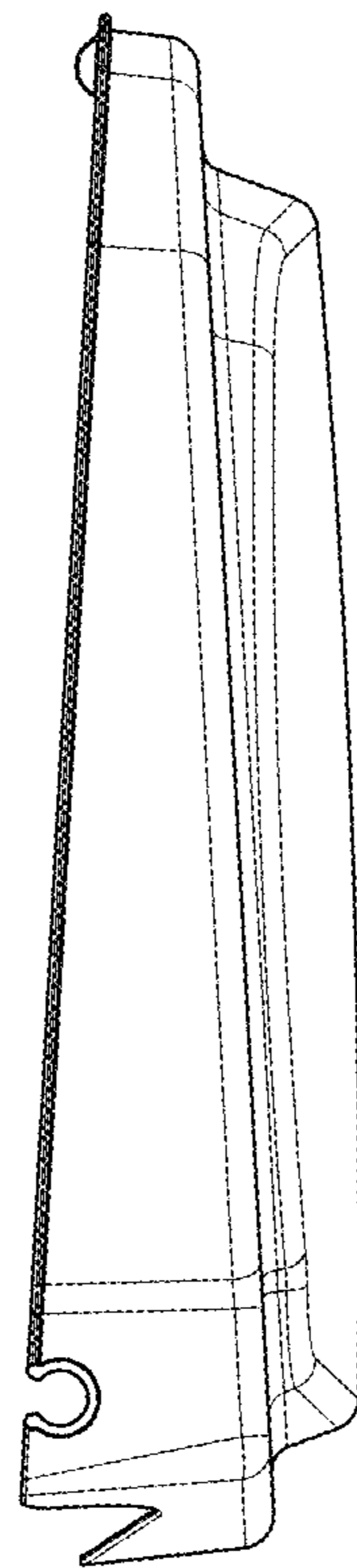


FIG.4

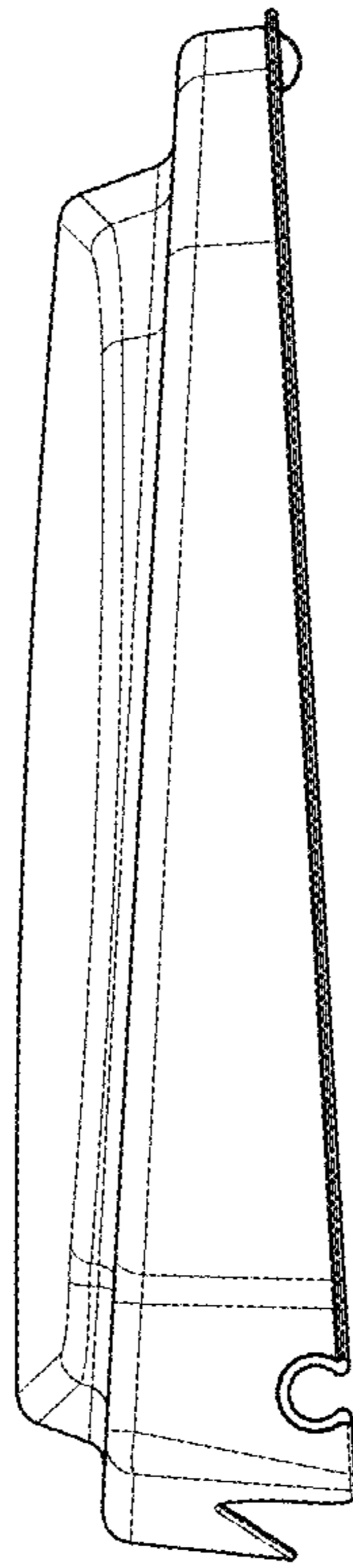


FIG. 5

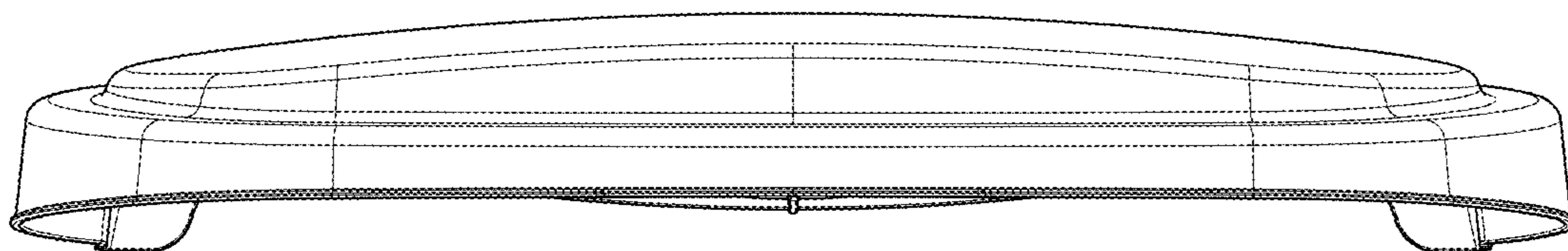


FIG. 6

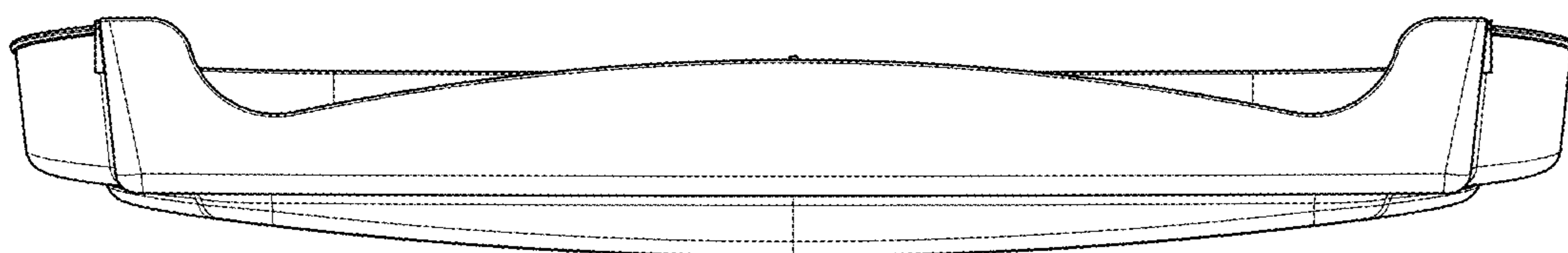


FIG. 7