



US00D936323S

(12) **United States Design Patent** (10) **Patent No.:** **US D936,323 S**
Blitzer et al. (45) **Date of Patent:** **** Nov. 16, 2021**

(54) **TRASH CAN** D507,687 S * 7/2005 Moon D34/1
7,073,677 B2 * 7/2006 Richardson B65F 1/02
220/4.32
(71) Applicant: **SUNCAST TECHNOLOGIES, LLC,** D545,023 S * 6/2007 Weiss D34/1
Palm Beach Gardens, FL (US) D555,862 S * 11/2007 Weiss D34/1
(72) Inventors: **Dov Blitzer,** Naperville, IL (US); D561,966 S * 2/2008 Skalka D34/1
Stephen Whitehead, Elgin, IL (US); D625,478 S * 10/2010 Cittadino D32/37
Torrence Anderson, Overland Park, KS D644,391 S * 8/2011 Kopp D34/7
(US) D760,979 S * 7/2016 Chang D32/37
2007/0138172 A1 * 6/2007 Richardson B65F 1/02
220/4.01

(73) Assignee: **Suncast Technologies, LLC,** Palm Beach Gardens, FL (US)

* cited by examiner

(**) Term: **15 Years**

Primary Examiner — Cynthia Ramirez

(74) Attorney, Agent, or Firm — McHale & Slavin, P.A.

(21) Appl. No.: **29/726,880**

(57) **CLAIM**

(22) Filed: **Mar. 6, 2020**

The ornamental design for trash can, as shown and described.

(51) **LOC (13) Cl.** **09-09**

(52) **U.S. Cl.**
USPC **D34/7**

DESCRIPTION

(58) **Field of Classification Search**
USPC D34/1-9; D3/277, 294, 273; D6/667,
D6/336; D25/16, 33
CPC B65F 1/163; B65F 1/1638; B65F 1/062;
B65F 1/1623; B65F 1/004; B65F 1/1473;
B65F 2240/138; A47C 1/14
See application file for complete search history.

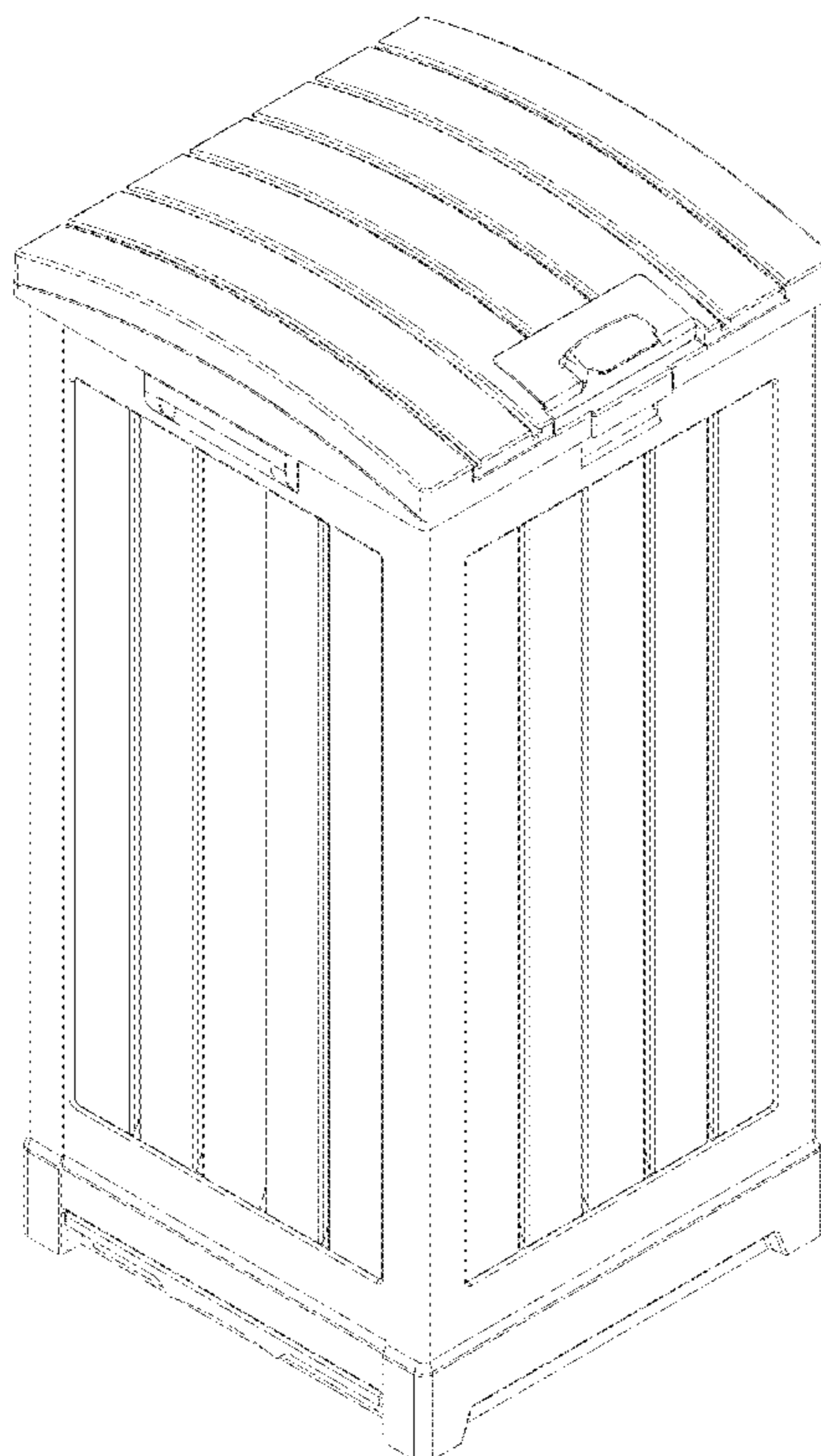
FIG. 1 is a top front left perspective view of the trash can of the present invention;
FIG. 2 is a top front right perspective view thereof;
FIG. 3 is a left side view thereof;
FIG. 4 is a right side view thereof;
FIG. 5 is a front view thereof;
FIG. 6 is a rear view thereof;
FIG. 7 is a top view thereof;
FIG. 8 is a top left rear perspective view thereof; and,
FIG. 9 is a top right rear perspective view thereof.

(56) **References Cited**

U.S. PATENT DOCUMENTS

D340,331 S * 10/1993 Arato D34/1
D351,697 S * 10/1994 Blotnick D34/1

1 Claim, 9 Drawing Sheets



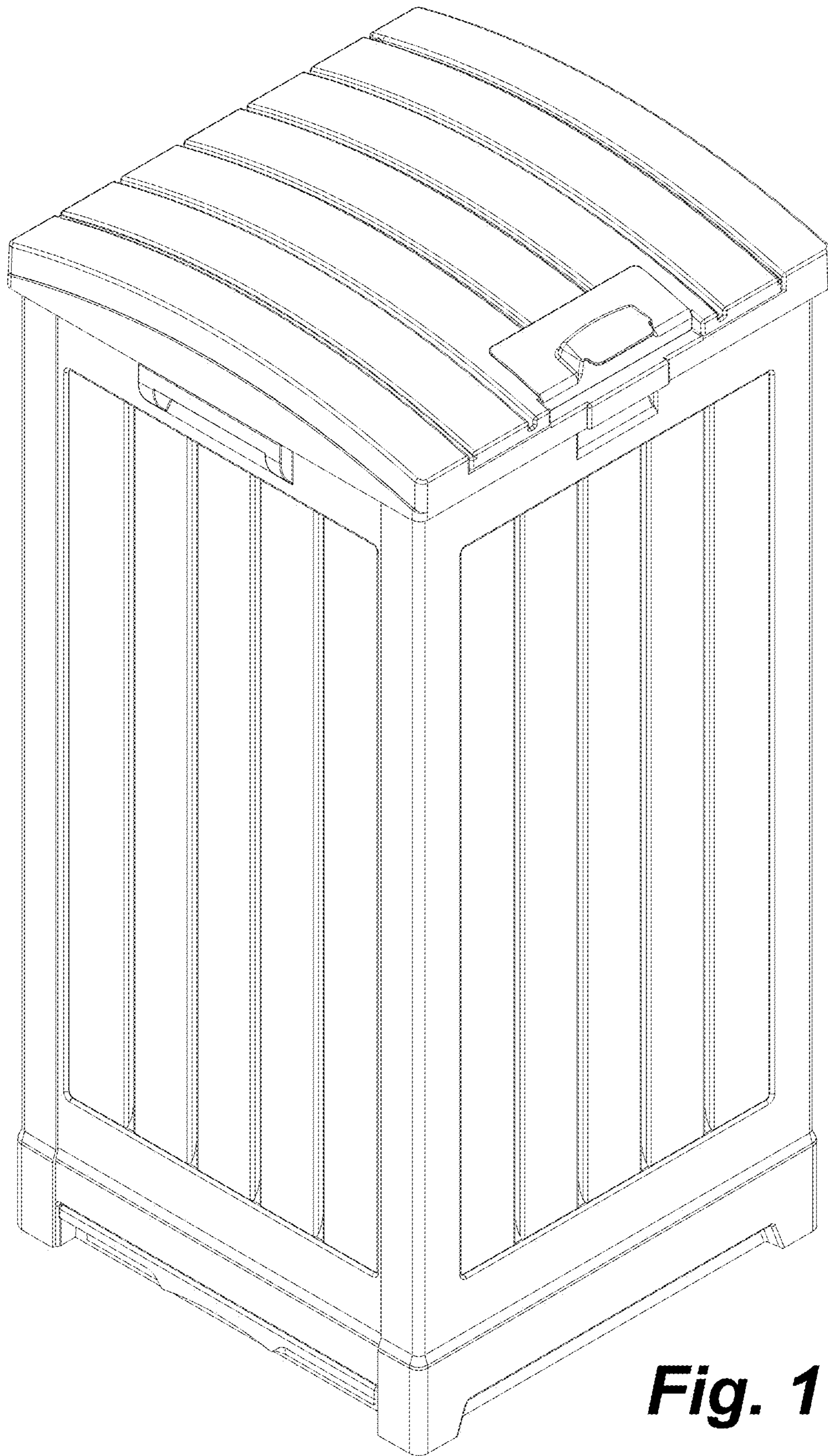


Fig. 1

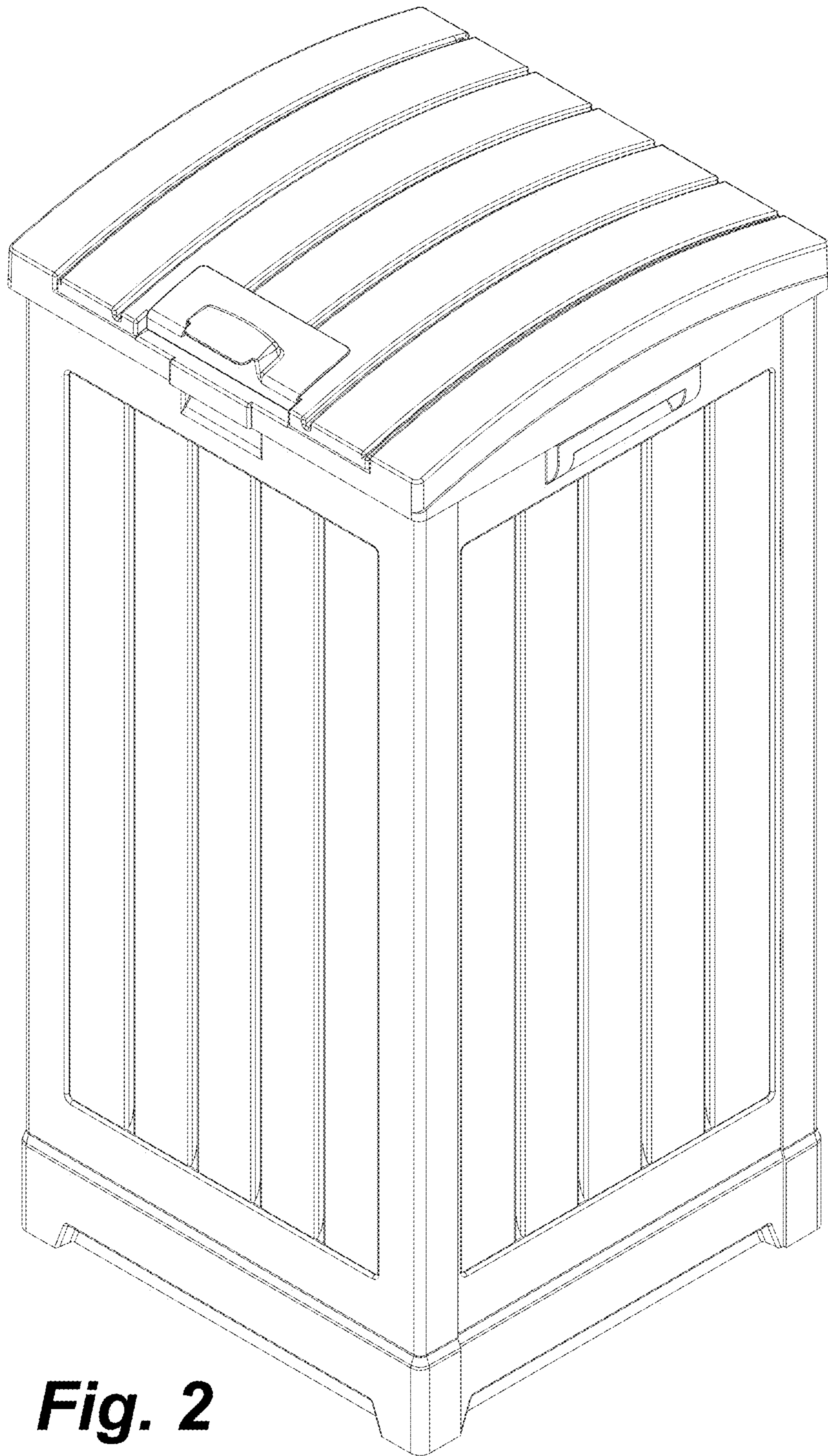


Fig. 2

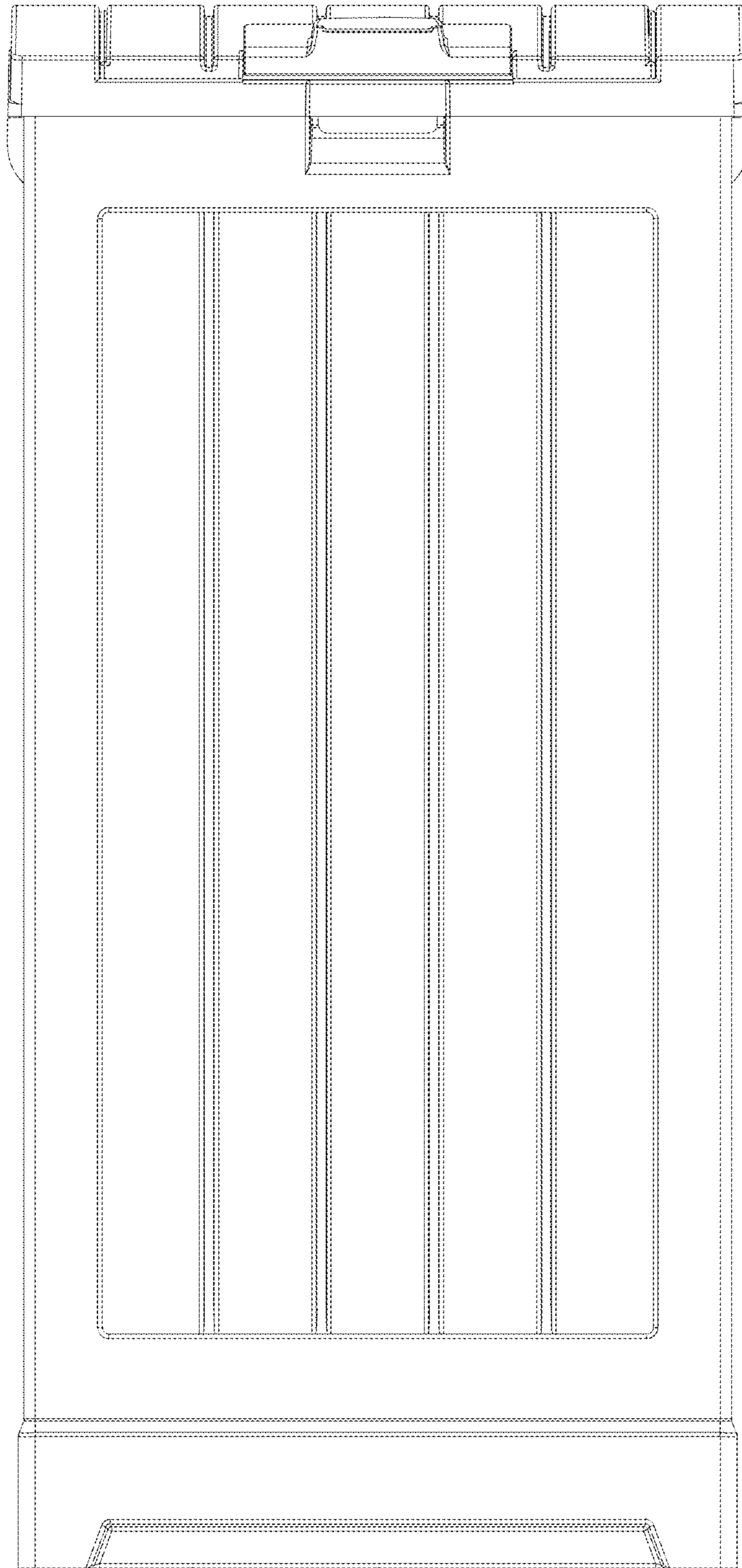


Fig. 3

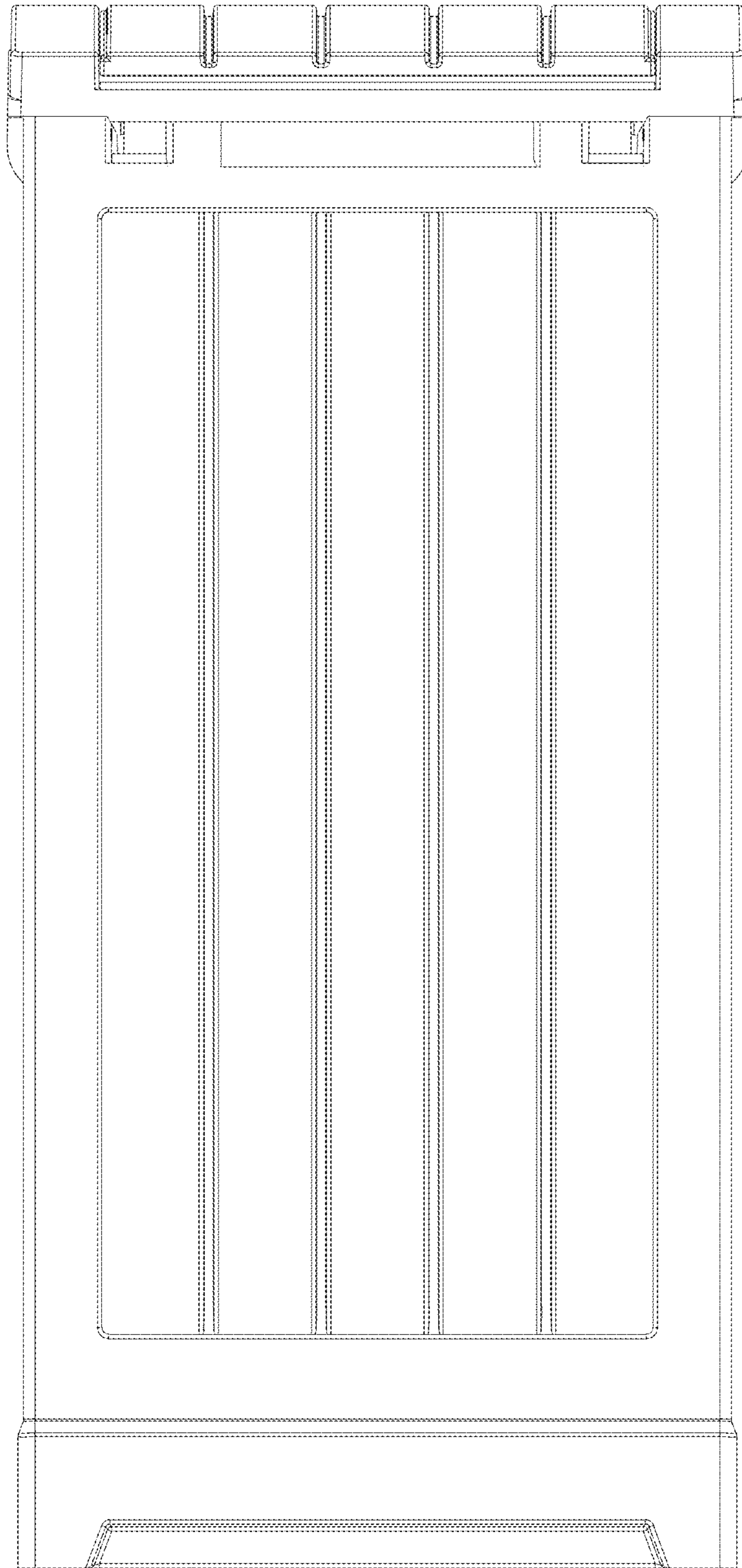


Fig. 4

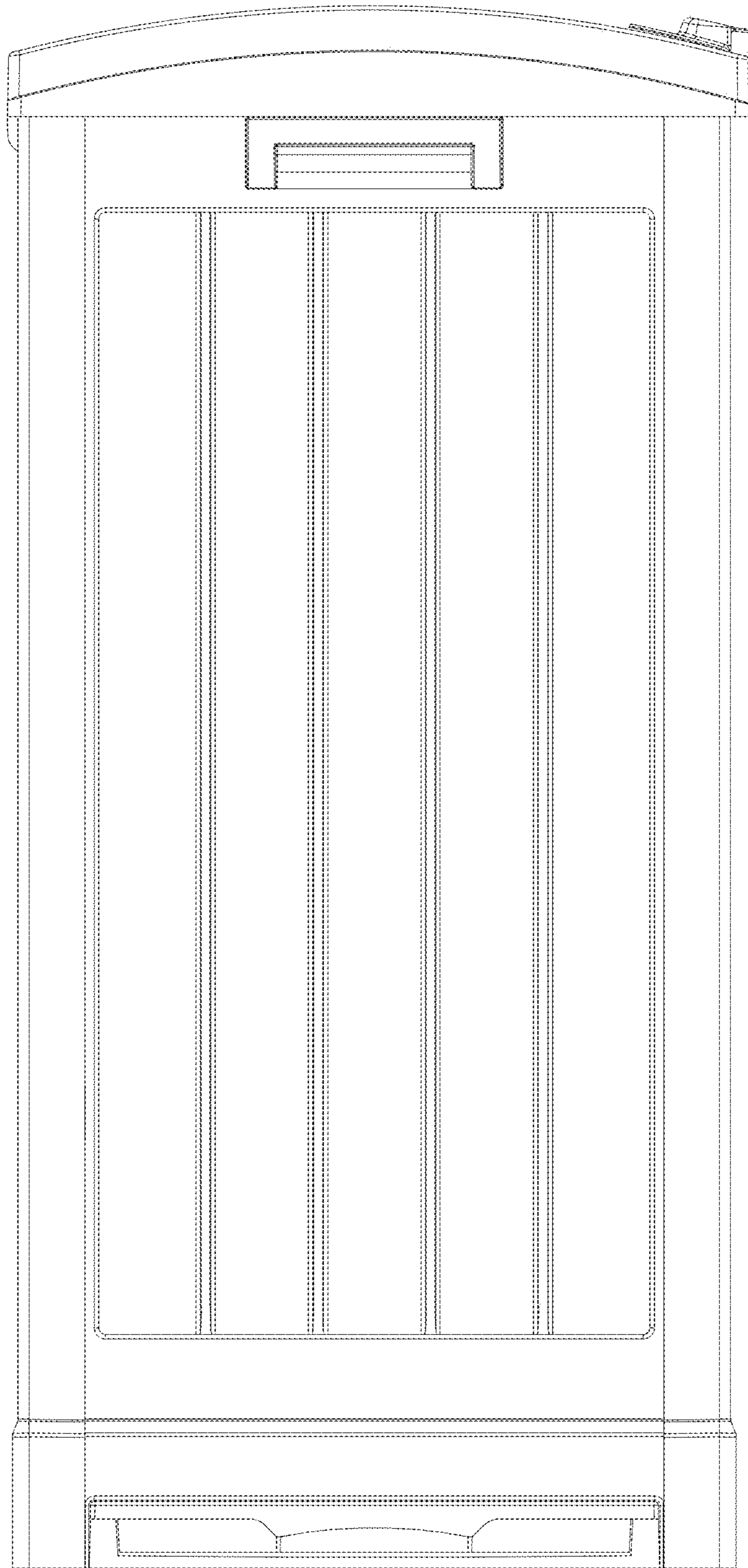


Fig. 5

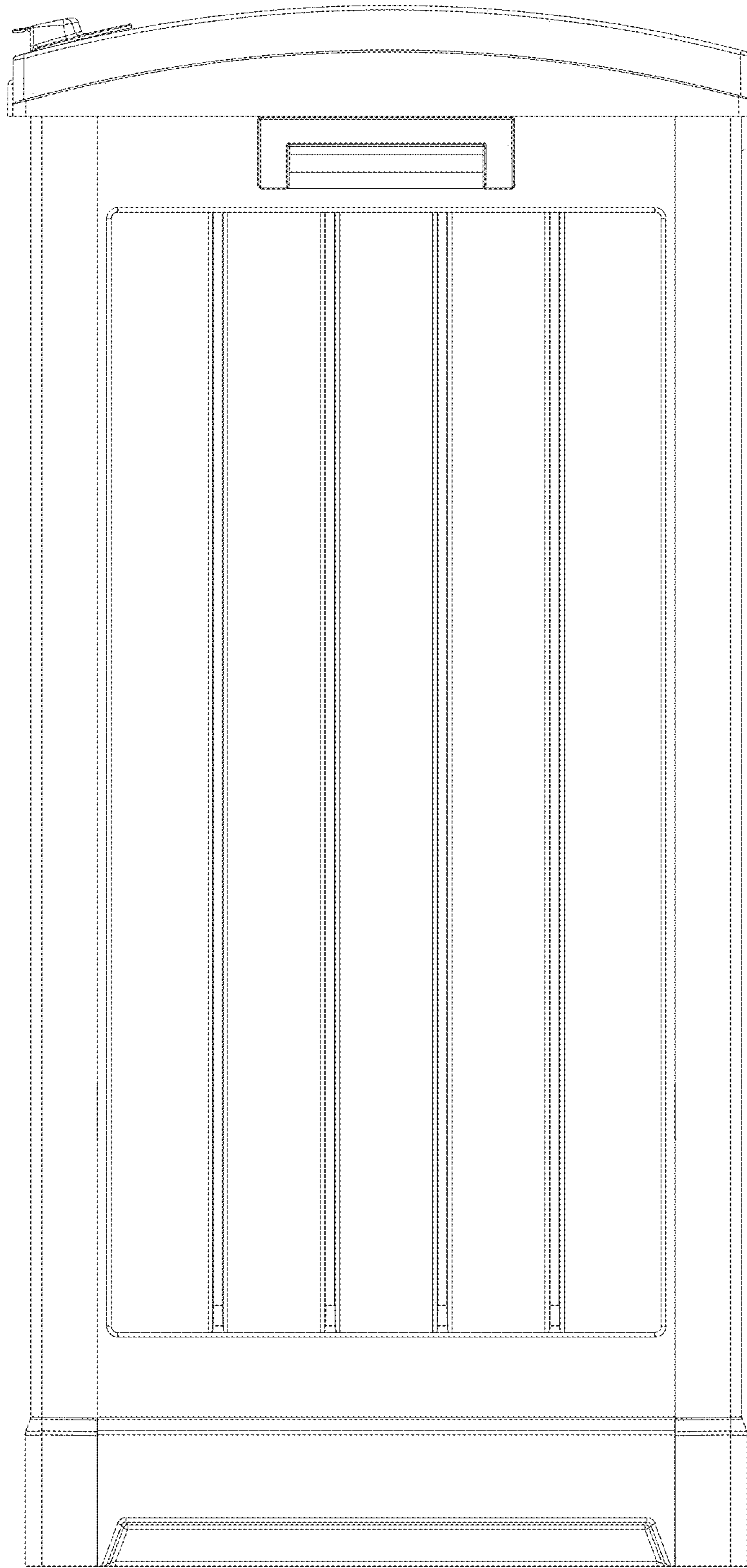


Fig. 6

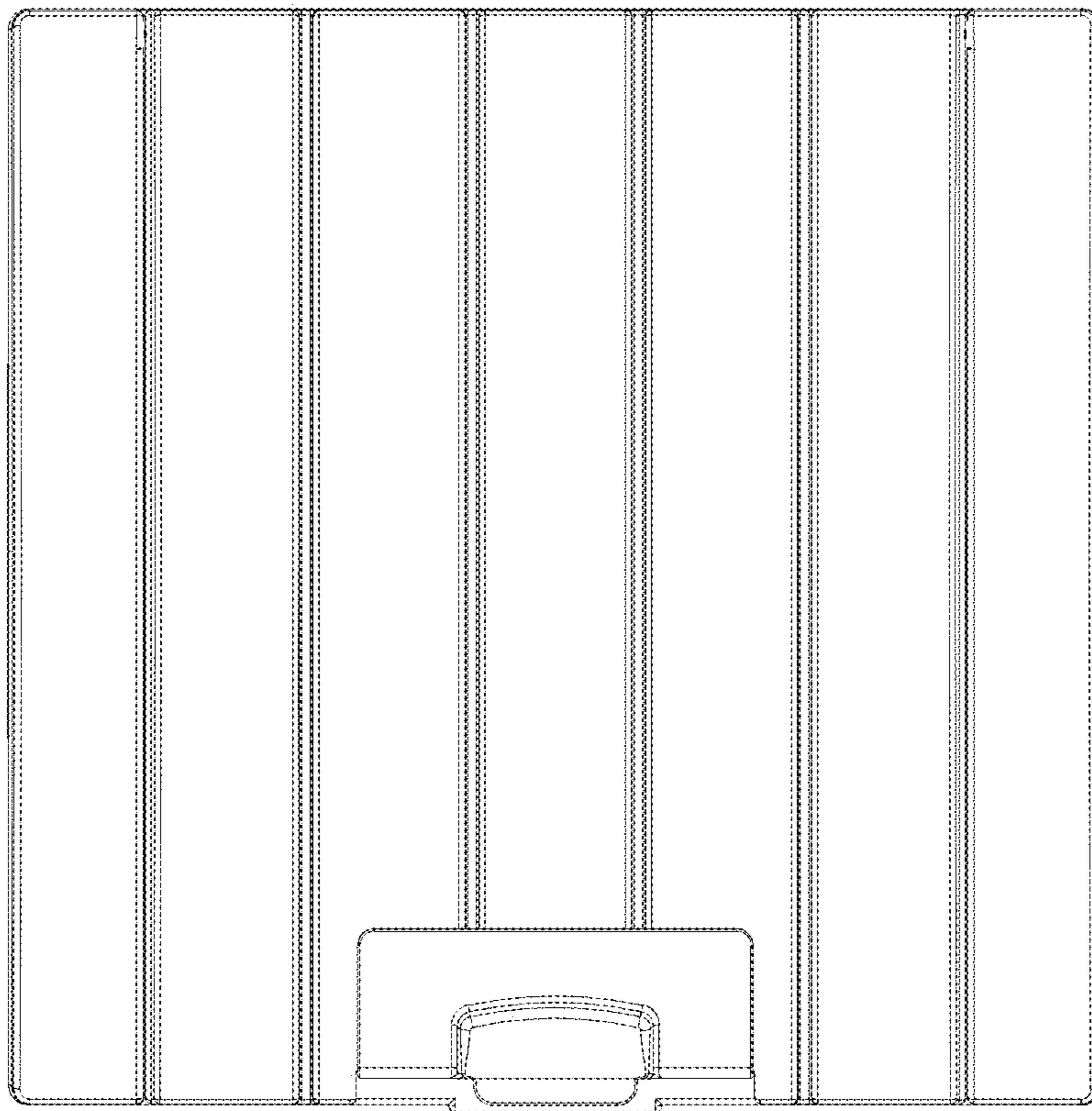


Fig. 7

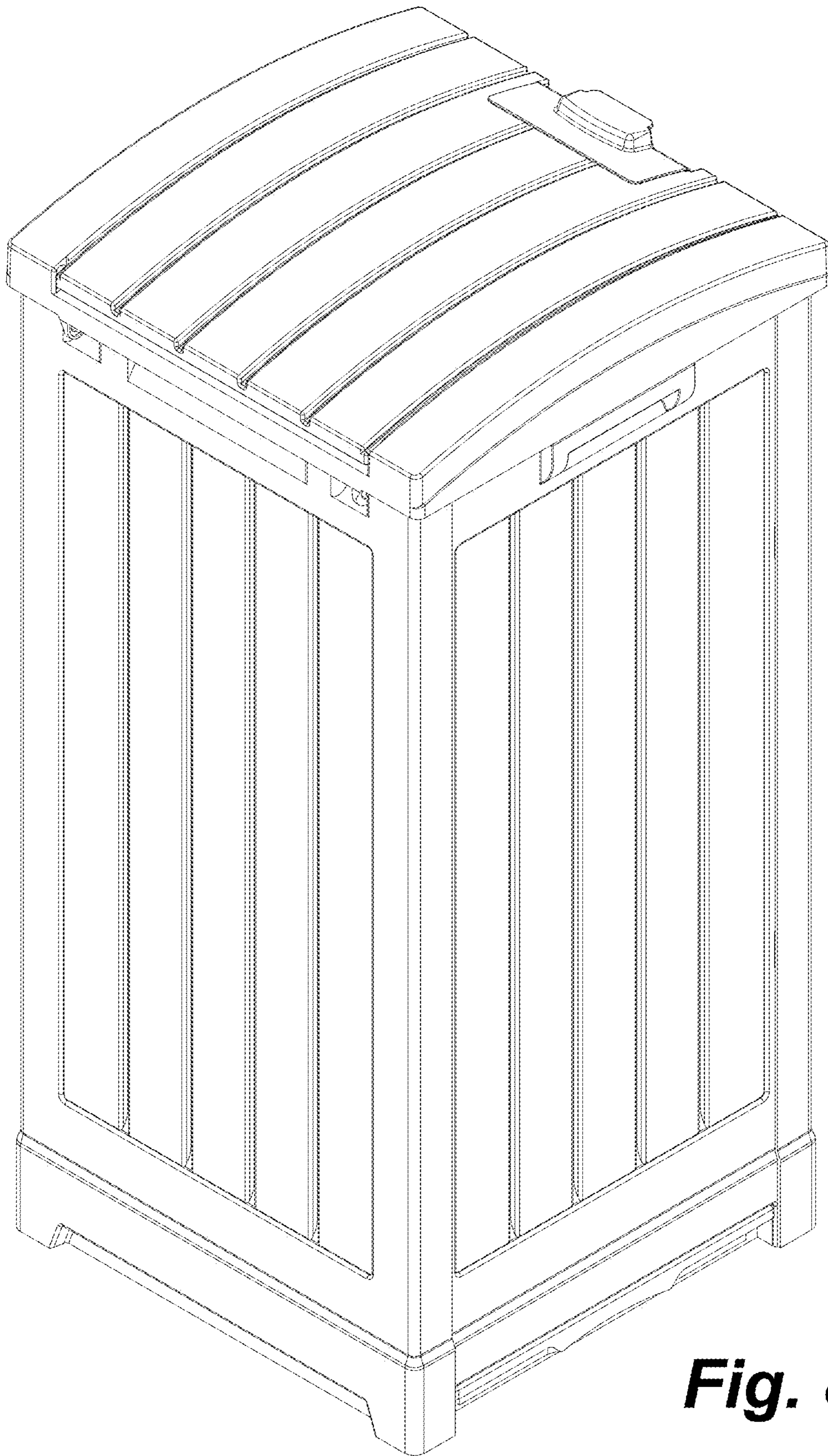


Fig. 8

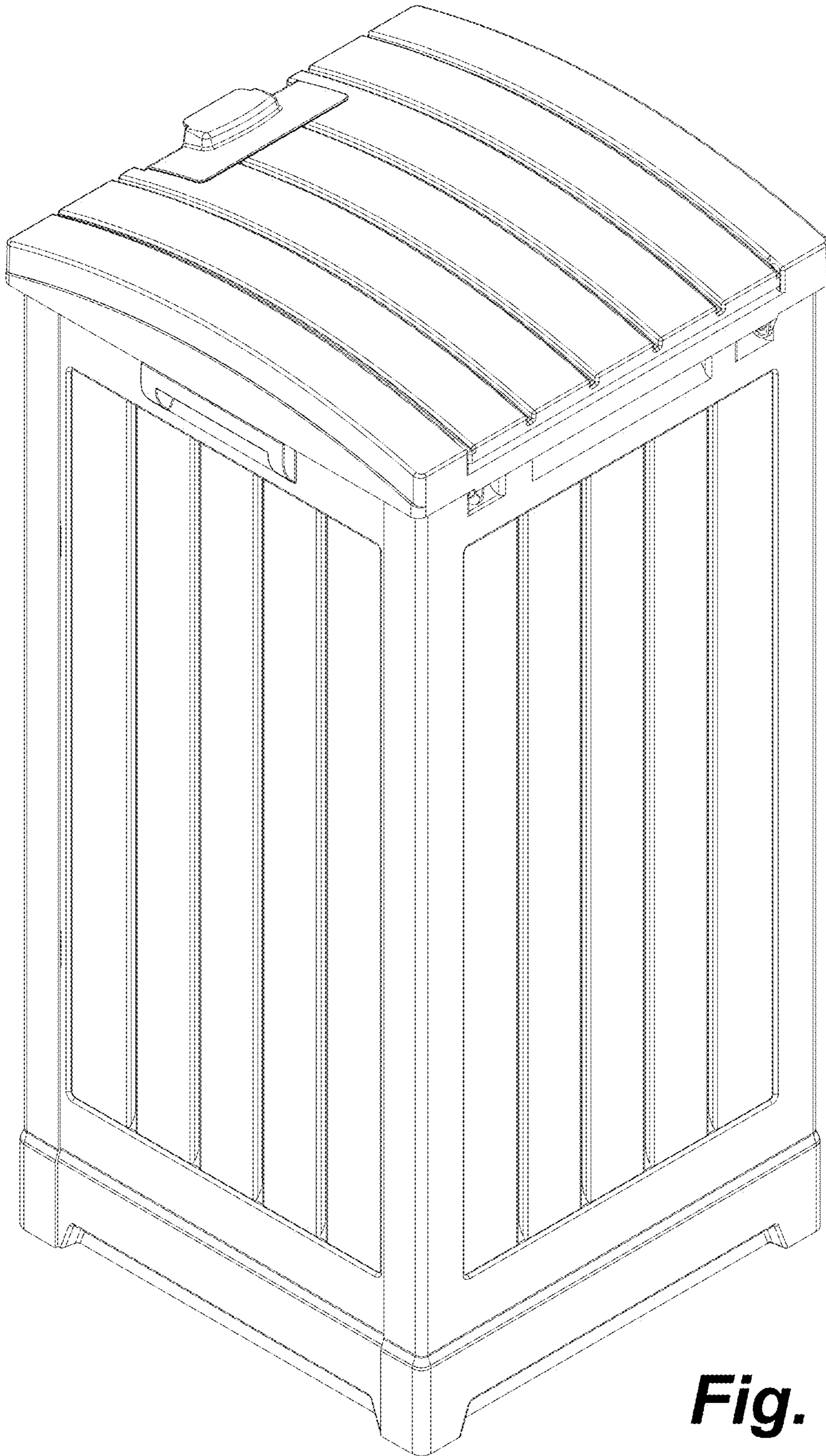


Fig. 9