



US00D936320S

(12) **United States Design Patent** (10) **Patent No.:** **US D936,320 S**  
**Bae et al.** (45) **Date of Patent:** **\*\* Nov. 16, 2021**

(54) **IRONING BOARD**

D543,671 S \* 5/2007 Chu ..... D32/66  
D543,672 S \* 5/2007 Chu ..... D32/66  
D638,592 S \* 5/2011 Suh ..... D32/8

(71) Applicant: **LG ELECTRONICS INC.**, Seoul (KR)

(Continued)

(72) Inventors: **Jaecil Bae**, Seoul (KR); **Kyutae Park**, Seoul (KR); **Kyungah Lee**, Seoul (KR); **Hoil Jeon**, Seoul (KR); **Youngsoo Ha**, Seoul (KR)

FOREIGN PATENT DOCUMENTS

GB 3008808 \* 8/2003  
JP D1178475 \* 7/2003  
WO D206451-001 \* 8/2001

(73) Assignee: **LG ELECTRONICS INC.**, Seoul (KR)

OTHER PUBLICATIONS

(\*\*) Term: **15 Years**

Giantex Top Loading Water Dispenser with storage cabinet, available in Amazon.com, date 1st available Sep. 8, 2016 [online], [site visited Sep. 8, 2021], Available from the internet URL: [https://www.amazon.com/Giantex-Loading-Dispenser-Temperature-Electric/dp/B0732HQL7X/ref=cm\\_cr\\_ar\\_p\\_d\\_product\\_top?ie=UTF8](https://www.amazon.com/Giantex-Loading-Dispenser-Temperature-Electric/dp/B0732HQL7X/ref=cm_cr_ar_p_d_product_top?ie=UTF8) (Year: 2016).\*

(21) Appl. No.: **29/724,594**

(Continued)

(22) Filed: **Feb. 18, 2020**

(30) **Foreign Application Priority Data**

Aug. 19, 2019 (KR) ..... 30-2019-0039552

(51) **LOC (13) Cl.** ..... **07-05**

(52) **U.S. Cl.**  
USPC ..... **D32/66**

(58) **Field of Classification Search**  
USPC ..... D32/6, 9, 35, 60, 66, 67; D21/526;  
D6/691.1, 691.3, 691.4, 559, 663, 668  
CPC ..... A47B 39/06; D06F 81/00; D06F 81/003;  
D06F 81/006; D06F 81/02; D06F 81/04;  
D06F 81/06; D06F 81/08; D06F 81/12;  
D06F 83/00; Y10S 38/02; Y10S 38/03;  
Y10T 292/305

See application file for complete search history.

*Primary Examiner* — Dana K Weiland

*Assistant Examiner* — Jennylou M Binas

(74) *Attorney, Agent, or Firm* — Birch, Stewart, Kolasch & Birch, LLP

(56) **References Cited**

U.S. PATENT DOCUMENTS

D47,601 S \* 7/1915 Labadie ..... D3/274  
2,523,425 A \* 9/1950 Gargaglione ..... A47B 77/10  
108/13  
D413,699 S \* 9/1999 Evans ..... D32/37  
D497,069 S \* 10/2004 Aisley ..... D6/559

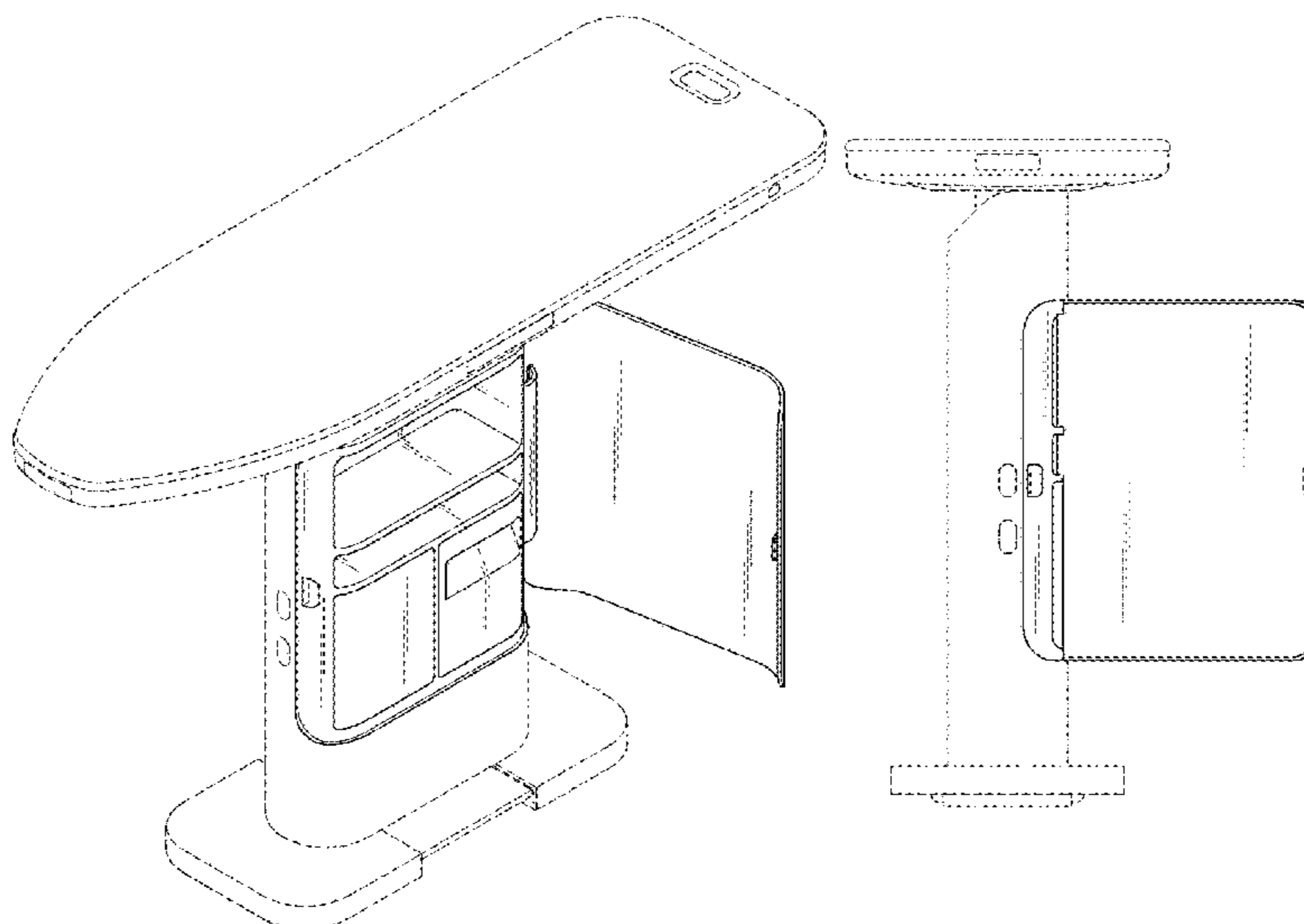
(57) **CLAIM**

We claim the ornamental design for an ironing board, as shown and described.

**DESCRIPTION**

FIG. 1 is a perspective view of an ironing board showing the new design;  
FIG. 2 is a front elevation view thereof;  
FIG. 3 is a rear elevation view thereof;  
FIG. 4 is a left-side elevation view thereof;  
FIG. 5 is a right-side elevation view thereof;  
FIG. 6 is a top plan view thereof; and,  
FIG. 7 is a bottom plan view thereof.  
The broken lines shown in the figures depict portions of the ironing board that form no part of the claimed design.

**1 Claim, 7 Drawing Sheets**



(56)

**References Cited**

U.S. PATENT DOCUMENTS

D732,771 S \* 6/2015 Chung ..... D32/25  
D836,271 S \* 12/2018 Chung ..... D32/6

OTHER PUBLICATIONS

ImPress Ironing Station, announced 2002 [online], [site visited Sep. 13, 2021], Available from the internet, URL: <[https://applianceassistant.com/ServiceManuals/8178203\\_I-73\\_whirlpool\\_impress\\_ironing\\_station.pdf](https://applianceassistant.com/ServiceManuals/8178203_I-73_whirlpool_impress_ironing_station.pdf)> (Year: 2002).\*

Boahaus 5202 Ironing Board Cabinet Assembly, announced in YouTube on Oct. 4, 2018 [online], [site visited Sep. 13, 2021], Available from the internet URL: <https://www.youtube.com/watch?v=x9ZPL1KPJMM> (Year: 2018).\*

Miele B 3312 FashionMaster Ironing Station, available in Amazon.de, date first available Sep. 30, 2016 [online], [site visited Sep. 13, 2021], Available from the internet URL: [https://www.amazon.de/Miele-3312-FashionMaster-Dampfb%C3%BCgelsystem-Wabensohle/dp/B01LIT41EM?ref\\_ast\\_sto\\_dp](https://www.amazon.de/Miele-3312-FashionMaster-Dampfb%C3%BCgelsystem-Wabensohle/dp/B01LIT41EM?ref_ast_sto_dp) (Year: 2016).\*

\* cited by examiner

*FIG. 1*

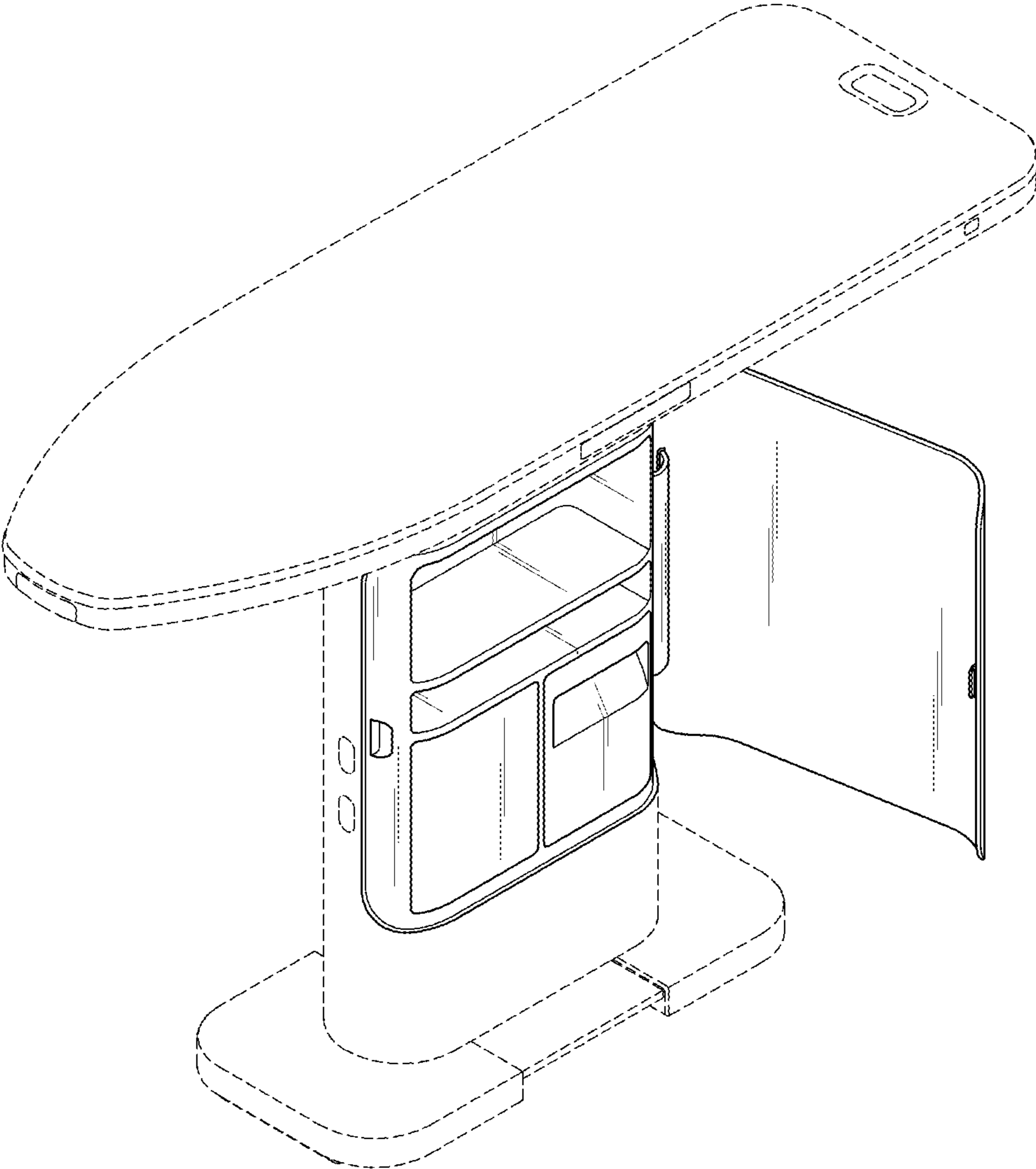
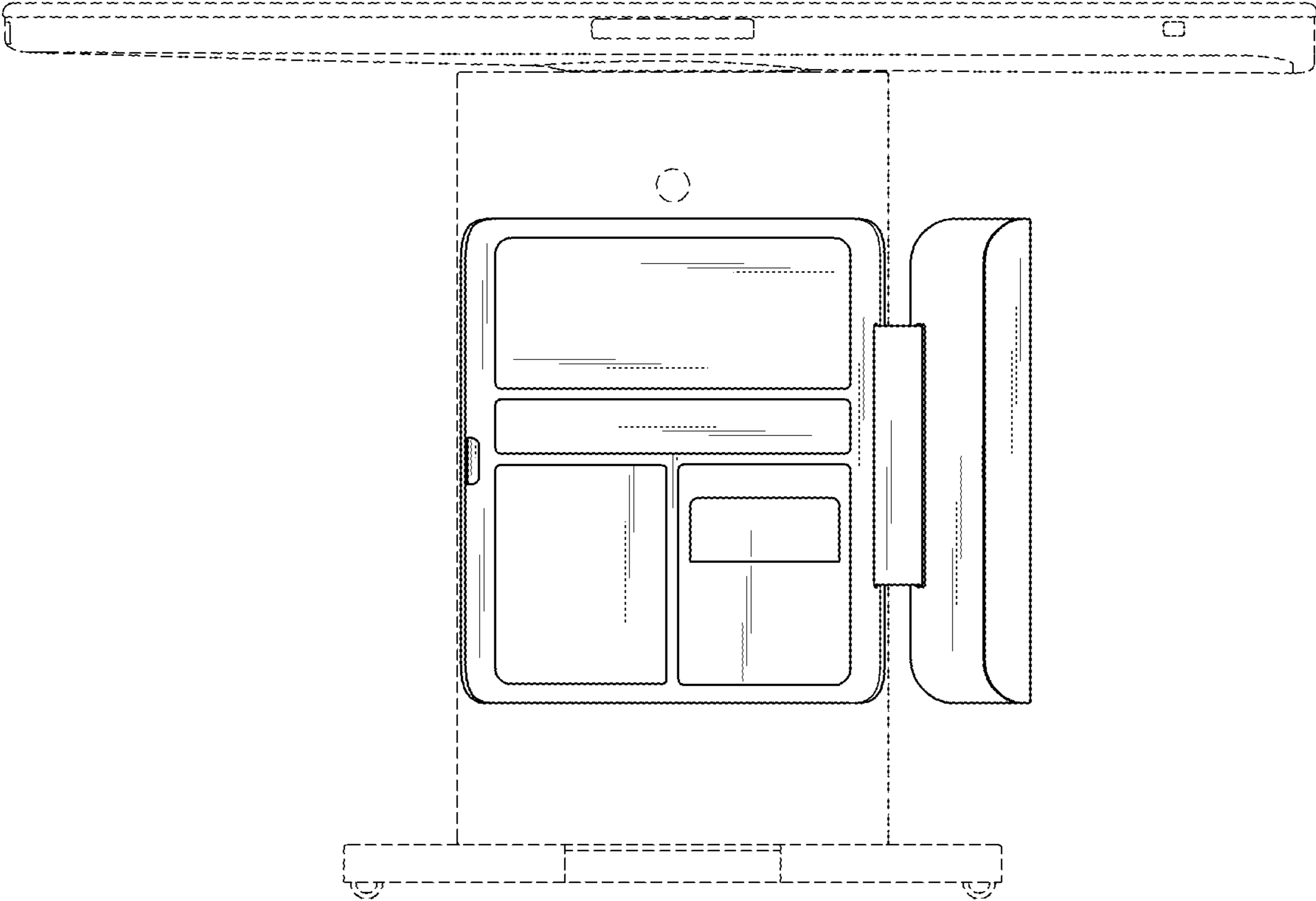
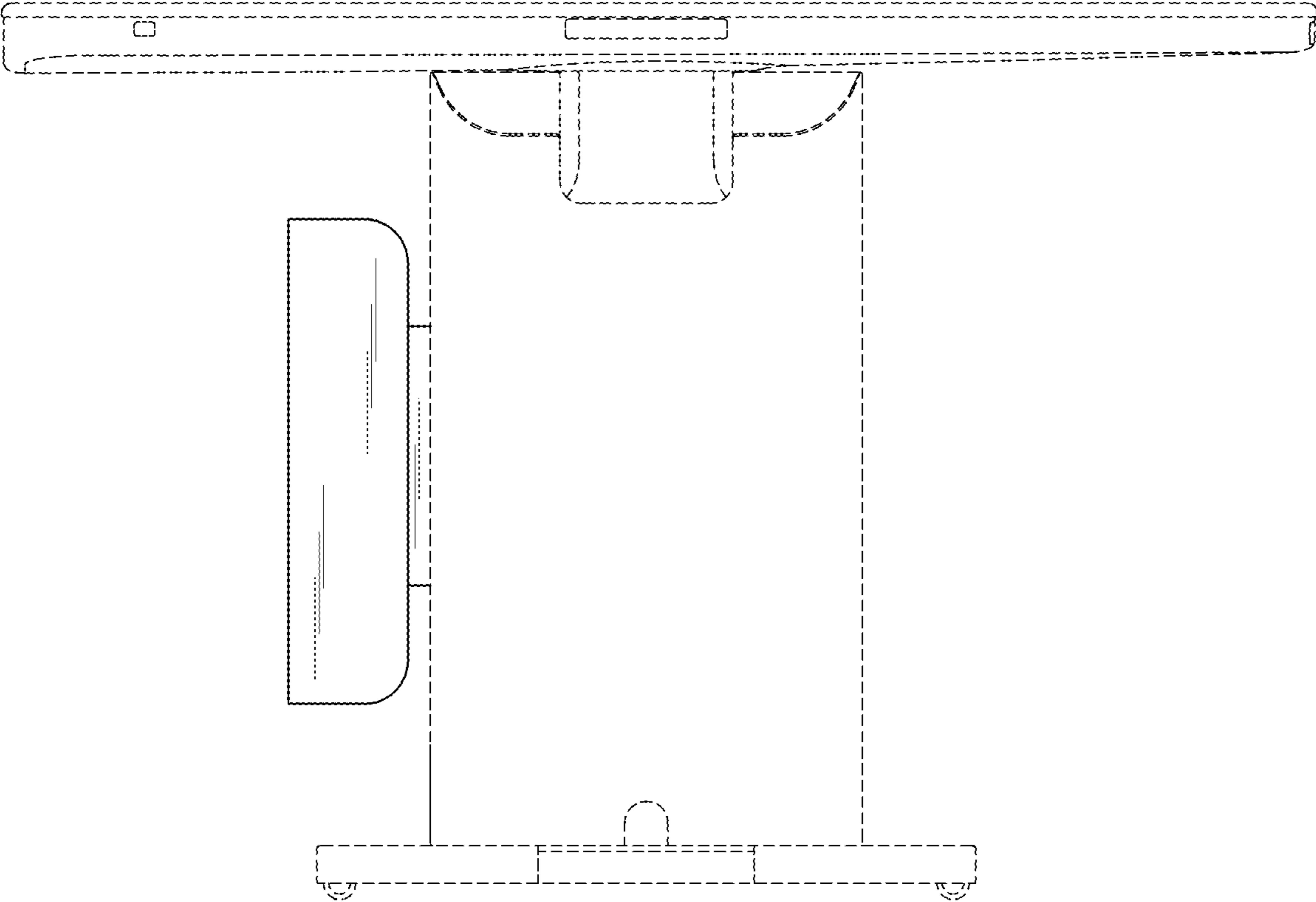


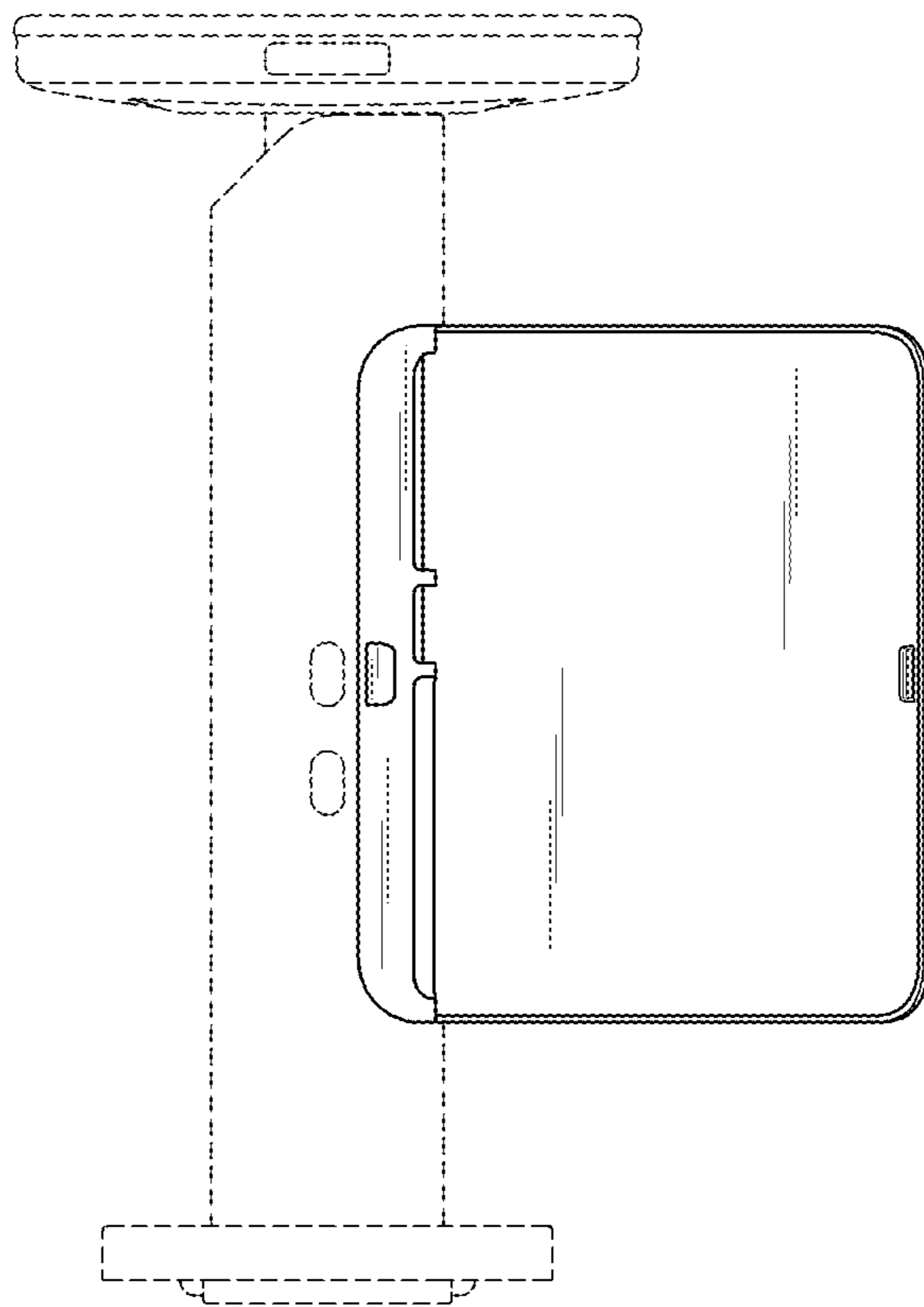
FIG. 2



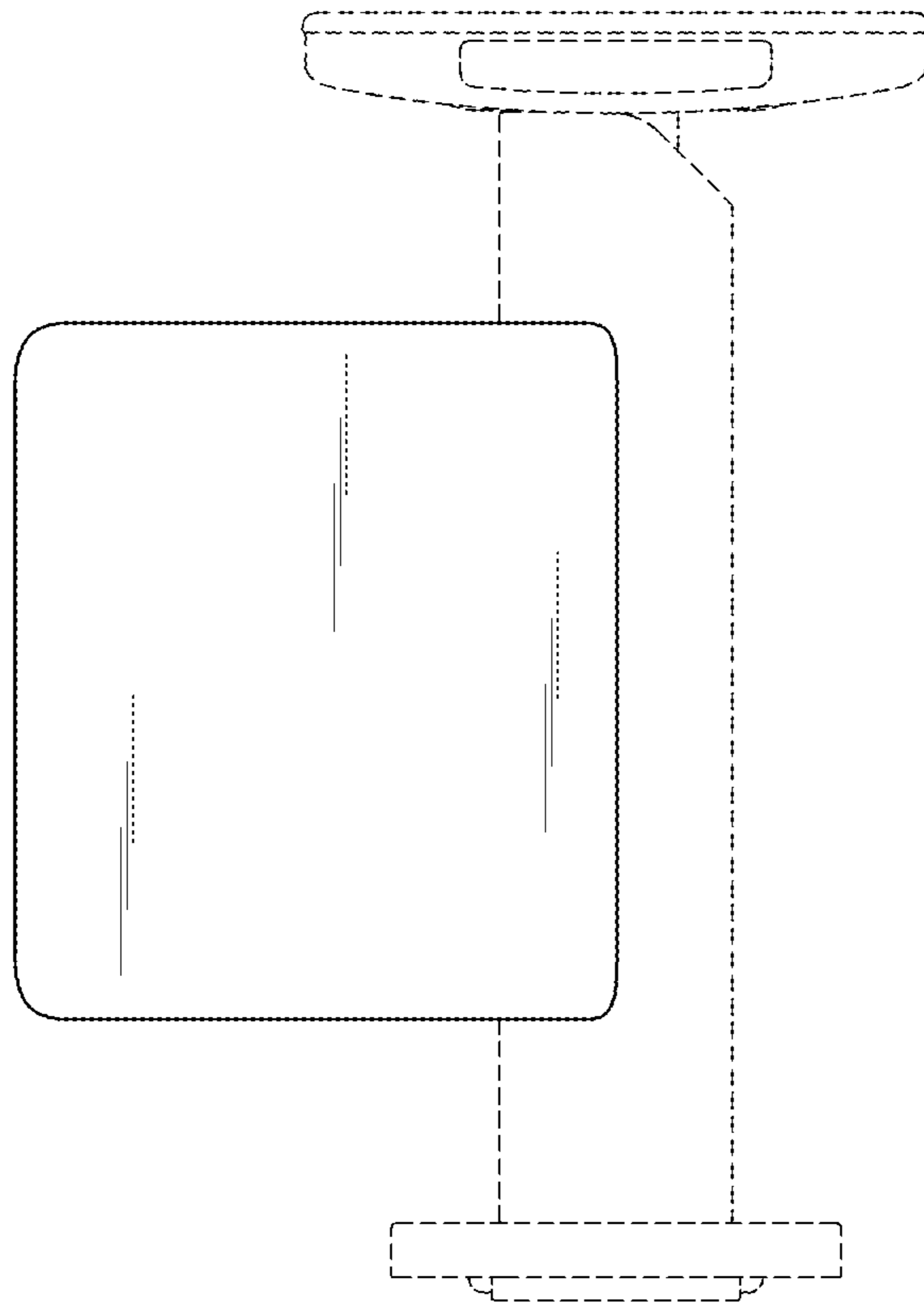
*FIG. 3*



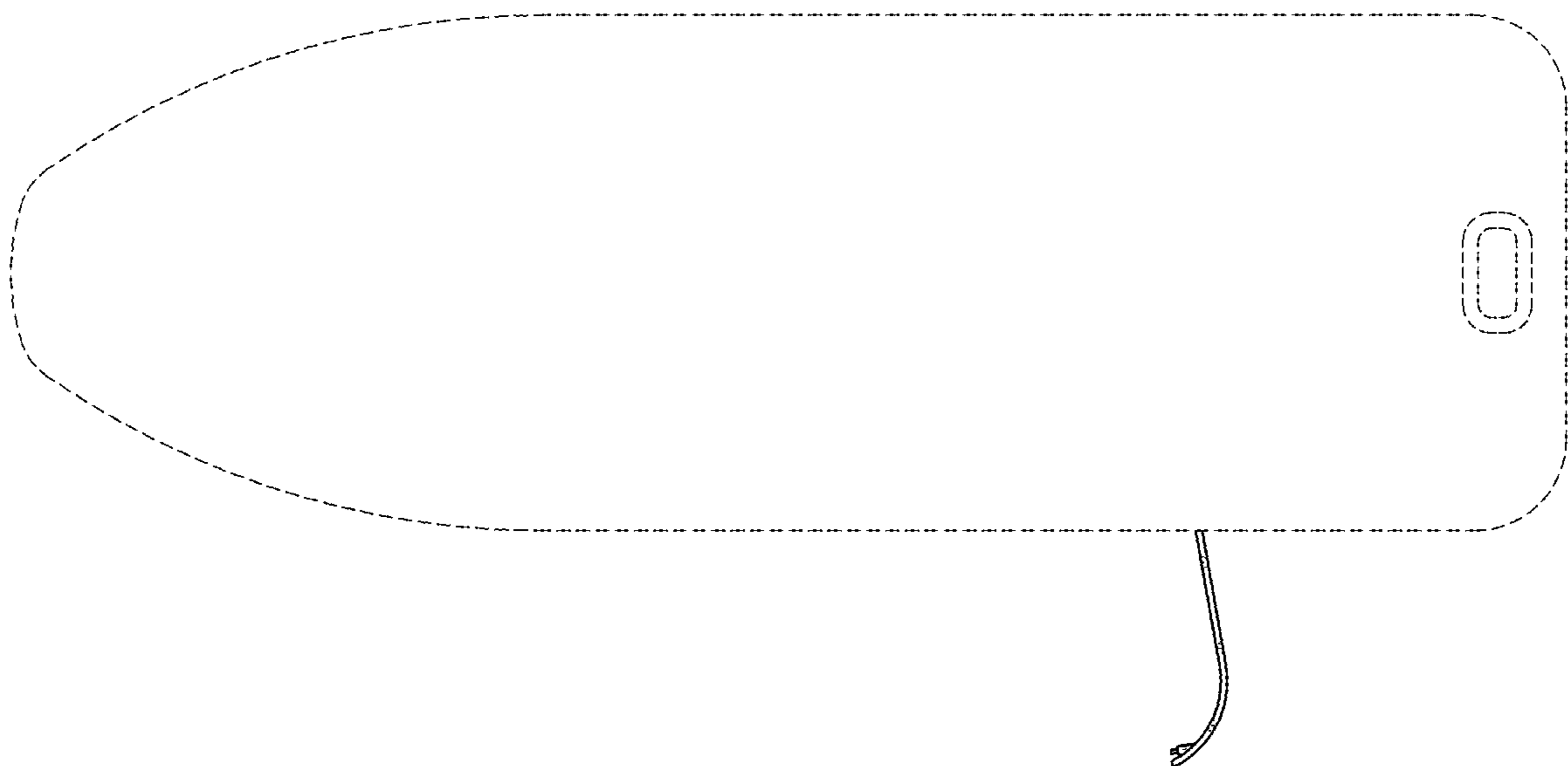
*FIG. 4*



*FIG. 5*



*FIG. 6*





*FIG. 7*

