

US00D936318S

(12) **United States Design Patent** (10) **Patent No.:** **US D936,318 S**
Niedzwecki et al. (45) **Date of Patent:** **** Nov. 16, 2021**

(54) **MOP HEAD**

FOREIGN PATENT DOCUMENTS

(71) Applicant: **SharkNinja Operating, LLC**,
Needham, MA (US)

EP 003477066-0005 12/2016
JP D1490315 2/2014

(Continued)

(72) Inventors: **Scott Niedzwecki**, East Walpole, MA
(US); **Junghwan Chei**, Chestnut Hill,
MA (US); **Dan Innes**, West Roxbury,
MA (US)

OTHER PUBLICATIONS

Amazon.com: Genuine Shark Rectangle Head Attachment, reviews
2020, <https://www.amazon.com/Genuine-Rectangle-Attachment-Genius-Pocket/dp/B07YCNSN> . . . site visited Mar. 13, 2021.*

(Continued)

(73) Assignee: **SHARKNINJA OPERATING LLC**,
Needham, MA (US)

(**) Term: **15 Years**

Primary Examiner — John R Yeh

(21) Appl. No.: **29/761,126**

(74) *Attorney, Agent, or Firm* — Grossman, Tucker,
Perreault & Pfleger, PLLC

(22) Filed: **Dec. 7, 2020**

(57) **CLAIM**

The ornamental design for a mop head, as shown and
described.

Related U.S. Application Data

(60) Division of application No. 29/669,056, filed on Nov.
5, 2018, now Pat. No. Des. 904,708, which is a
continuation of application No. 29/566,103, filed on
May 26, 2016, now Pat. No. Des. 833,097.

DESCRIPTION

(51) **LOC (13) Cl.** **07-05**

(52) **U.S. Cl.**
USPC **D32/50**

(58) **Field of Classification Search**
USPC D32/45, 50–52; D4/116, 132, 135, 138
CPC A47L 13/24; A47L 13/10; A47L 13/12;
A47L 13/258; A47L 13/146; A47L 13/16
See application file for complete search history.

FIG. 1 is a perspective view of a mop head in accordance
with our design;
FIG. 2 is a front view of the mop head in accordance with
our design;
FIG. 3 is a back view of the mop head in accordance with
our design;
FIG. 4 is a first side view of the mop head in accordance with
our design;
FIG. 5 is a second side view of the mop head in accordance
with our design;
FIG. 6 is a top view of the mop head in accordance with our
design; and,
FIG. 7 is a bottom view of the mop head in accordance with
our design.

The broken lines are included for the purpose of illustrating
the unclaimed portions of the article and form no part of the
claim.

(56) **References Cited**

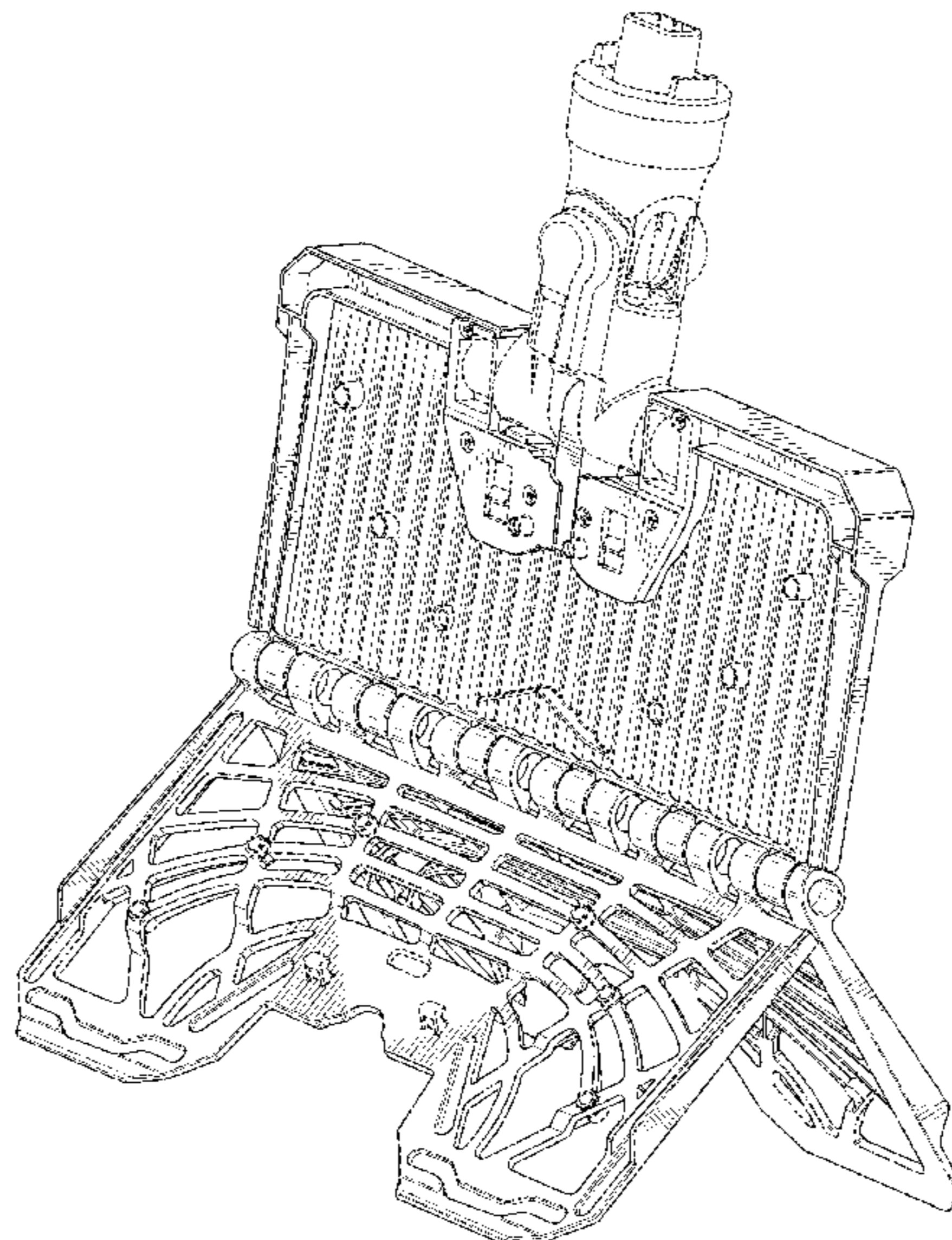
U.S. PATENT DOCUMENTS

4,766,632 A * 8/1988 Murray A47L 13/258
15/144.1

D358,238 S 5/1995 Barnett
D368,561 S 4/1996 Hodges et al.

(Continued)

1 Claim, 7 Drawing Sheets



(56)

References Cited

U.S. PATENT DOCUMENTS

D402,776 S 12/1998 Carlson
 5,915,437 A 6/1999 Petner
 D423,157 S 4/2000 Hodges
 D487,947 S 3/2004 Pecci et al.
 D506,050 S 6/2005 Lalanne et al.
 D554,815 S 11/2007 Harper et al.
 D563,068 S 2/2008 Jiang et al.
 D599,517 S 9/2009 Vrdoljak
 D615,260 S 5/2010 Koenig
 D644,386 S 8/2011 Tawara et al.
 D653,826 S 2/2012 Lee
 D654,238 S * 2/2012 Lee D32/50
 D657,928 S 4/2012 Byrne
 D658,835 S 5/2012 Houghton
 D658,836 S 5/2012 Ediger et al.
 D658,837 S 5/2012 Ediger
 D668,827 S * 10/2012 Best D32/50
 D672,107 S * 12/2012 Van LANDINGHAM, Jr D32/50
 D672,930 S * 12/2012 Van LANDINGHAM, Jr. D32/50
 D673,337 S 12/2012 Chow
 D677,031 S 2/2013 Best et al.
 D685,557 S 7/2013 Rosenzweig
 D685,966 S 7/2013 Houghton
 D694,484 S 11/2013 Angel et al.
 D698,510 S 1/2014 Chu et al.
 D700,761 S 3/2014 Libman et al.
 D703,407 S 4/2014 Xiong
 D709,258 S 7/2014 Guder et al.
 D711,058 S 8/2014 Crawley et al.
 8,893,343 B2 * 11/2014 Libman A47L 13/258
 15/147.2
 D719,709 S * 12/2014 Gidwell D32/40
 D720,906 S 1/2015 Baldwin
 D723,233 S 2/2015 Gidwell et al.
 D742,607 S 11/2015 Crawley
 D743,134 S * 11/2015 Patterson D32/50
 D747,054 S 1/2016 Seifts et al.
 D765,331 S 8/2016 Chei et al.
 D765,332 S 8/2016 Niedzwecki et al.
 D766,528 S 9/2016 Choi et al.
 D767,222 S 9/2016 Houghton
 9,521,940 B2 12/2016 Johnson
 D789,007 S 6/2017 Jang et al.
 D792,043 S 7/2017 Buckley et al.
 D793,639 S 8/2017 Schuller et al.
 D806,338 S * 12/2017 Metzel D32/45
 9,943,207 B1 * 4/2018 Patterson A47L 13/258

D817,574 S 5/2018 Libman et al.
 10,004,372 B2 * 6/2018 Escobar A47L 13/254
 D833,097 S 11/2018 Niedzwecki et al.
 10,413,150 B2 * 9/2019 Taylor A47L 13/256
 D864,512 S 10/2019 Wu
 D869,793 S * 12/2019 Casini D32/15
 10,548,453 B2 * 2/2020 Metzel A47L 13/22
 D904,708 S * 12/2020 Niedzwecki D32/50
 D907,871 S * 1/2021 Zhang D32/51
 10,993,595 B2 * 5/2021 James A47L 9/12
 2005/0091775 A1 5/2005 Lindholm
 2006/0018706 A1 1/2006 Bensussan et al.
 2006/0048327 A1 3/2006 Lacotta et al.
 2006/0070196 A1 4/2006 Lacotta et al.
 2007/0061985 A1 * 3/2007 Fischer A47L 13/258
 15/147.2
 2009/0158544 A1 * 6/2009 Pagani A47L 13/258
 15/228
 2010/0107351 A1 5/2010 Rosenzweig et al.
 2011/0100395 A1 * 5/2011 Van LANDINGHAM, Jr
 A47L 13/58
 134/6
 2011/0240068 A1 10/2011 Rosenzweig et al.
 2015/0013098 A1 * 1/2015 Vrdoljak A47L 13/256
 15/320
 2017/0049292 A1 2/2017 Harrington et al.

FOREIGN PATENT DOCUMENTS

JP D1580949 7/2017
 JP D1581992 7/2017

OTHER PUBLICATIONS

AmazonSmile—Shark Genius Steam Pocket Mop System, review date Dec. 2016, https://smile.amazon.com/Shark-3enius-Pocket-System-S5003D/dp/B01KU4BSGK/ref=cm_cr_arp_d_product_top?ie=UTF8, [site visited Jul. 19, 2017 11:33:28 PM].
 Shark Genius Sanitizing Steam Pocket Mop System, website 2019, http://www.necessityonline.com/index.php?main_page=product_info&cPath=&products_id... site visited Sep. 5, 2019.
 U.S. Office Action dated Oct. 5, 2017, received in Design U.S. Appl. No. 29/566,103, 21 pages.
 U.S. Office Action dated Feb. 7, 2020, received in Design Continuation U.S. Appl. No. 29/669,056, 7 pages.
 U.S. Notice of Allowance and Fee(s) Due dated Aug. 6, 2020, received in Design Continuation U.S. Appl. No. 29/669,056, 35 pages.

* cited by examiner

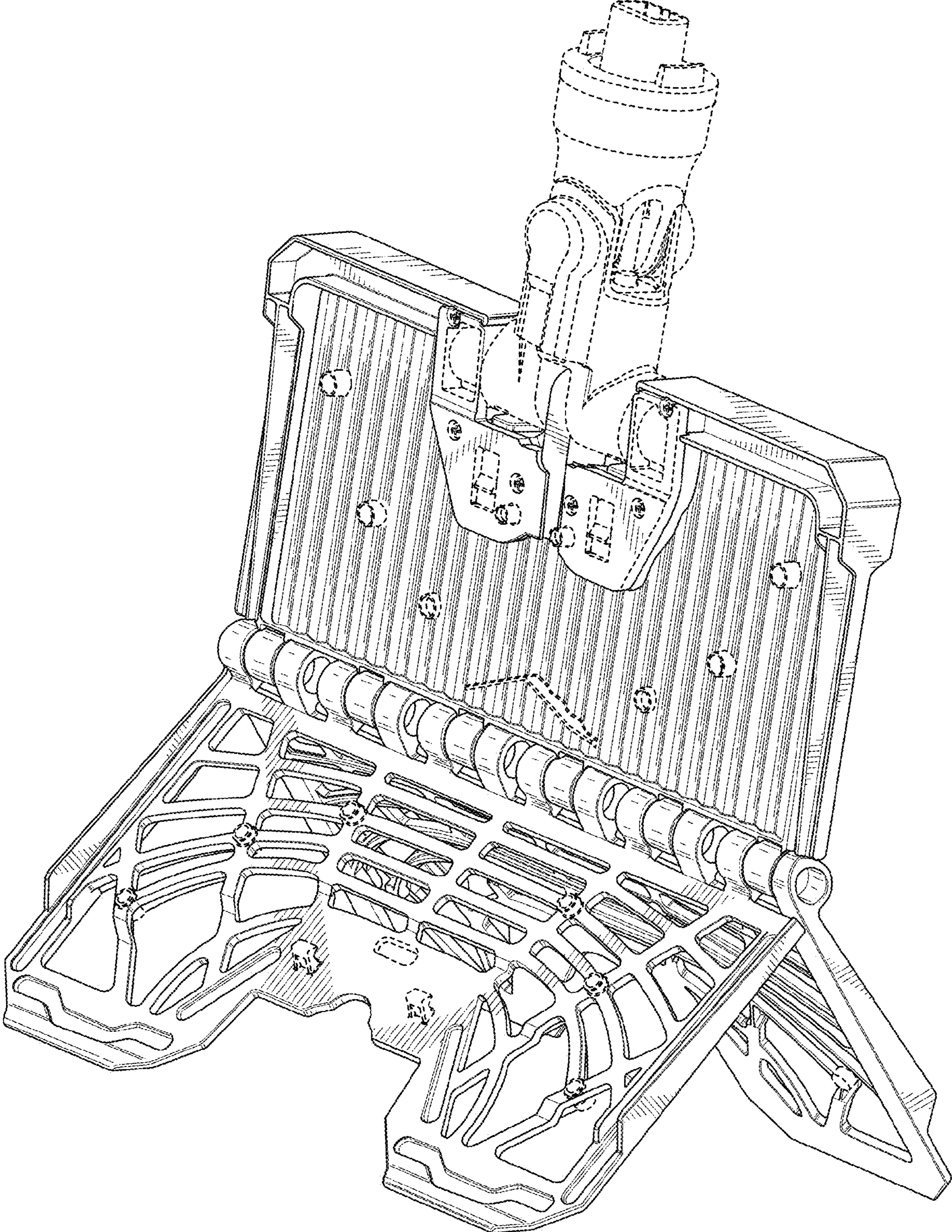


FIG. 1

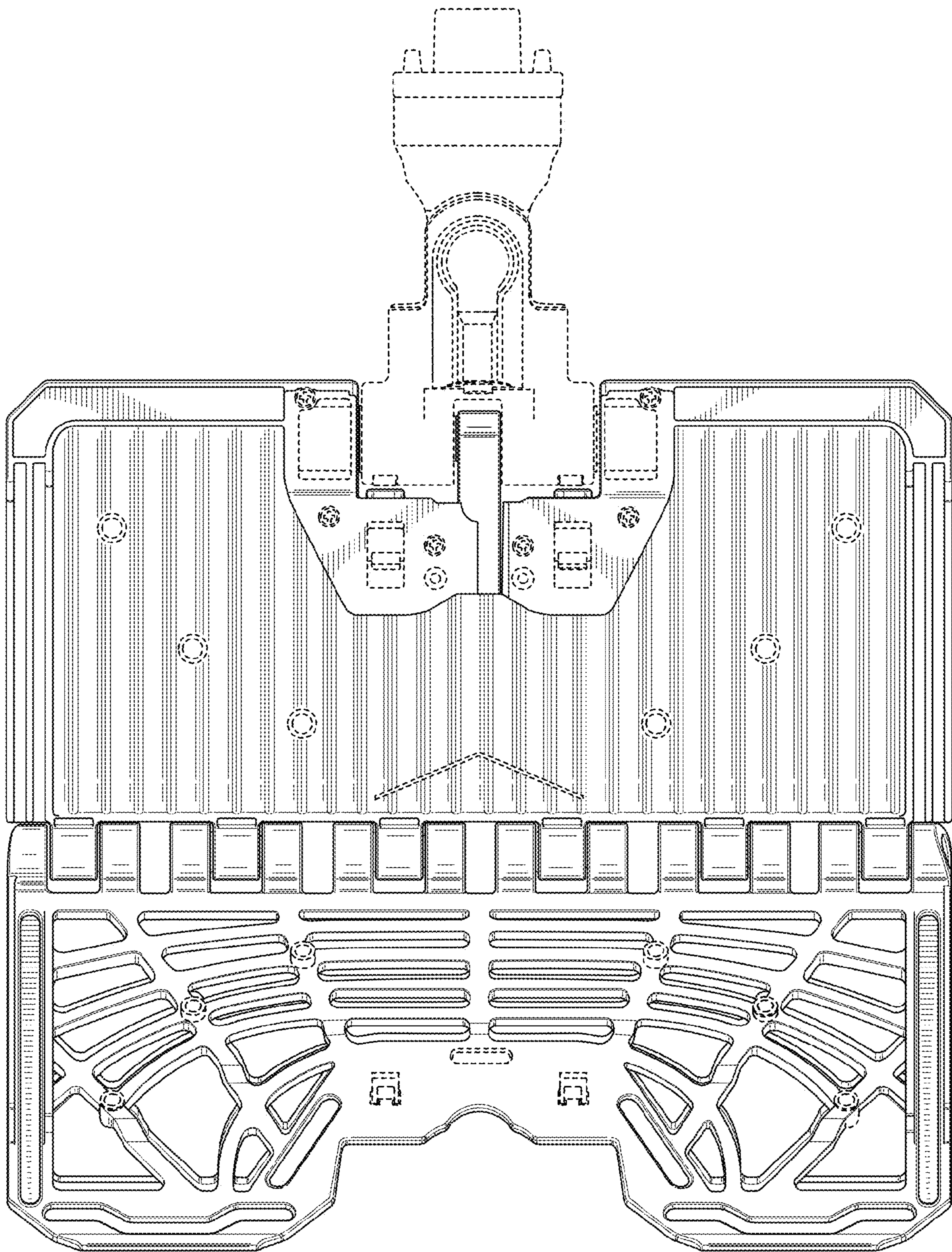


FIG. 2

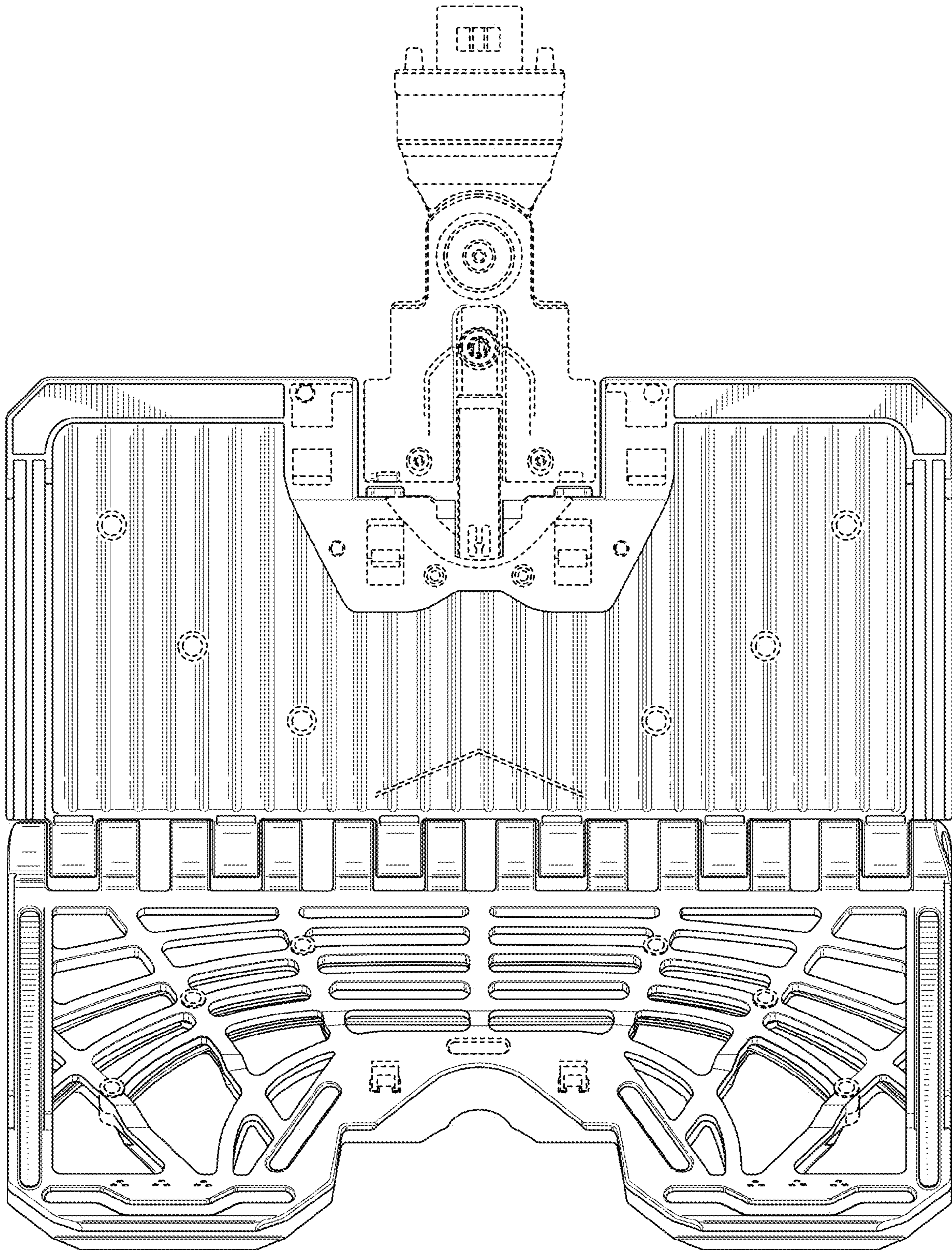


FIG. 3

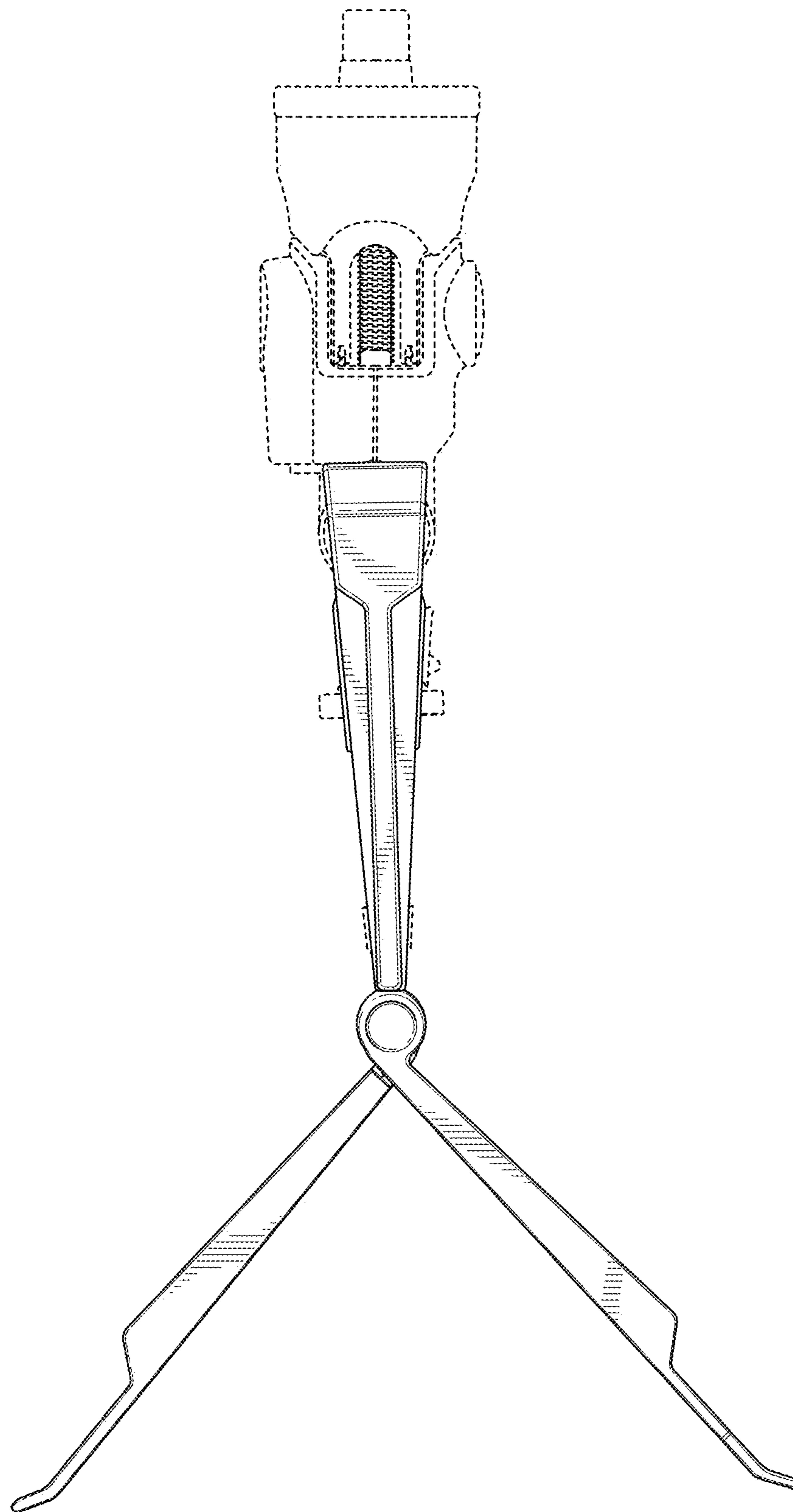


FIG. 4

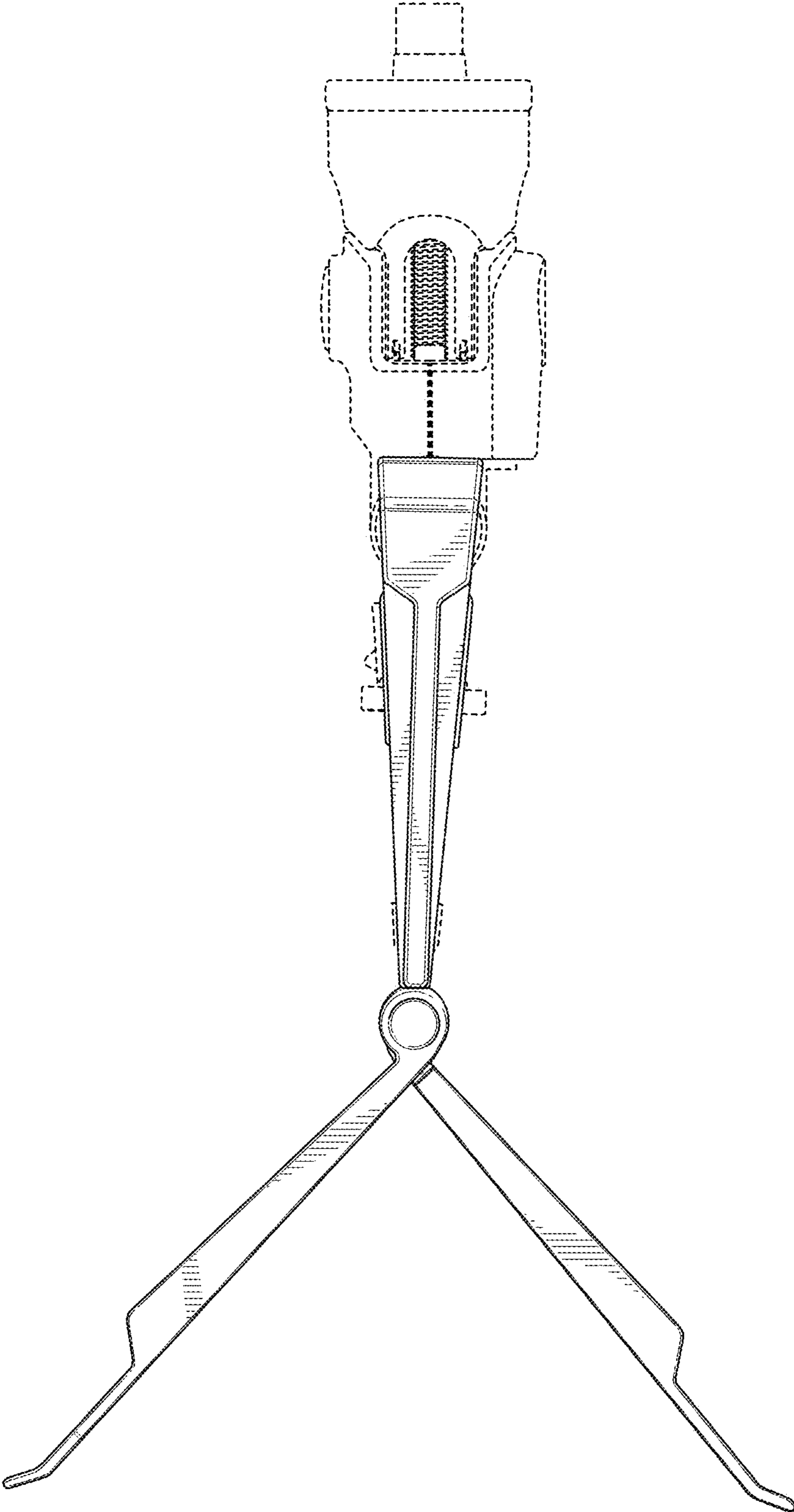


FIG. 5

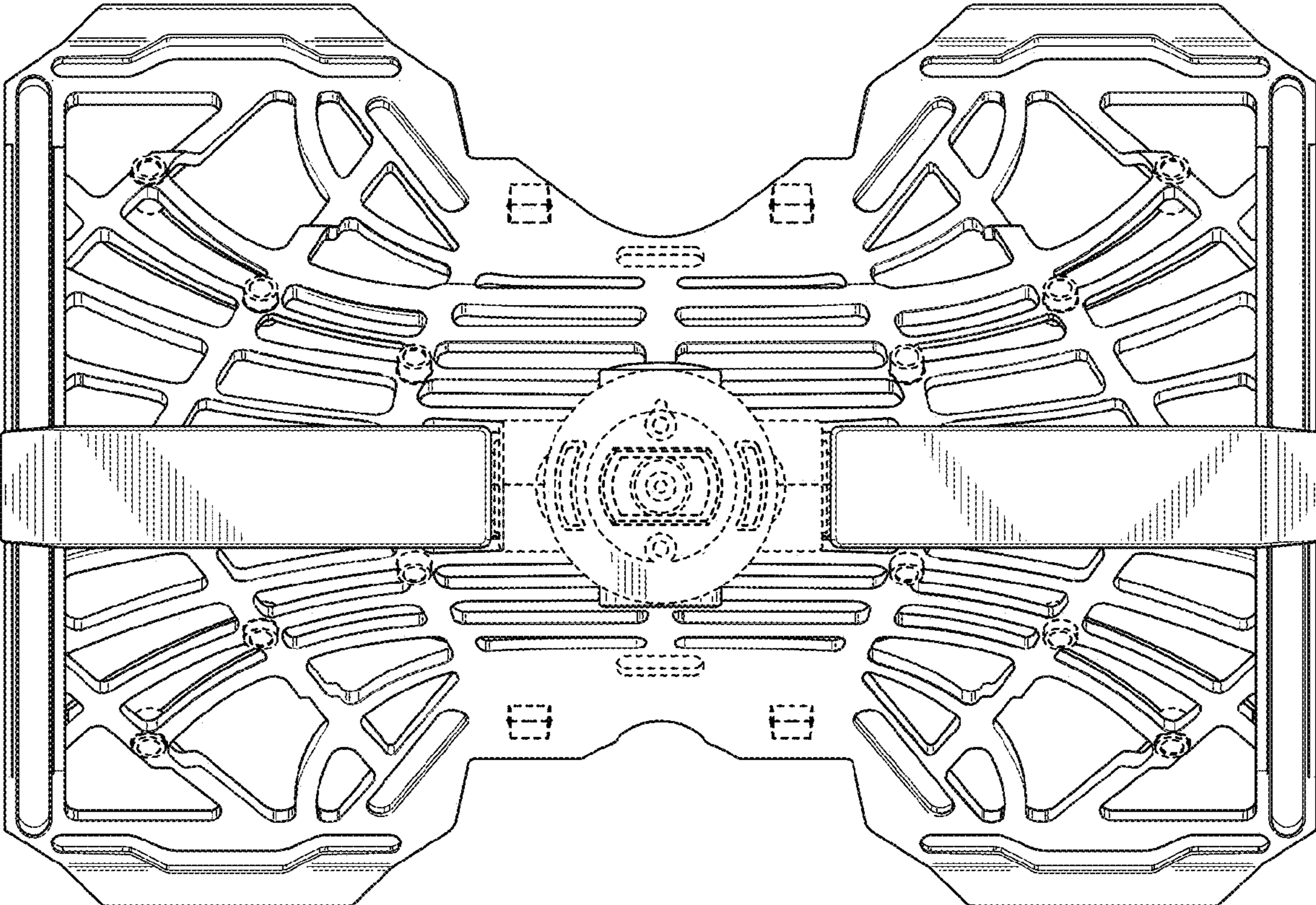


FIG. 6

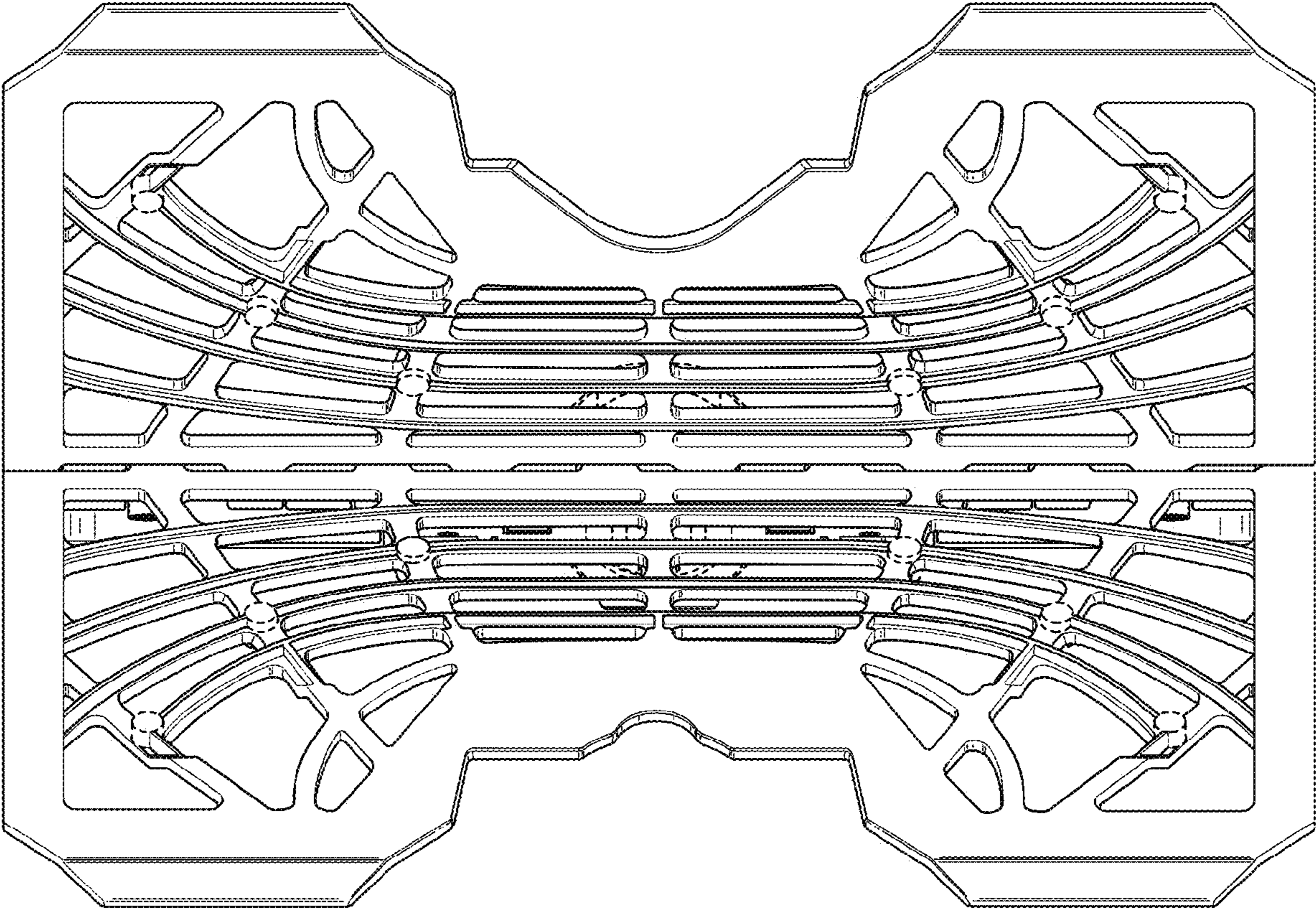


FIG. 7