



US00D936317S

(12) **United States Design Patent** (10) **Patent No.:** **US D936,317 S**
Libman et al. (45) **Date of Patent:** **** Nov. 16, 2021**

(54) **CLEANING TOOL**

(71) Applicant: **The Libman Company**, Arcola, IL (US)

(72) Inventors: **Andrew D. Libman**, Champaign, IL (US); **Aaron Libman**, Champaign, IL (US); **Jon Franklin**, St. Joseph, IL (US); **Carlos Aguiar**, Burgo (PT); **Fernando De Jesus Santos**, Maceira Lra, MA (US); **Marco Bizzotto**, Padua (IT)

(73) Assignee: **The Libman Company**, Arcola, IL (US)

(**) Term: **15 Years**

(21) Appl. No.: **29/661,741**

(22) Filed: **Aug. 30, 2018**

(51) **LOC (13) Cl.** **07-05**

(52) **U.S. Cl.**
USPC **D32/41**

(58) **Field of Classification Search**
USPC D32/40-43, 46; D8/10-11; D4/118
CPC E01H 5/00; E01H 5/02; A47J 37/07; A47L 17/00; A47L 13/10; A47L 13/12; A47L 1/08; A47L 1/00
See application file for complete search history.

(56) **References Cited**

U.S. PATENT DOCUMENTS

1,628,783 A	5/1927	Jbsen
2,328,287 A	8/1943	Martin
2,440,099 A	4/1948	Kind
2,672,639 A	3/1954	Bruger
2,681,464 A	6/1954	Baril
2,771,623 A	11/1956	Baril
2,771,626 A	11/1956	Toothman
2,864,110 A	12/1958	Usher
3,863,289 A	2/1975	Whittaker

3,892,005 A	7/1975	Berns
4,697,296 A	10/1987	Smahlik
4,716,616 A	1/1988	Poon
D296,946 S	7/1988	Stirling
4,776,716 A	10/1988	Huang
		(Continued)

OTHER PUBLICATIONS

“Quickie 24 in. Dual Blade Floor Squeegee”, publication date unknown, but prior to the filing date of the present application, retrieved from <<https://www.homedepot.com/p/Quickie-24-in-Dual-Blade-Floor-Squeegee-019JSHDSU-6/302770933>> on Oct. 12, 2018.

(Continued)

Primary Examiner — Michelle E. Wilson

(74) *Attorney, Agent, or Firm* — Banner & Witcoff, Ltd.

(57) **CLAIM**

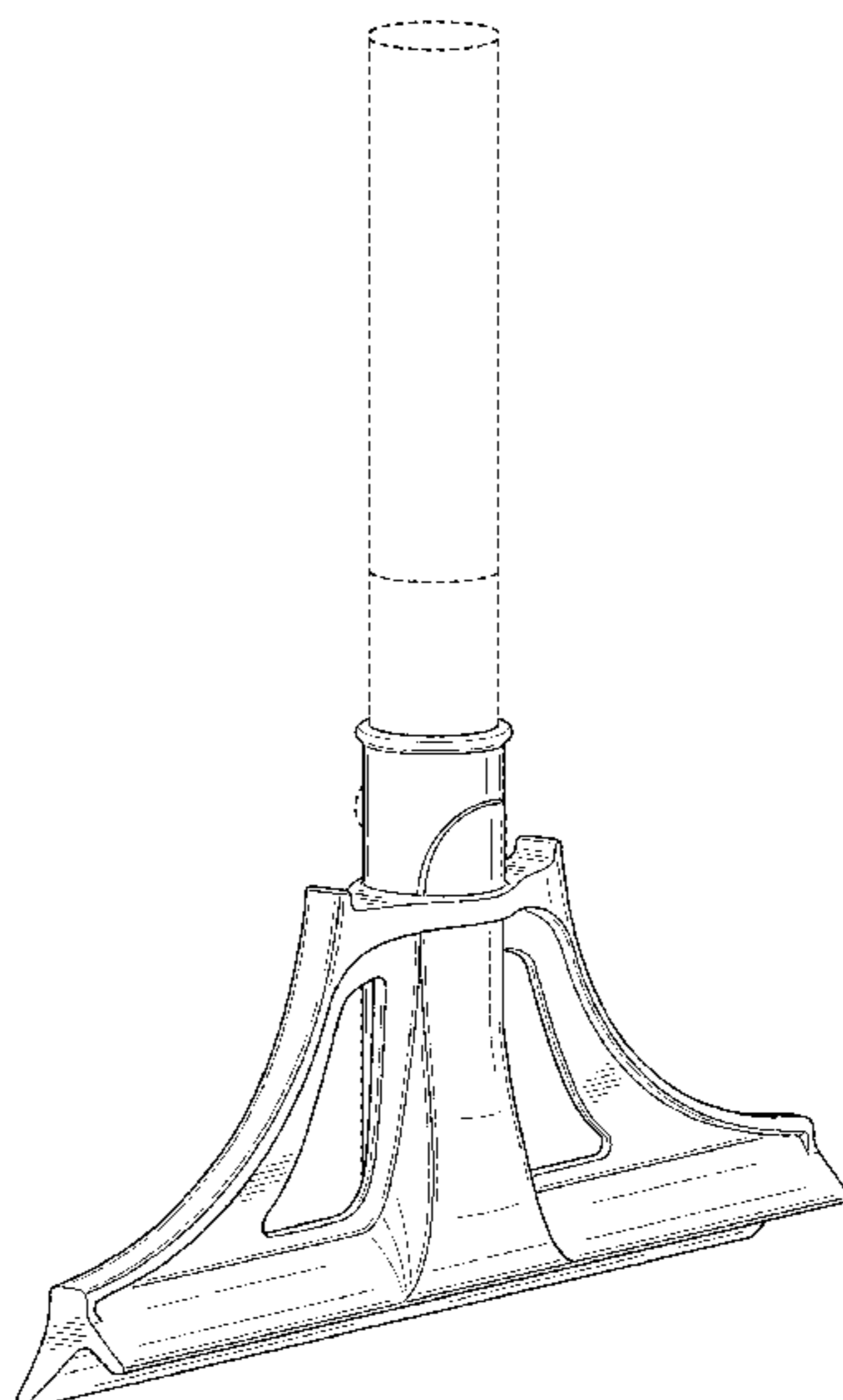
The ornamental design for a cleaning tool, as shown and described.

DESCRIPTION

FIG. 1 is a top, front, left perspective view of a cleaning tool showing our new design;
FIG. 2 is a top, front, left perspective view thereof with some unclaimed subject matter omitted;
FIG. 3 is a top, rear, right perspective view thereof;
FIG. 4 a front view thereof;
FIG. 5 is a rear view thereof;
FIG. 6 is a right side view thereof;
FIG. 7 is a left side view thereof;
FIG. 8 is a top view thereof; and,
FIG. 9 is a bottom view thereof.

The broken lines immediately adjacent to the shaded area define the bounds of the claimed design and form no part thereof. The broken lines depicting the remainder of the cleaning tool show features that form no part of the claimed design.

1 Claim, 7 Drawing Sheets



(56)

References Cited

U.S. PATENT DOCUMENTS

4,777,694 A 10/1988 Young
 4,847,938 A 7/1989 Unger
 4,941,228 A 7/1990 Belanger et al.
 5,930,863 A 8/1999 Samuelsson
 5,946,762 A 9/1999 Dionisio
 D461,029 S * 7/2002 Ng D32/40
 D481,500 S * 10/2003 Libman D32/41
 D481,501 S 10/2003 Richter
 D500,184 S 12/2004 Libman et al.
 D501,969 S 2/2005 Libman et al.
 D502,580 S * 3/2005 Williams D32/41
 6,931,690 B2 8/2005 Cox
 D512,193 S * 11/2005 Hay D32/41
 D515,262 S 2/2006 Hay
 7,000,282 B2 2/2006 Cox et al.
 7,155,770 B2 1/2007 Anderson et al.
 D547,511 S 7/2007 Libman et al.
 D548,415 S 8/2007 Libman et al.
 D564,161 S * 3/2008 Talesfore D32/41
 D588,767 S 3/2009 Libman et al.
 D604,919 S * 11/2009 Meyer D32/41
 7,707,679 B2 5/2010 Young
 7,748,074 B2 7/2010 Guizzi
 D632,857 S 2/2011 Sgroi et al.
 D633,265 S * 2/2011 Roschi D32/41
 D633,671 S * 3/2011 Franklin D32/40
 D633,674 S * 3/2011 Franklin D32/40
 D685,547 S * 7/2013 Vasilakes D32/40

D739,105 S * 9/2015 Cyrus D32/35
 2006/0254009 A1 11/2006 Tsai et al.
 2009/0049636 A1 2/2009 Bae

OTHER PUBLICATIONS

“Quickie Bulldozer 24 in. Floor Squeegee (2-Pack)”, publication date unknown, but prior to the filing date of the present application, retrieved from <<https://www.homedepot.com/p/Quickie-Bulldozer-24-in-Floor-Squeegee-2-Pack-16HDSU2/100642940>> on Oct. 12, 2018.
 “Libman Shower Squeegee”, publication date unknown, but prior to the filing date of the present application, retrieved from <<https://libmanpro.com/products/1070/>> on Oct. 12, 2018.
 “Libman 12" Stainless Steel Squeegee”, publication date unknown, but prior to the filing date of the present application retrieved from <<https://libmanpro.com/products/189/>> on Oct. 12, 2018.
 “Libman All-Purpose Squeegee”, publication date unknown, but prior to the filing date of the present application, retrieved from <<https://libmanpro.com/products/182/>> on Oct. 12, 2018.
 “Libman Commercial 18" Stainless Steel Squeegee”, publication date unknown, but prior to the filing date of the present application, retrieved from <<https://libmanpro.com/products/190/>> on Oct. 12, 2018.
 “Libman 18" Clamp Squeegee”, publication date unknown, but prior to the filing date of the present application, retrieved from <<https://libmanpro.com/products/1060/>> on Oct. 12, 2018.
 “Libman 18" Swivel Squeegee”, publication date unknown, but prior to the filing date of the present application, retrieved from <<https://libmanpro.com/products/1061/>> on Oct. 12, 2018.

* cited by examiner

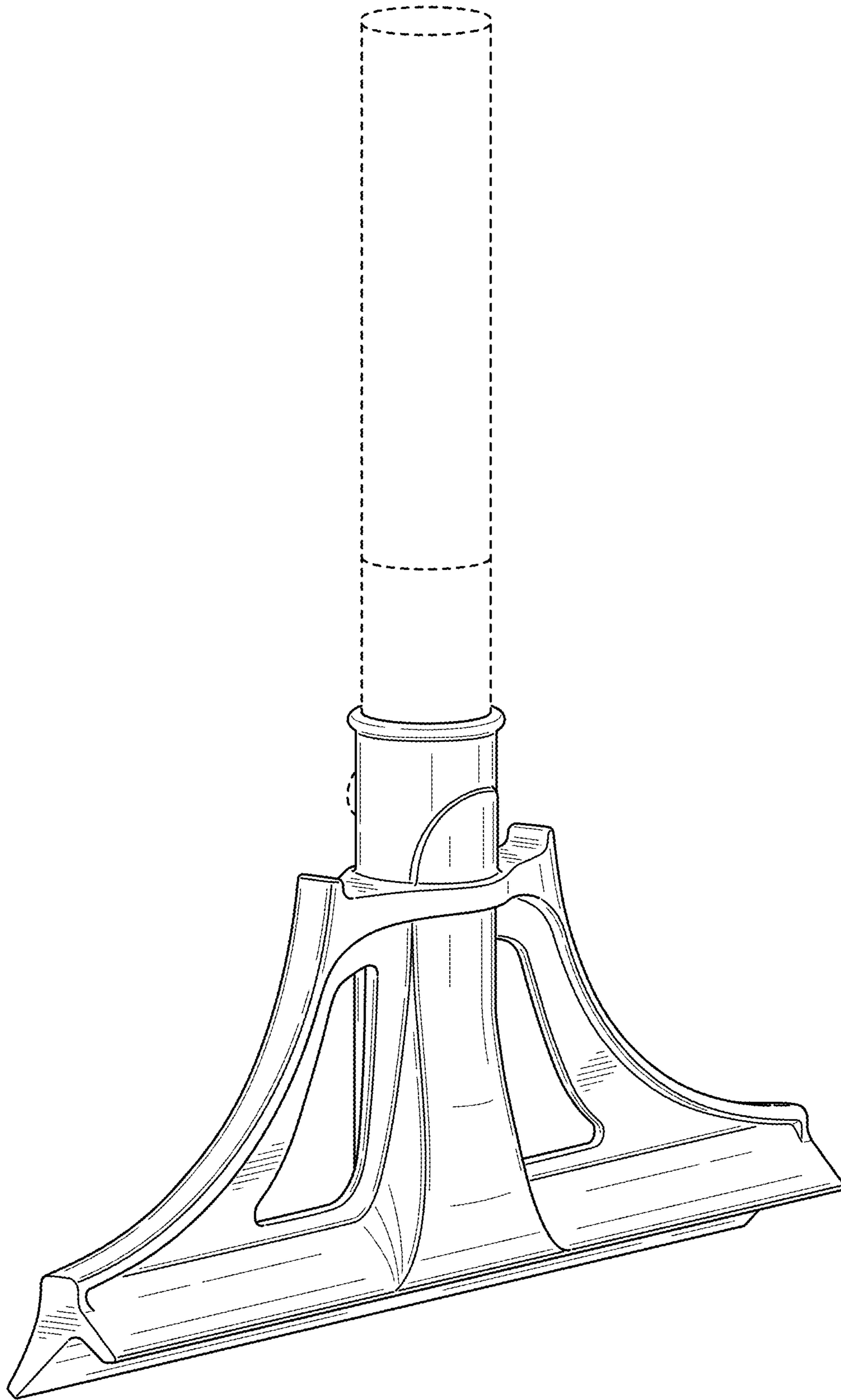


FIG. 1

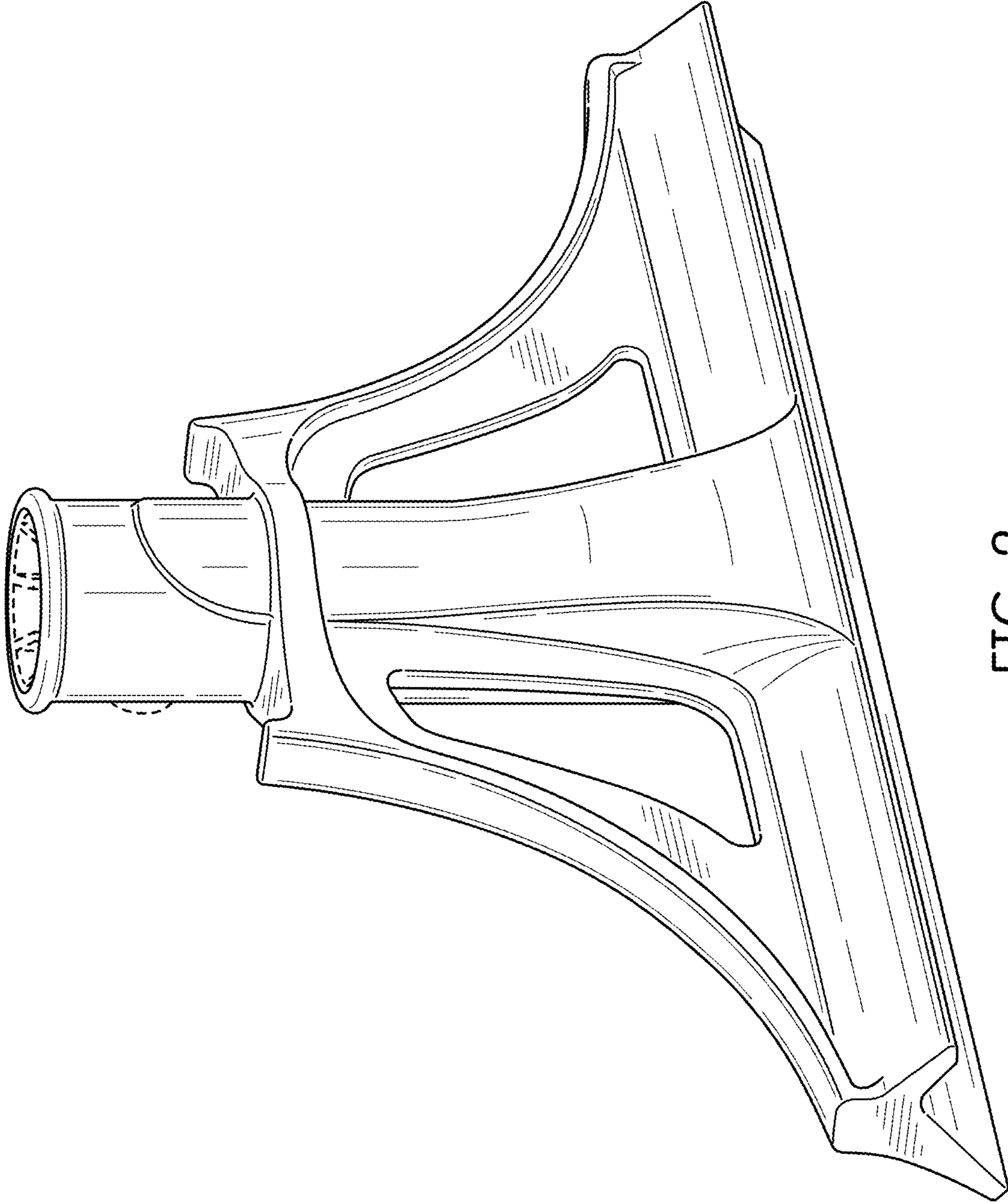


FIG. 2

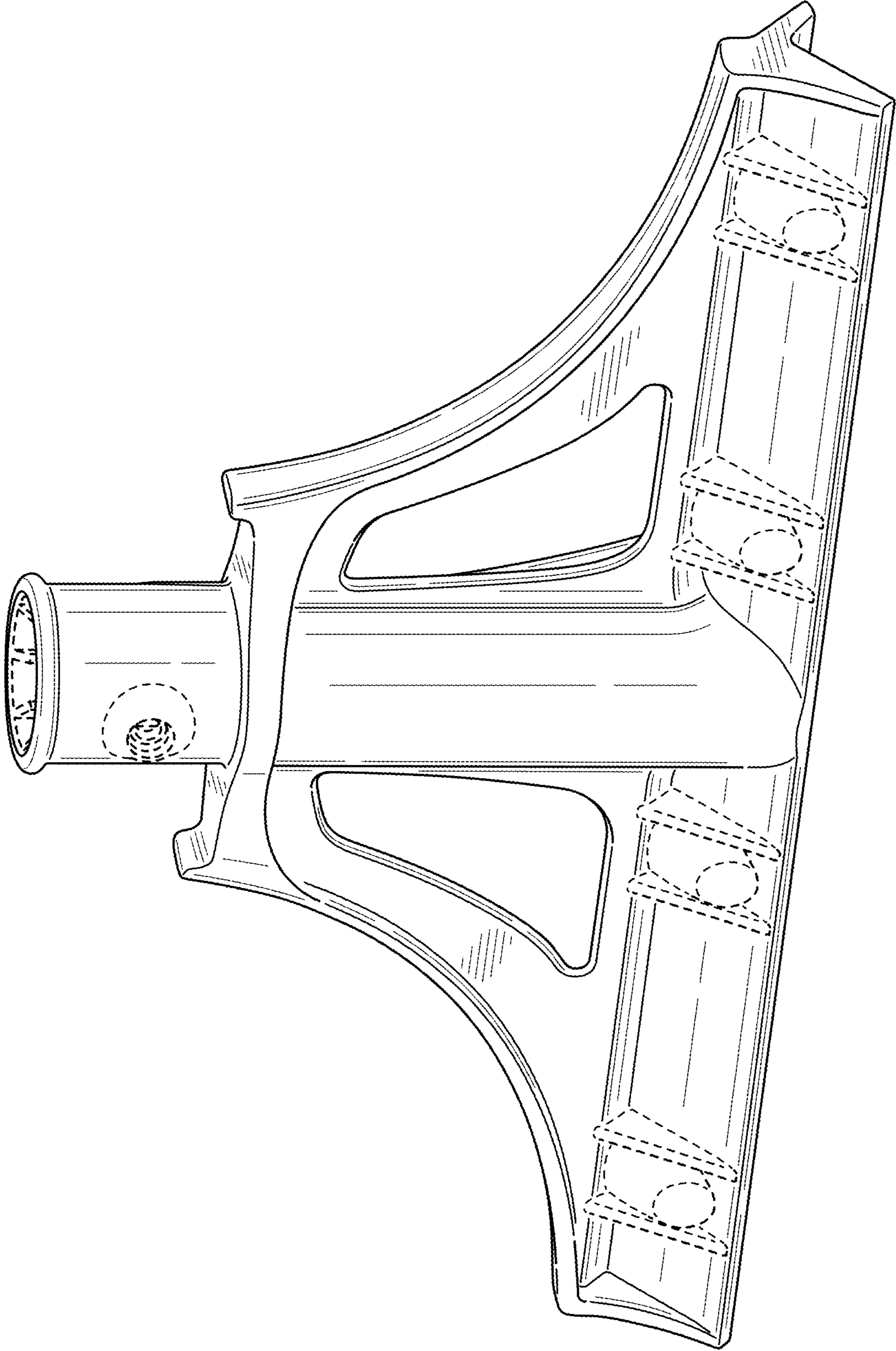


FIG. 3

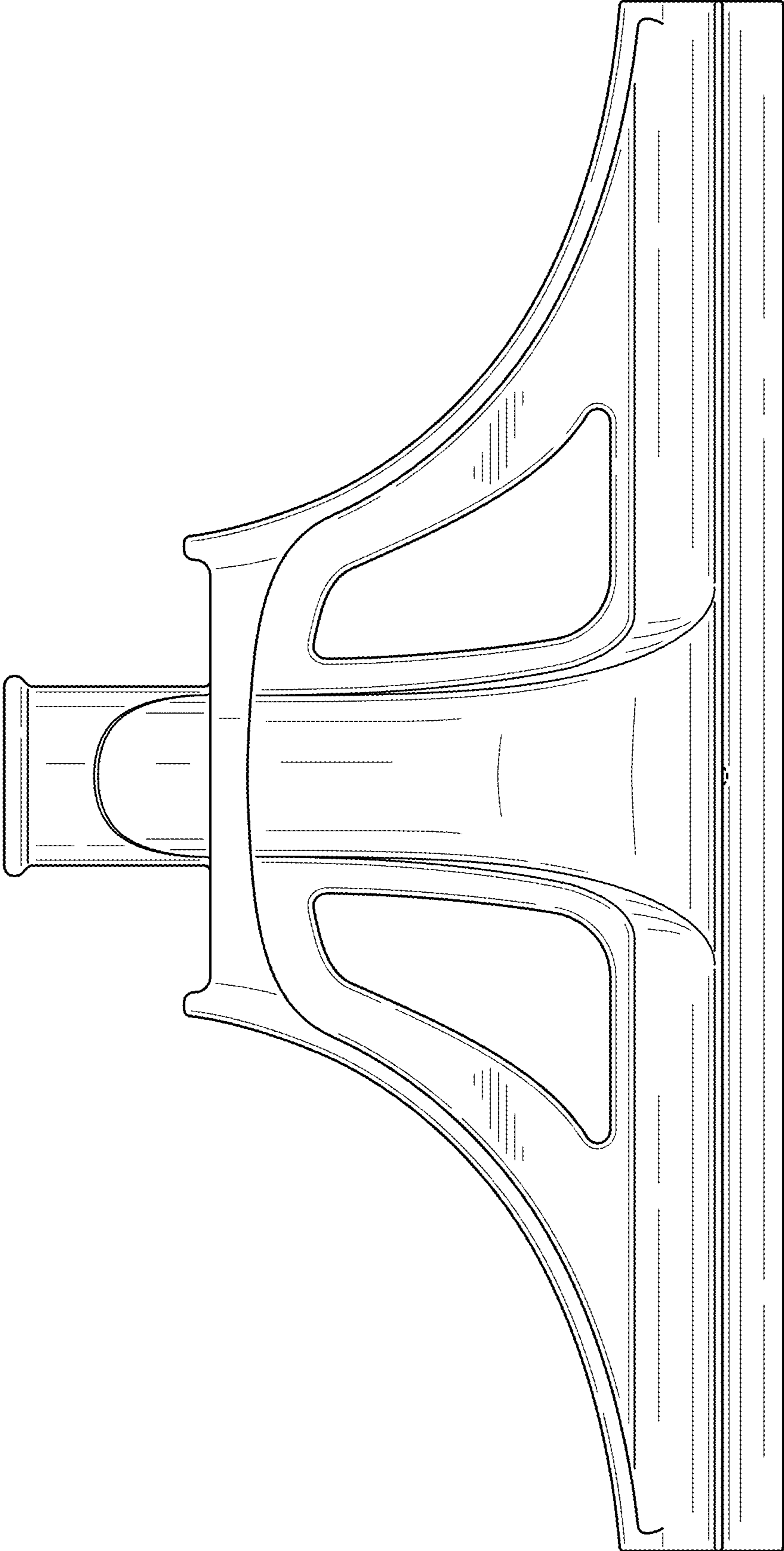


FIG. 4

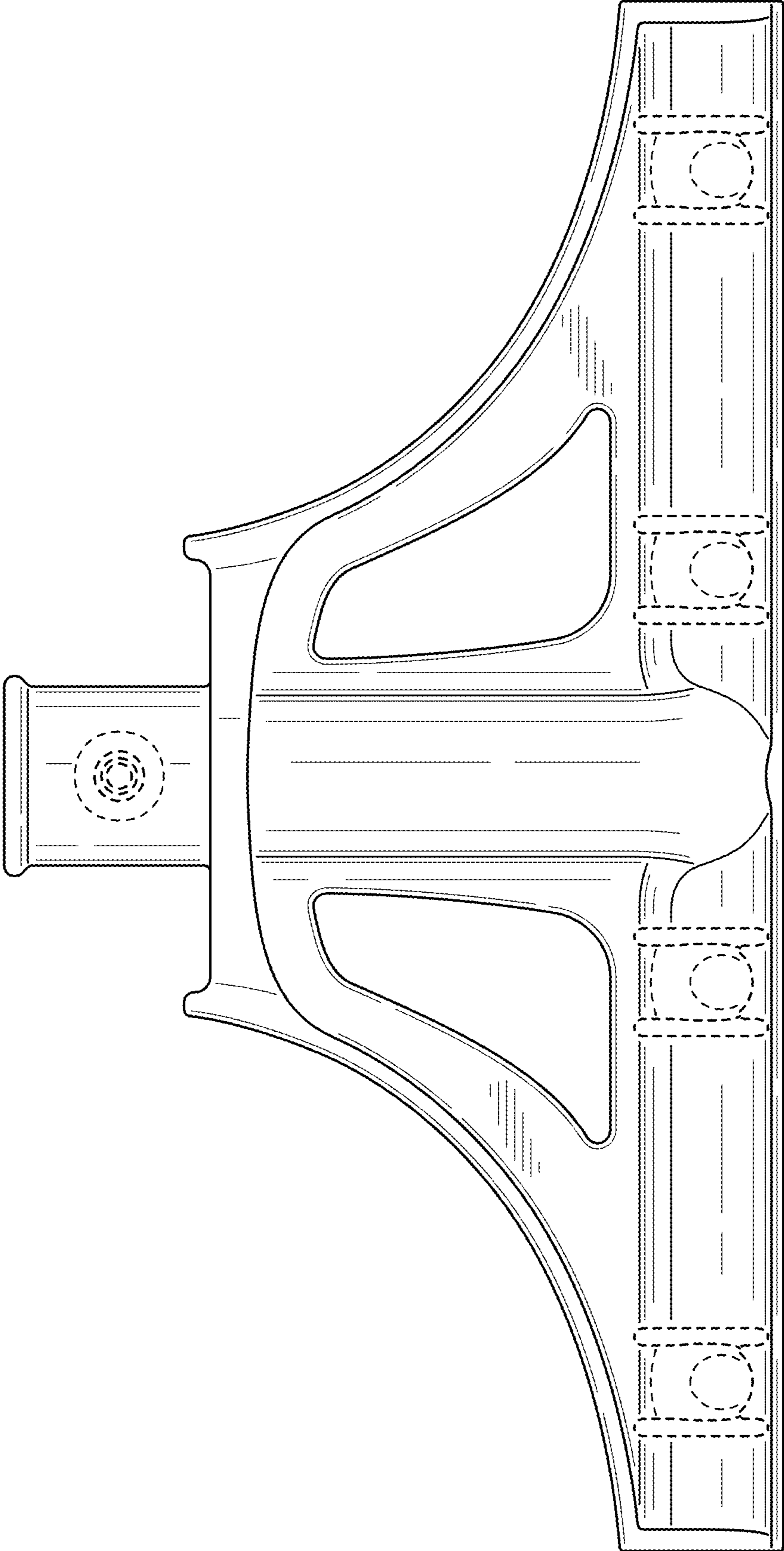


FIG. 5

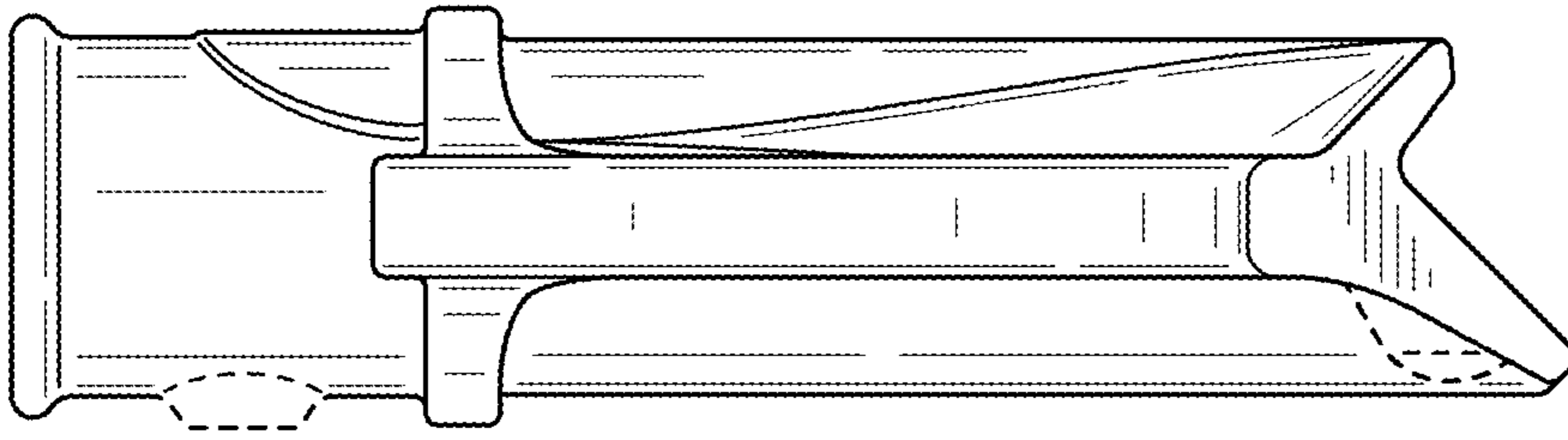


FIG. 7

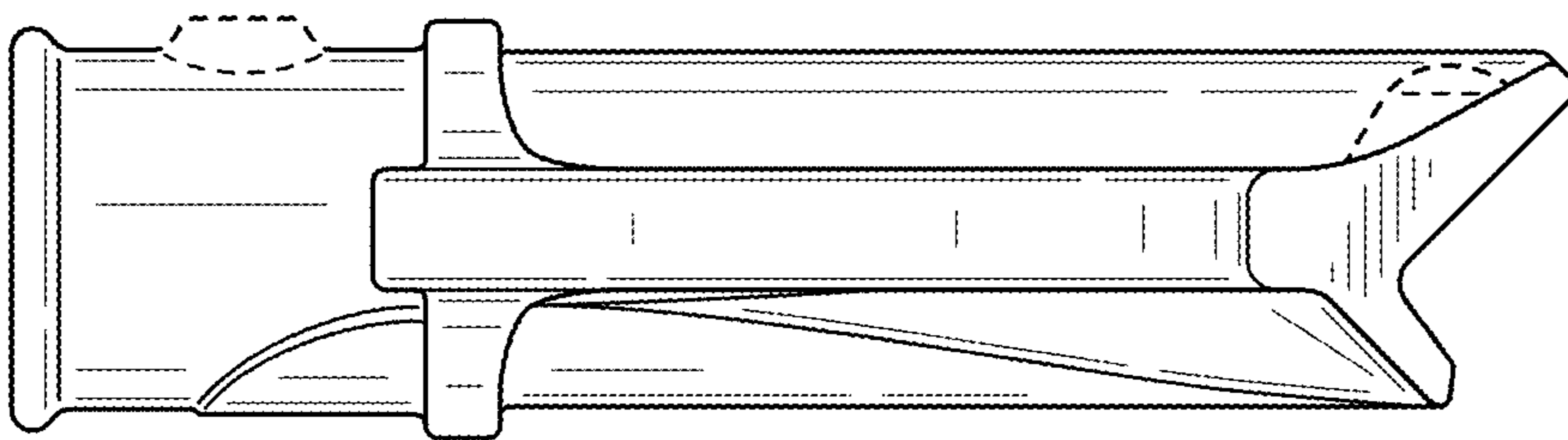


FIG. 6

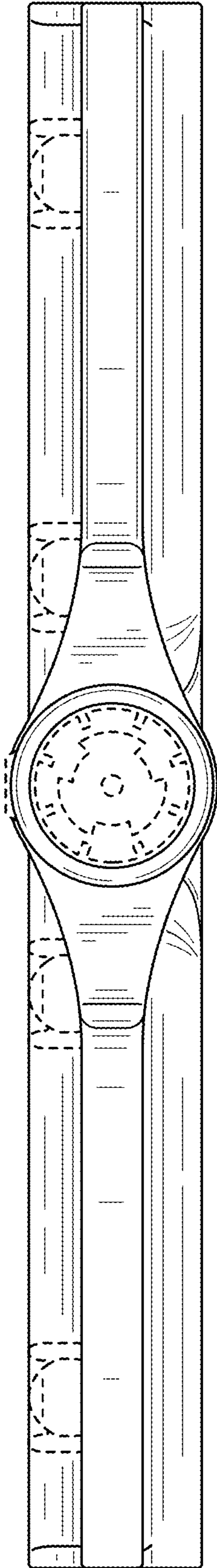


FIG. 8

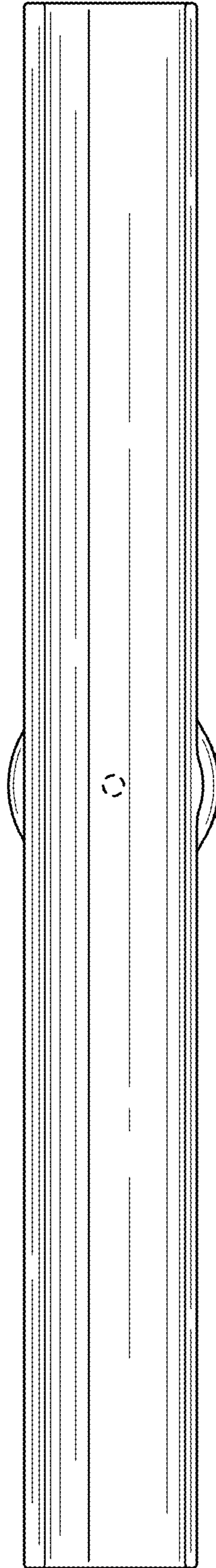


FIG. 9