



US00D936314S

(12) **United States Design Patent**
Lim et al.

(10) **Patent No.:** **US D936,314 S**
(45) **Date of Patent:** **** Nov. 16, 2021**

(54) **ROBOTIC VACUUM CLEANER**

(71) Applicant: **LG ELECTRONICS INC.**, Seoul (KR)

(72) Inventors: **Jihyun Lim**, Seoul (KR); **Jongil Park**, Seoul (KR); **Jaehun Han**, Seoul (KR)

(73) Assignee: **LG ELECTRONICS INC.**, Seoul (KR)

(**) Term: **15 Years**

(21) Appl. No.: **29/725,475**

(22) Filed: **Feb. 25, 2020**

(30) **Foreign Application Priority Data**

Aug. 28, 2019 (KR) 30-2019-0041293

(51) **LOC (13) Cl.** **15-05**

(52) **U.S. Cl.**
USPC **D32/21**

(58) **Field of Classification Search**

USPC D32/21, 31; D21/526, 578; D8/70, 310, D8/330; D10/37, 38, 50, 106.2, 106.5; D13/108, 209; D23/254

CPC . A47L 5/08; A47L 5/30; A47L 7/0004; A47L 9/04; A47L 9/168; A47L 9/2805; A47L 9/2873; A47L 11/4011; A47L

(Continued)

(56) **References Cited**

U.S. PATENT DOCUMENTS

D577,357 S * 9/2008 Poandl D14/216
7,996,051 B2 * 8/2011 Demuyneck H04M 1/0237
455/575.3

(Continued)

FOREIGN PATENT DOCUMENTS

CN 302081441 * 9/2012
KR 300827701.0000 * 12/2015

(Continued)

OTHER PUBLICATIONS

LG HomBot Square, announced in YouTube on Mar. 22, 2021 [online], [site visited Jan. 2, 2014], Available from the internet URL: <https://www.youtube.com/watch?v=kuqoh3Aq7x4> (Year: 2014).*

(Continued)

Primary Examiner — Dana K Weiland

Assistant Examiner — Jennylou M Binas

(74) *Attorney, Agent, or Firm* — Birch, Stewart, Kolasch & Birch, LLP

(57) **CLAIM**

The ornamental design for a robotic vacuum cleaner, as shown and described.

DESCRIPTION

FIG. 1 is a front, right side, perspective view of a robotic vacuum cleaner showing our new design;

FIG. 2 is a front view thereof;

FIG. 3 is a rear view thereof;

FIG. 4 is a left side view thereof;

FIG. 5 is a right side view thereof;

FIG. 6 is a top view thereof;

FIG. 7 is a bottom view thereof;

FIG. 8 is a front, right side, perspective view of the robotic vacuum cleaner lowered in an alternate configuration;

FIG. 9 is a front view thereof;

FIG. 10 is a rear view thereof;

FIG. 11 is a left side view thereof;

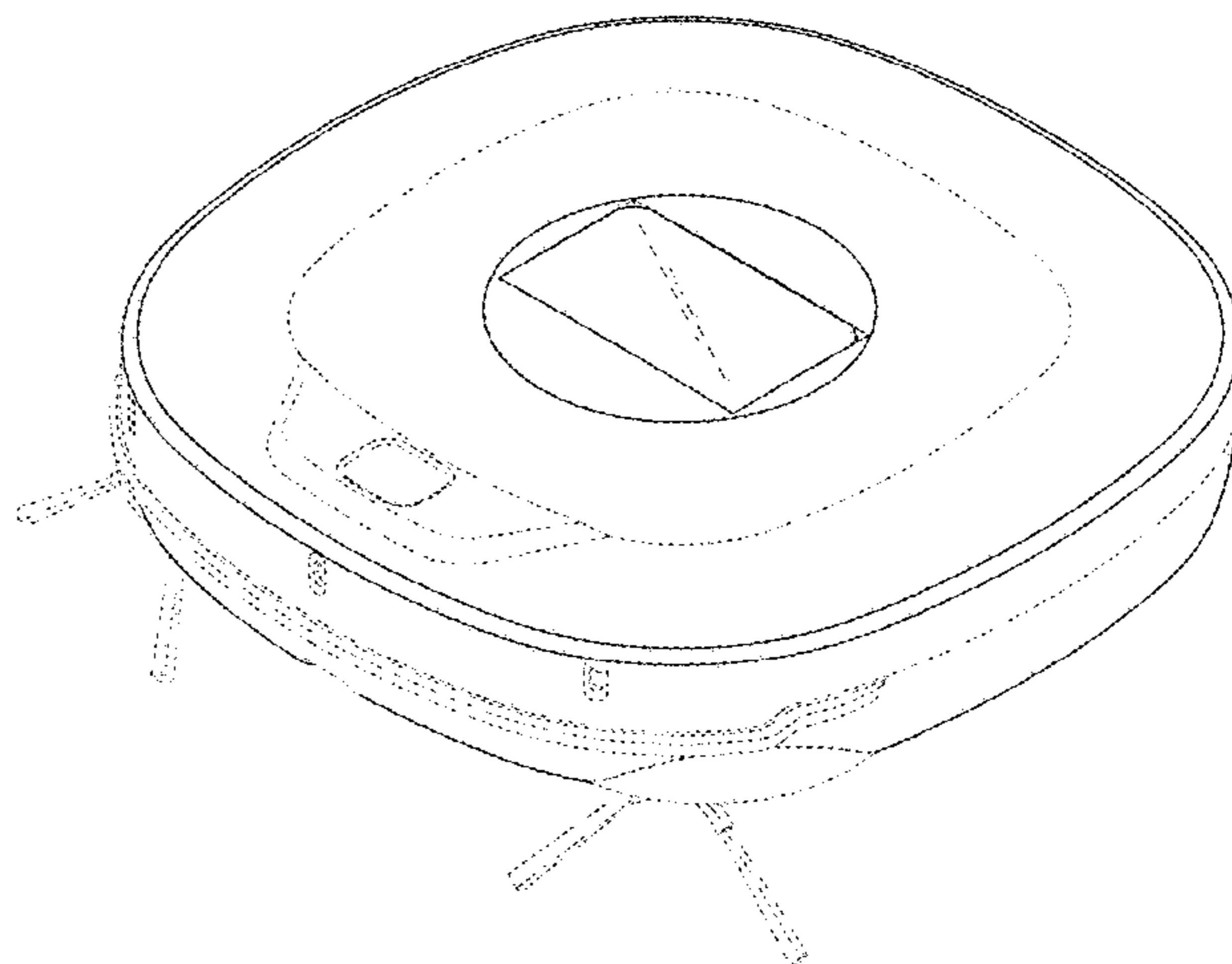
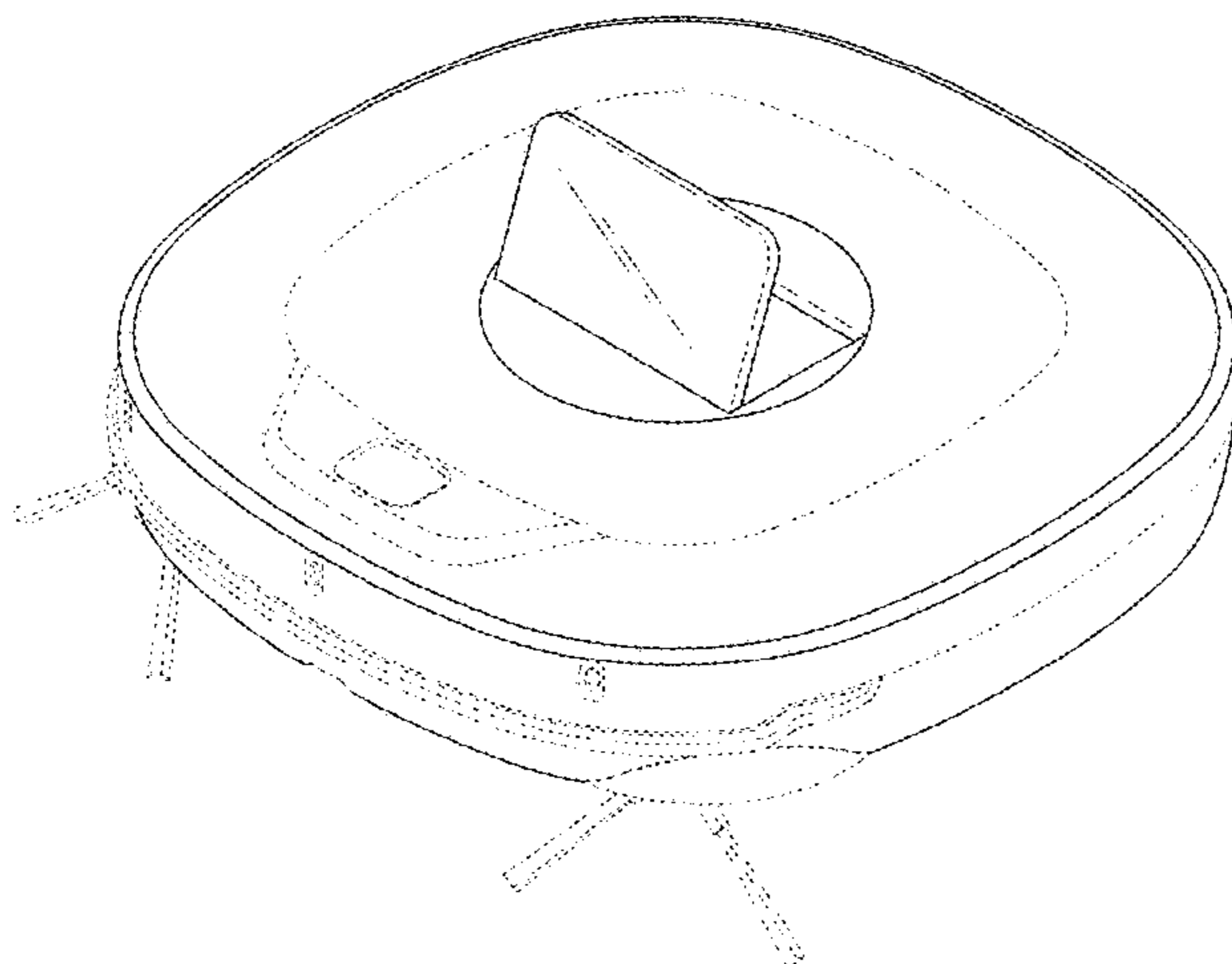
FIG. 12 is a right side view thereof;

FIG. 13 is a top view thereof; and,

FIG. 14 is a bottom view.

The broken lines indicate portions of the robotic vacuum cleaner that form no part of the claimed design.

1 Claim, 14 Drawing Sheets



(58) **Field of Classification Search**
 CPC 11/4016; A47L 11/4038; A47L 11/4041;
 A47L 11/4044; A47L 2201/02; A47L
 2201/04; A47L 2201/06; B25J 9/0003;
 B25J 9/1694; E04H 4/1636; G05D
 1/0225; G06N 3/008
 See application file for complete search history.

(56) **References Cited**

U.S. PATENT DOCUMENTS

D691,337	S	*	10/2013	Kim	D32/21
D703,397	S	*	4/2014	Sungkyung	D32/21
D704,400	S	*	5/2014	Shin	D32/21
D709,255	S	*	7/2014	Wang	D32/21
D720,510	S	*	12/2014	Shin	D32/21
D748,878	S	*	2/2016	Dooley	D32/21
D823,561	S	*	7/2018	Casini	D32/21
D852,662	S	*	7/2019	Zhong	D10/81
D860,557	S	*	9/2019	Gnielka	D32/21
D870,403	S	*	12/2019	Ebrahimi Afrouzi	D32/21
D871,693	S	*	12/2019	Ebrahimi Afrouzi	D32/21
D883,511	S	*	5/2020	Li	D24/217
D884,999	S	*	5/2020	Ebrahimi Afrouzi	D32/21
D902,507	S	*	11/2020	Ebrahimi Afrouzi	D32/21
2014/0156075	A1	*	6/2014	Yang	A47L 11/4002 700/257
2014/0156076	A1	*	6/2014	Jeong	B25J 9/0003 700/257

2015/0165498	A1	*	6/2015	Kim	B60B 19/04 173/213
2016/0101524	A1	*	4/2016	Noh	G06K 9/2036 382/153
2016/0104044	A1	*	4/2016	Noh	B25J 9/1697 382/106
2017/0332871	A1	*	11/2017	Sung	G01C 21/206
2018/0192842	A1	*	7/2018	Sung	A47L 9/2852
2018/0206687	A1	*	7/2018	Kim	A47L 9/28
2018/0344118	A1	*	12/2018	Kim	B62D 55/125
2018/0360281	A1	*	12/2018	Shin	A47L 9/0494
2021/0085146	A1	*	3/2021	Cho	G05D 1/0219
2021/0121028	A1	*	4/2021	Sung	A47L 9/2852
2021/0161342	A1	*	6/2021	Kim	A47L 9/0494

FOREIGN PATENT DOCUMENTS

WO	D206340-001	*	8/2020
WO	D208838-001	*	8/2020

OTHER PUBLICATIONS

Top 5 Robot Vacuum Cleaners That You Can Buy Under \$200, available in [gizmochina.com](https://www.gizmochina.com), announced Apr. 11, 2019 [online], [site visited Mar. 22, 2021], Internet URL: [https://www.gizmochina.com/2019/04/11/top-5-robot-vacuum-cleaners-that-you-can-buy-under-200/\(Year:2019\).](https://www.gizmochina.com/2019/04/11/top-5-robot-vacuum-cleaners-that-you-can-buy-under-200/(Year:2019).)*

* cited by examiner

FIG. 1

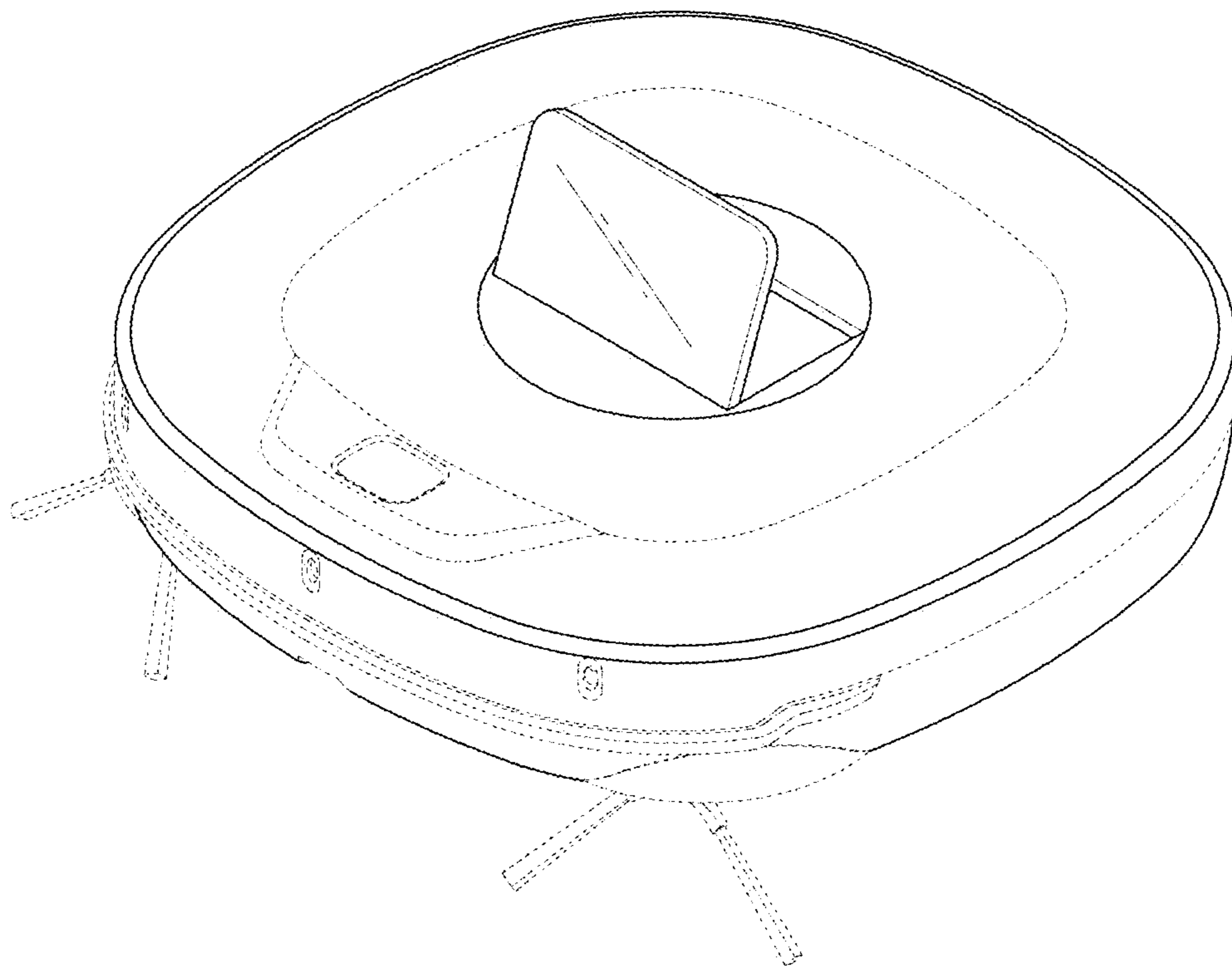


FIG. 2

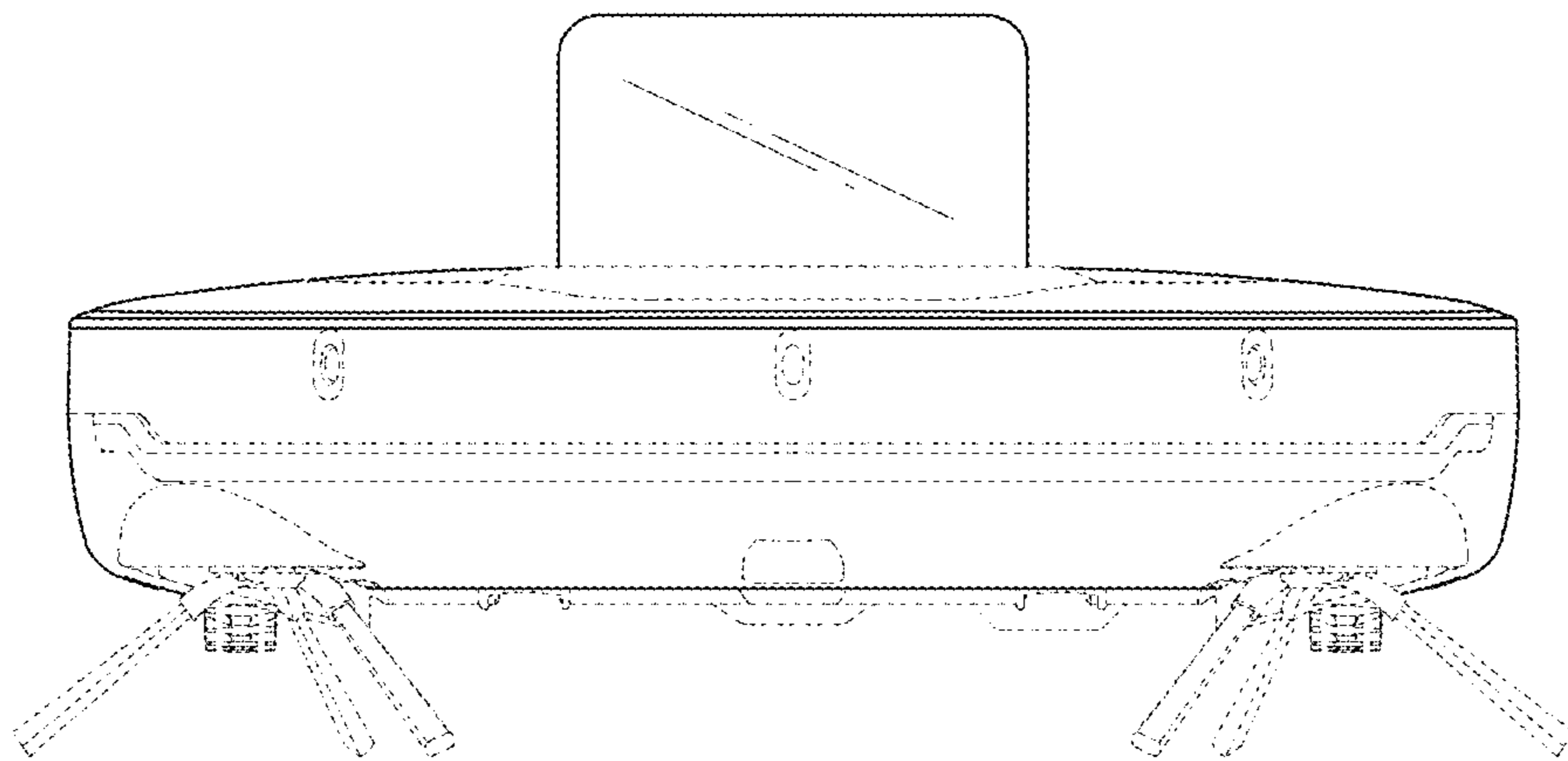


FIG. 3

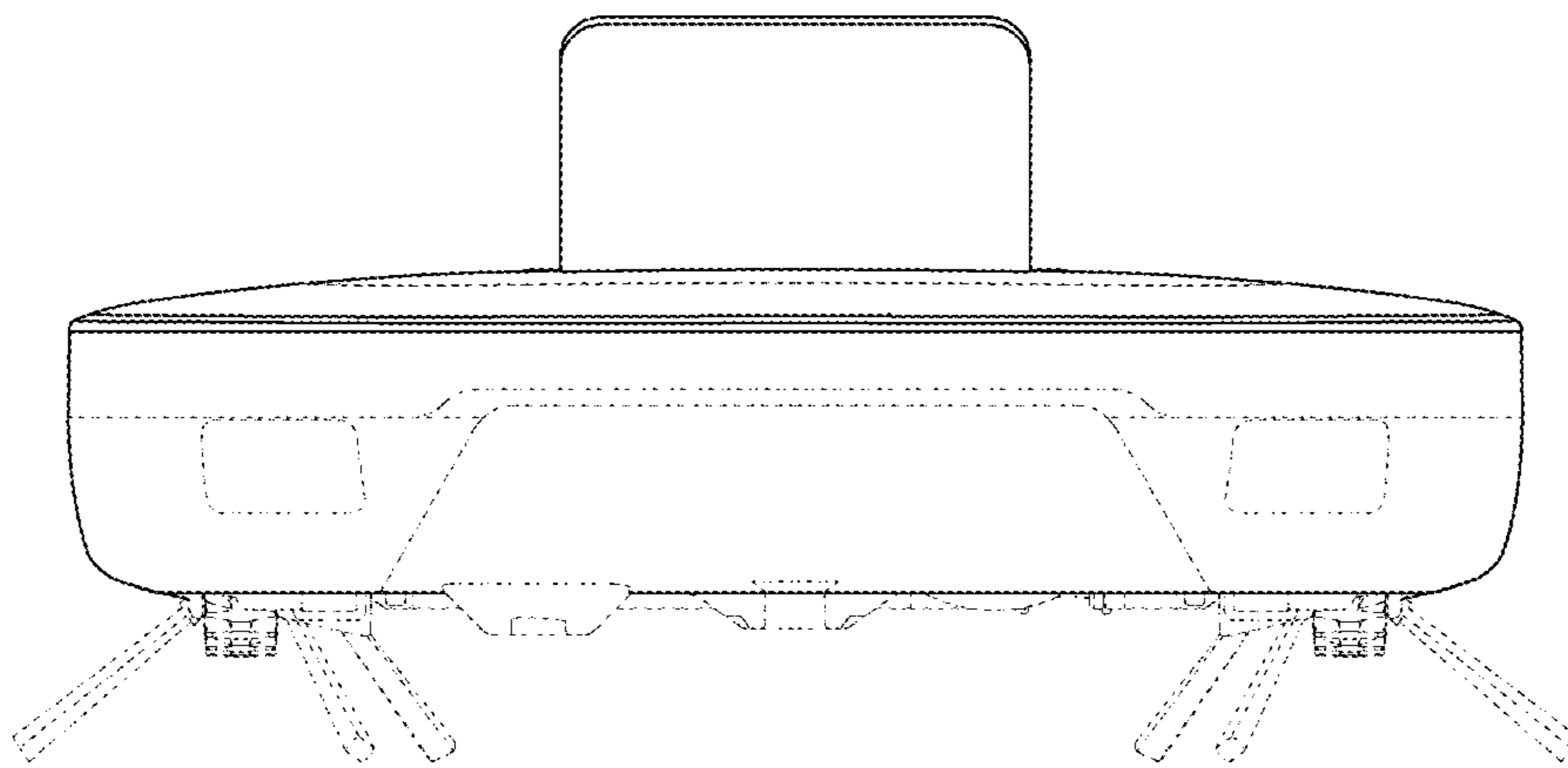


FIG. 4

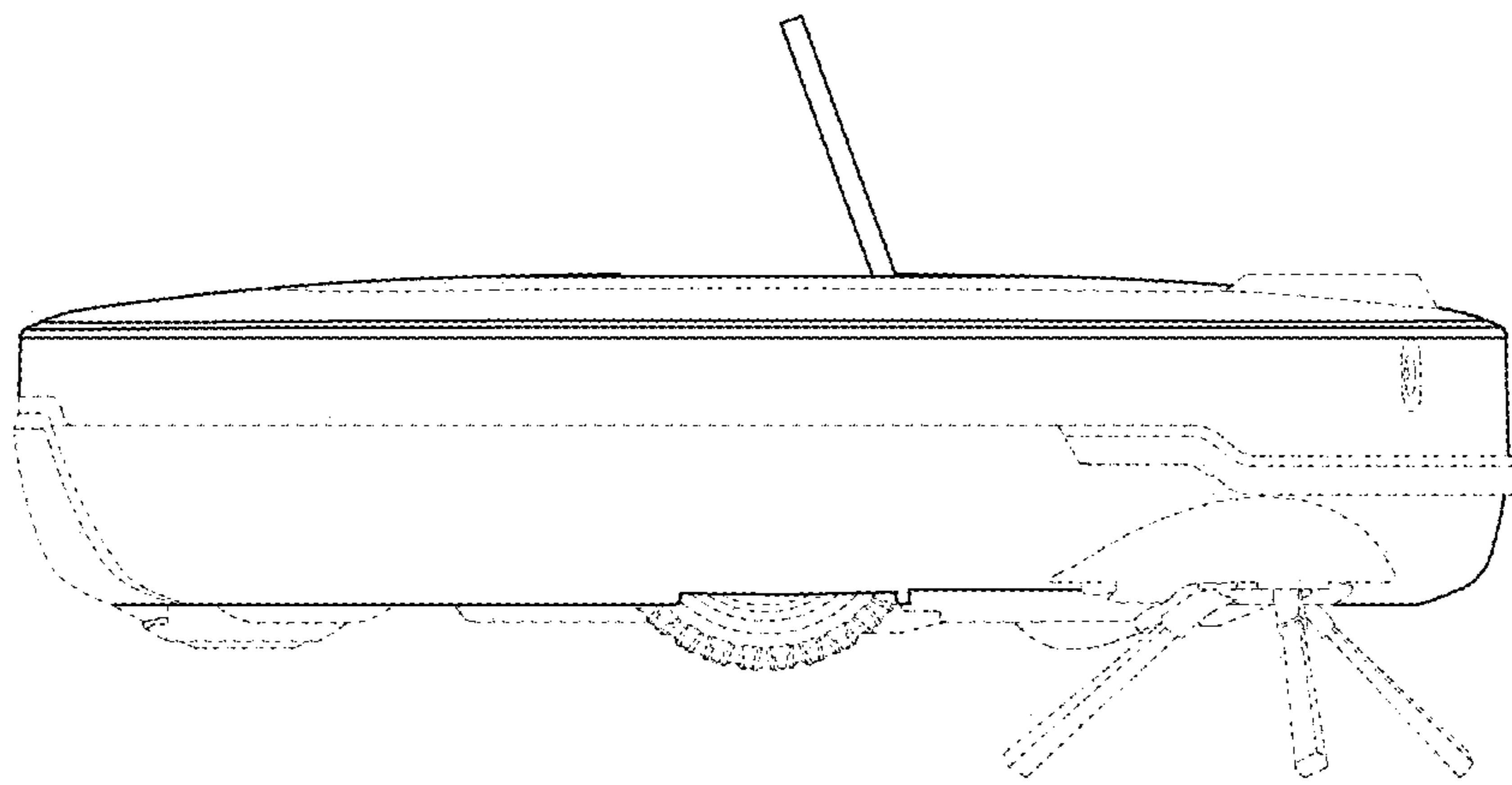


FIG. 5

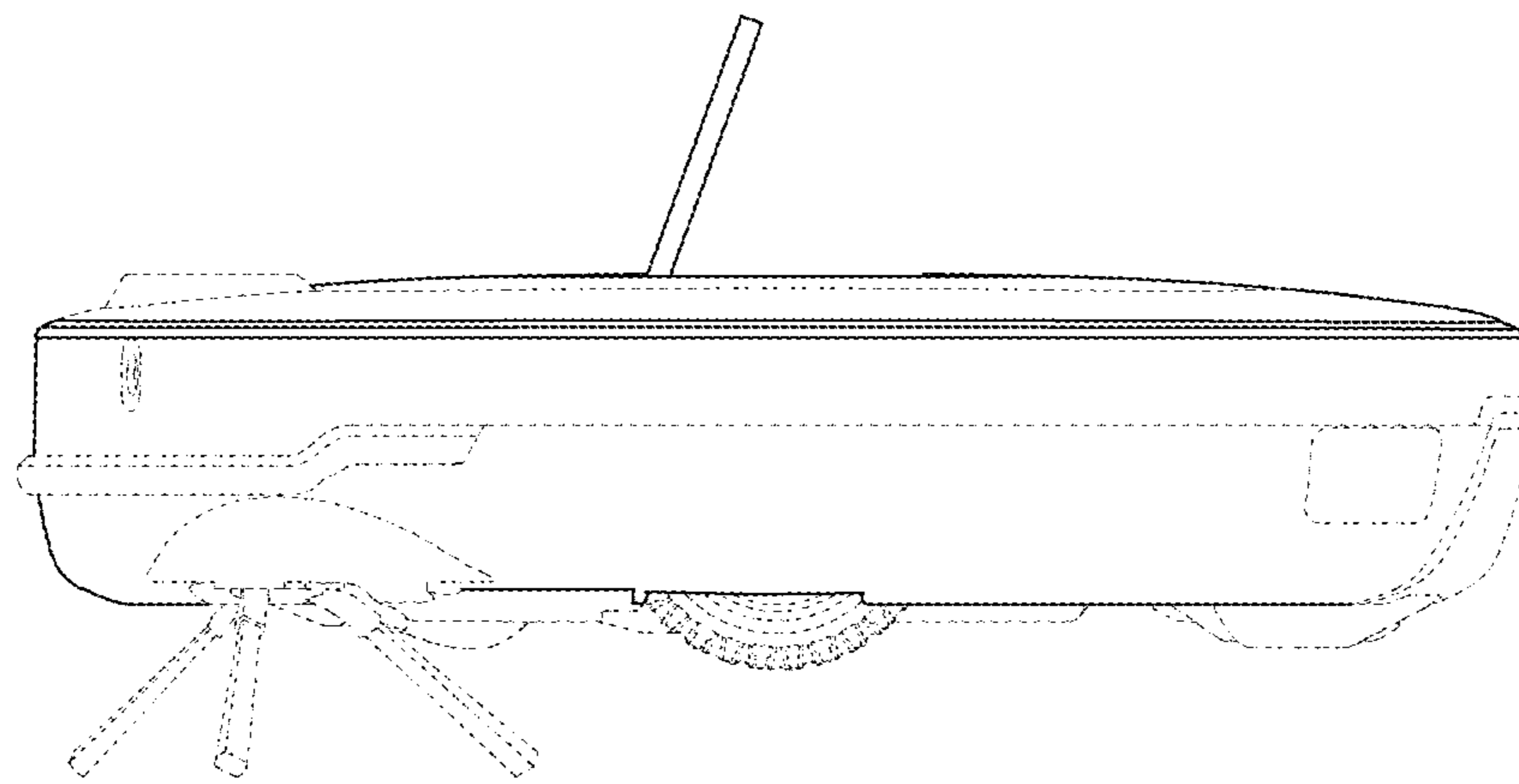


FIG. 6

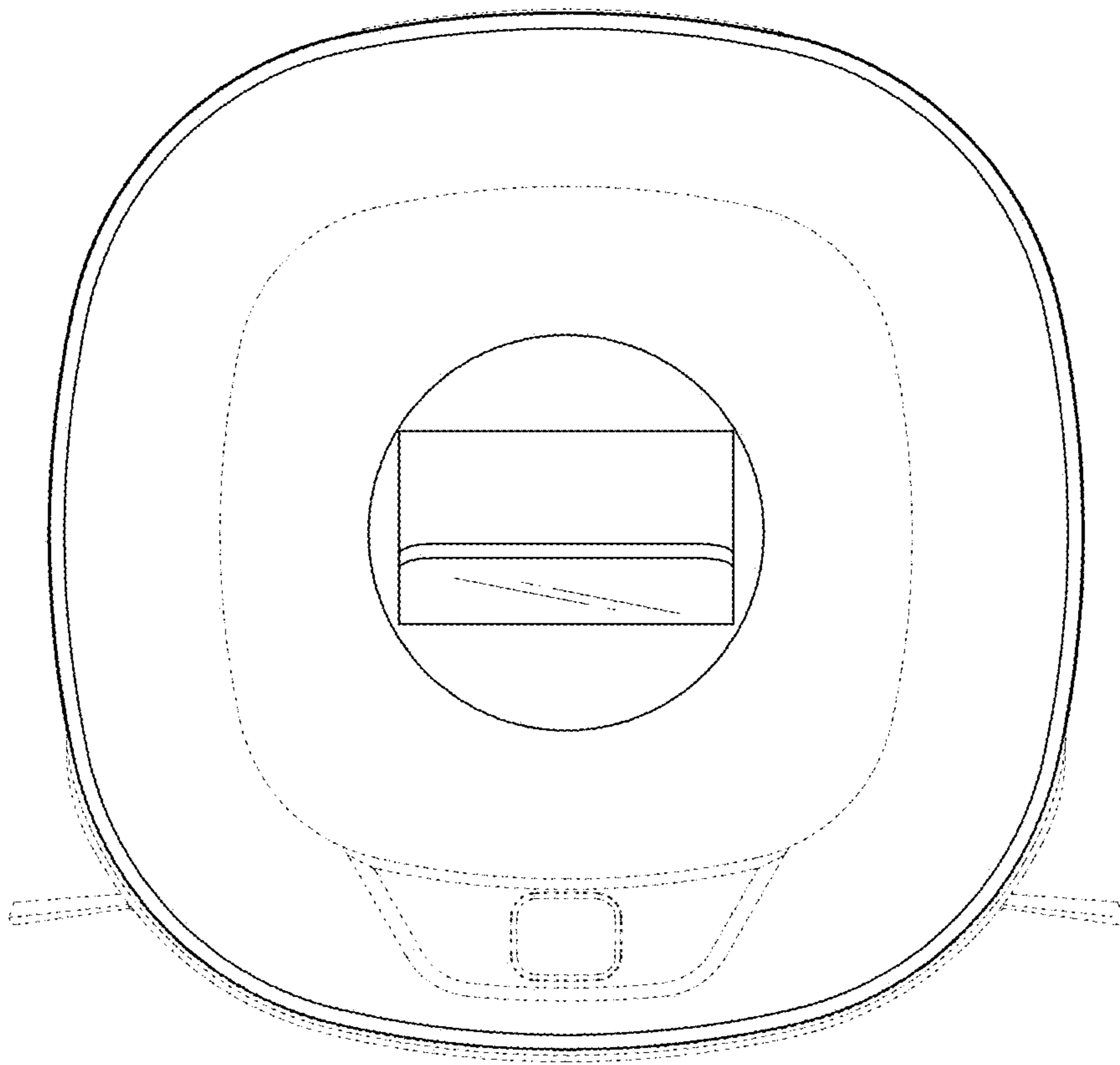


FIG. 7

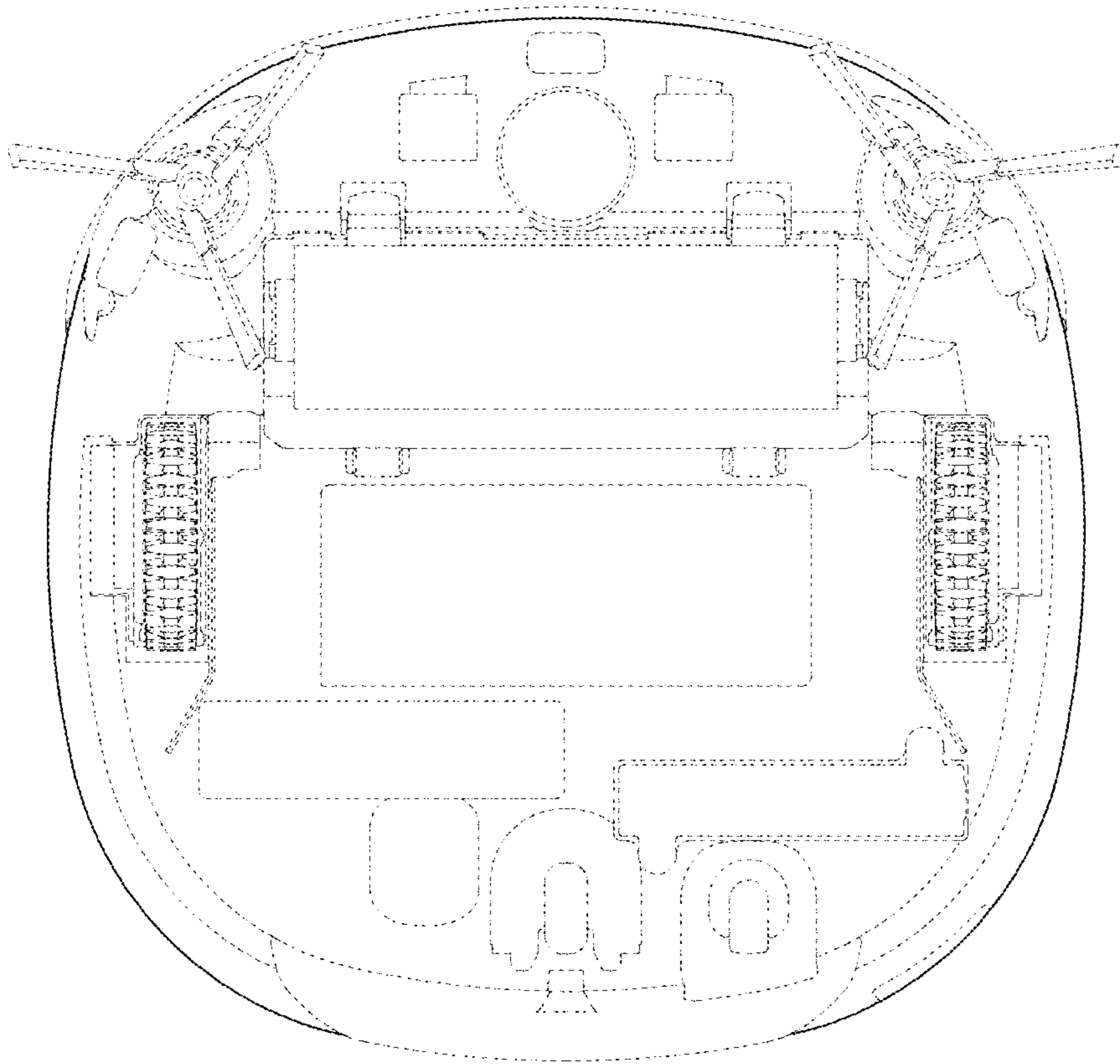


FIG. 8

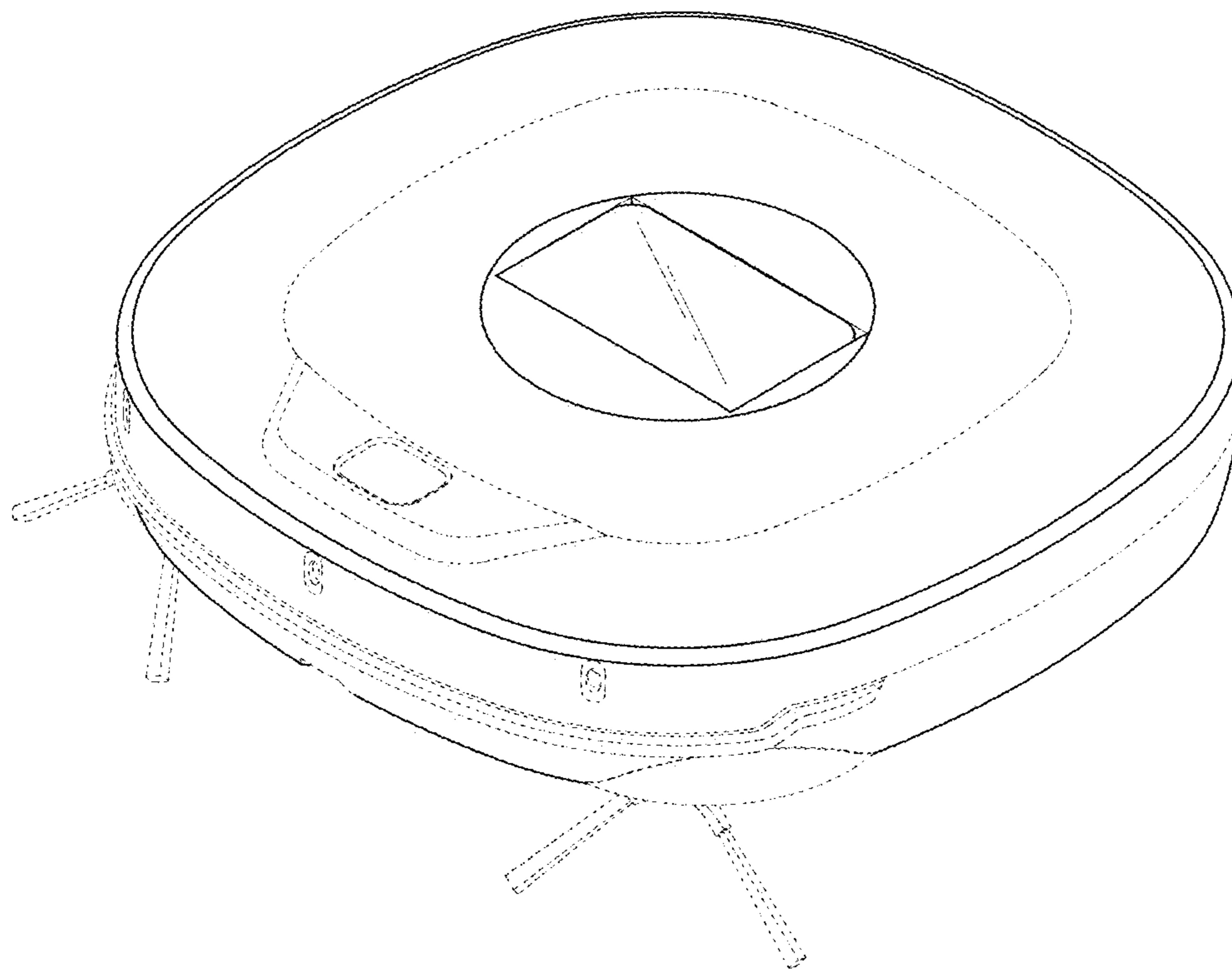


FIG. 9

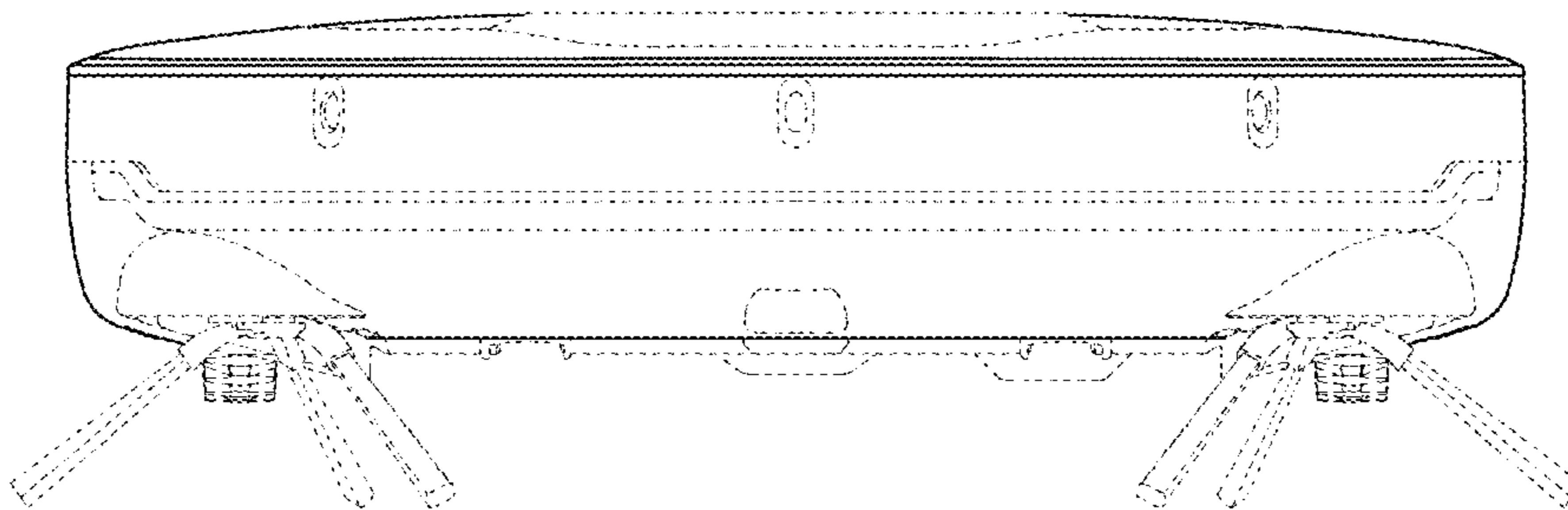


FIG. 10

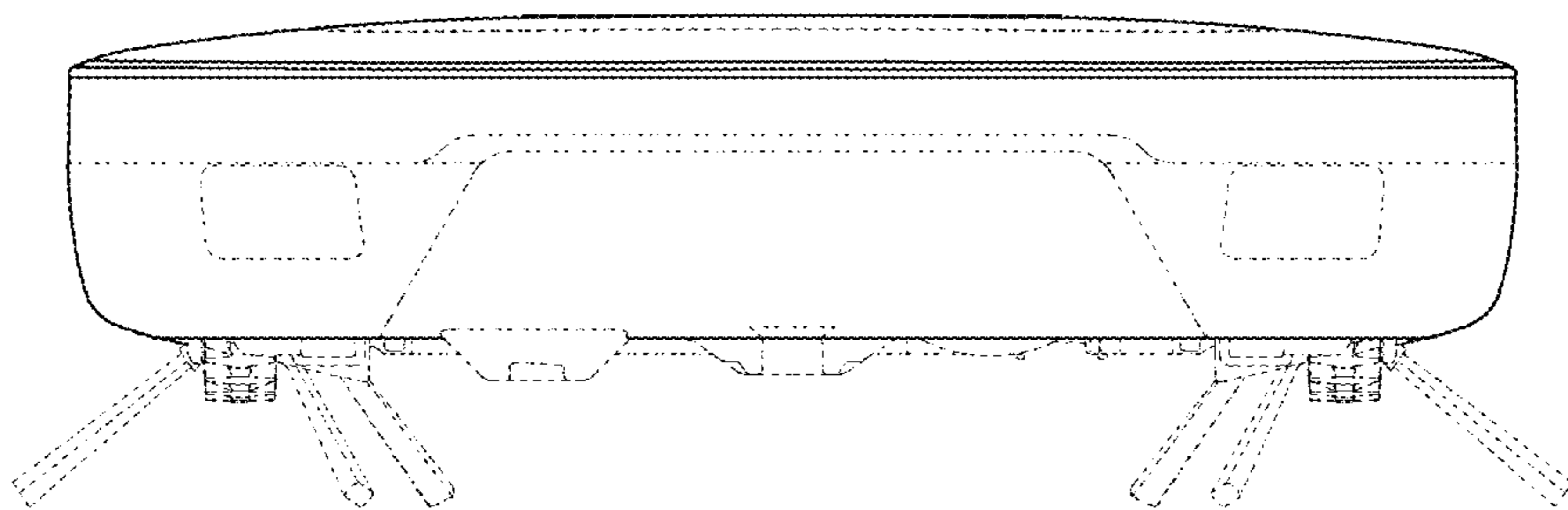


FIG. 11

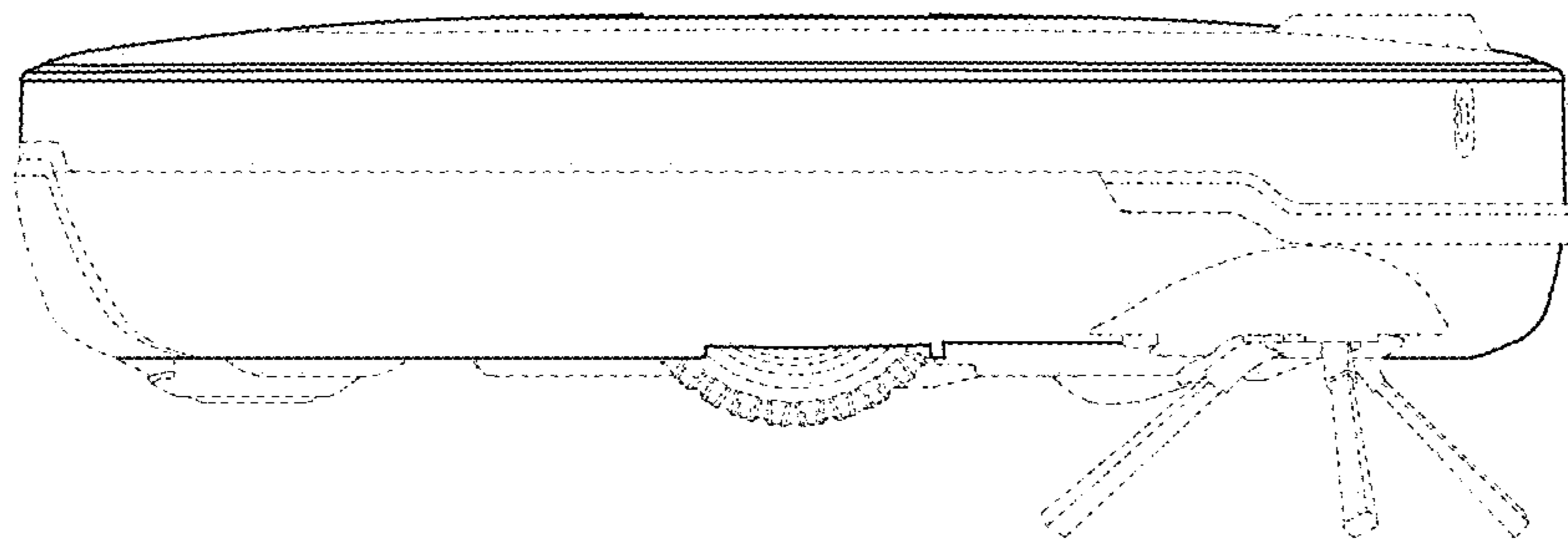


FIG. 12

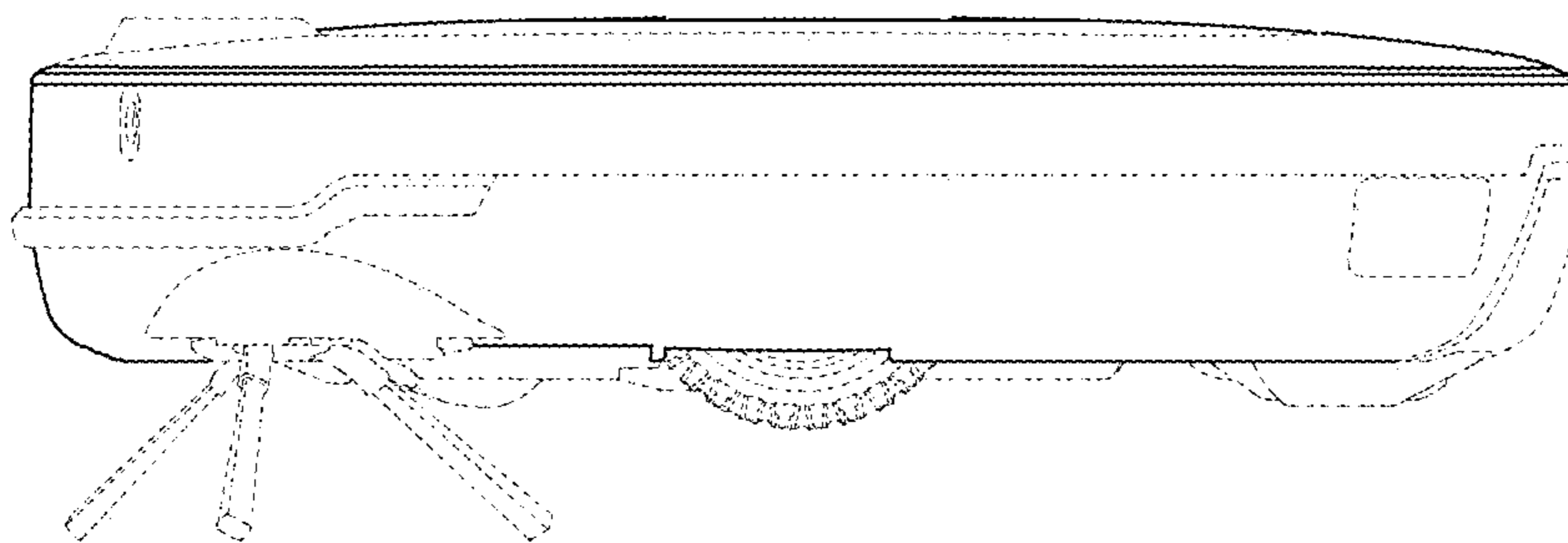


FIG. 13

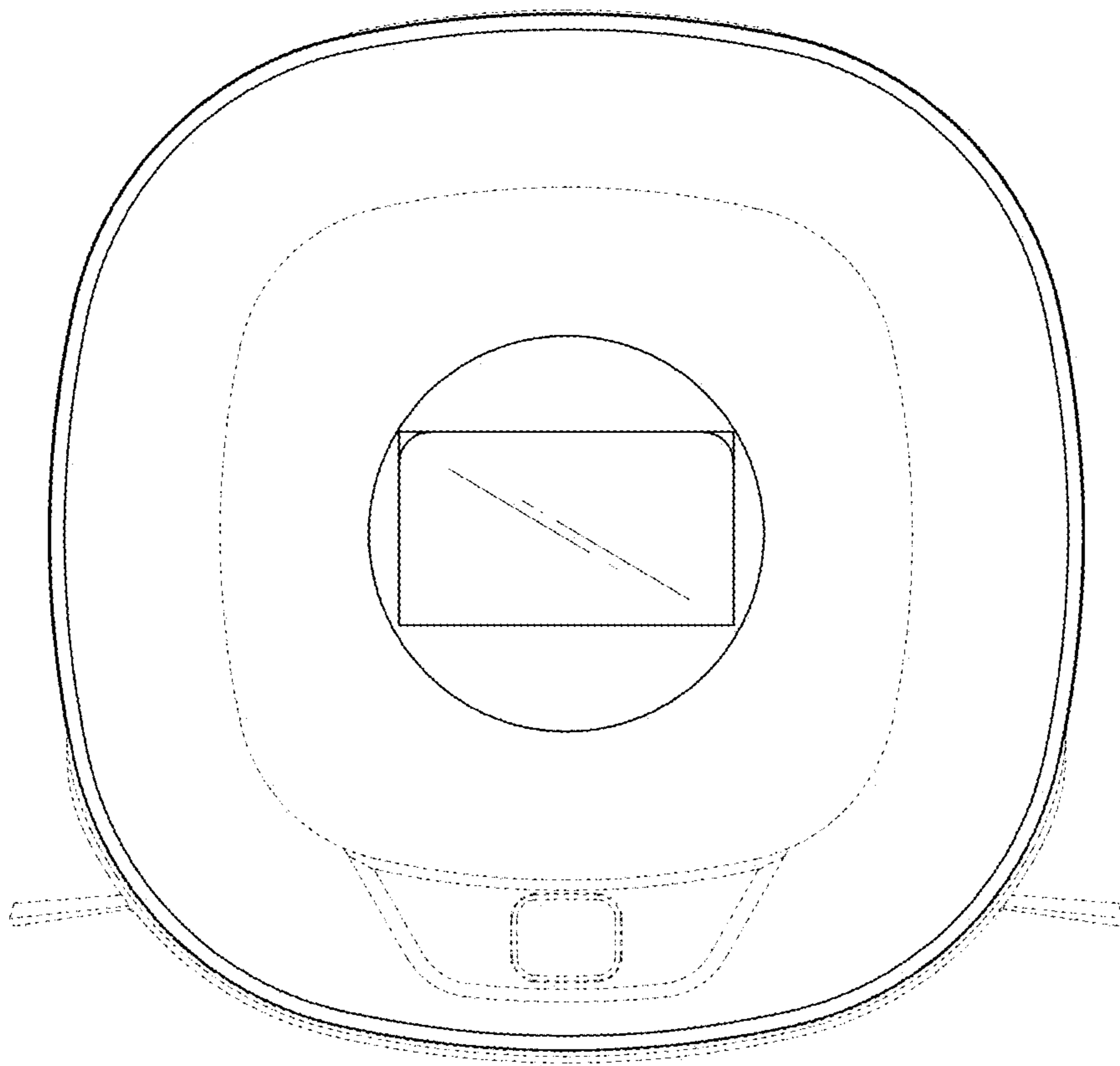


FIG. 14

