



US00D936313S

(12) **United States Design Patent**
Lan et al.

(10) **Patent No.:** **US D936,313 S**

(45) **Date of Patent:** **** Nov. 16, 2021**

(54) **DUST EXTRACTOR**

(71) Applicant: **Black & Decker Inc.**, New Britain, CT (US)

(72) Inventors: **Xiubao Lan**, Jiangsu (CN); **Cheng Gang Gu**, Suzhou Jiang Su (CN)

(73) Assignee: **Black & Decker Inc.**, New Britain, CT (US)

(**) Term: **15 Years**

(21) Appl. No.: **29/667,590**

(22) Filed: **Oct. 23, 2018**

(30) **Foreign Application Priority Data**

Apr. 27, 2018 (EM) 005250834

(51) **LOC (13) Cl.** **15-05**

(52) **U.S. Cl.**
USPC **D32/21**

(58) **Field of Classification Search**
USPC D32/15, 19, 20, 30, 31, 21, 23
CPC A47L 2201/00; A47L 11/24; A47L 11/28;
A47L 11/00; A47L 11/30; A47L 11/40;
A47L 7/00; A47L 9/00; A47L 7/0095;
B23Q 11/00; B01D 46/42; B01D
46/0005; B01D 46/4272; B24B 55/06;
B25D 17/22

See application file for complete search history.

(56) **References Cited**

U.S. PATENT DOCUMENTS

D326,544 S * 5/1992 Yamamoto D32/15
D481,497 S * 10/2003 Malmqvist D3/216
D481,839 S * 11/2003 Almquist D32/15

D499,946 S * 12/2004 Stirm B23Q 11/0046
D8/70
D519,693 S * 4/2006 Ricker D32/15
D559,481 S * 1/2008 Renner D32/15
D560,046 S * 1/2008 Renner D32/15
D567,458 S * 4/2008 Jiang D32/15
D630,390 S * 1/2011 Meyer D32/15
D660,525 S * 5/2012 Alexander D32/15
D687,195 S * 7/2013 Sell D32/21
8,800,682 B2 * 8/2014 Walker B24B 23/04
173/198
D739,099 S * 9/2015 Tatic D32/15
D739,100 S * 9/2015 Tatic D32/16
9,304,223 B2 * 4/2016 DeMaira G01V 3/08
9,883,634 B2 * 2/2018 Romito A01G 20/47
D910,253 S * 2/2021 Wrobleski D32/21
2019/0193225 A1 * 6/2019 Beeson B23B 45/003
2019/0223669 A1 7/2019 Lauer et al.
2020/0156199 A1 * 5/2020 Richards A47L 5/24
2020/0282353 A1 * 9/2020 Takano B01D 46/02

* cited by examiner

Primary Examiner — Kimberly Barnes

(74) *Attorney, Agent, or Firm* — Amir R. Rohani

(57) **CLAIM**

The ornamental design for a dust extractor, as shown and described.

DESCRIPTION

FIG. 1 is a front perspective view of a dust extractor showing our new design;

FIG. 2 is a left-side view thereof;

FIG. 3 is a right-side view thereof;

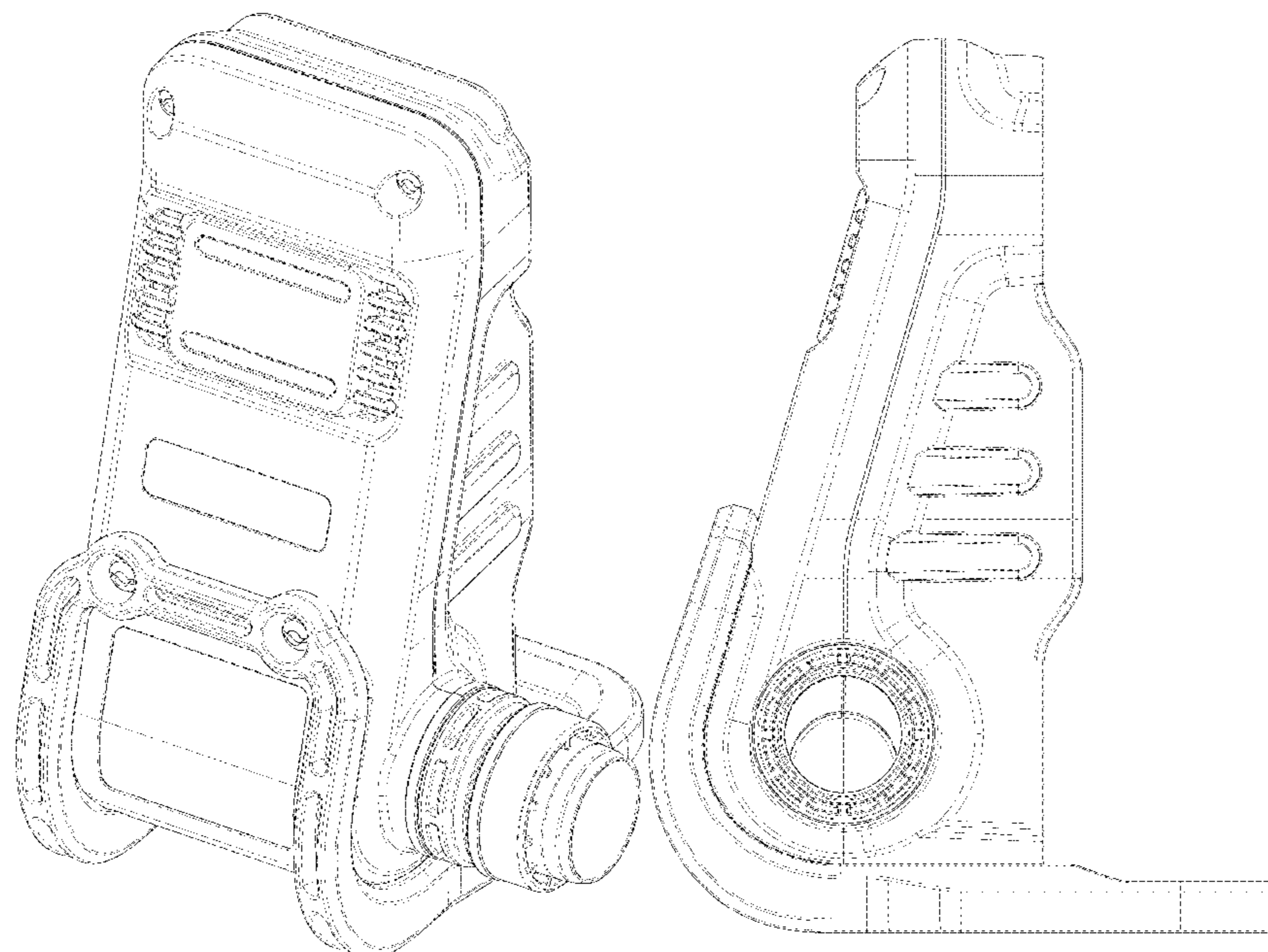
FIG. 4 is a front view thereof;

FIG. 5 is a rear view thereof;

FIG. 6 is a top view thereof; and,

FIG. 7 is a bottom view thereof.

1 Claim, 7 Drawing Sheets



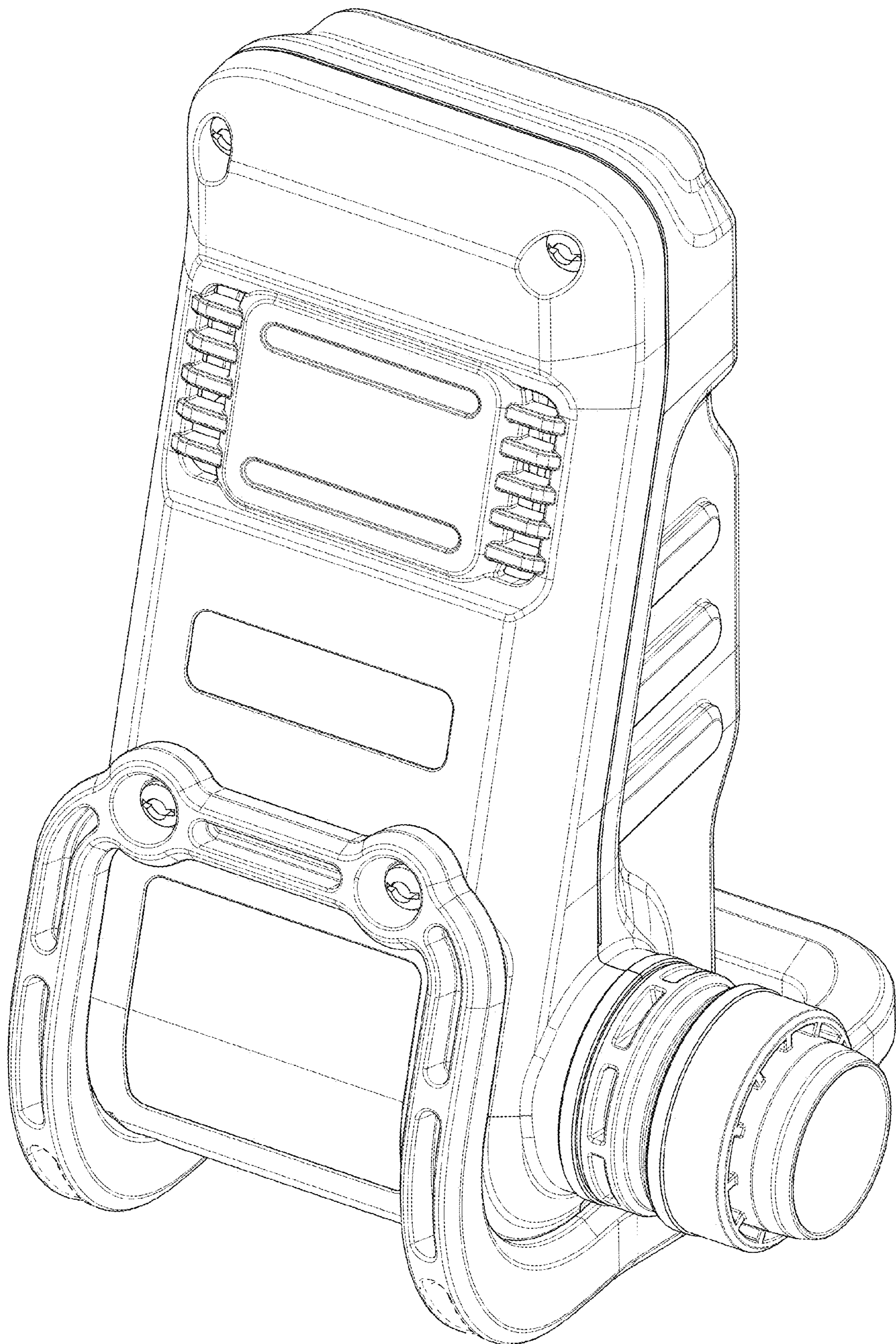


FIG. 1

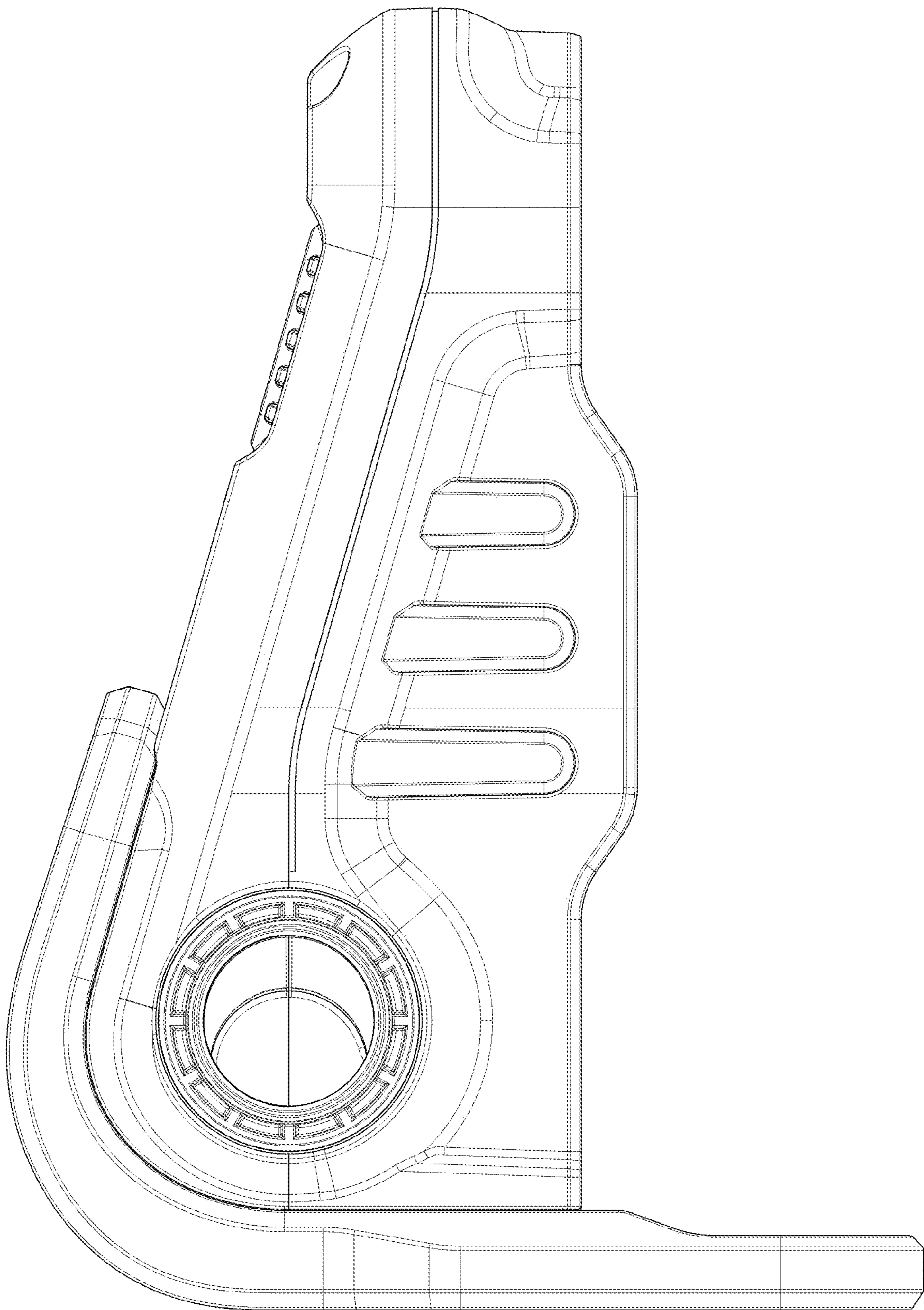


FIG. 2

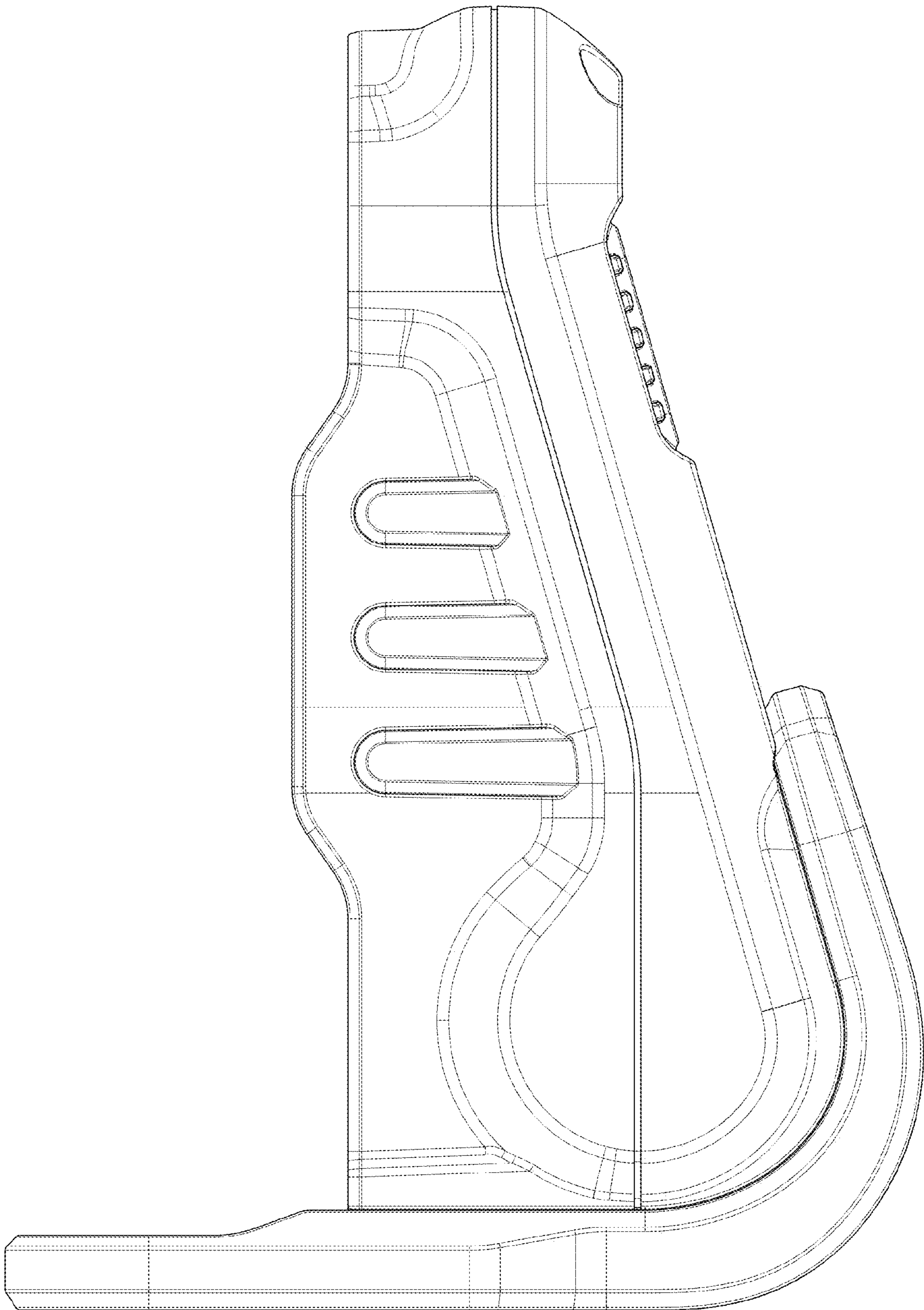


FIG. 3

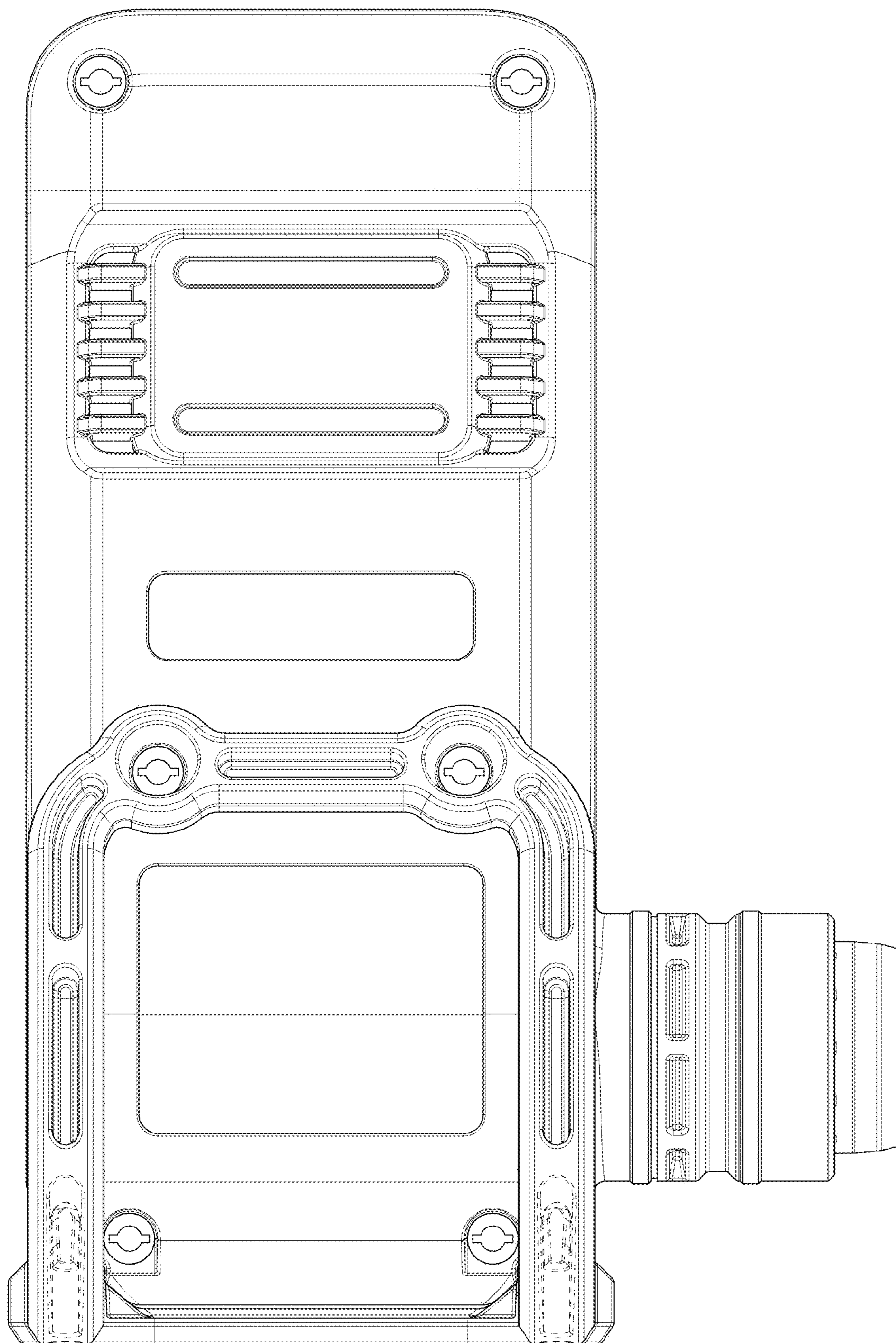


FIG. 4

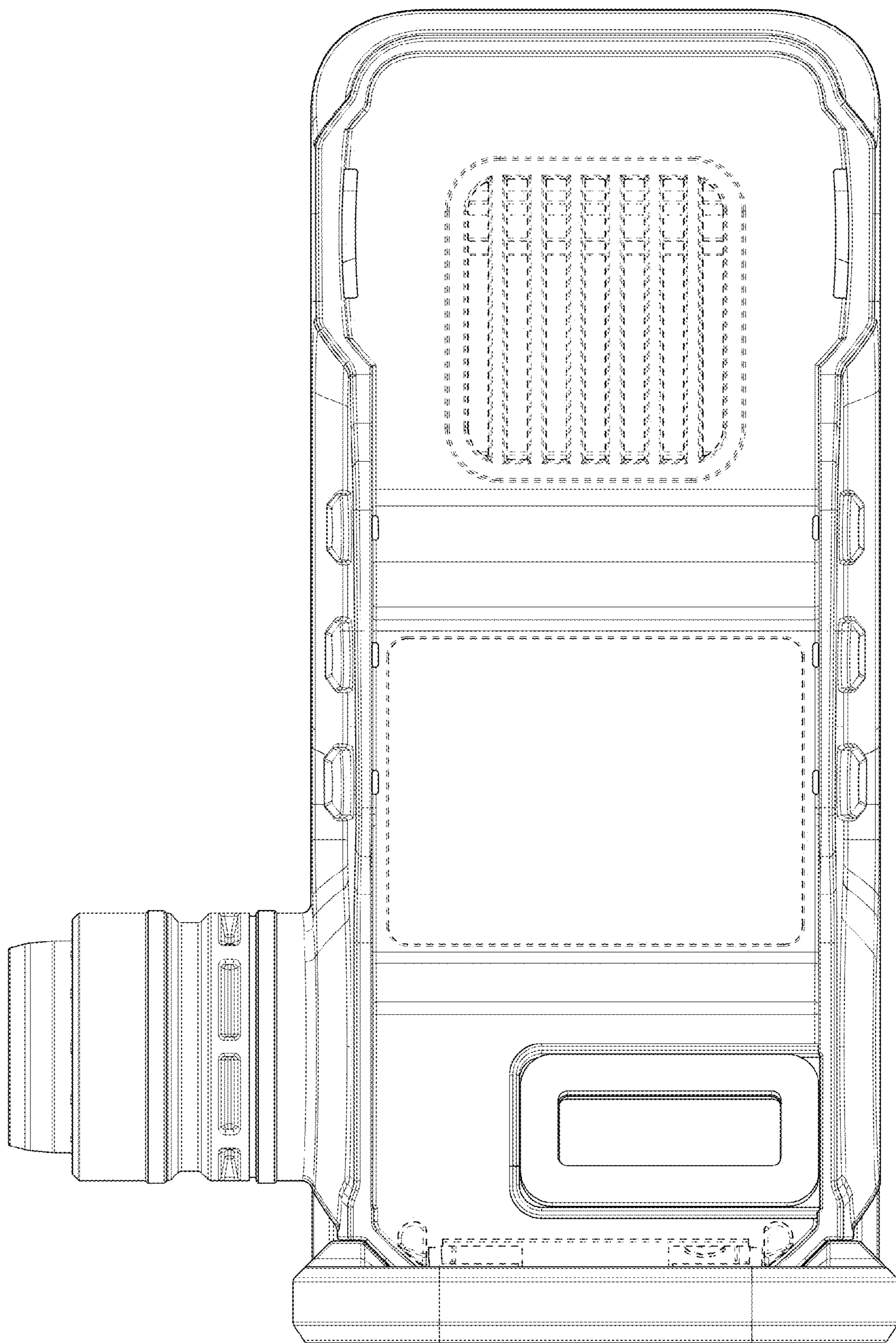


FIG. 5

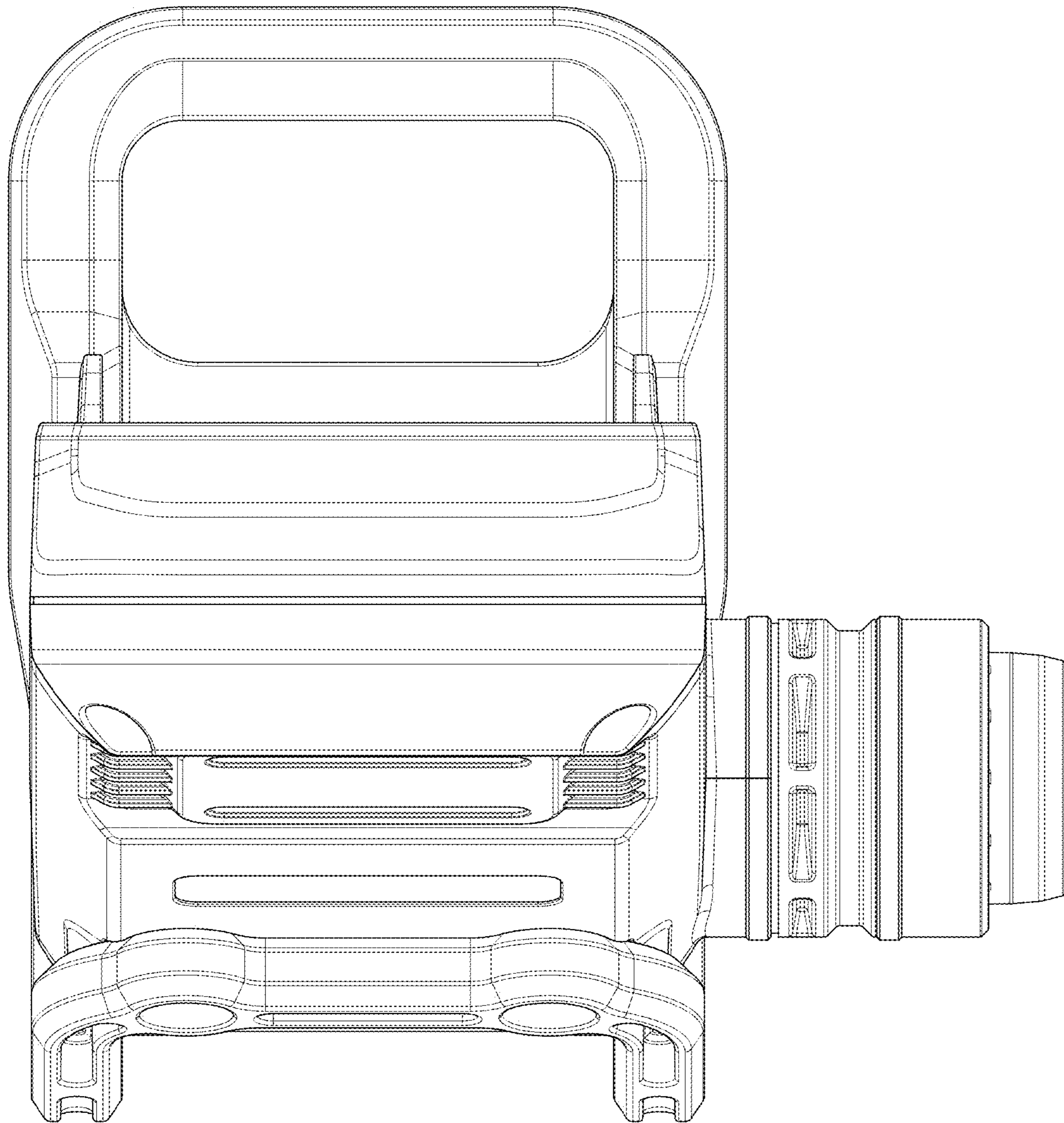


FIG. 6

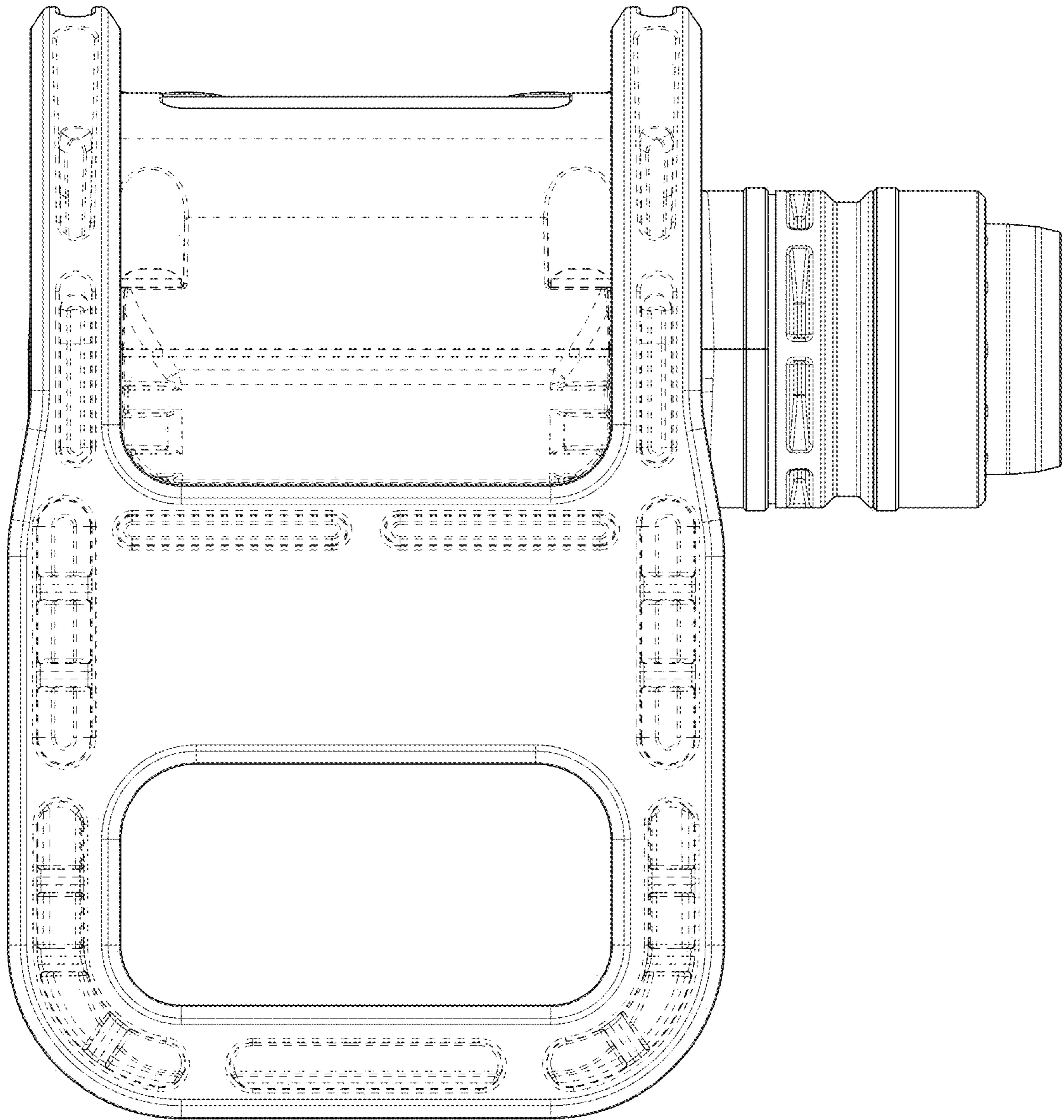


FIG. 7