



US00D936311S

(12) **United States Design Patent**
Liu

(10) **Patent No.:** **US D936,311 S**

(45) **Date of Patent:** **** Nov. 16, 2021**

(54) **VACUUM CLEANER**

(71) Applicant: **SUZHOU AZA CLEAN ELECTRIC TECHNOLOGY CO., LTD.**, Suzhou (CN)

(72) Inventor: **Fujian Liu**, Suzhou (CN)

(73) Assignee: **SUZHOU AZA CLEAN ELECTRIC TECHNOLOGY CO., LTD.**, Suzhou (CN)

(**) Term: **15 Years**

(21) Appl. No.: **29/741,801**

(22) Filed: **Jul. 15, 2020**

(51) **LOC (13) Cl.** **15-05**

(52) **U.S. Cl.**
USPC **D32/18**

(58) **Field of Classification Search**
USPC D32/17-25, 31-34
CPC A47L 7/00; A47L 9/02; A47L 9/24; A47L 5/24; A47L 5/26; A47L 5/28; A47L 9/102; A47L 9/1608; A47L 9/1683; A47L 9/2857; A47L 5/30; A47L 9/00; A47L 9/04; A47L 9/0422; A47L 9/0461; A47L 9/06; A47L 9/0488; A47L 11/00; A47L 11/20; A47L 11/22; A47L 11/24; A47L 11/32; A47L 11/302; A47L 11/40

See application file for complete search history.

(56) **References Cited**

U.S. PATENT DOCUMENTS

- 8,156,609 B2 * 4/2012 Milne B04C 5/08 15/344
- D731,134 S * 6/2015 Dyson D32/31
- D731,720 S * 6/2015 Gidwell D32/18
- D745,231 S * 12/2015 Niedzwecki D32/18
- D747,571 S * 1/2016 Dyson D32/18
- 9,451,853 B2 * 9/2016 Conrad A47L 9/0027
- D818,223 S * 5/2018 Nam D32/18

- D821,044 S * 6/2018 Cao D32/18
- D826,493 S * 8/2018 Nam D32/18
- D827,955 S * 9/2018 Palladino D32/18
- D844,913 S * 4/2019 Palladino D32/18
- D872,394 S * 1/2020 Yang D32/18
- D872,398 S * 1/2020 Yang D32/31
- D874,757 S * 2/2020 Chei D32/18
- D874,758 S * 2/2020 Schroeter D32/18
- D879,395 S * 3/2020 Pearce D32/18
- D905,919 S * 12/2020 Niedzwecki D32/34
- D908,990 S * 1/2021 Chen D32/22
- D915,697 S * 4/2021 Kim B01D 46/0023 D32/18
- D920,609 S * 5/2021 Ma D32/21

(Continued)

OTHER PUBLICATIONS

The 5 Best Cordless Vacuum Deals on Amazon This Month (on-line), dated Aug. 8, 2021. Retrieved from Internet Sep. 2, 2021, URL: <https://people.com/home/best-cordless-vacuum-deals-amazon-august-2021/> (2 pages) (Year: 2021).*

Primary Examiner — Kimberly Barnes

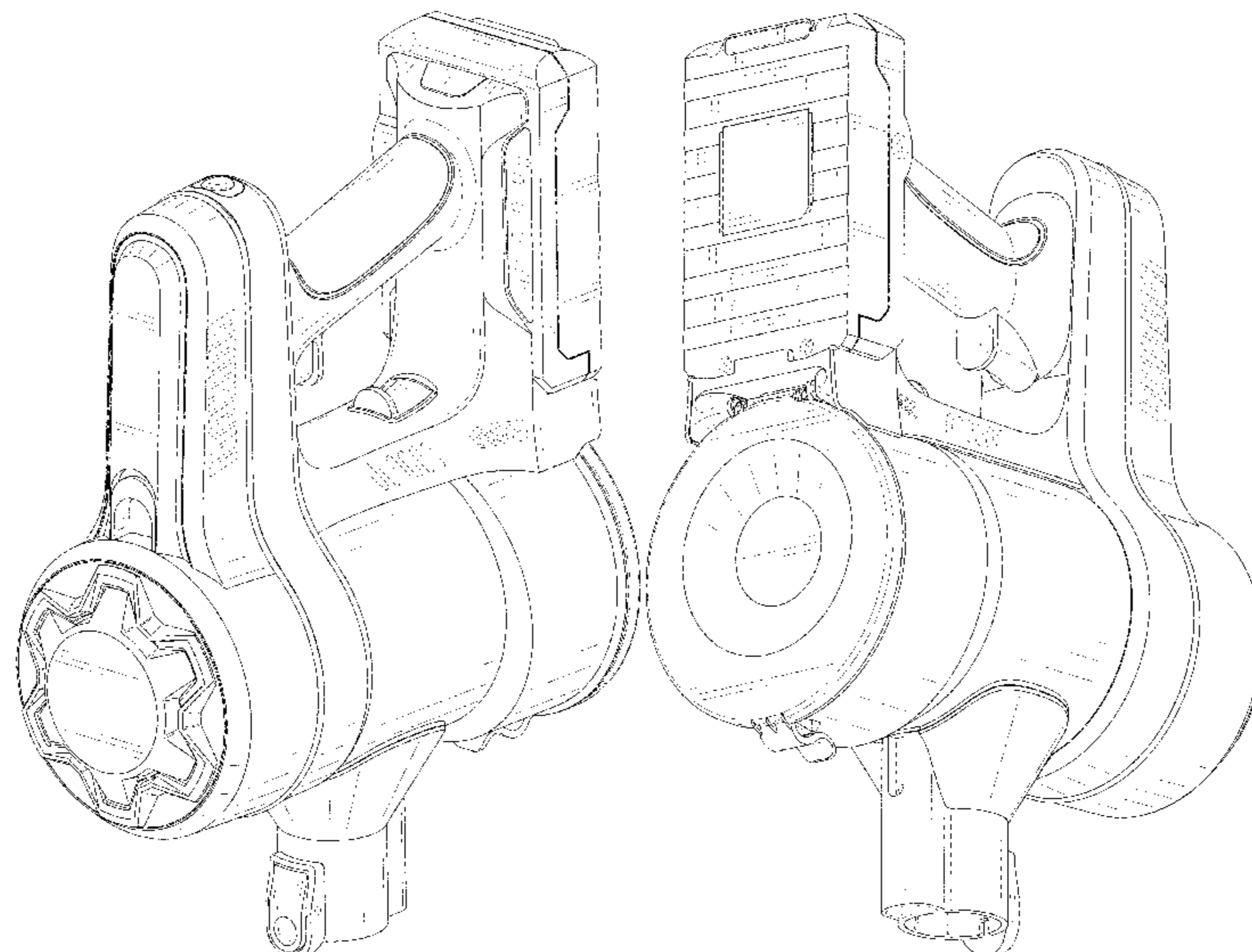
(57) **CLAIM**

The ornamental design for a vacuum cleaner, as shown and described.

DESCRIPTION

FIG. 1 is a perspective view of a vacuum cleaner showing my new design;
FIG. 2 is another perspective view thereof;
FIG. 3 is a front elevational view thereof;
FIG. 4 is a rear elevational view thereof;
FIG. 5 is a left side elevational view thereof;
FIG. 6 is a right side elevational view thereof;
FIG. 7 is a top plan view thereof; and,
FIG. 8 is a bottom plan view thereof.
The broken lines in the drawings depict portions of the vacuum cleaner that form no part of the claimed design.

1 Claim, 8 Drawing Sheets



(56)

References Cited

U.S. PATENT DOCUMENTS

D927,103 S * 8/2021 Zou D32/18
2012/0079671 A1* 4/2012 Stickney A47L 5/28
15/344
2017/0340180 A1* 11/2017 Isley A46B 13/00
2019/0029484 A1* 1/2019 Zhang A47L 9/244

* cited by examiner

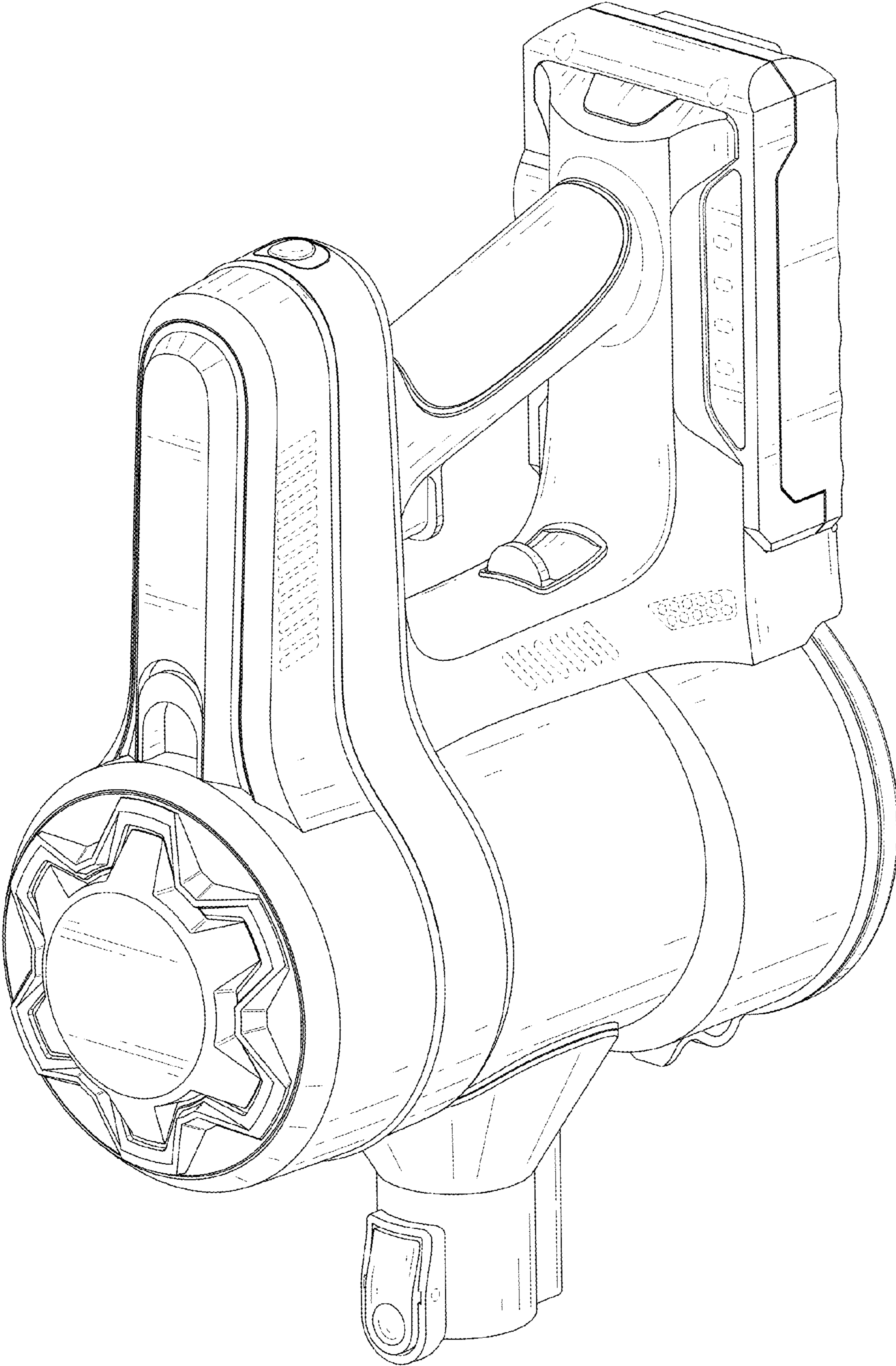


FIG. 1

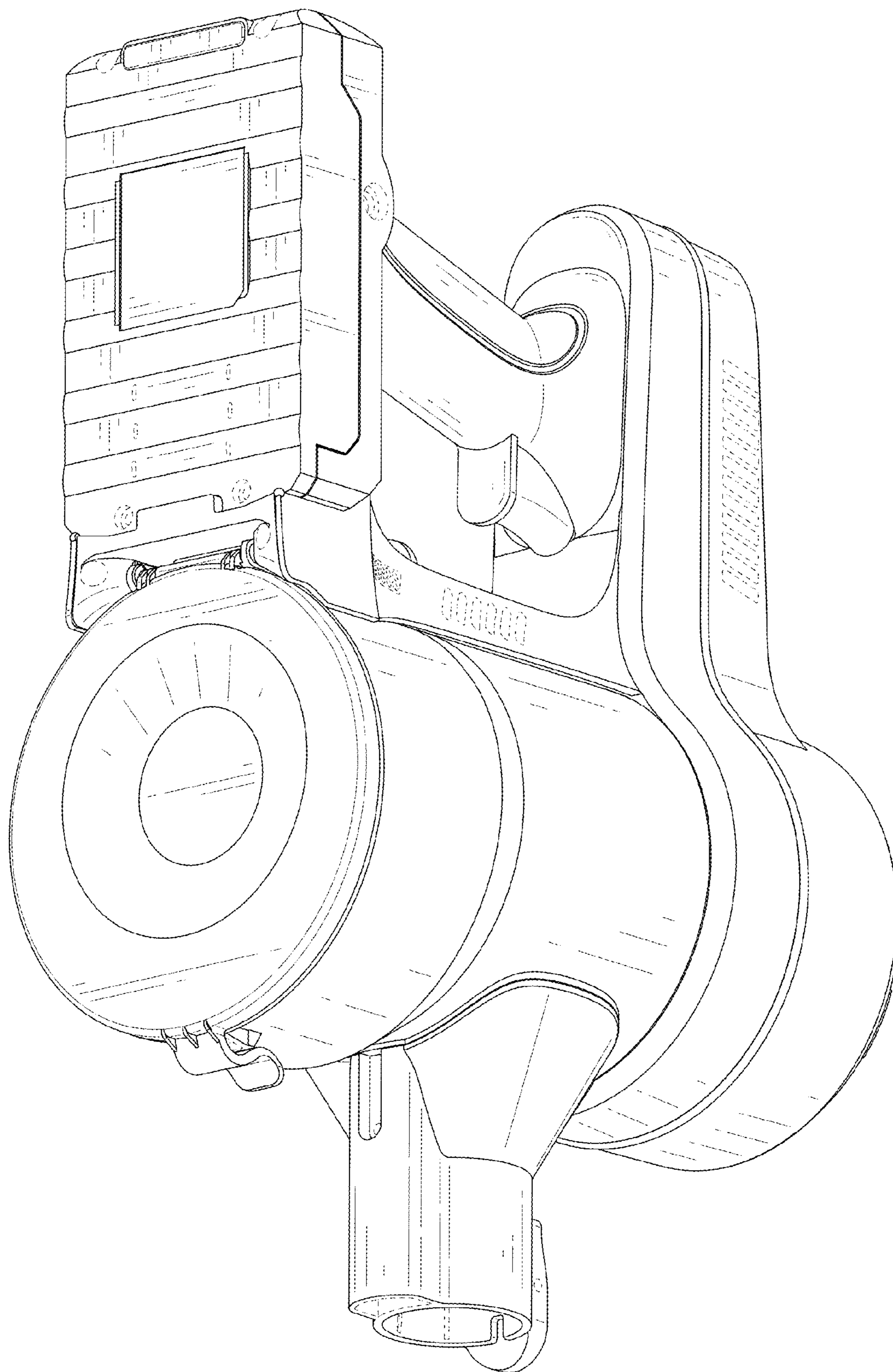


FIG. 2

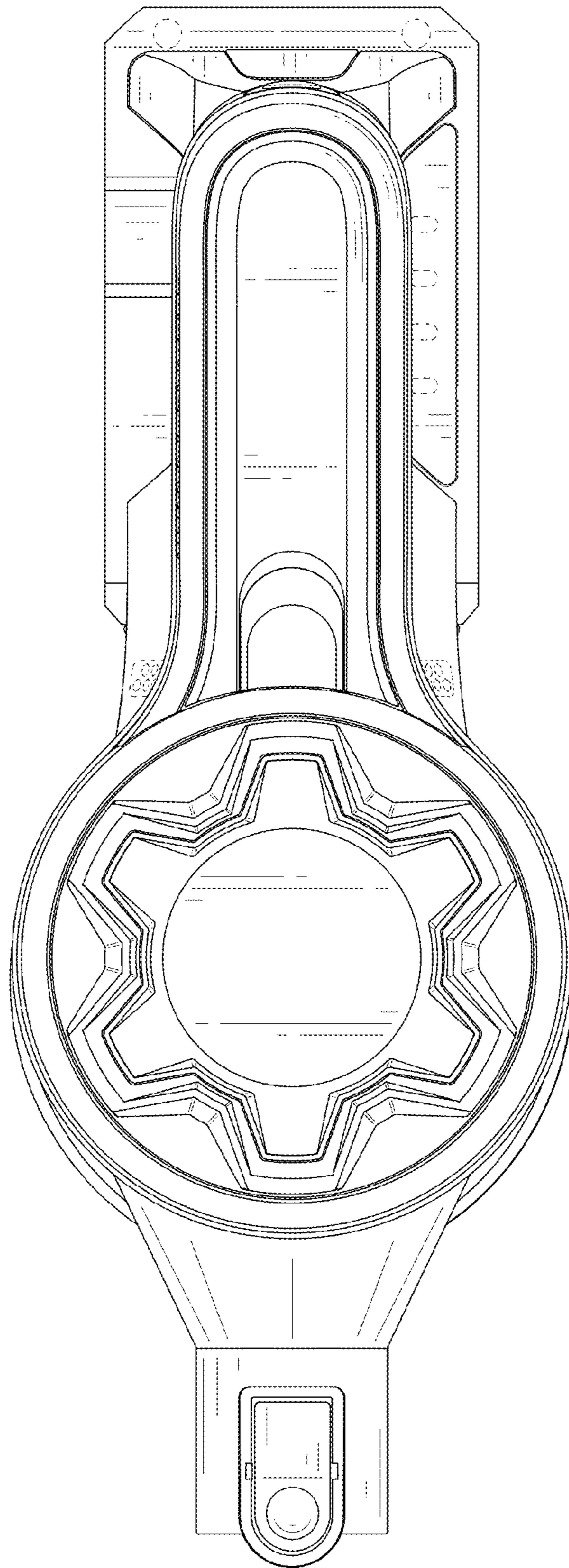


FIG. 3

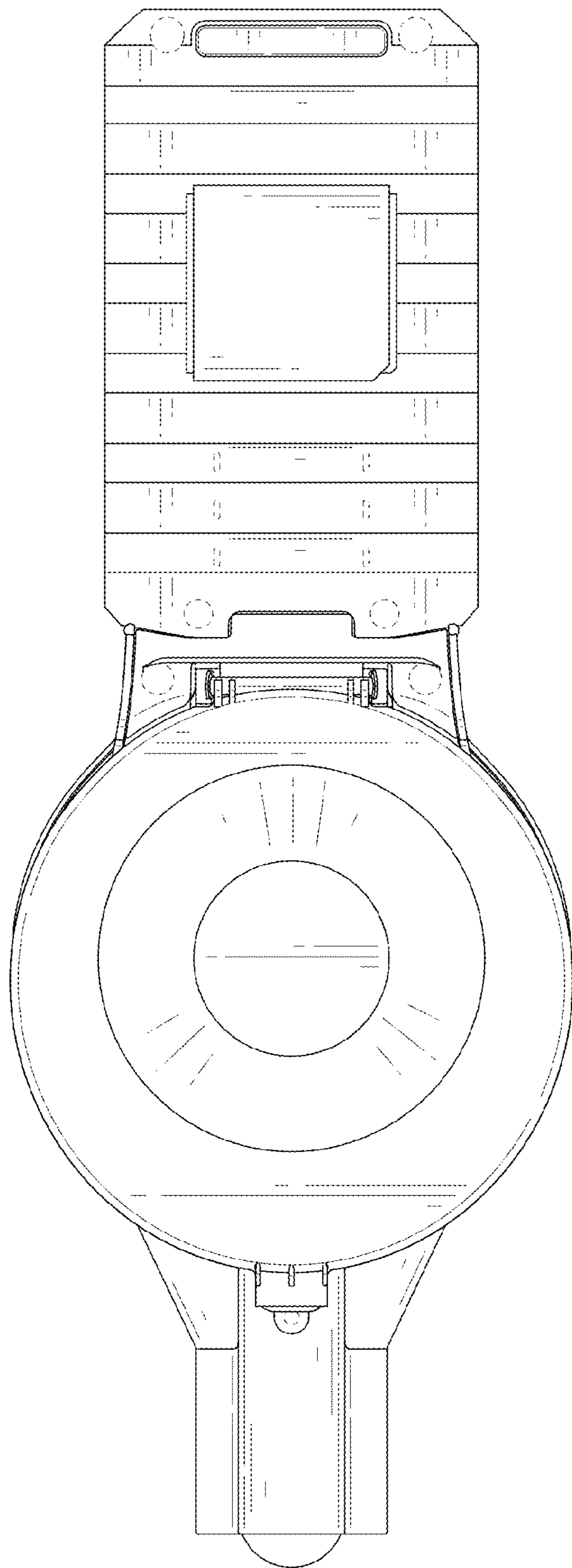


FIG. 4

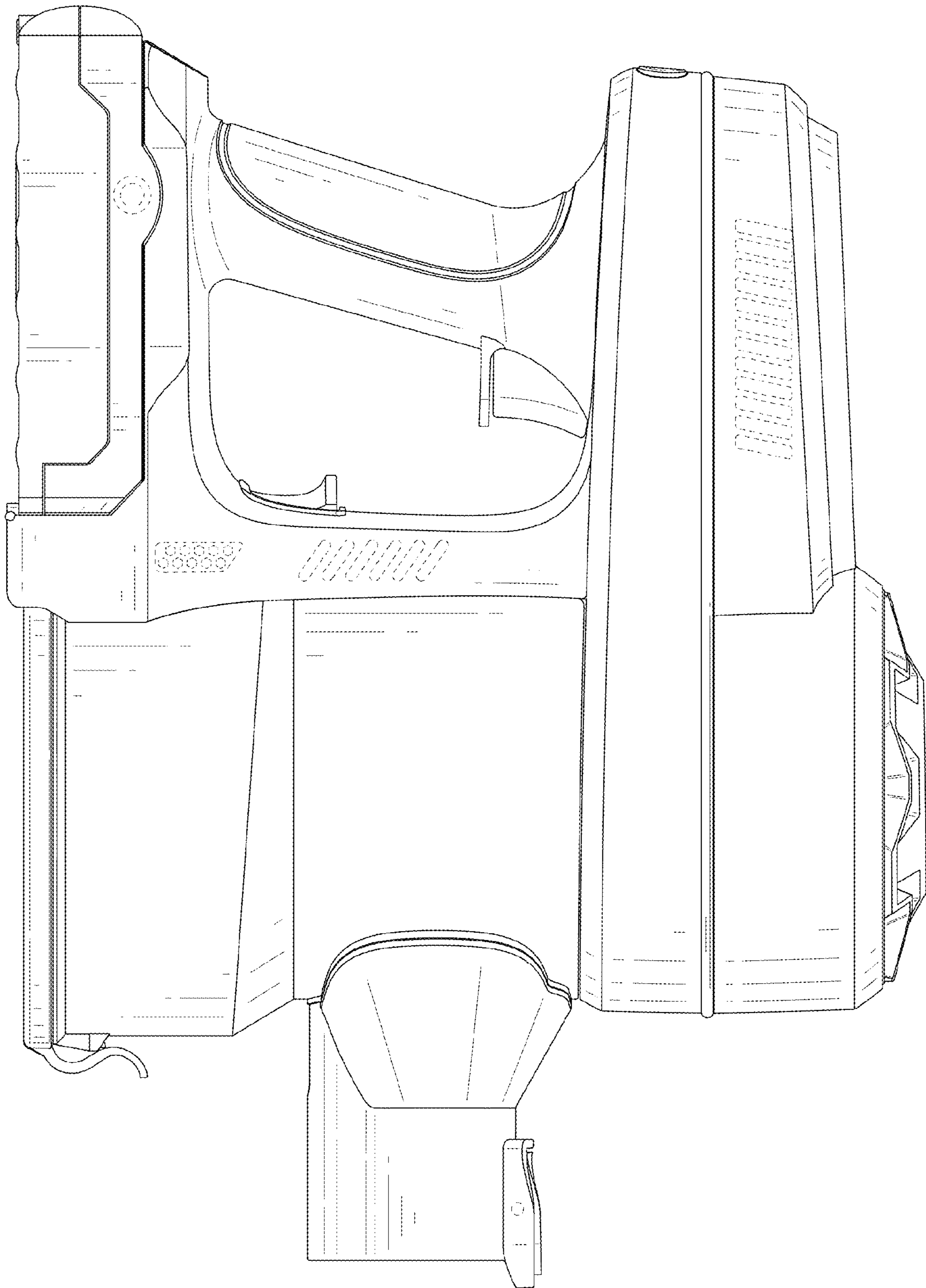


FIG. 5

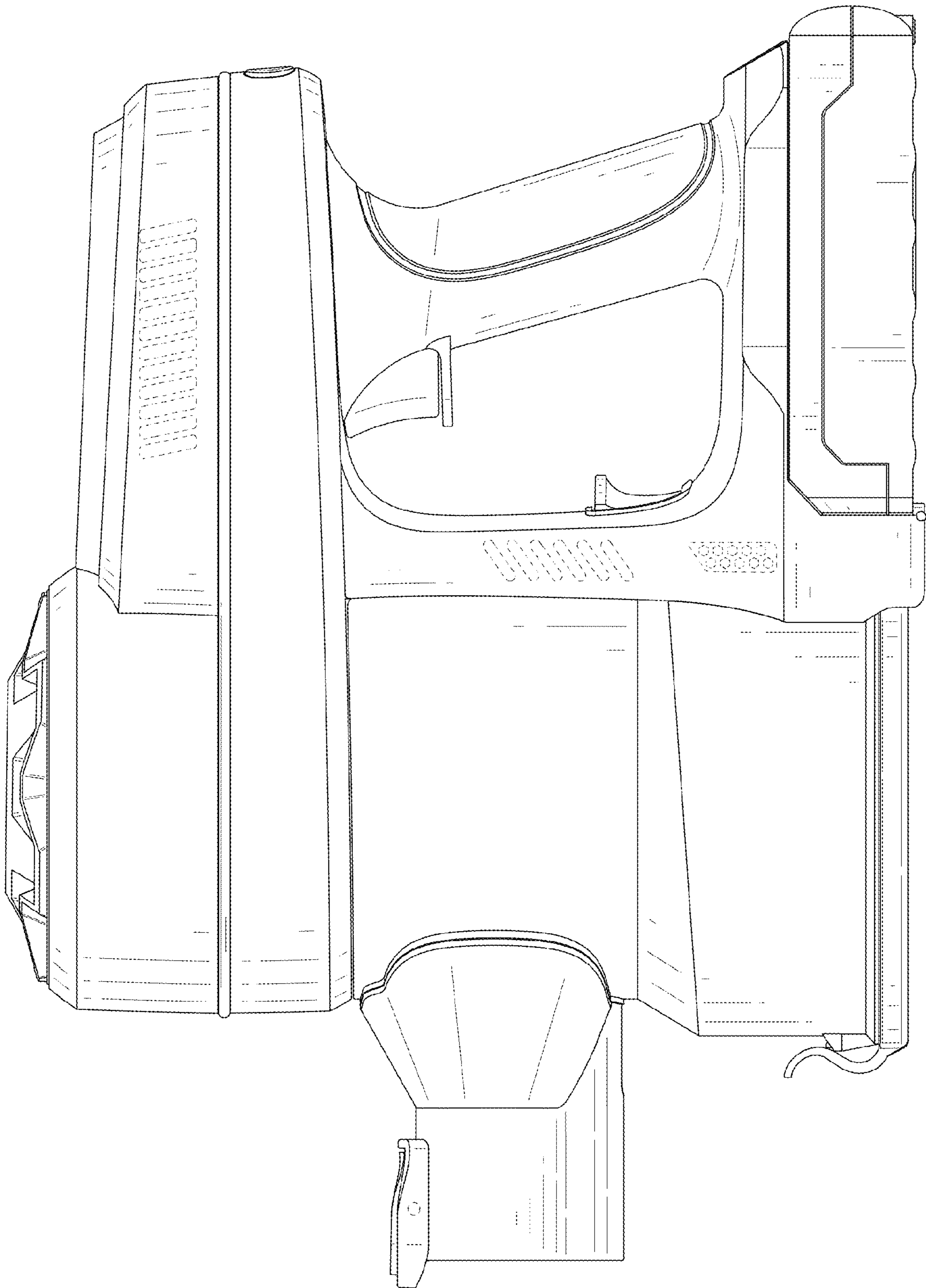


FIG. 6

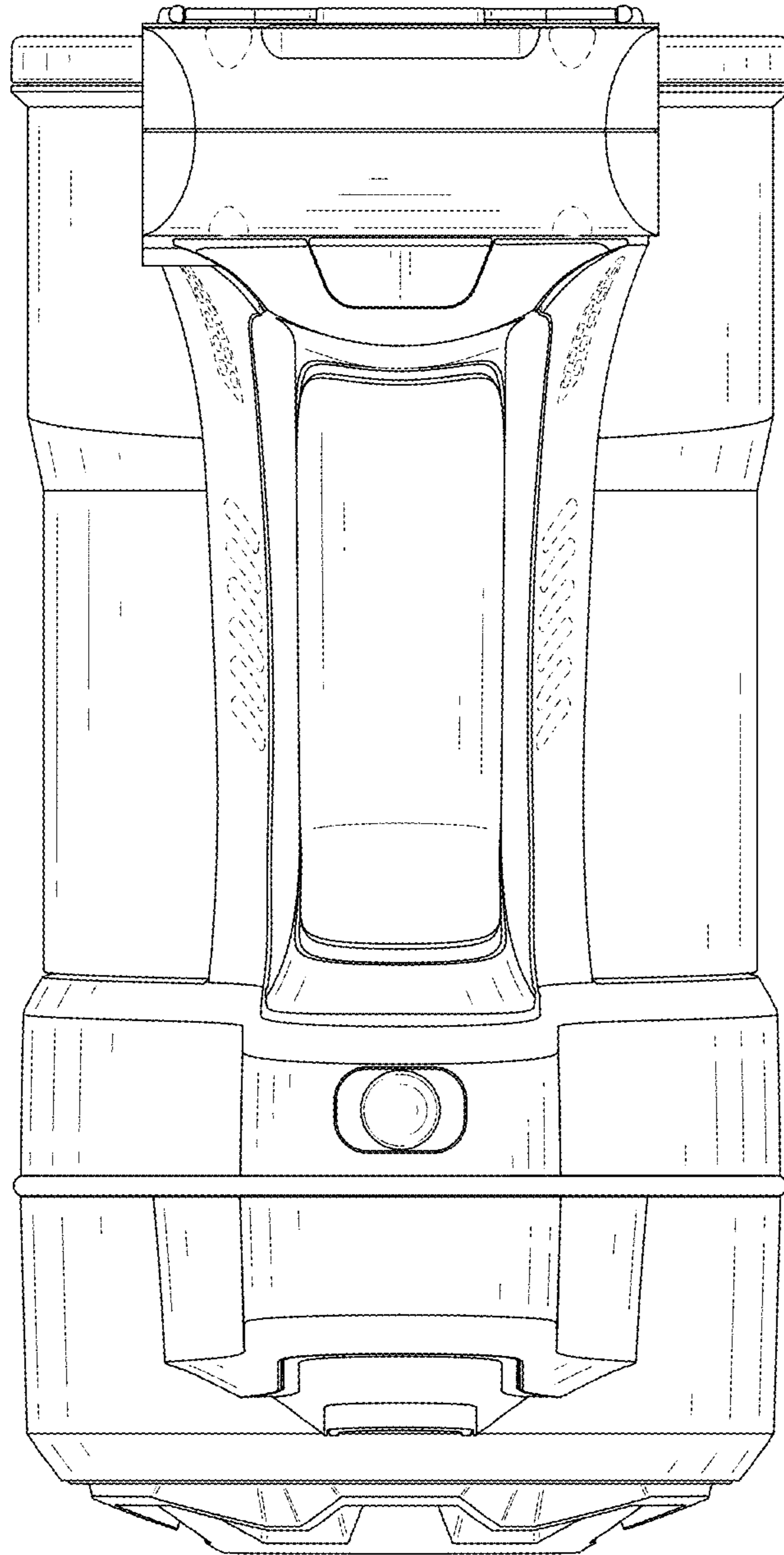


FIG. 7

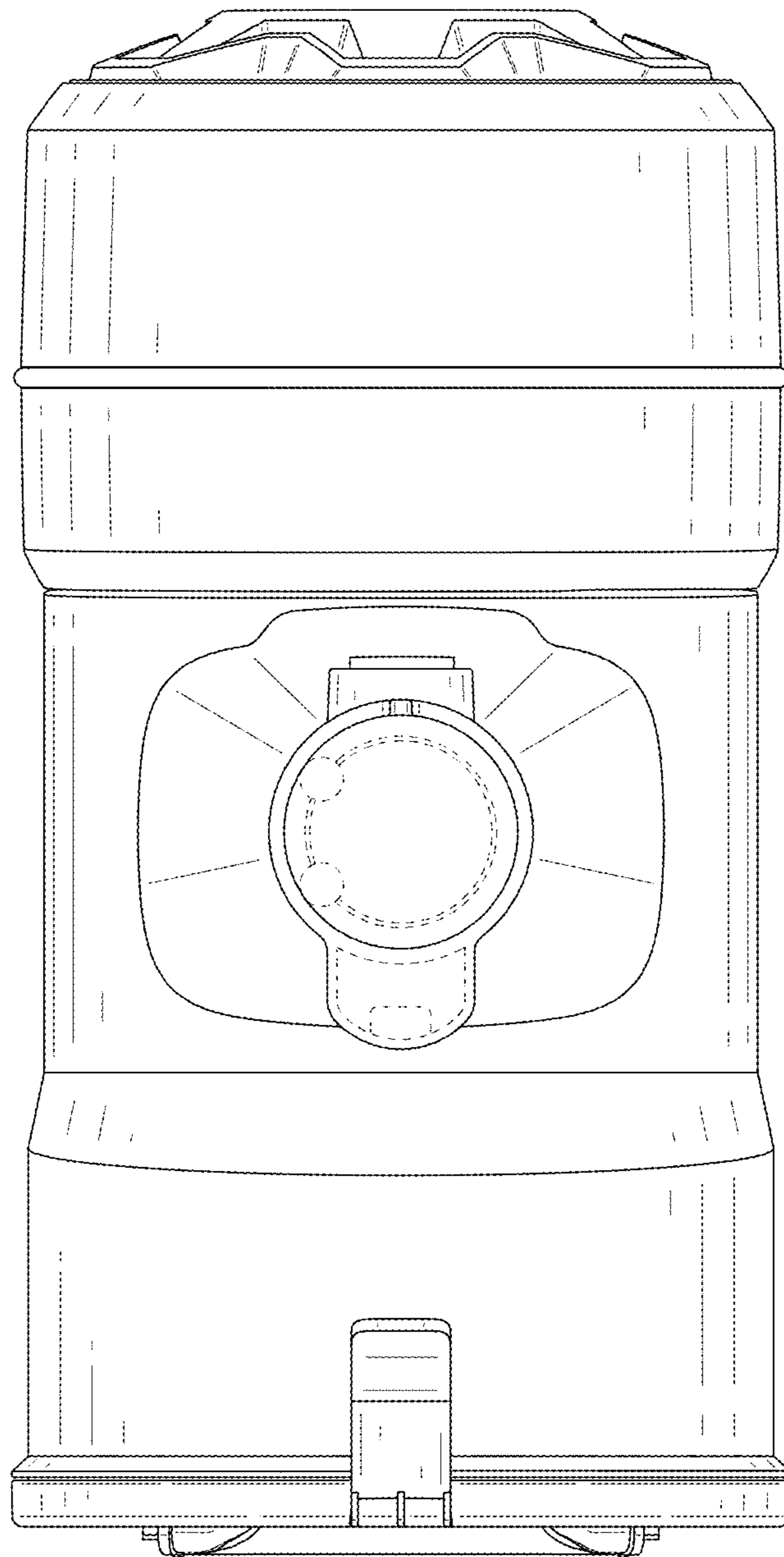


FIG. 8