



US00D936310S

(12) **United States Design Patent**
Zou

(10) **Patent No.:** **US D936,310 S**
(45) **Date of Patent:** **** Nov. 16, 2021**

- (54) **VACUUM CLEANER**
- (71) Applicant: **FINE DRAGON TECHNOLOGY LIMITED**, Guangdong (CN)
- (72) Inventor: **Zhenren Zou**, Guangdong (CN)
- (73) Assignee: **FINE DRAGON TECHNOLOGY LIMITED**, Shenzhen (CN)
- (**) Term: **15 Years**
- (21) Appl. No.: **29/740,235**
- (22) Filed: **Jul. 1, 2020**
- (51) **LOC (13) Cl.** **15-05**
- (52) **U.S. Cl.**
USPC **D32/18**
- (58) **Field of Classification Search**
USPC D32/17-25, 31-34
CPC A47L 7/00; A47L 9/02; A47L 5/24; A47L 5/26; A47L 5/28; A47L 9/102; A47L 9/1608; A47L 9/1683; A47L 9/2857; A47L 5/30; A47L 9/00; A47L 9/04; A47L 9/0461; A47L 9/06; A47L 9/0488; A47L 11/00; A47L 11/20; A47L 11/32; A47L 11/302; A47L 11/40
See application file for complete search history.

- D501,065 S * 1/2005 Ma D32/18
- D507,385 S * 7/2005 Ma D32/18
- D510,162 S * 9/2005 Ma D32/18
- D514,758 S * 2/2006 Lau D32/18
- D527,501 S * 8/2006 Tai D32/18
- D529,671 S * 10/2006 Yung D32/18
- 8,069,529 B2 * 12/2011 Groff A47L 5/24
15/344
- D734,575 S * 7/2015 Zeng D32/18
- D898,311 S * 10/2020 Smith D32/18
- D924,502 S * 7/2021 Xu D32/18

- (56) **References Cited**
U.S. PATENT DOCUMENTS
4,011,624 A * 3/1977 Proett A47L 5/24
15/344
D247,341 S * 2/1978 Pelly D32/18
D253,452 S * 11/1979 Tack D32/18
D259,618 S * 6/1981 Tack D32/18
D302,876 S * 8/1989 Ikeda D32/18
D315,622 S * 3/1991 deBlois D32/18
D418,262 S * 12/1999 Yuen D32/18
D459,560 S * 6/2002 Lau D32/18
D480,846 S * 10/2003 Ki D32/18
D481,842 S * 11/2003 Tai D32/18

OTHER PUBLICATIONS

Portable Or Car Wet and Dry Vacuum Cleaner (on-line), no date available. Retrieved from Internet Aug. 10, 2021, URL: https://www.alibaba.com/product-detail/9000Pa-Hign-Suction-Power-Than-Bissel_1600075488804.html (2 pages).*

* cited by examiner

Primary Examiner — Kimberly Barnes

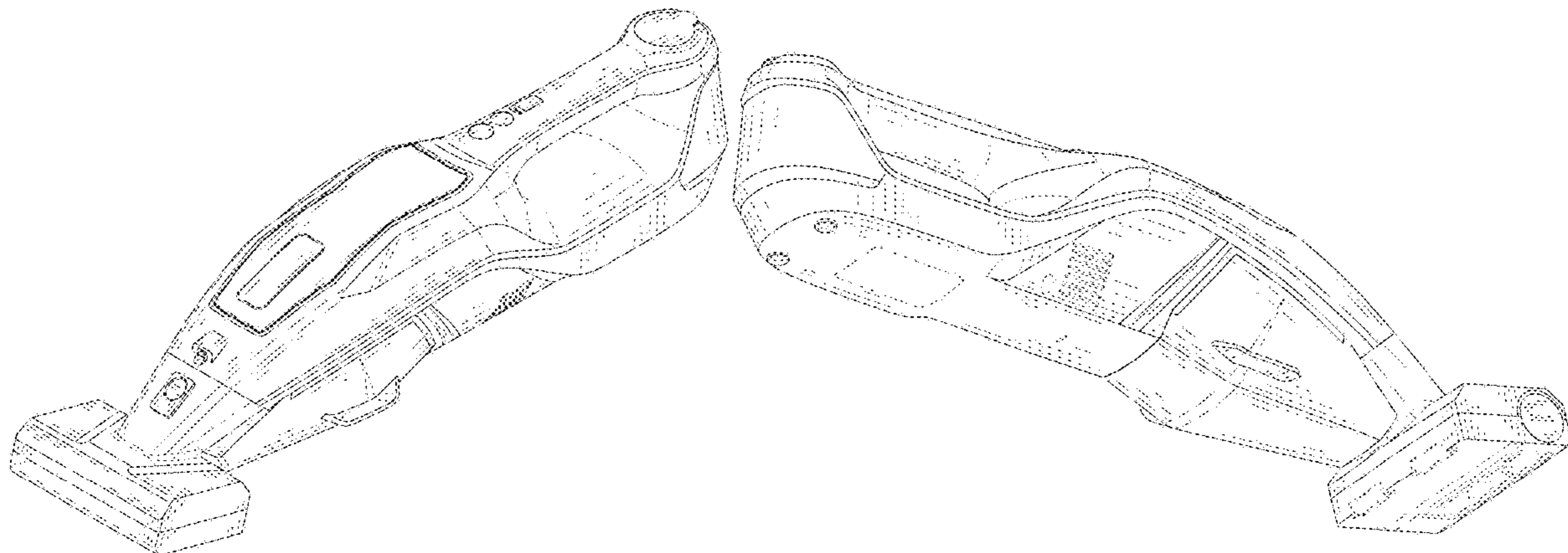
(57) **CLAIM**

The ornamental design for a vacuum cleaner, as shown and described.

DESCRIPTION

FIG. 1 is a top, front and left side perspective view of a vacuum cleaner showing my new design;
FIG. 2 is a bottom, rear and right side perspective view thereof;
FIG. 3 is a front elevational view thereof;
FIG. 4 is a rear elevational view thereof;
FIG. 5 is a left side view thereof;
FIG. 6 is a right side view thereof;
FIG. 7 is a top plan view thereof; and,
FIG. 8 is a bottom plan view thereof.
The broken lines in the drawings illustrate portions of the vacuum cleaner which form no part of the claimed design.

1 Claim, 8 Drawing Sheets



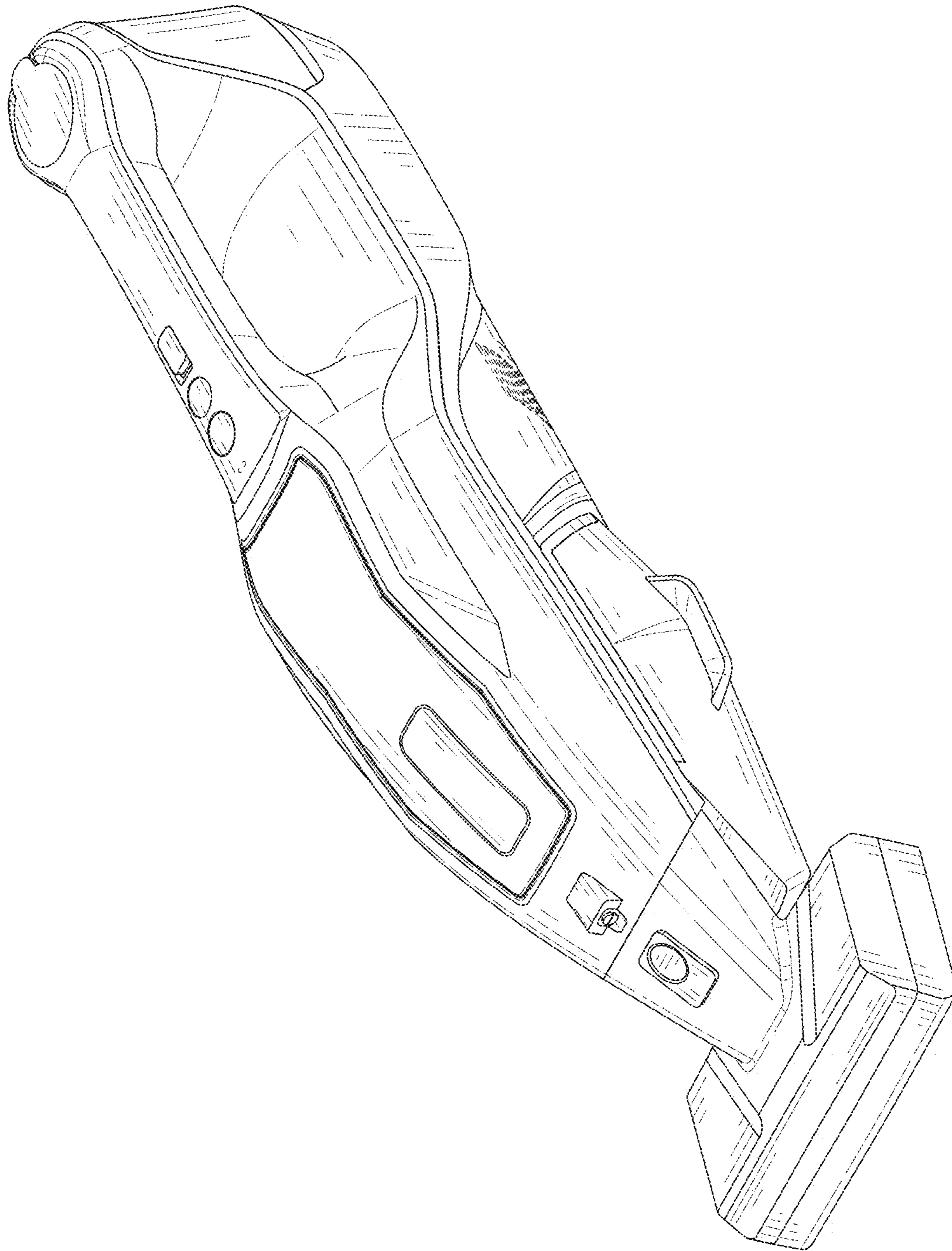


FIG. 1

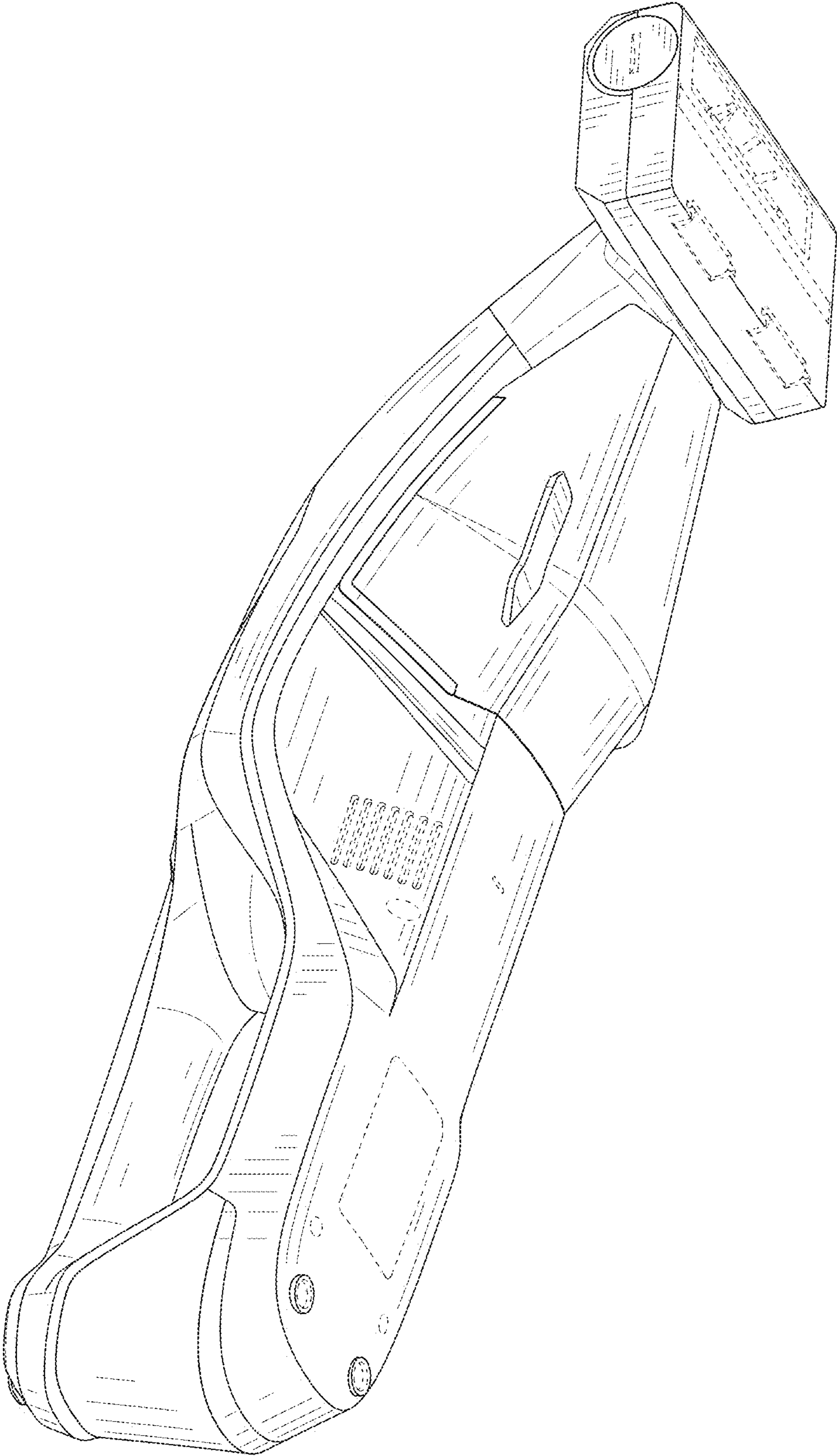


FIG. 2

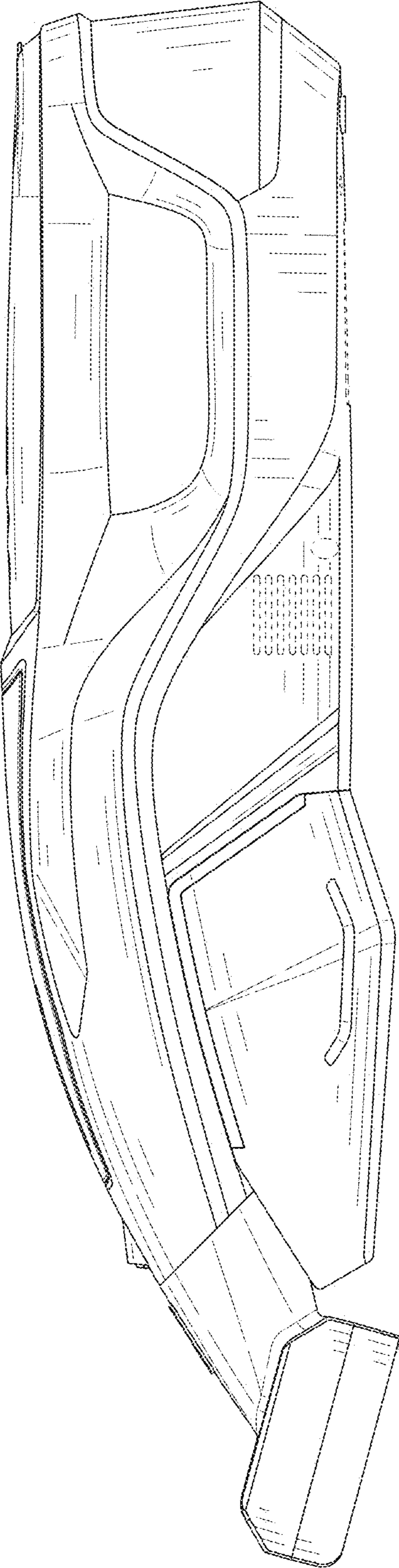


FIG. 3

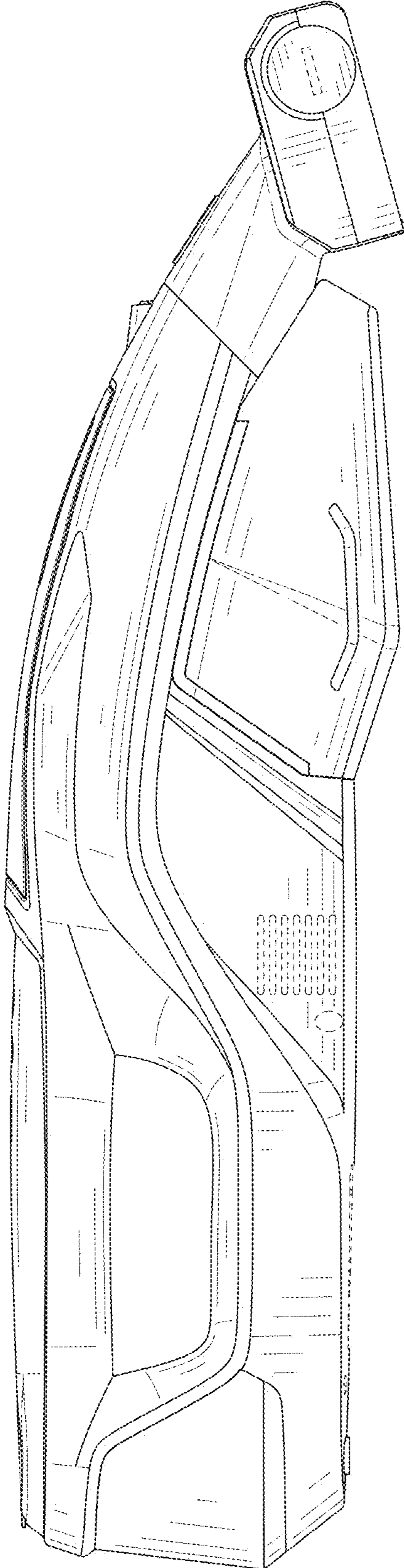


FIG. 4

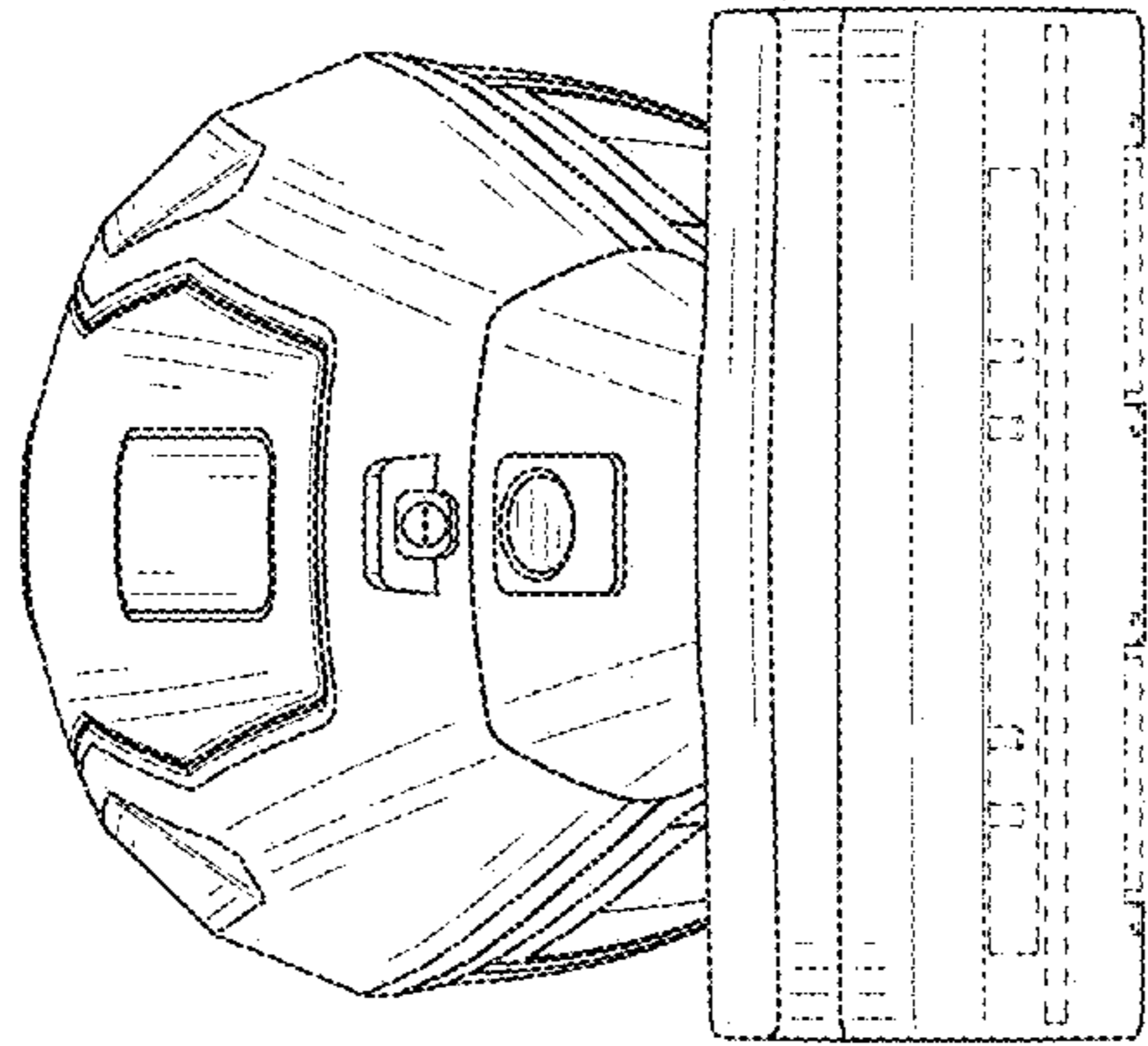


FIG. 5

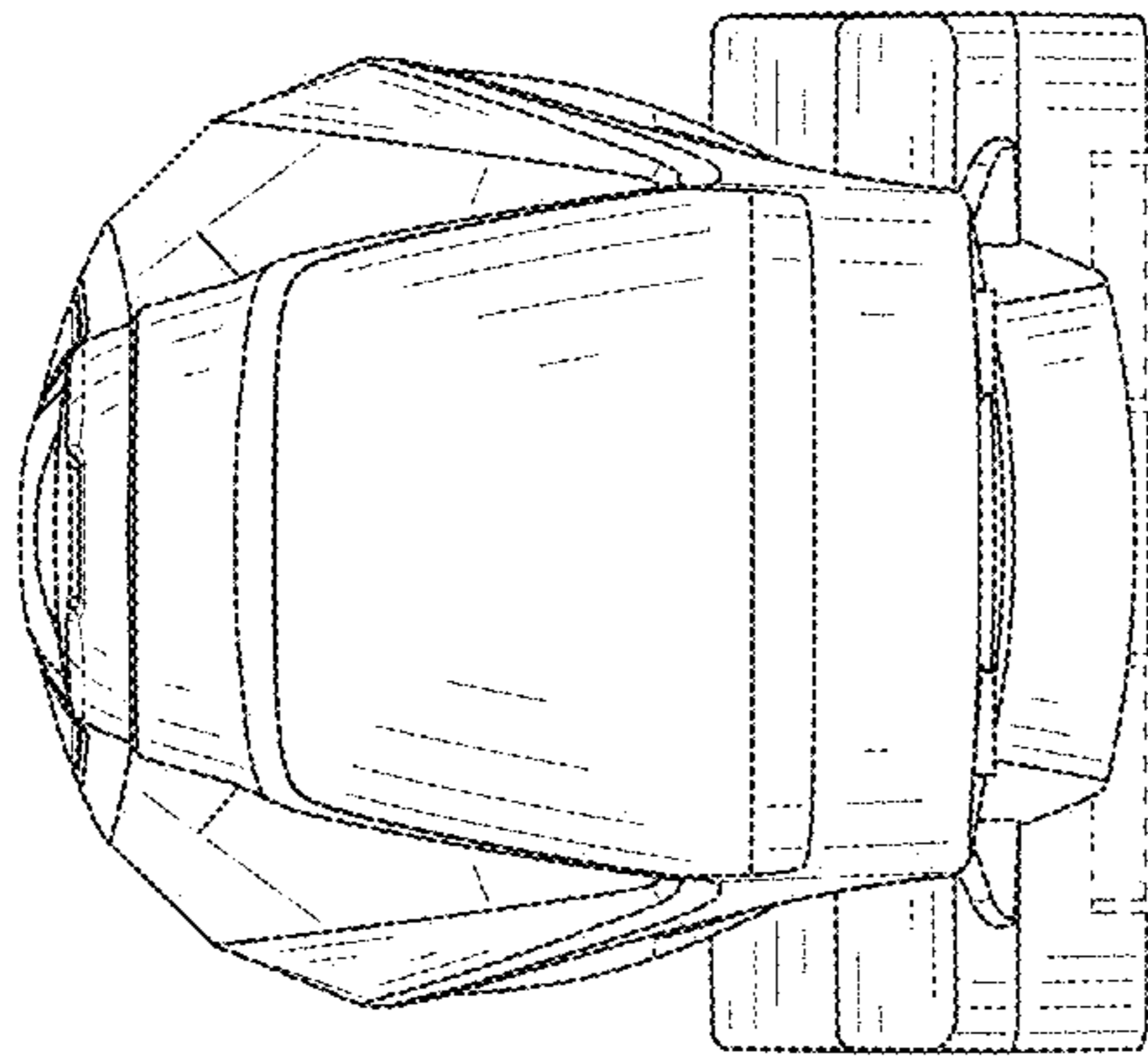


FIG. 6

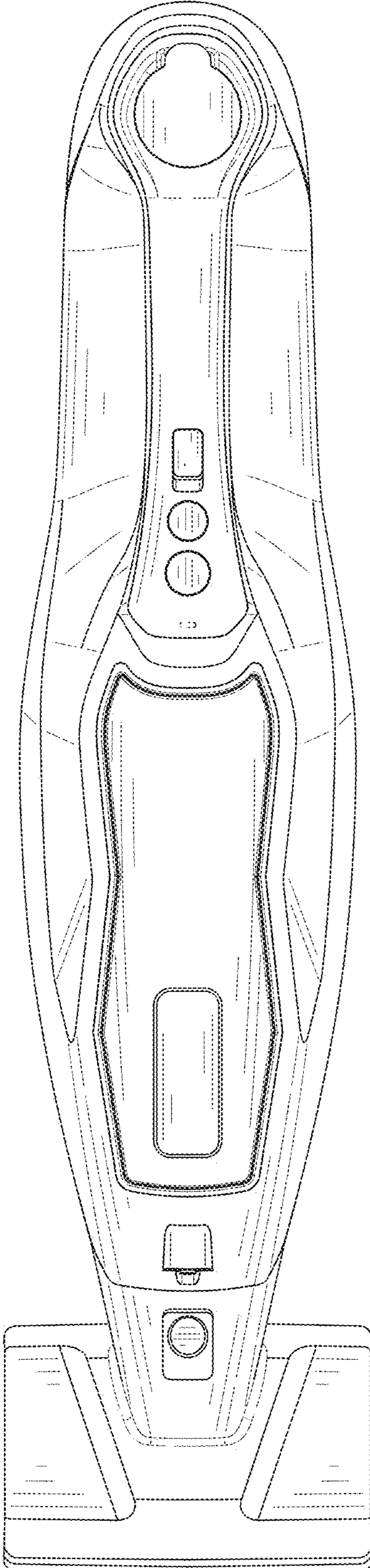


FIG. 7

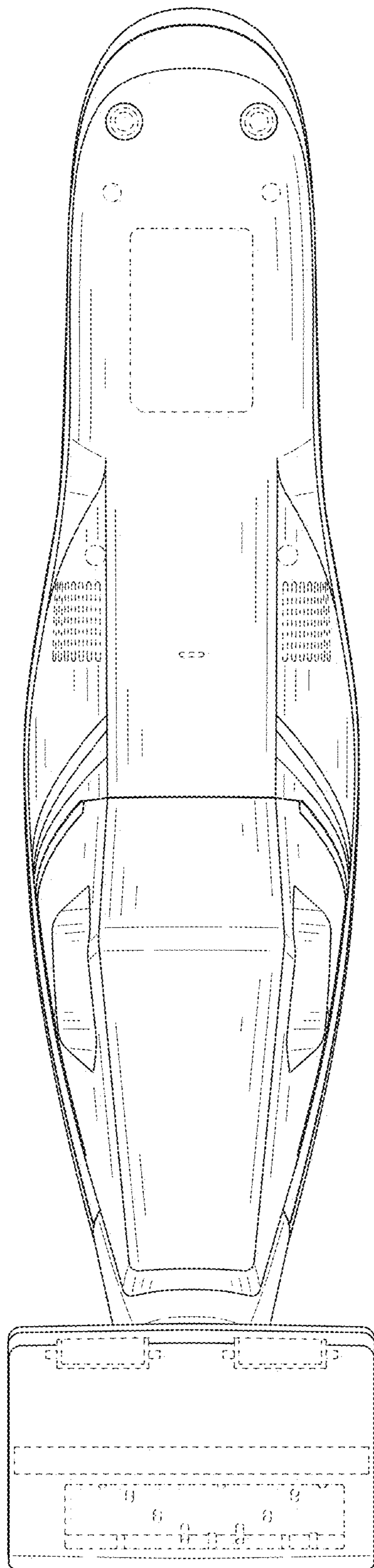


FIG. 8