



US00D936306S

(12) **United States Design Patent** (10) **Patent No.:** **US D936,306 S**
Gutkowski et al. (45) **Date of Patent:** **** Nov. 16, 2021**

(54) **DISHWASHER DOOR AND HANDLE**

Steel-Common-24-in-Actual-23-56-in-ENERGY-STAR/1001042092 (Year: 2019).*

(71) Applicants: **BSH Home Appliances Corporation**, Irvine, CA (US); **BSH Hausgeräte GmbH**, Munich (DE)

(Continued)

(72) Inventors: **William Gutkowski**, Costa Mesa, CA (US); **Thomas Ott**, Neubiberg (DE)

Primary Examiner — Michelle E. Wilson
Assistant Examiner — Richard E Yenchesky
(74) *Attorney, Agent, or Firm* — Michael E. Tschupp; Andre Pallapies; Brandon G. Braun

(73) Assignees: **BSH Home Appliances Corporation**, Irvine, CA (US); **BSH Hausgeräte GmbH**, Munich (DE)

(57) **CLAIM**

(**) Term: **15 Years**

The ornamental design for a dishwasher door and handle, as shown and described.

(21) Appl. No.: **29/741,046**

DESCRIPTION

(22) Filed: **Jul. 9, 2020**

(51) **LOC (13) Cl.** **15-05**

(52) **U.S. Cl.**
USPC **D32/3**

(58) **Field of Classification Search**
USPC D32/2, 3, 25
CPC A47L 15/4265; A47L 15/4257
See application file for complete search history.

FIG. 1 is a front, top perspective view of a dishwasher door and handle showing the new design;
FIG. 2 is a front view thereof;
FIG. 3 is a top view thereof;
FIG. 4 is a left side view thereof, the right side view being a mirror image thereof;
FIG. 5 is an enlarged partial front, bottom perspective view thereof;
FIG. 6 is an enlarged cross section taken along lines 6-6 of FIG. 5; and,
FIG. 7 is an enlarged cross section taken long lines 7-7 of FIG. 5.

(56) **References Cited**

U.S. PATENT DOCUMENTS

D544,657 S *	6/2007	Jung	D32/2
D630,804 S *	1/2011	Ott	D32/3
D665,956 S *	8/2012	Eng	D32/2
D681,290 S *	4/2013	Eng	D32/3
D684,734 S *	6/2013	Eng	D32/3
D692,628 S *	10/2013	Eng	D32/2
D693,070 S *	11/2013	Eng	D32/3
D696,477 S *	12/2013	Eng	D32/3
D698,506 S *	1/2014	Eng	D32/3
D706,502 S *	6/2014	Eng	D32/3

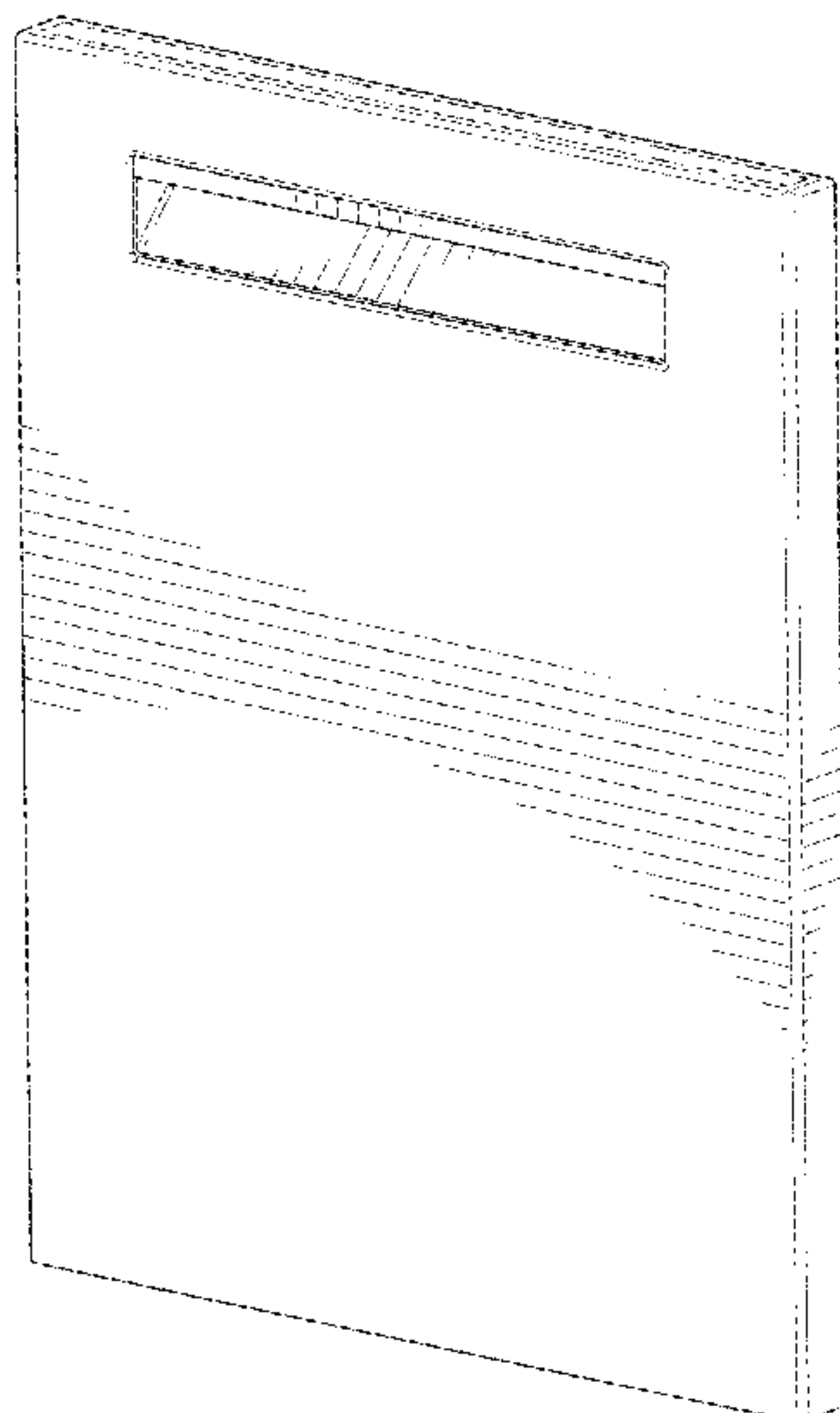
(Continued)

The broken lines shown are included for the purpose of illustrating unclaimed portions of the article and form no part of the claimed design. The dot-dash broken lines in the figures represent an unclaimed boundary line and form no part of the claimed design. The break lines shown in FIGS. 5-7 depict boundaries of the enlarged portion views and form no part of the claimed design. The shading lines shown in the drawings represent the approximate three-dimensional contour of the design, and are not intended to indicate surface decoration. The bottom and rear parts are not part of the claimed design, and so the bottom and rear views have been omitted.

OTHER PUBLICATIONS

Bosch Dishwasher [https://www.lowes.com/pd/Bosch-800-Series-CrystalDry-40-Decibel-Filtration-Built-In-Dishwasher-Stainless-](https://www.lowes.com/pd/Bosch-800-Series-CrystalDry-40-Decibel-Filtration-Built-In-Dishwasher-Stainless-Steel)

1 Claim, 7 Drawing Sheets



(56)

References Cited

U.S. PATENT DOCUMENTS

D706,997	S *	6/2014	Eng	D32/3
D730,593	S *	5/2015	Eng	D32/3
D732,755	S *	6/2015	Roberson	D32/3
D732,761	S *	6/2015	Roberson	D32/3
D734,902	S *	7/2015	Eng	D32/3
D741,031	S *	10/2015	Roberson	D32/3
D756,046	S *	5/2016	Roberson	D32/3
D760,452	S *	6/2016	Roberson	D32/2
D827,952	S *	9/2018	Kim	D32/3
D885,695	S *	5/2020	Kim	D32/3
D887,653	S *	6/2020	Kendall	D32/2
2014/0150286	A1 *	6/2014	Jadhav A47L 15/4257	
					34/443
2020/0060509	A1 *	2/2020	Ponkshe A47L 15/4265	

OTHER PUBLICATIONS

Stainless Dishwasher <https://www.abt.com/Bosch-24-800-Series-Stainless-Steel-Pocket-Handle-Dishwasher-SHPM88Z75N/p/137597.html> (Year: 2020).*

* cited by examiner

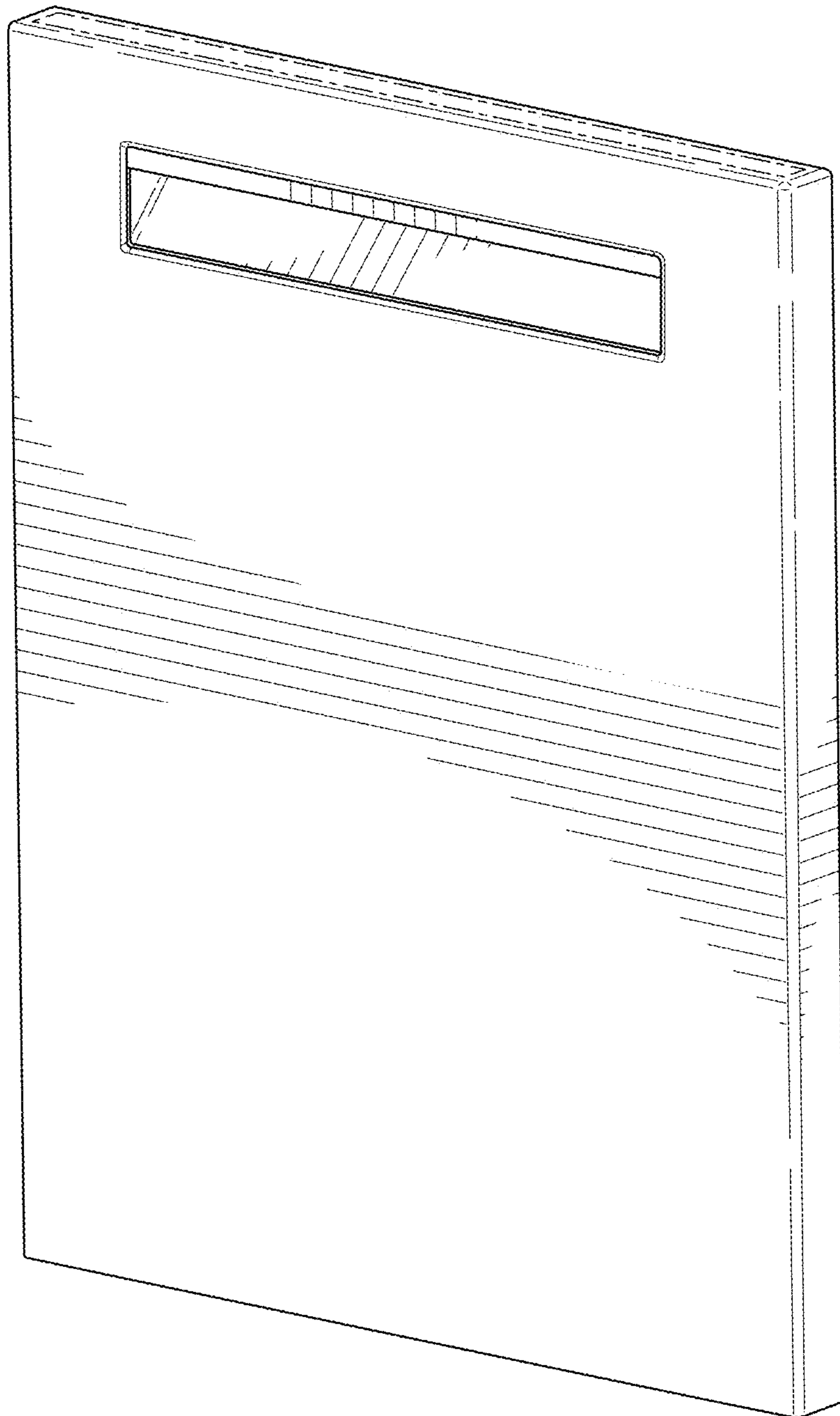


FIG. 1

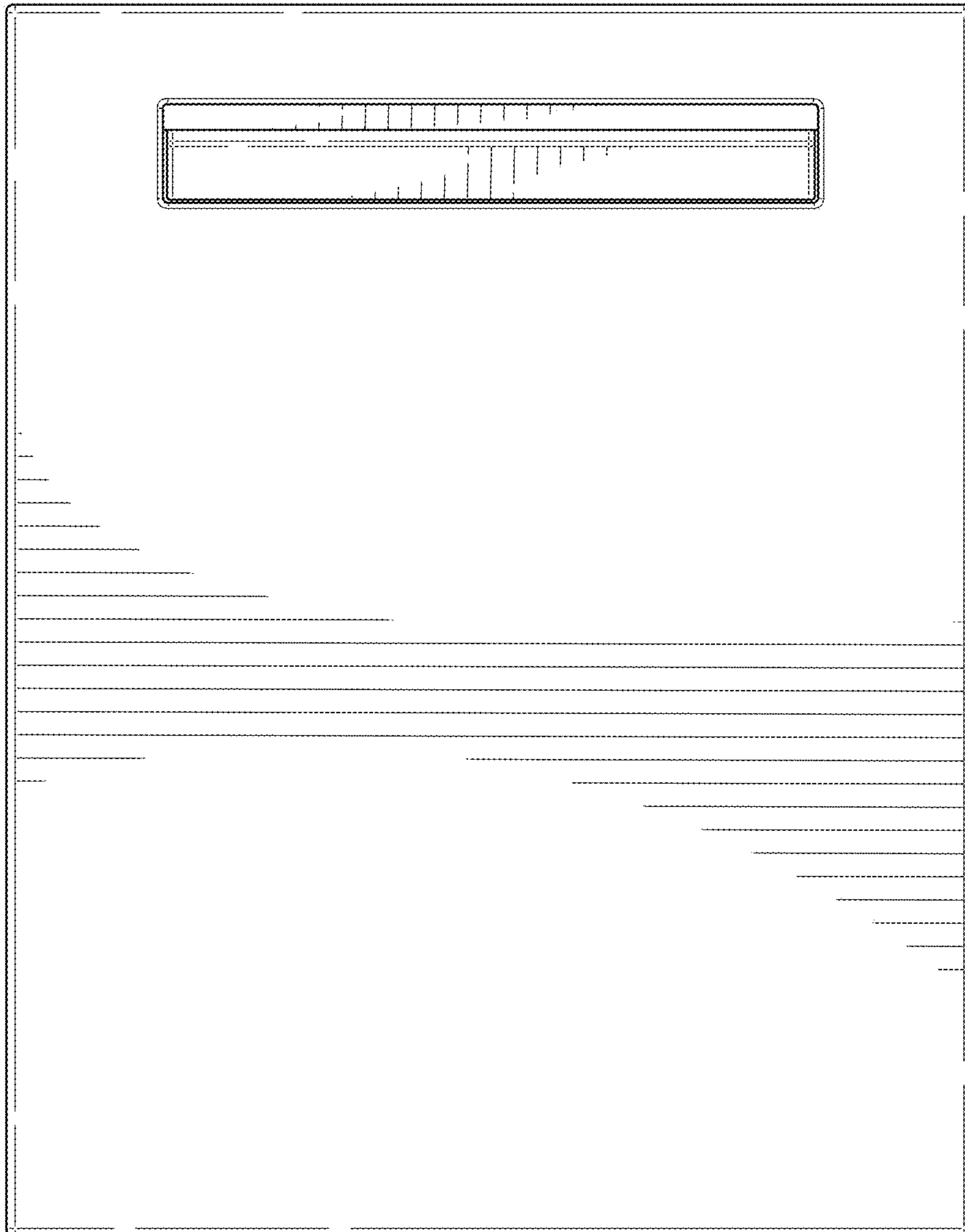


FIG. 2

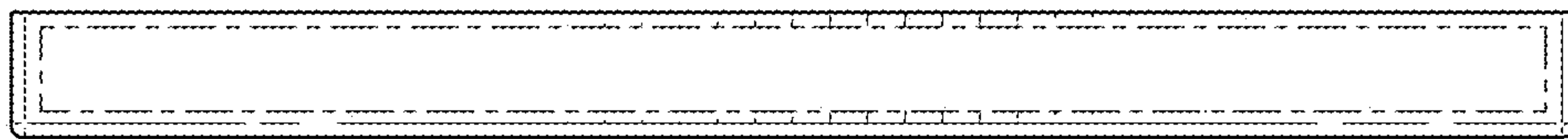


FIG. 3

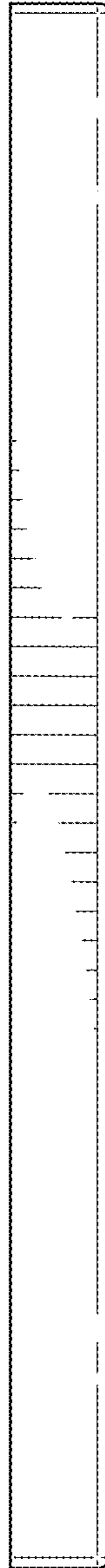


FIG. 4

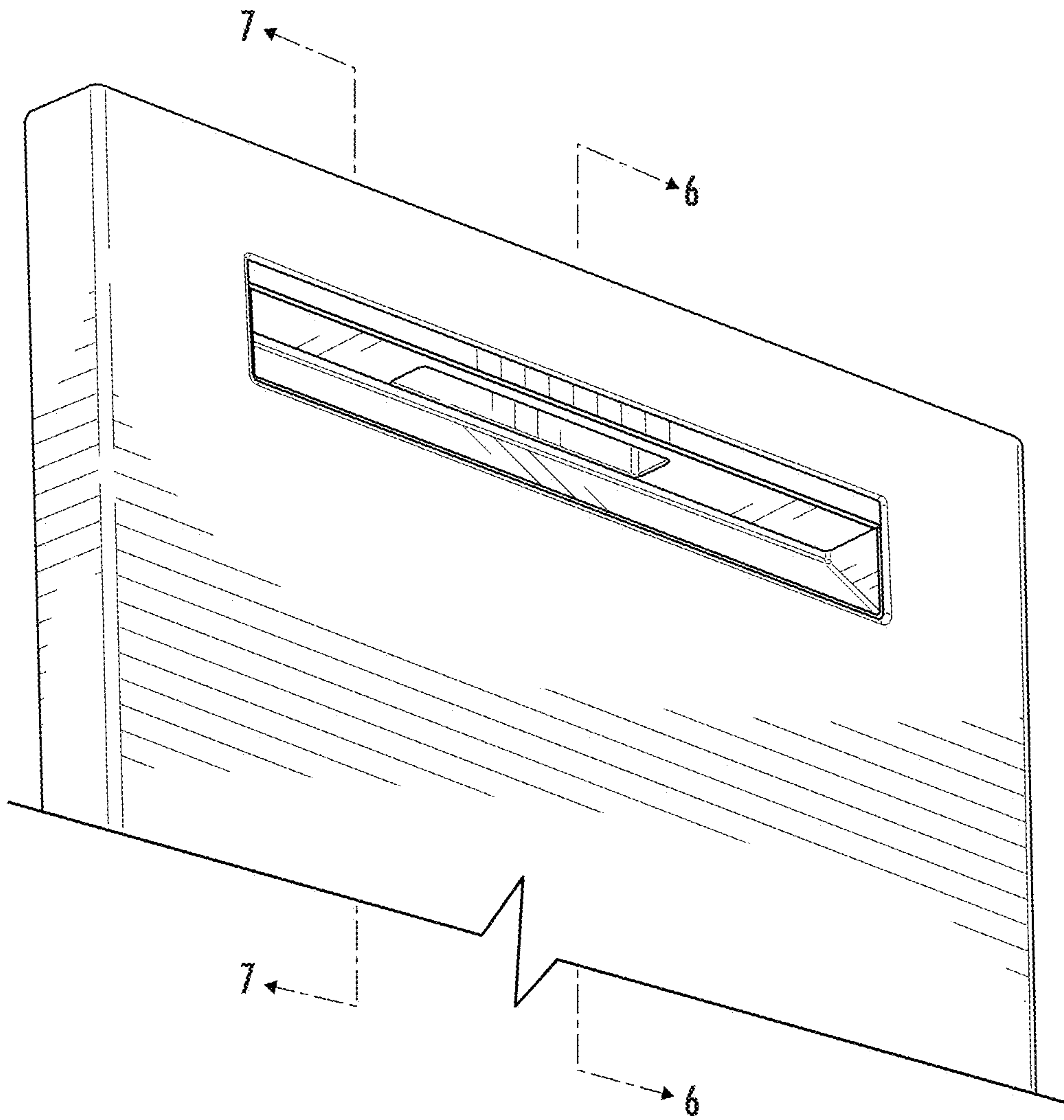


FIG. 5

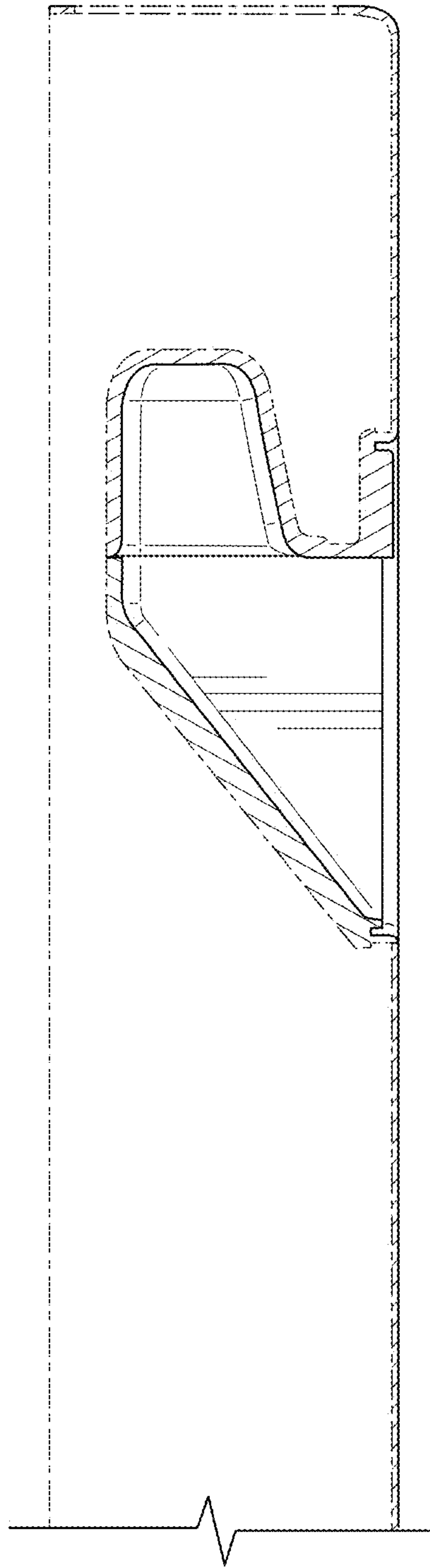


FIG. 6

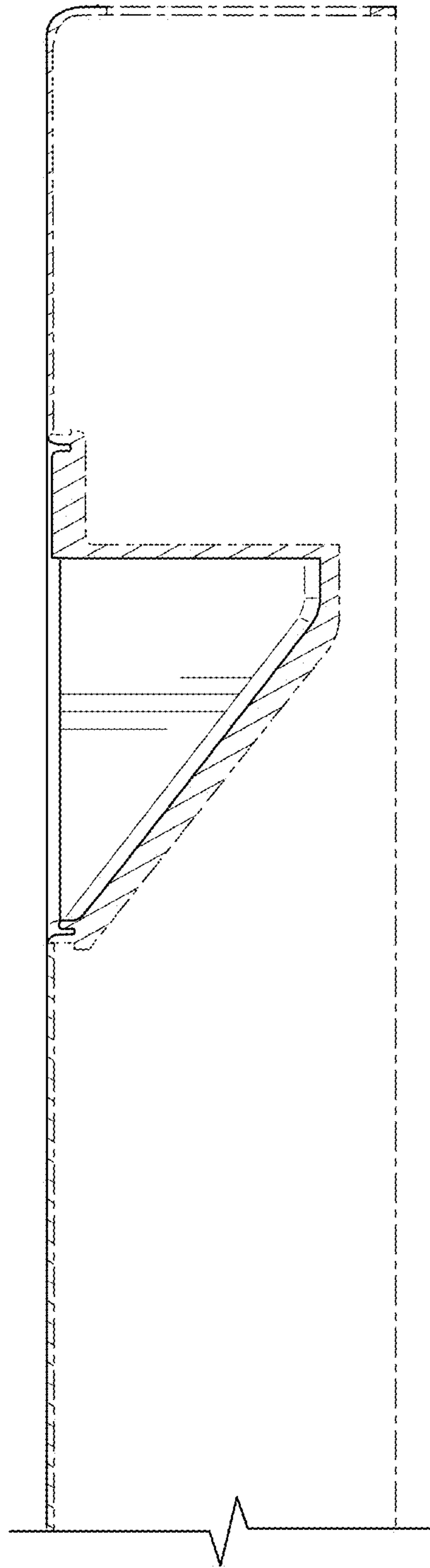


FIG. 7