



US00D936303S

(12) **United States Design Patent** (10) **Patent No.:** **US D936,303 S**
Jiang (45) **Date of Patent:** **** Nov. 16, 2021**

(54) **PET POOP RAKE**

(71) Applicant: **Yan Jiang**, Jiaxing (CN)

(72) Inventor: **Yan Jiang**, Jiaxing (CN)

(**) Term: **15 Years**

(21) Appl. No.: **29/712,503**

(22) Filed: **Nov. 8, 2019**

(51) **LOC (13) Cl.** **30-99**

(52) **U.S. Cl.**
USPC **D30/162**

(58) **Field of Classification Search**

USPC D30/162, 199; 273/447; D8/1, 13, 10,
D8/11, 14, 6; D34/1, 10, 28, 34, 35;
D21/532; D29/124; D7/642, 644, 683,
D7/685, 686, 687, 688; 119/867, 161;
294/1.3-1.5, 19.2, 19.3, 86.4, 86.11,
294/86.19, 86.42, 86.12, 86.17, 86.2,
294/86.21, 86.24, 86.26, 86.32, 87.26,
294/196-198, 210, 111, 49-57; 132/273,
132/277, 283, 284, 128-156, 236, 252,
132/259-263; 15/257.1; 446/424-428,
446/491, 330, 86; 56/400.17, 400.01,
56/400.04-400.11, 400.1, 400.14, 400.16,
56/400.21; 172/371, 373-375, 378, 379,
172/381

CPC A01K 1/01; A01K 23/005; E01H 1/1206;
E01H 1/12; E01H 1/1213; E01H
2001/122; E01H 2001/1226; E01H
2001/1233; E01H 2001/1246; E01H
2001/1293; A63H 17/266; A63H 17/12;
A63H 17/26; A63H 23/005; A63H 23/16;
A63H 33/3044; A63H 33/3072; B25J
1/02; B25J 1/06; A01B 1/20; A01B 1/22;
A01B 1/227; A01D 7/00; A01D 7/02;
A01D 7/04; A01D 7/06; A01D 7/08;
A01D 7/10; A01D 11/00; A01D 11/06;
B25G 1/00; E04D 15/00; E04D 15/003;
E04D 15/006; Y10T 403/40; Y10T
403/46; Y10T 403/7005

See application file for complete search history.

(56) **References Cited**

U.S. PATENT DOCUMENTS

| | | | | | |
|-----------|-----|---------|-------------|-------|------------------------|
| 384,879 | A * | 6/1888 | Tilghman | | A01B 1/20 172/375 |
| 422,783 | A * | 3/1890 | Koch et al. | | A01B 1/20 172/375 |
| 538,146 | A * | 4/1895 | Bailey | | A01B 1/06 172/372 |
| 562,248 | A * | 6/1896 | Scott | | A01B 1/20 172/375 |
| 1,008,873 | A * | 11/1911 | Stults | | A01B 1/20 172/375 |
| 1,136,438 | A * | 4/1915 | Reichard | | A01B 1/20 172/375 |
| 2,268,066 | A * | 12/1941 | Brooke | | A01D 7/06 56/400.05 |
| 2,294,157 | A * | 8/1942 | Brooke | | A01D 7/06 56/400.17 |

(Continued)

Primary Examiner — Susan Moon Lee

(74) *Attorney, Agent, or Firm* — Zhihua Han; Wen IP
LLC

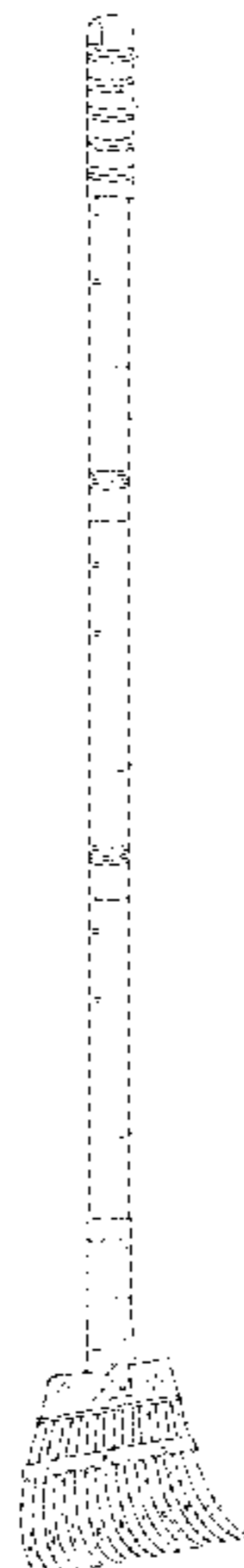
(57) **CLAIM**

I claim the ornamental design for the pet poop rake, as shown and described.

DESCRIPTION

FIG. 1 is a perspective view of a pet poop rake showing my new design;
FIG. 2 is a front elevational view thereof;
FIG. 3 is a rear elevational view thereof;
FIG. 4 is a left side elevational view thereof;
FIG. 5 is a right side elevational view thereof;
FIG. 6 is a top plan view thereof; and,
FIG. 7 is a bottom plan view thereof.
The shade lines in the Figures show contour and not surface ornamentation.

1 Claim, 7 Drawing Sheets



(56)

References Cited

U.S. PATENT DOCUMENTS

| | | | | | | | |
|---------------|---------|------------|-------------------------|-------------------|---------|-------------|-------------------------|
| 2,296,916 A * | 9/1942 | Gamburg | A01B 1/20 172/375 | D402,173 S * | 12/1998 | Woodley | D8/13 |
| 2,304,147 A * | 12/1942 | Brooke | A01D 7/06 56/400.17 | D411,788 S * | 7/1999 | Watson | D8/13 |
| 2,310,322 A * | 2/1943 | Semler | A01D 7/06 56/400.17 | D430,465 S * | 9/2000 | Moore | D8/13 |
| 2,315,021 A * | 3/1943 | Schmidt | A01D 7/02 56/400.17 | D437,462 S * | 2/2001 | Whall | 294/1.4 |
| 2,316,168 A * | 4/1943 | James | A01D 7/06 56/400.17 | D442,039 S * | 5/2001 | Yeh | D8/13 |
| 2,321,489 A * | 6/1943 | Kaufman | A01D 7/06 56/400.17 | 6,272,827 B1 * | 8/2001 | Hsu | A01D 7/10 56/400.12 |
| 2,603,058 A * | 7/1952 | Tokunaga | A01D 7/06 56/400.17 | 6,427,431 B1 * | 8/2002 | Hsu | A01D 7/06 56/400.17 |
| 2,652,279 A * | 9/1953 | Morris | A01D 7/06 294/50.9 | D484,373 S * | 12/2003 | Ross | D8/13 |
| 2,721,439 A * | 10/1955 | Chrunka | A01G 20/40 56/400.17 | D507,944 S * | 8/2005 | Crews | D8/13 |
| 2,746,235 A * | 5/1956 | Kautenberg | A01G 20/40 56/400.17 | 6,983,584 B1 * | 1/2006 | Huang | A01D 7/10 56/400.12 |
| 2,836,032 A * | 5/1958 | Melvin | A01D 7/06 56/400.17 | D545,647 S * | 7/2007 | Fortier | D8/13 |
| 2,847,816 A * | 8/1958 | Yeda | A01D 7/06 56/400.17 | D554,958 S * | 11/2007 | Kelley | D8/13 |
| 2,883,820 A * | 4/1959 | Bissell | A01D 7/06 56/400.17 | D597,805 S * | 8/2009 | Liao | D8/13 |
| 2,999,350 A * | 9/1961 | Dettman | A01D 7/06 56/400.17 | D616,273 S * | 5/2010 | Cohen | D8/13 |
| 3,095,682 A * | 7/1963 | Pasquine | A01D 7/10 56/400.12 | D622,018 S * | 8/2010 | Renner | D32/50 |
| D209,660 S * | 12/1967 | Lind | D30/162 | D679,558 S * | 4/2013 | Margeson | D8/1 |
| 3,364,668 A * | 1/1968 | Scavetto | A01D 7/00 56/400.17 | 8,955,893 B1 * | 2/2015 | Stern | E01H 1/1206 294/1.4 |
| D233,305 S * | 10/1974 | Eads | D8/13 | 9,241,560 B1 * | 1/2016 | Angel | A46B 11/063 |
| 4,057,953 A * | 11/1977 | Rugg | A01D 7/00 56/400.17 | D769,682 S * | 10/2016 | Stein | D8/13 |
| D248,612 S * | 7/1978 | Oas | D8/13 | 9,474,428 B2 * | 10/2016 | Sampaio | A46B 5/0095 |
| 4,185,448 A * | 1/1980 | Blanco | A01D 7/10 294/50.9 | D782,887 S * | 4/2017 | Karp | D8/6 |
| 4,212,150 A * | 7/1980 | Dmochowski | A01B 1/20 172/375 | D793,188 S * | 8/2017 | Boone | D8/13 |
| 4,480,431 A * | 11/1984 | Beaudoin | A01D 7/06 56/400.17 | D794,403 S * | 8/2017 | Boone | D8/13 |
| D297,101 S * | 8/1988 | Licht | 294/50.8 | D807,594 S * | 1/2018 | Maddox | D30/162 |
| D298,907 S * | 12/1988 | Bonnes | D8/13 | 9,920,495 B1 * | 3/2018 | Filmer | E01H 1/1206 |
| 4,831,815 A * | 5/1989 | Bonnes | A01D 7/06 56/400.17 | D827,400 S * | 9/2018 | Niswonger | D8/15 |
| 4,901,801 A * | 2/1990 | Popivalo | A01B 1/20 172/375 | D854,761 S * | 7/2019 | Filmer | D30/162 |
| D314,122 S * | 1/1991 | Licht | 294/50.8 | D860,550 S * | 9/2019 | Filmer | D30/162 |
| 4,996,834 A * | 3/1991 | Geist | A01D 7/00 294/53.5 | 10,472,782 B1 * | 11/2019 | Li | E01H 1/1206 |
| D331,353 S * | 12/1992 | Valentine | D8/13 | D875,339 S * | 2/2020 | Tullney | D32/51 |
| 5,177,947 A * | 1/1993 | Sun | A01D 7/06 56/400.17 | 10,577,765 B2 * | 3/2020 | Fulbrook | E01H 1/1206 |
| 5,182,899 A * | 2/1993 | Sun | A01D 7/06 56/400.17 | D903,211 S * | 11/2020 | Gao | D30/162 |
| 5,241,812 A * | 9/1993 | Crippen | A01D 7/06 56/400.05 | D908,297 S * | 1/2021 | Carriere | D32/35 |
| D341,756 S * | 11/1993 | Bass | D8/13 | 10,927,517 B2 * | 2/2021 | Fulbrook | E01H 1/1206 |
| D350,052 S * | 8/1994 | Sun | D8/13 | 2002/0139101 A1 * | 10/2002 | Crites | A01D 7/10 56/400.12 |
| D361,245 S * | 8/1995 | Altergott | D8/13 | 2003/0159841 A1 * | 8/2003 | Hall | A01B 1/08 172/375 |
| 5,459,988 A * | 10/1995 | Glaser | A01D 7/10 56/400.12 | 2004/0088962 A1 * | 5/2004 | Nam | A01D 7/00 56/400.12 |
| 5,562,318 A * | 10/1996 | McBroom | A01K 1/0114 294/1.4 | 2004/0164568 A1 * | 8/2004 | Diehl | A01K 23/005 294/1.4 |
| 5,564,267 A * | 10/1996 | Bricker | A01D 7/10 294/50.8 | 2005/0188669 A1 * | 9/2005 | Tedesco | A01D 11/06 56/400.04 |
| D386,051 S * | 11/1997 | Cuzzi | D8/6 | 2005/0193710 A1 * | 9/2005 | Shen | A01D 7/10 56/400.12 |
| D391,132 S * | 2/1998 | Gandee | D8/13 | 2006/0123575 A1 * | 6/2006 | Maloney | A47L 13/24 15/144.1 |
| | | | | 2006/0196162 A1 * | 9/2006 | Iaizzo | B25G 1/102 56/400.12 |
| | | | | 2007/0084178 A1 * | 4/2007 | Stevens | A01D 7/10 56/400.12 |
| | | | | 2007/0240268 A1 * | 10/2007 | Le | A47L 13/20 15/98 |
| | | | | 2009/0058114 A1 * | 3/2009 | Diehl | E01H 1/1206 294/1.4 |
| | | | | 2013/0062081 A1 * | 3/2013 | Gerent | A01B 1/22 172/378 |
| | | | | 2013/0146319 A1 * | 6/2013 | Truex | A01B 1/20 172/378 |
| | | | | 2014/0190142 A1 * | 7/2014 | Saxton | A01D 7/00 56/400.05 |
| | | | | 2014/0345892 A1 * | 11/2014 | Cacela | A01B 1/12 172/378 |
| | | | | 2015/0296705 A1 * | 10/2015 | Urrutia | A01D 7/10 56/400.12 |
| | | | | 2018/0058025 A1 * | 3/2018 | Filmer | E01H 1/1206 |
| | | | | 2018/0184582 A1 * | 7/2018 | Orlos | A01D 7/08 |
| | | | | 2018/0317735 A1 * | 11/2018 | Dobson, III | A47L 13/52 |

* cited by examiner

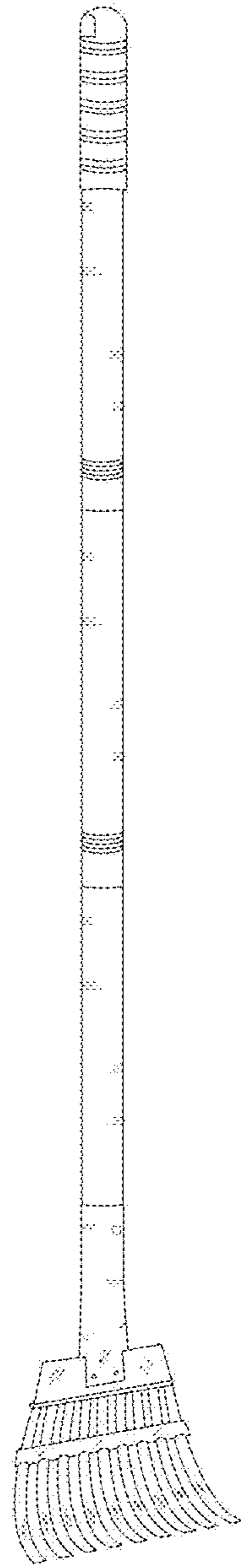


FIG. 1

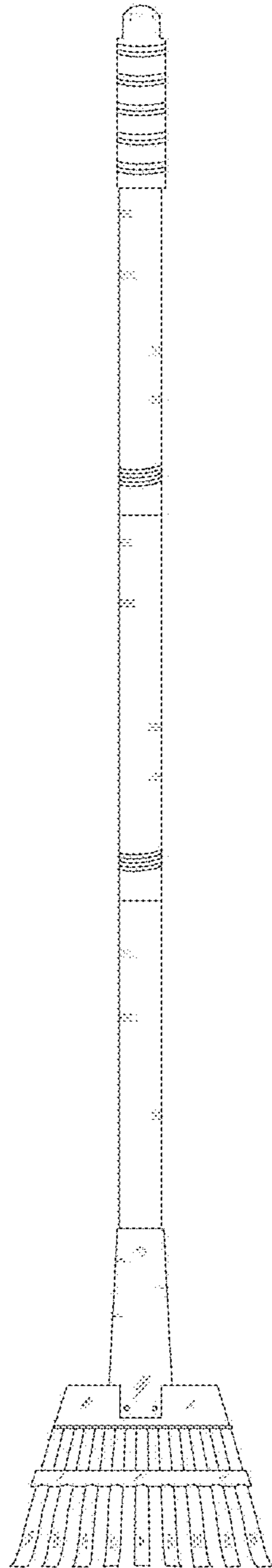


FIG. 2

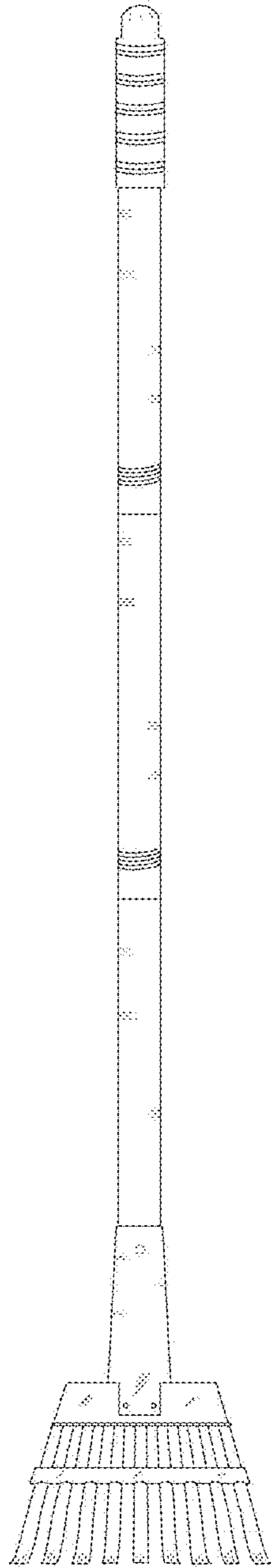


FIG. 3

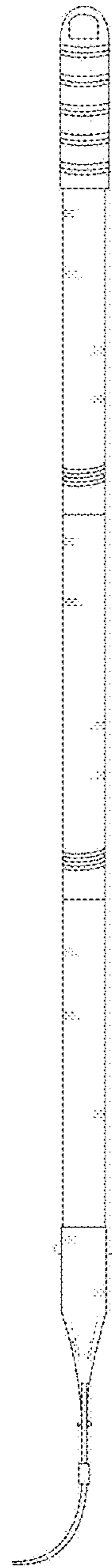


FIG. 4

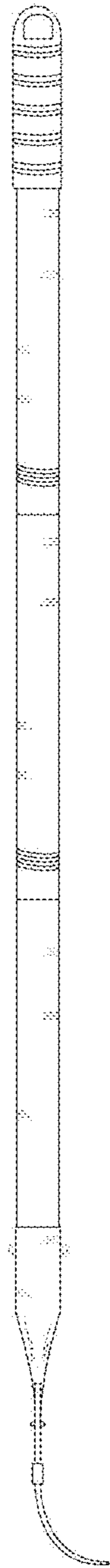


FIG. 5

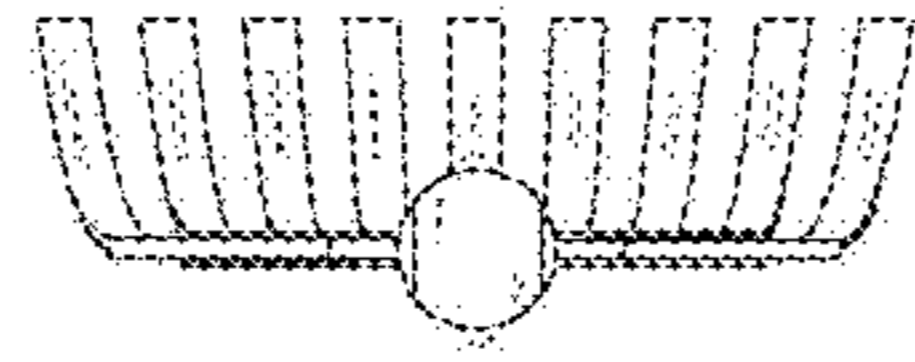


FIG. 6

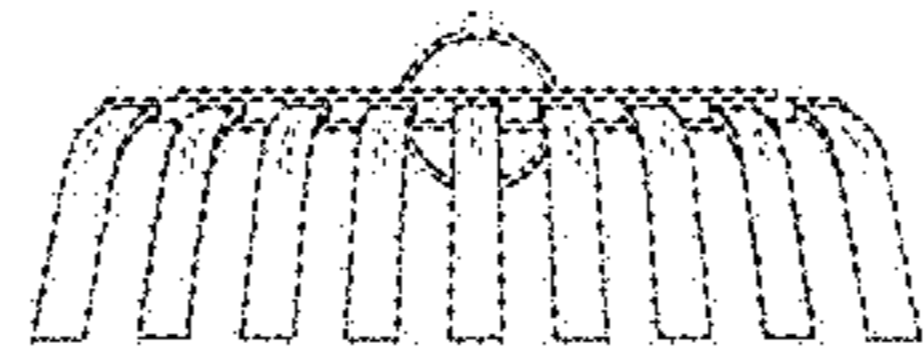


FIG. 7